

US00D656293S

(12) **United States Design Patent**  
**Kazaoka et al.**

(10) **Patent No.:** **US D656,293 S**  
(45) **Date of Patent:** **\*\* Mar. 20, 2012**

(54) **FORKLIFT TRUCK**

(75) Inventors: **Naoki Kazaoka**, Tokyo (JP); **Mitsuaki Matsukuma**, Tokyo (JP); **Ryota Adachi**, Tokyo (JP)

(73) Assignee: **Mitsubishi Heavy Industries, Ltd.**, Tokyo (JP)

(\*\*) Term: **14 Years**

(21) Appl. No.: **29/398,221**

(22) Filed: **Jul. 28, 2011**

(51) **LOC (9) Cl.** ..... **12-05**

(52) **U.S. Cl.** ..... **D34/35**

(58) **Field of Classification Search** ..... D34/34;  
187/222, 238, 237; 414/572, 592, 631, 785,  
414/640; 180/89.12, 89.13, 89.17  
See application file for complete search history.

(56) **References Cited**

**U.S. PATENT DOCUMENTS**

D242,337 S *	11/1976	De Priester et al. ....	D34/37
D369,010 S *	4/1996	Soederberg .....	D34/34
D396,928 S *	8/1998	Hahn et al. ....	D34/34
D441,936 S *	5/2001	Brandt et al. ....	D34/28
D570,575 S *	6/2008	Stark .....	D34/34

D576,775 S *	9/2008	Buchmann et al. ....	D34/35
D612,563 S *	3/2010	Stark .....	D34/34
D613,474 S *	4/2010	Yakushi .....	D34/34
D649,322 S *	11/2011	Bartlett et al. ....	D34/35

\* cited by examiner

*Primary Examiner* — Cynthia Ramirez

(74) *Attorney, Agent, or Firm* — Birch, Stewart, Kolasch & Birch, LLP

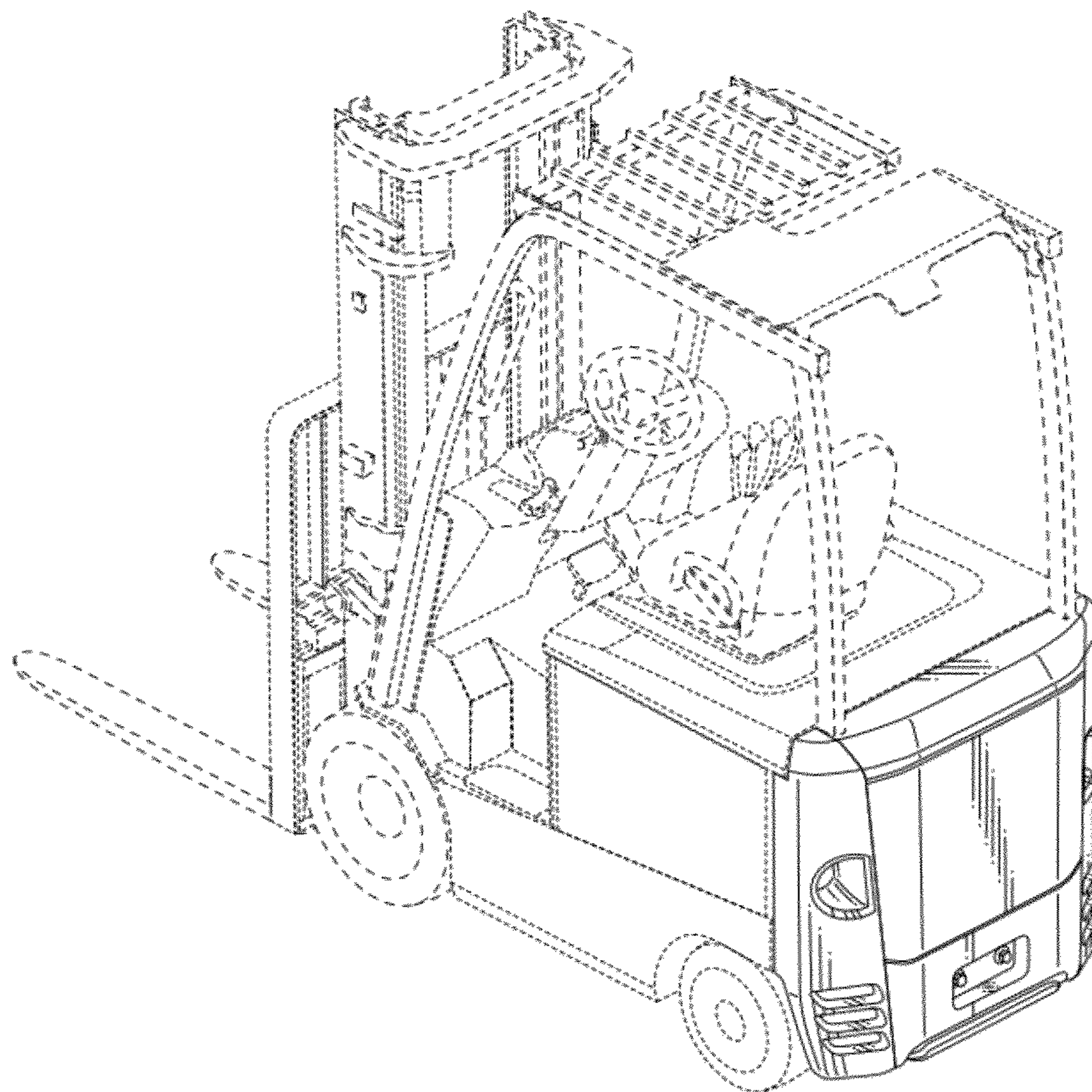
(57) **CLAIM**

The ornamental design for a forklift truck, as shown and described.

**DESCRIPTION**

FIG. 1 is a perspective view of a forklift truck in accordance with our invention;  
FIG. 2 is a right side elevation view thereof;  
FIG. 3 is a left side elevation view thereof;  
FIG. 4 is a front elevation view thereof;  
FIG. 5 is a rear elevation view thereof;  
FIG. 6 is a top plan view thereof; and,  
FIG. 7 is a bottom plan view thereof.  
The portions of the forklift truck shown in broken lines are for the purpose of showing environmental structure only and form no part of the claimed design.

**1 Claim, 7 Drawing Sheets**



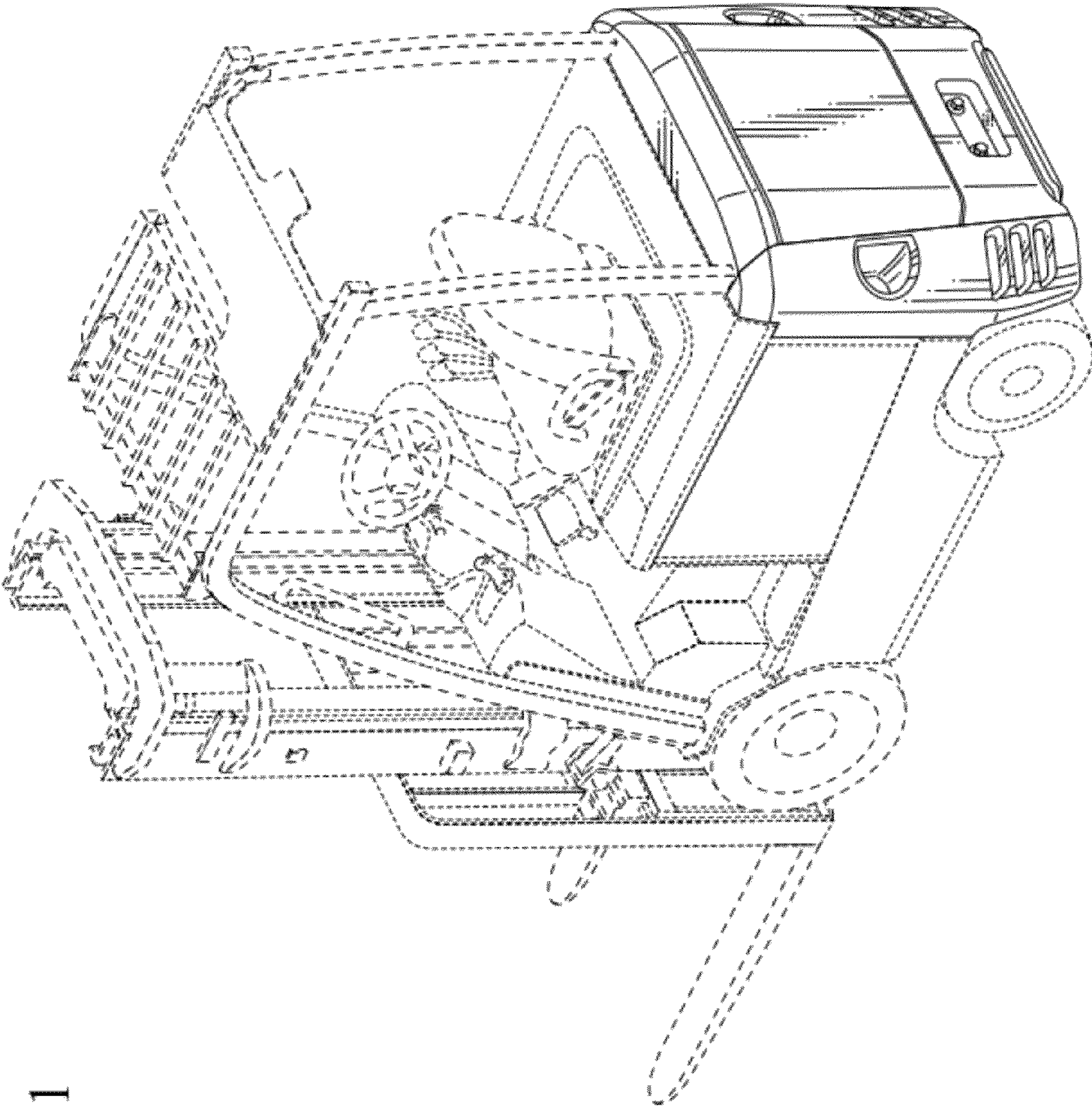


FIG. 1

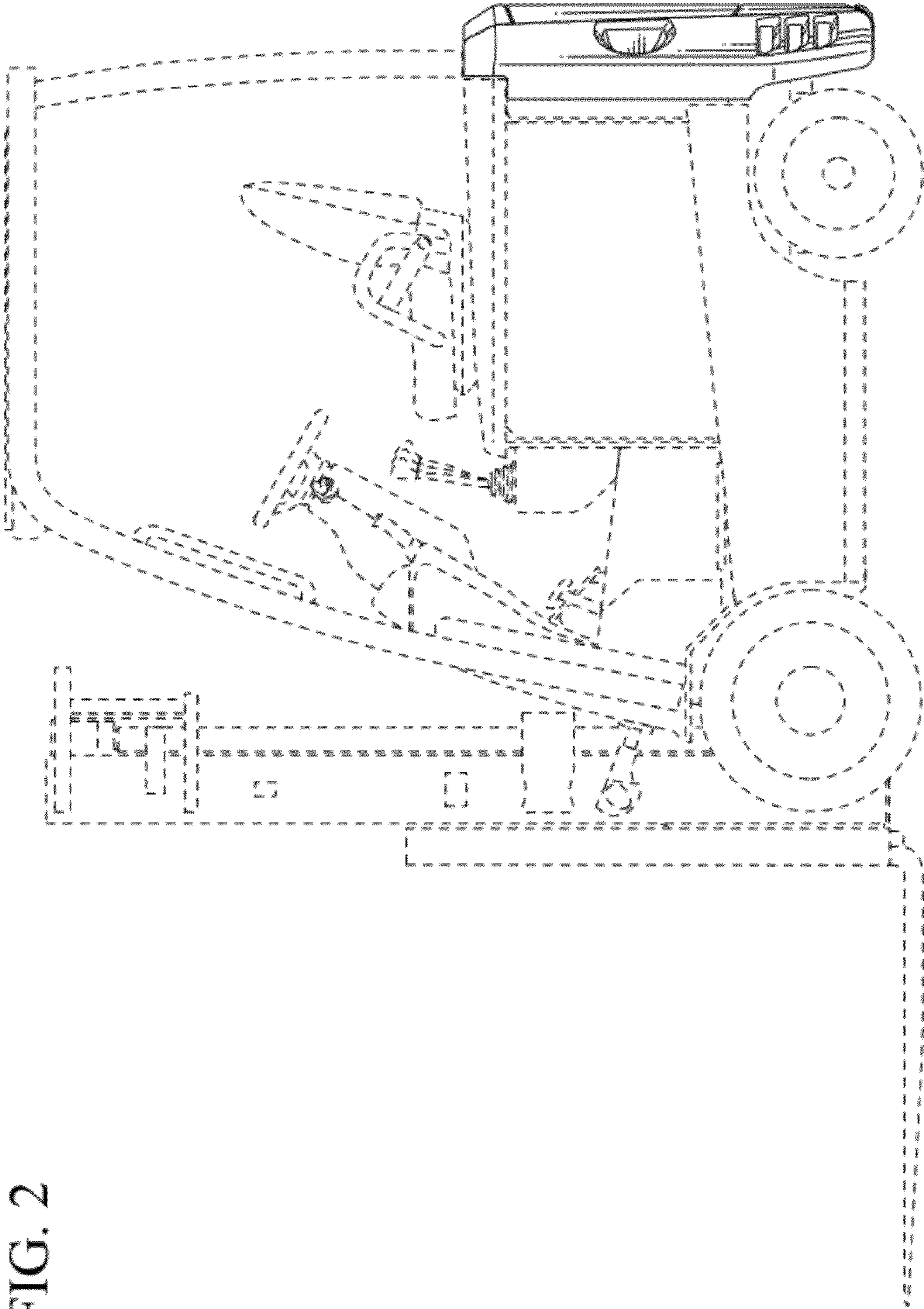
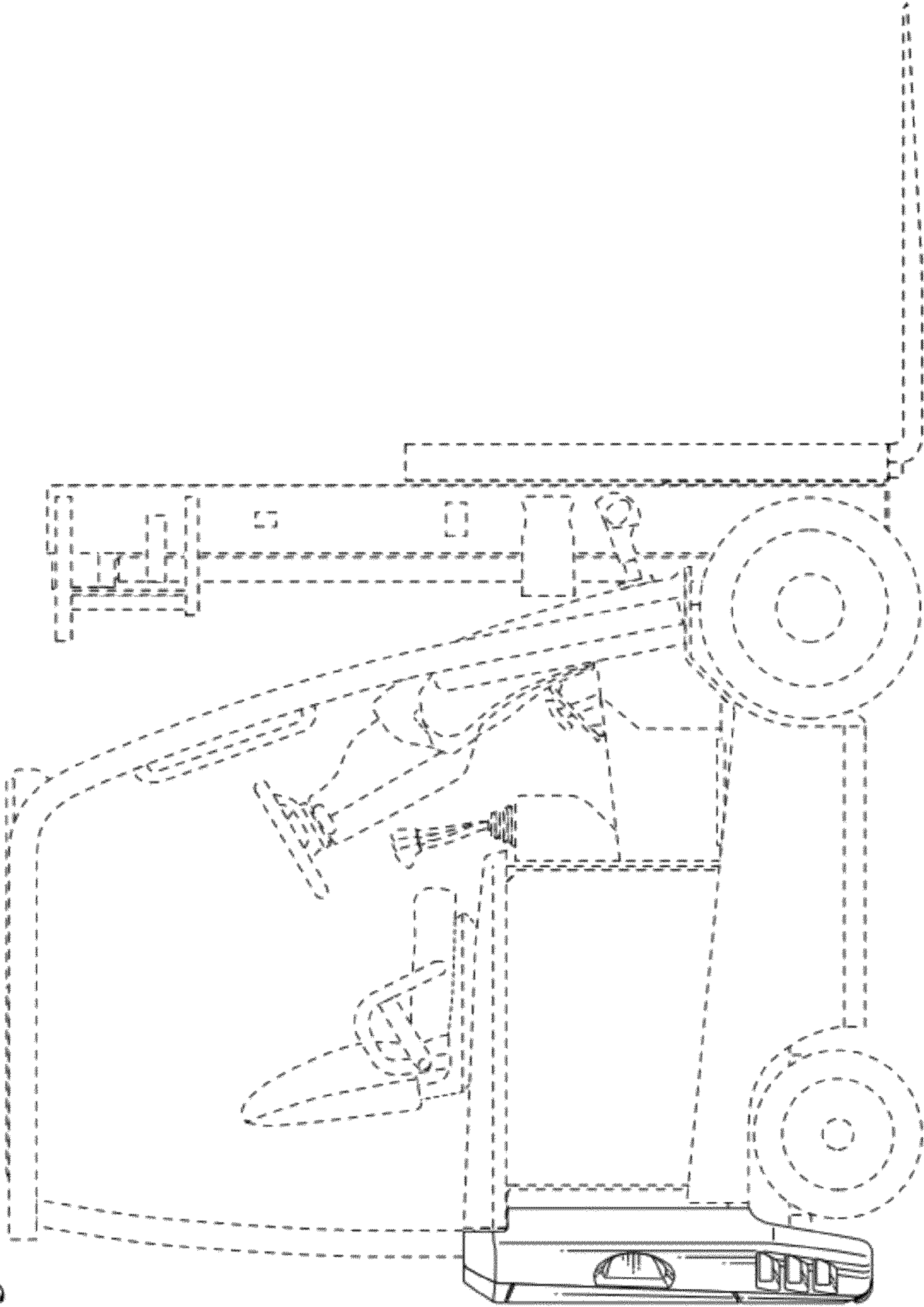


FIG. 2

FIG. 3



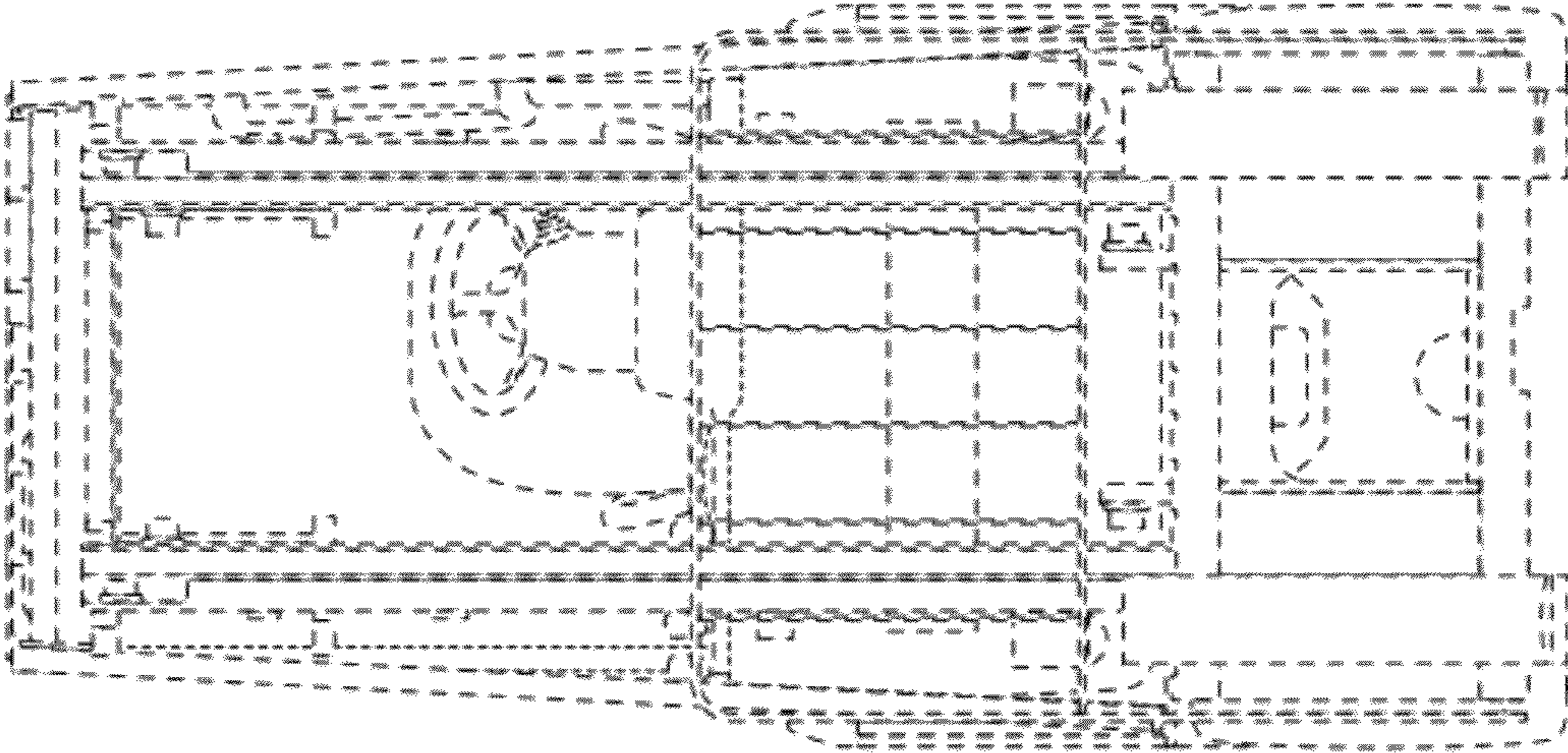


FIG. 4

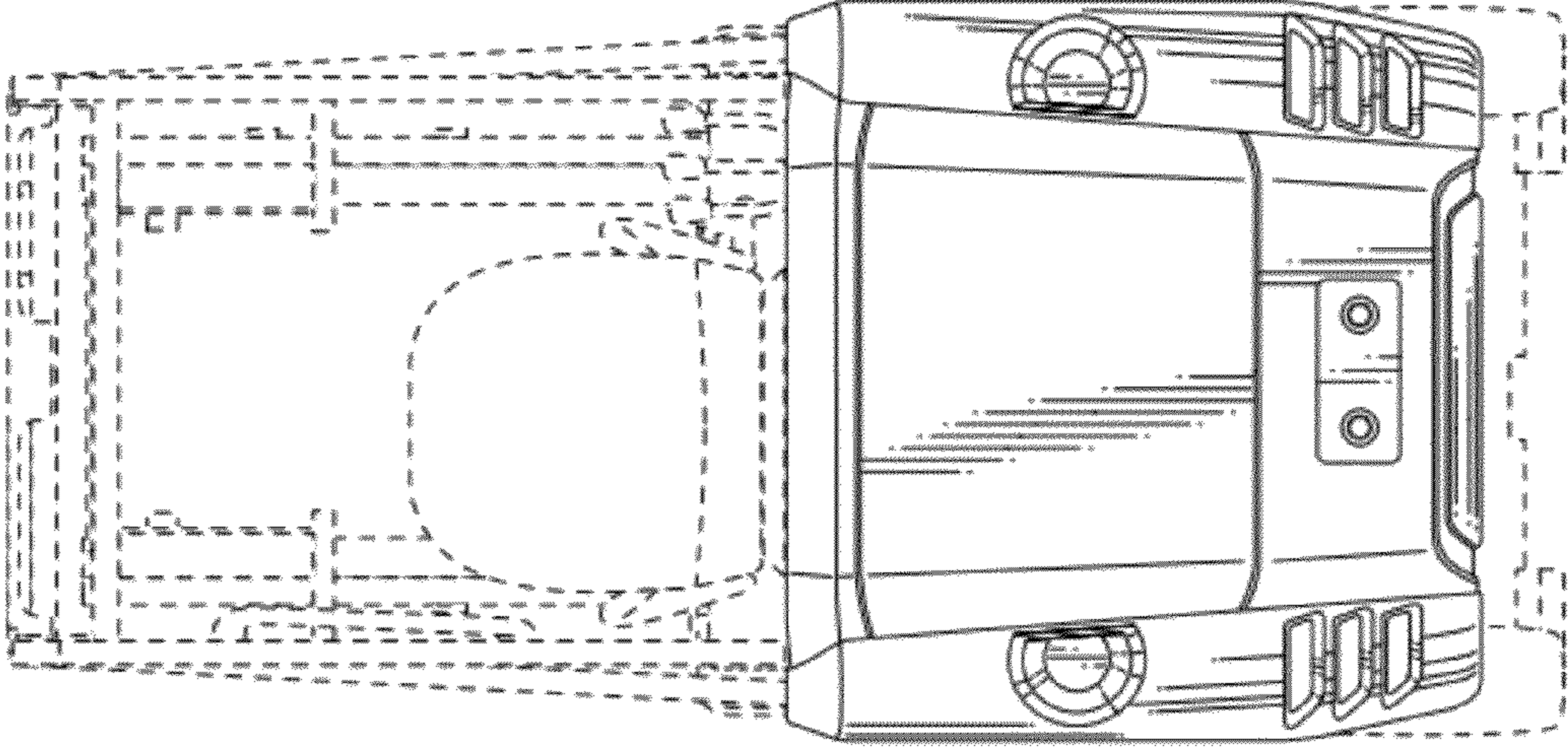


FIG. 5

FIG. 6

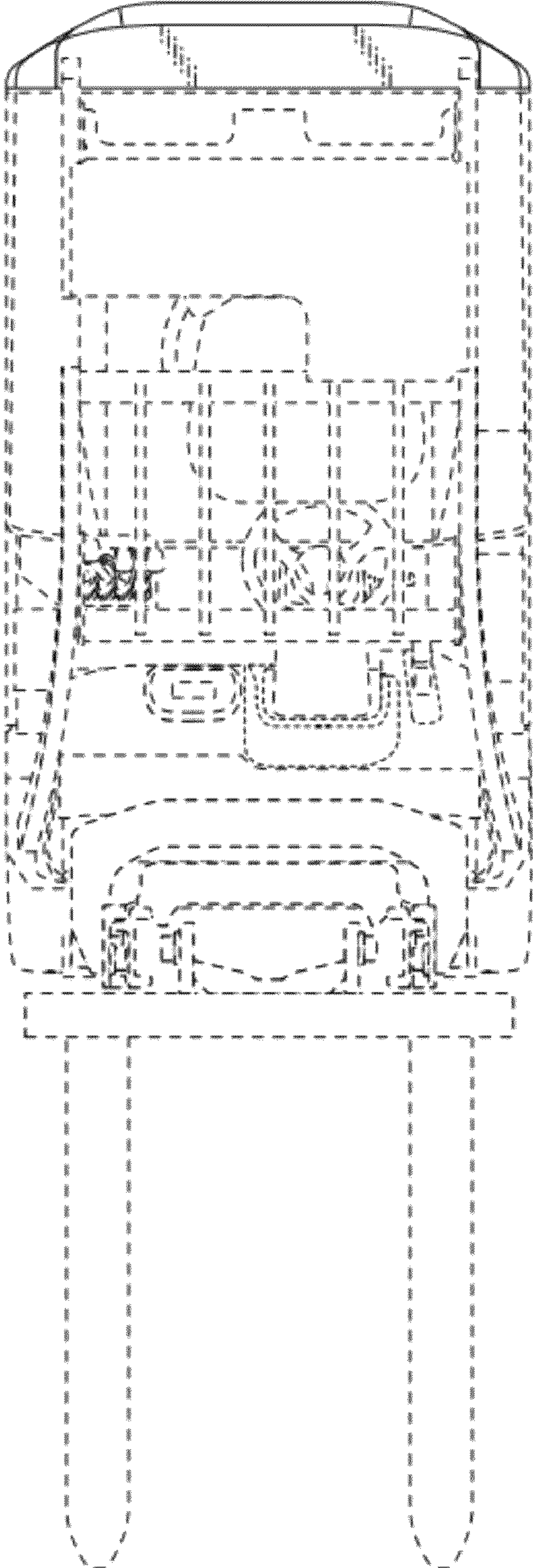


FIG. 7

