



US00D656291S

(12) **United States Design Patent**  
**Zhang et al.**

(10) **Patent No.:** **US D656,291 S**  
(45) **Date of Patent:** **\*\* Mar. 20, 2012**

(54) **ROUGH TERRAIN CRANE**  
(75) Inventors: **Jianjun Zhang**, Changsha (CN); **Rong Liu**, Changsha (CN); **Yangchen Lu**, Changsha (CN)  
(73) Assignee: **Changsha Zoomlion Heavy Industry Science and Technology Development Co., Ltd.**, Changde (CN)

D251,239 S \* 3/1979 Grove ..... D34/34  
D251,240 S \* 3/1979 Grove ..... D34/34  
D255,890 S \* 7/1980 Wilkes et al. .... D34/34  
D272,955 S \* 3/1984 Dowrick et al. .... D34/34  
D277,794 S \* 2/1985 Lanphere et al. .... D34/34  
D335,740 S \* 5/1993 Fujimoto et al. .... D34/34  
D348,135 S \* 6/1994 Goto et al. .... D34/34  
D348,967 S \* 7/1994 Goto et al. .... D34/34  
5,478,192 A \* 12/1995 Bentivoglio ..... 414/718

\* cited by examiner

(\*\*) Term: **14 Years**

*Primary Examiner* — Mark Goodwin

(21) Appl. No.: **29/389,640**

(74) *Attorney, Agent, or Firm* — Morris Manning & Martin LLP; Tim Tingkang Xia, Esq.

(22) Filed: **Apr. 14, 2011**

(57) **CLAIM**

(30) **Foreign Application Priority Data**

The ornamental design for a rough terrain crane, as shown and described.

Nov. 3, 2010 (CN) ..... 2010 3 0591923

**DESCRIPTION**

(51) **LOC (9) Cl.** ..... **12-05**  
(52) **U.S. Cl.** ..... **D34/34; D34/33**  
(58) **Field of Classification Search** ..... D15/10,  
D15/22-26; D34/28, 33, 34; 212/180, 260,  
212/261; 173/28, 38, 186; 414/563  
See application file for complete search history.

FIG. 1 is a perspective view of a rough terrain crane showing our new design;  
FIG. 2 is a left side elevational view thereof;  
FIG. 3 is a right side elevational view thereof;  
FIG. 4 is a front side elevational view thereof;  
FIG. 5 is a rear side elevational view thereof;  
FIG. 6 is a top plan view thereof;  
FIG. 7 is a bottom plan view thereof; and,  
FIG. 8 is a right side elevational view showing the boom of the crane extended.

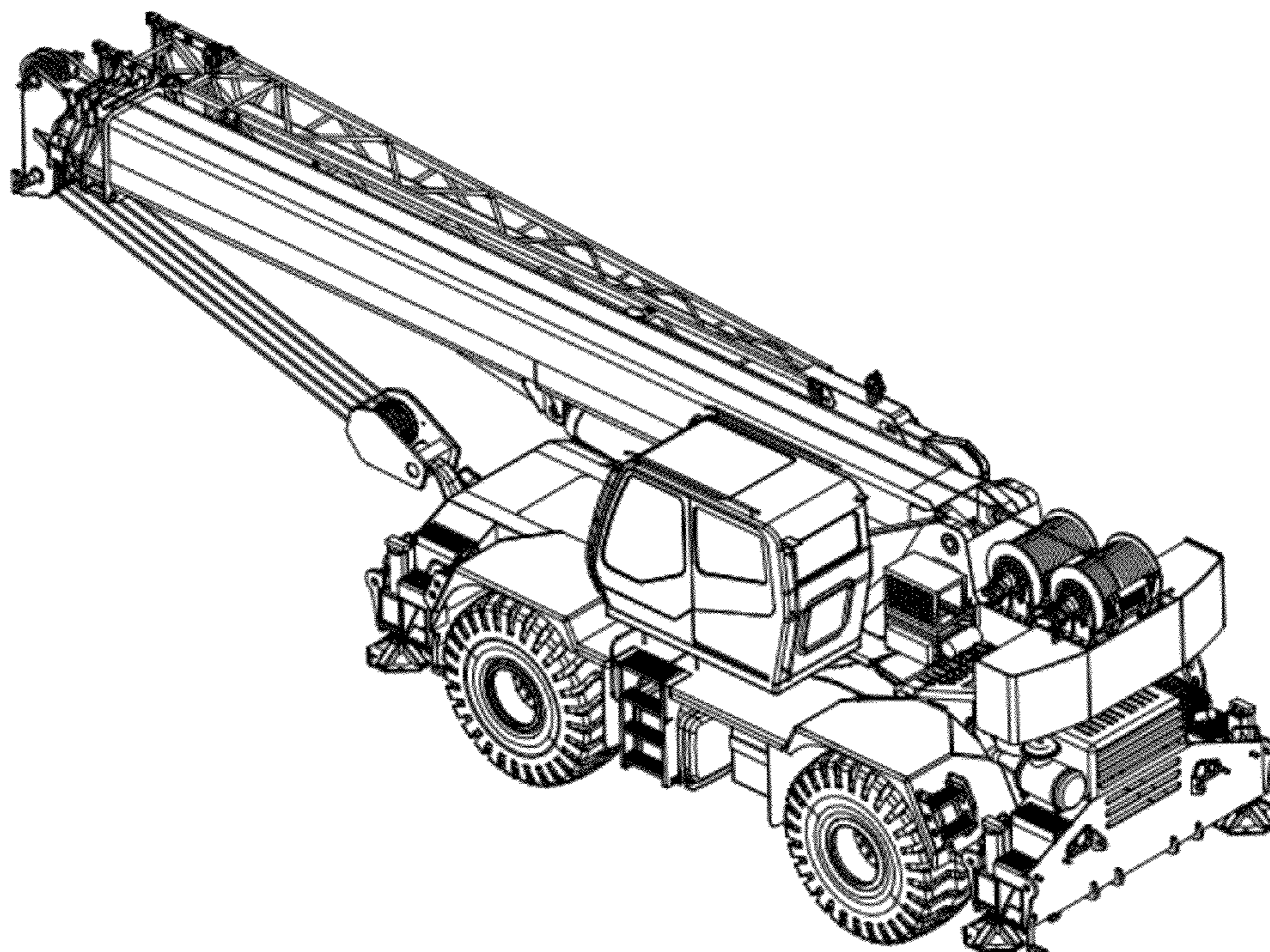
(56) **References Cited**

**U.S. PATENT DOCUMENTS**

D205,031 S \* 6/1966 Grove ..... D34/34  
D214,035 S \* 5/1969 Grove ..... D34/34  
D218,412 S \* 8/1970 Lowe ..... D34/34  
3,807,586 A \* 4/1974 Holopainen ..... 414/694  
D245,076 S \* 7/1977 Haswell ..... D34/34  
D251,062 S \* 2/1979 Wacht et al. .... D34/34

The broken line showing of the bottom elements in FIG. 7 is included for the purpose of illustrating portions of a rough terrain crane and forms no part of the claimed design.

**1 Claim, 8 Drawing Sheets**





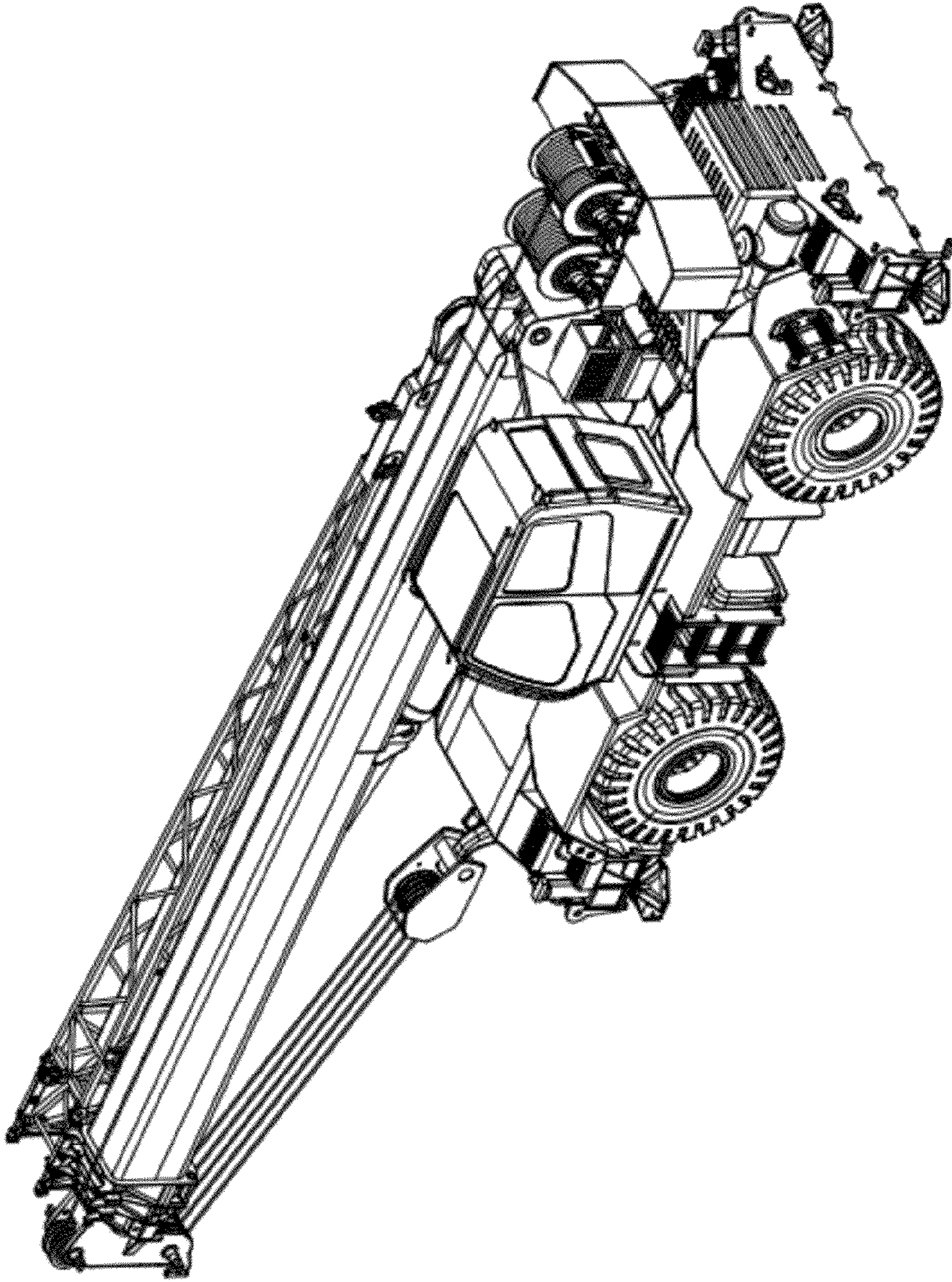


FIG.1



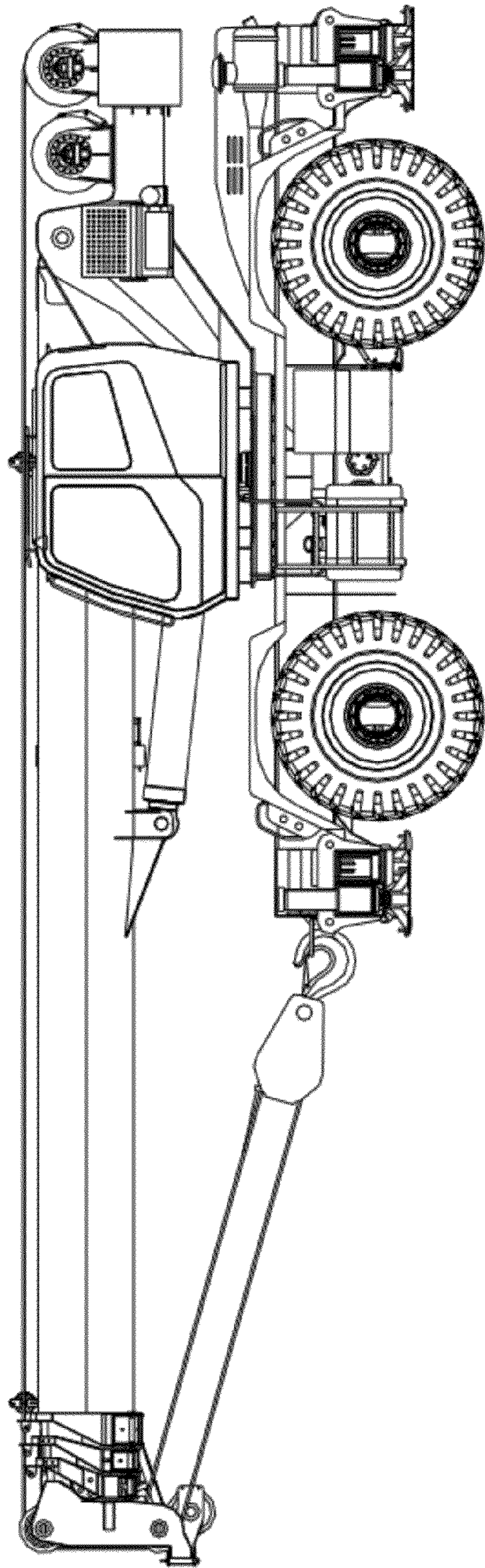


FIG.2



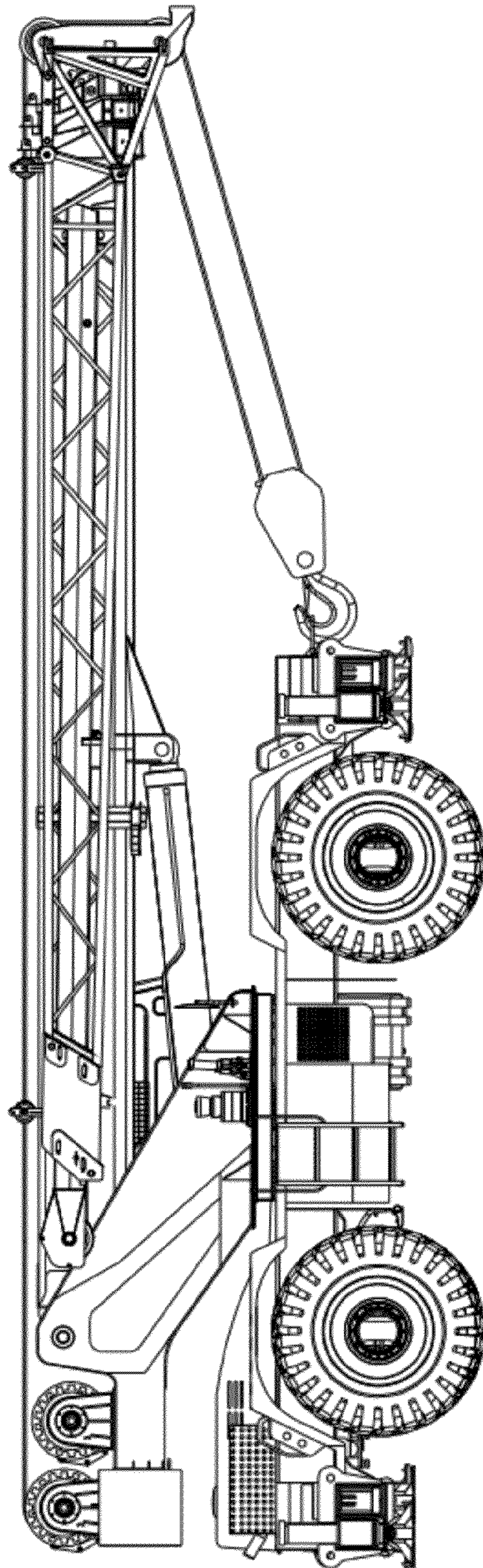


FIG. 3



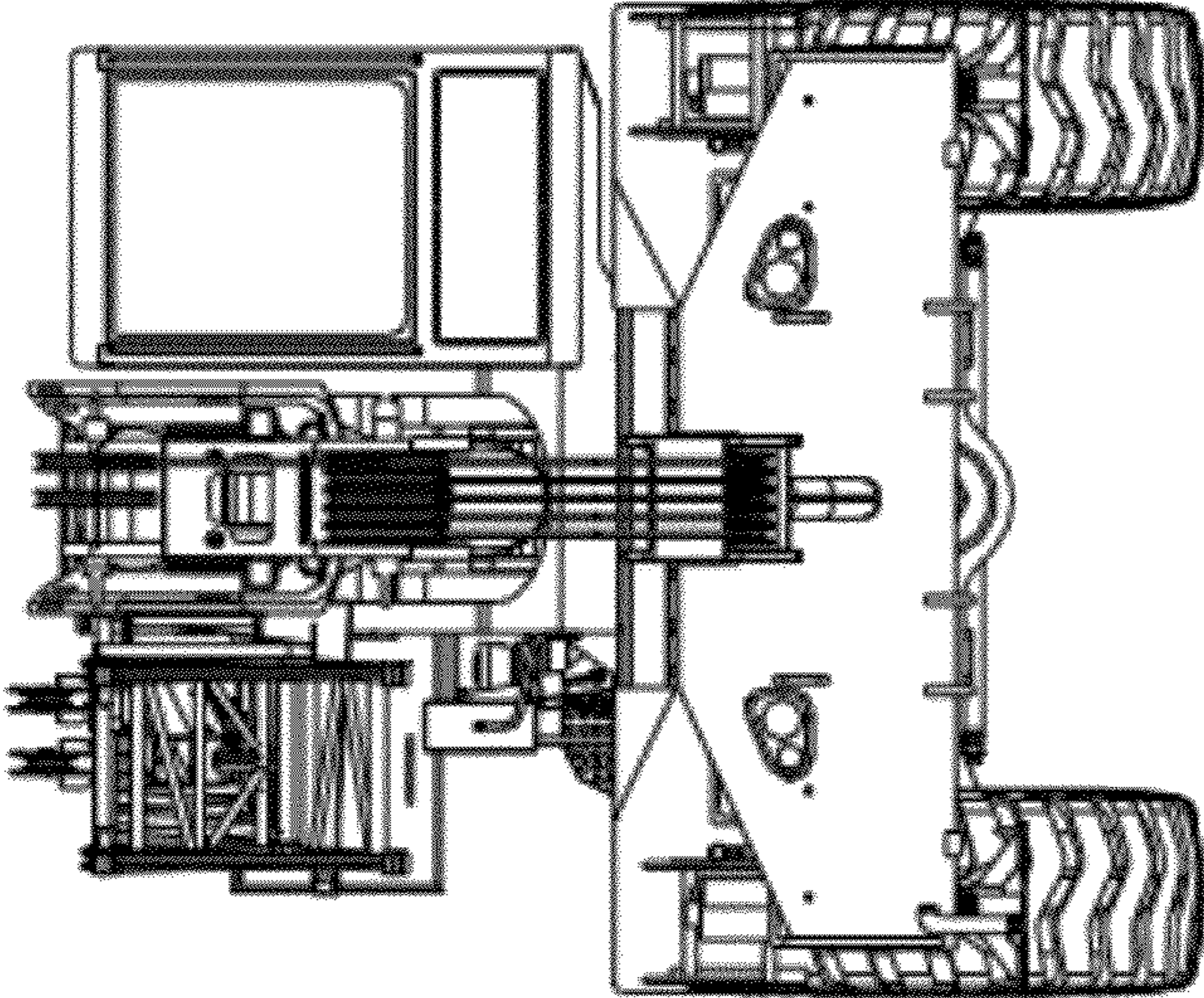


FIG. 4

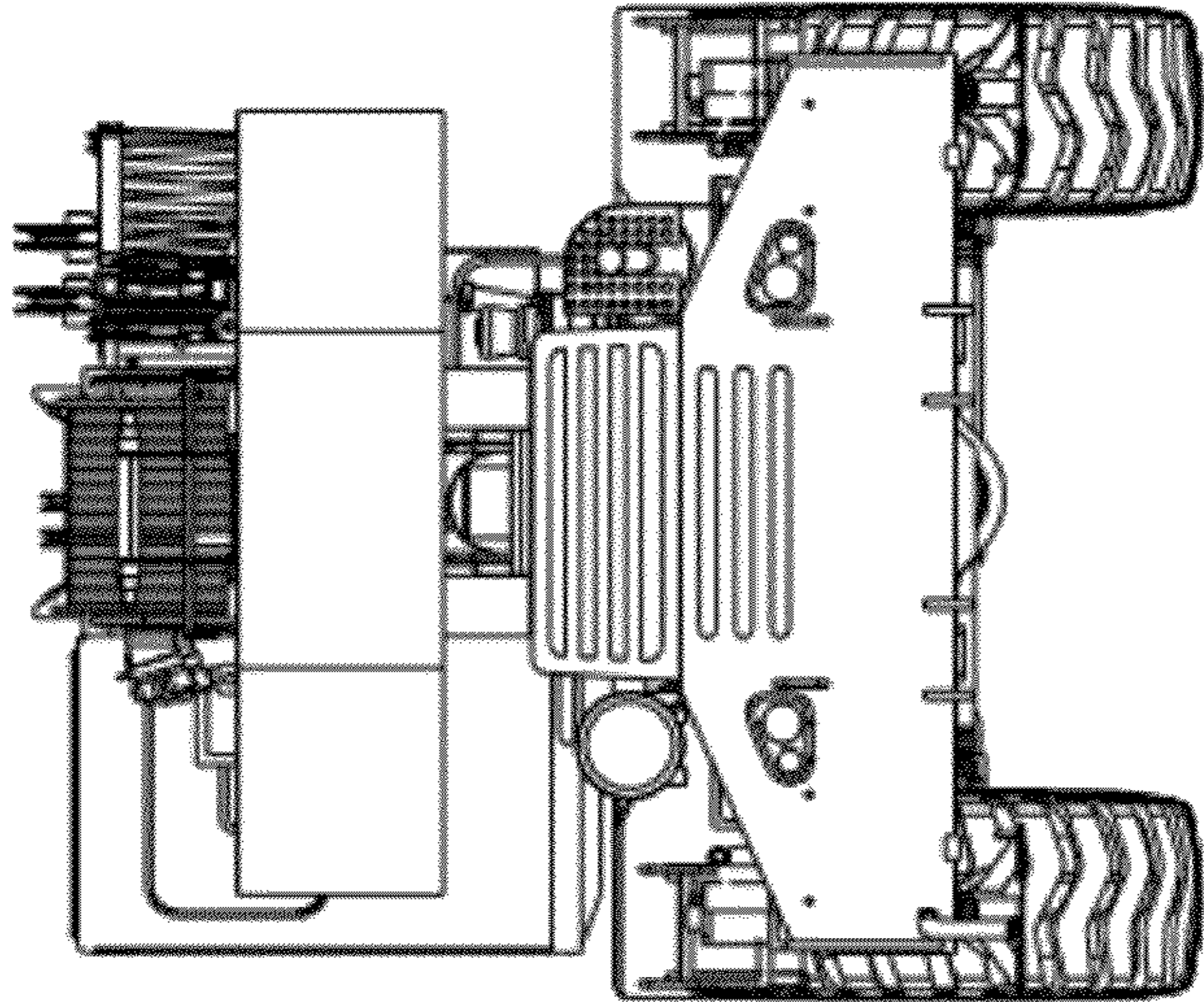


FIG. 5



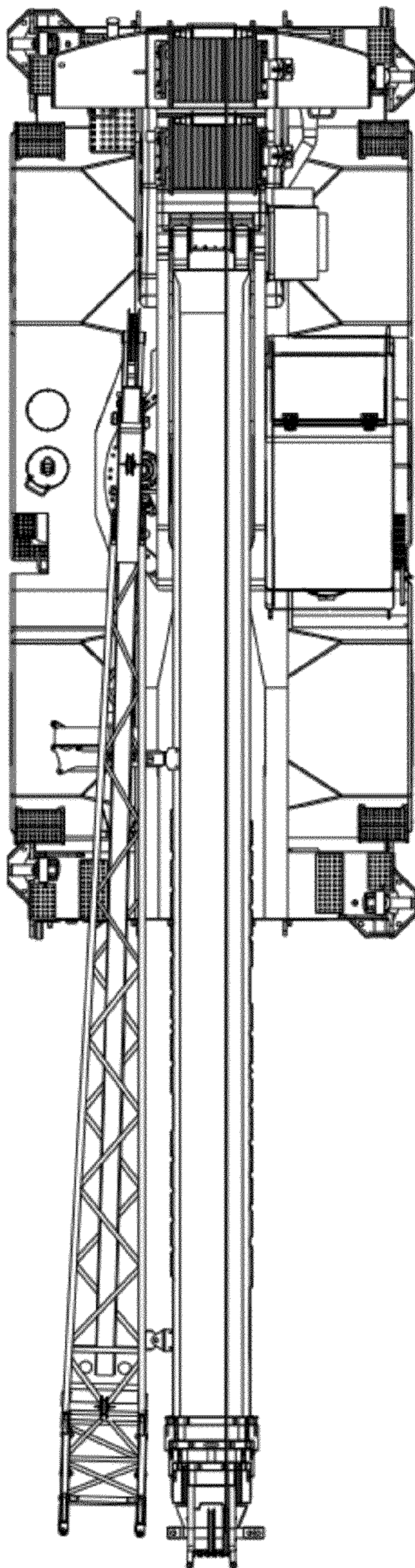


FIG.6



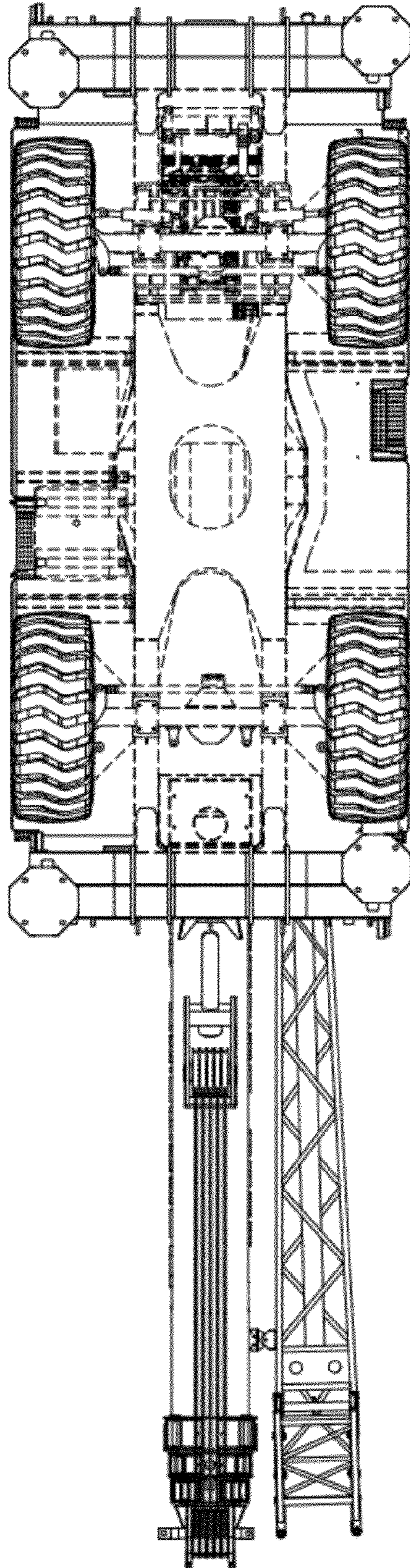


FIG.7



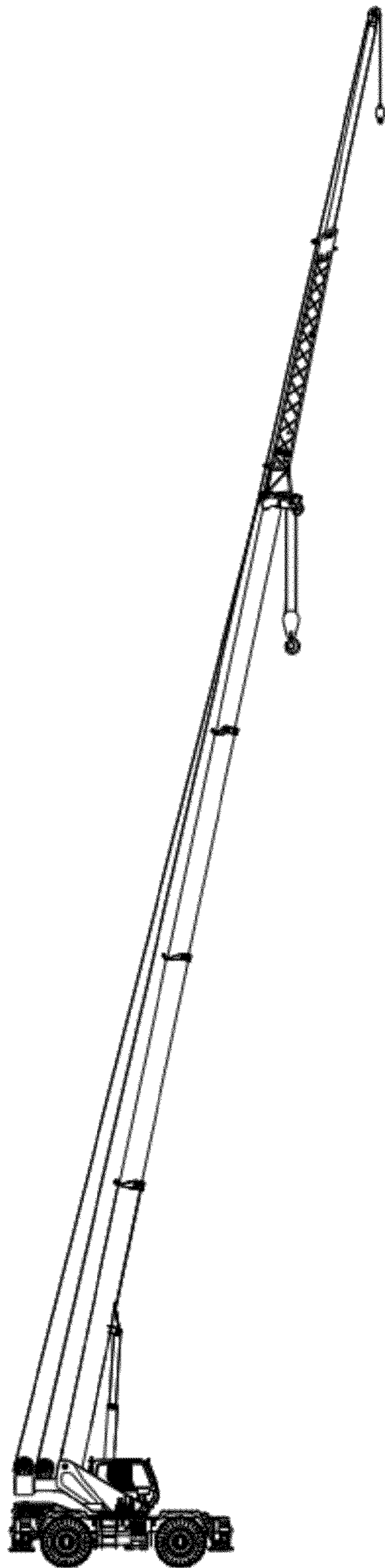


FIG. 8