

US00D656289S

(12) **United States Design Patent**
Crump

(10) **Patent No.:** **US D656,289 S**
(45) **Date of Patent:** **** Mar. 20, 2012**

(54) **PUSHOVER TRAILER AXLE JACK STAND**

(76) Inventor: **David Crump**, Owasso, OK (US)

(**) Term: **14 Years**

(21) Appl. No.: **29/376,085**

(22) Filed: **Oct. 1, 2010**

(51) **LOC (9) Cl.** **12-05**

(52) **U.S. Cl.** **D34/31**

(58) **Field of Classification Search** D34/31,
D34/28; 254/94, 422, 93 H, 100, 103
See application file for complete search history.

(56) **References Cited**

U.S. PATENT DOCUMENTS

829,333	A	8/1906	Hampson	
1,548,326	A	8/1924	McDuffie	
1,661,882	A	3/1928	Derrick	
1,682,856	A	9/1928	Salkind	
1,805,508	A	11/1930	Angelillo	
2,001,467	A	9/1934	Madigan	
D224,431	S *	7/1972	Keegan	D34/31
D309,818	S *	8/1990	Bink	D34/31
5,228,651	A	7/1993	Warner	
D350,888	S *	9/1994	Perry	D8/71
D396,926	S *	8/1998	Underhill et al.	D34/31
6,053,477	A	4/2000	Price	

D513,819	S *	1/2006	Ji	D34/31
D537,605	S *	2/2007	Rivera	D34/31
D602,672	S *	10/2009	Stillwell	D34/31
D636,297	S *	4/2011	Wu et al.	D12/106

* cited by examiner

Primary Examiner — Cynthia Ramirez

(74) *Attorney, Agent, or Firm* — Head, Johnson & Kachigian, P.C.

(57) **CLAIM**

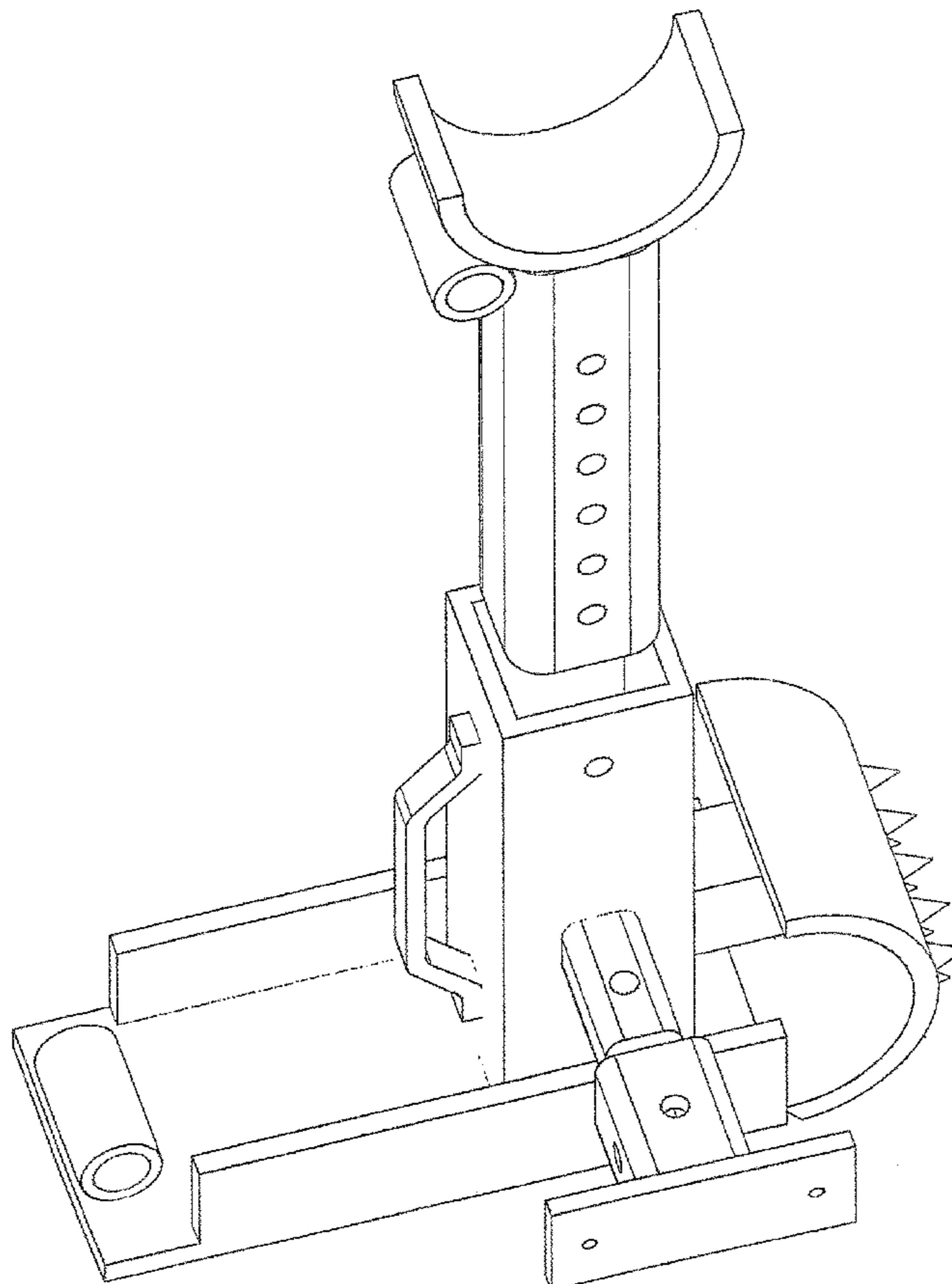
The ornamental design for a pushover trailer axle jack stand, as shown and described.

DESCRIPTION

FIG. 1 is a side exploded perspective view of a pushover trailer axle jack stand of the claimed design; FIG. 2 is front exploded perspective of FIG. 1; FIG. 3 is another front exploded perspective view thereof; FIG. 4 is a rear exploded perspective view thereof; FIG. 5 is a right side view thereof; FIG. 6 is a front view thereof; FIG. 7 is a rear view thereof; FIG. 8 is a left side view thereof; and, FIG. 9 is a top view thereof.

The peg is not shown in FIGS. 5 through 9 for convenience of illustration.

1 Claim, 9 Drawing Sheets



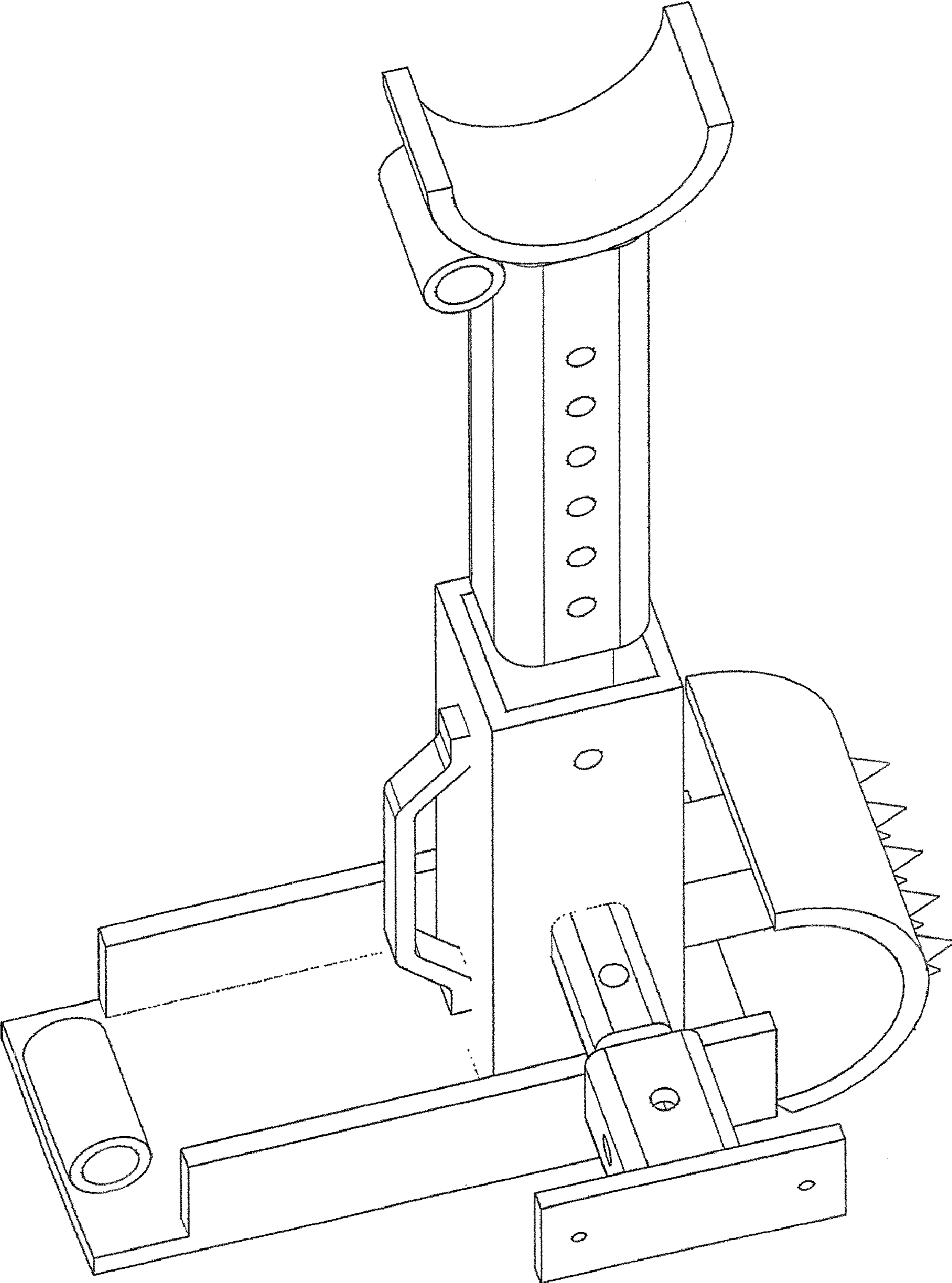


FIGURE #1

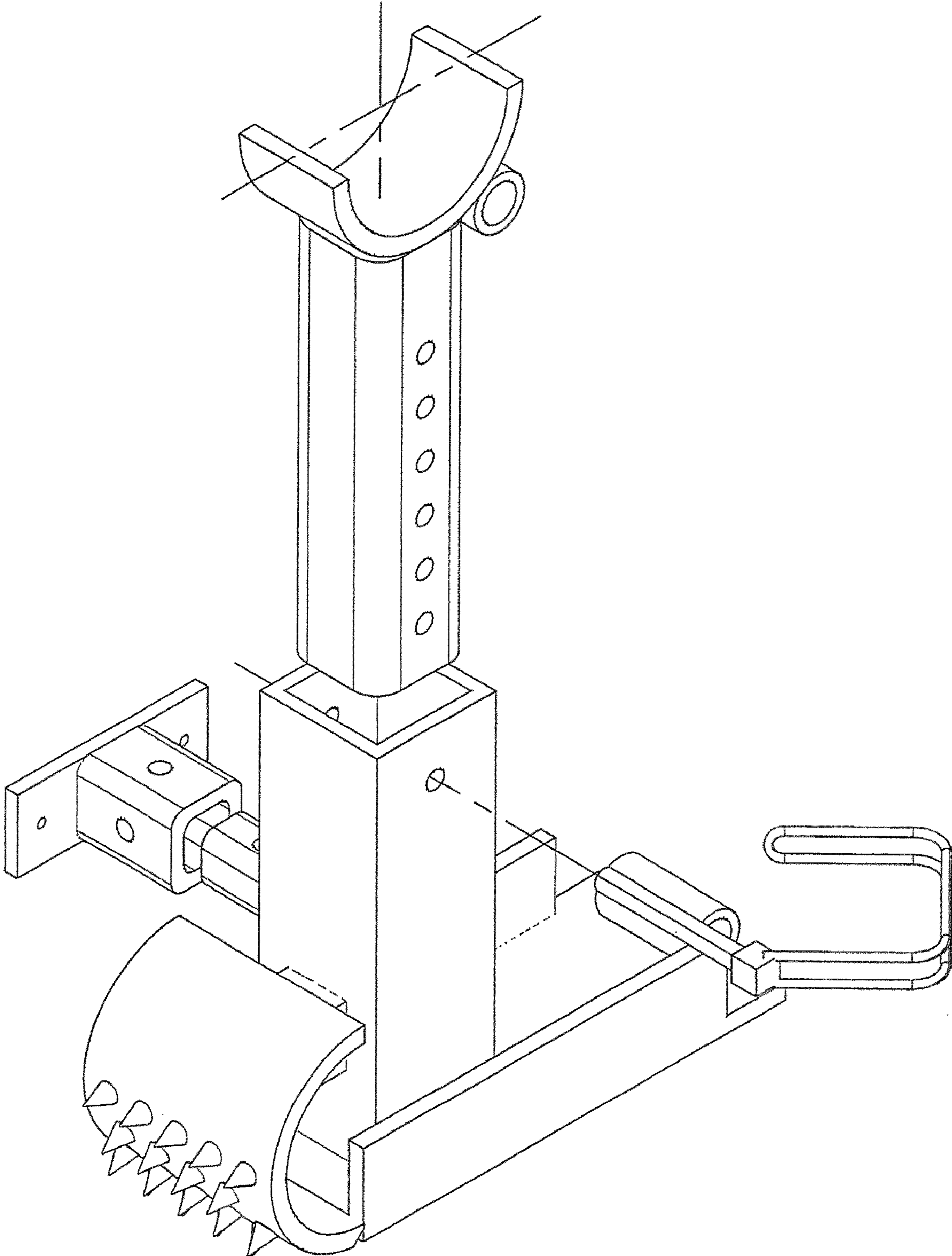


FIGURE #2

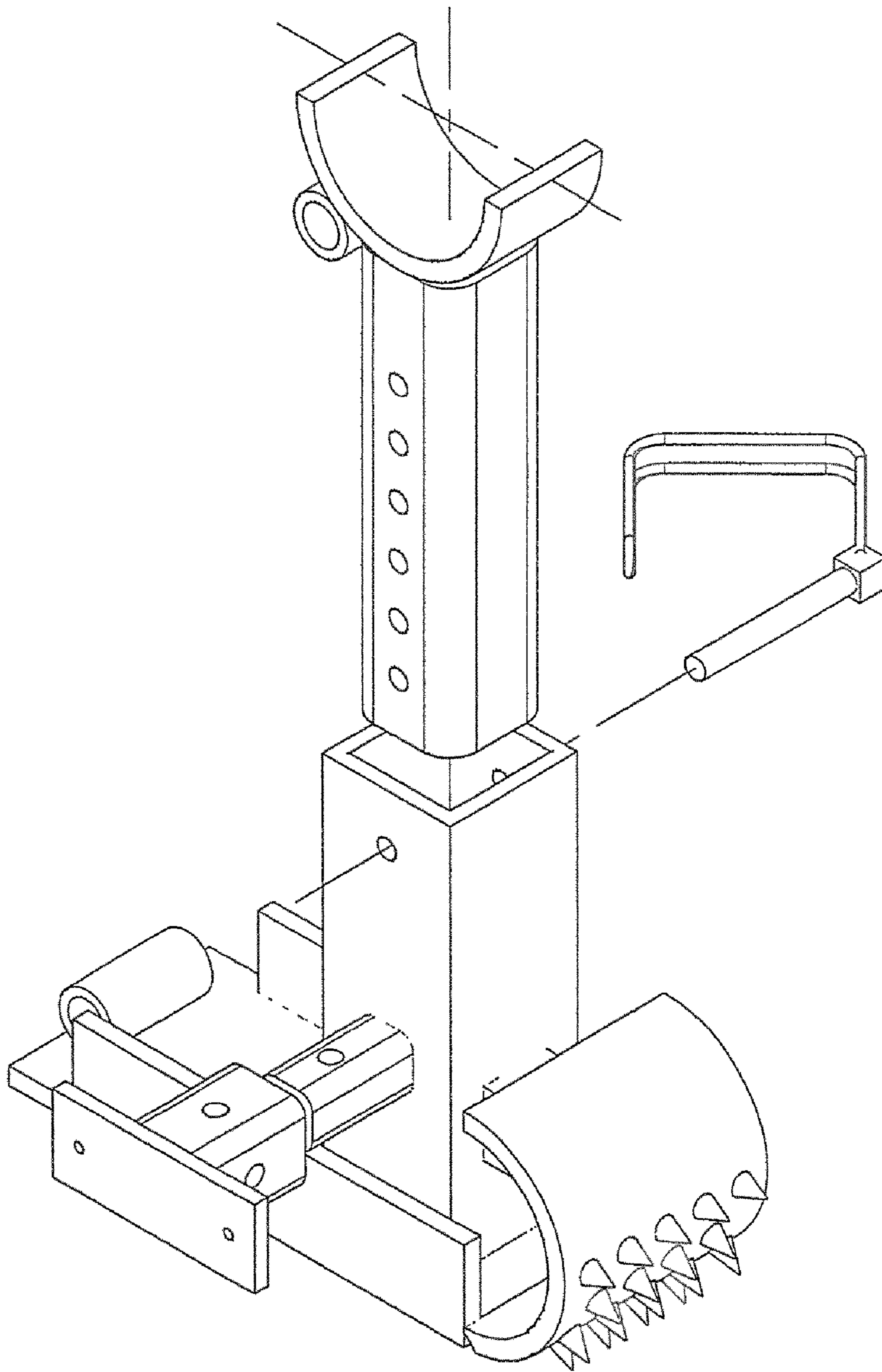


FIGURE #3

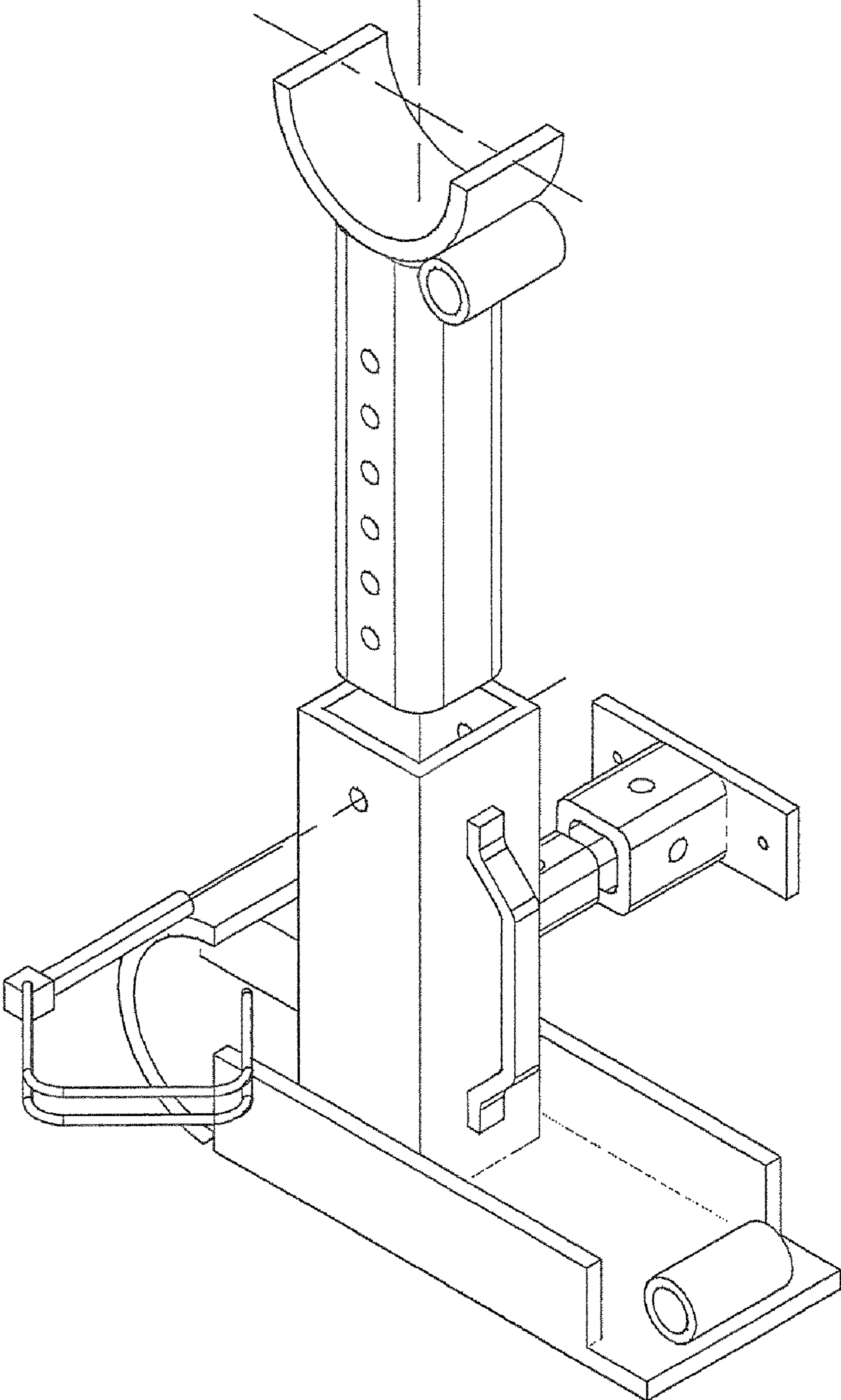


FIGURE #4

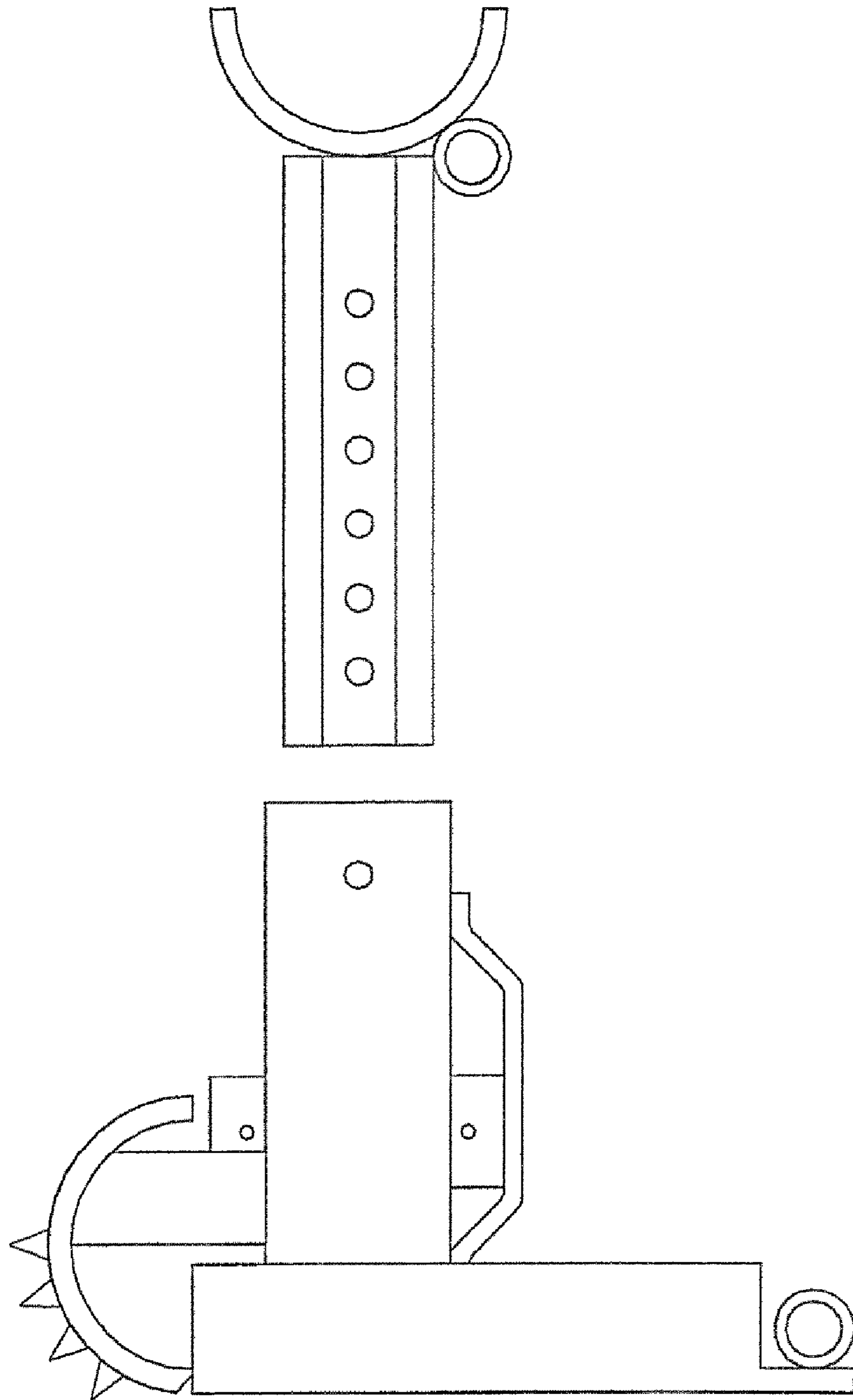


FIGURE #5

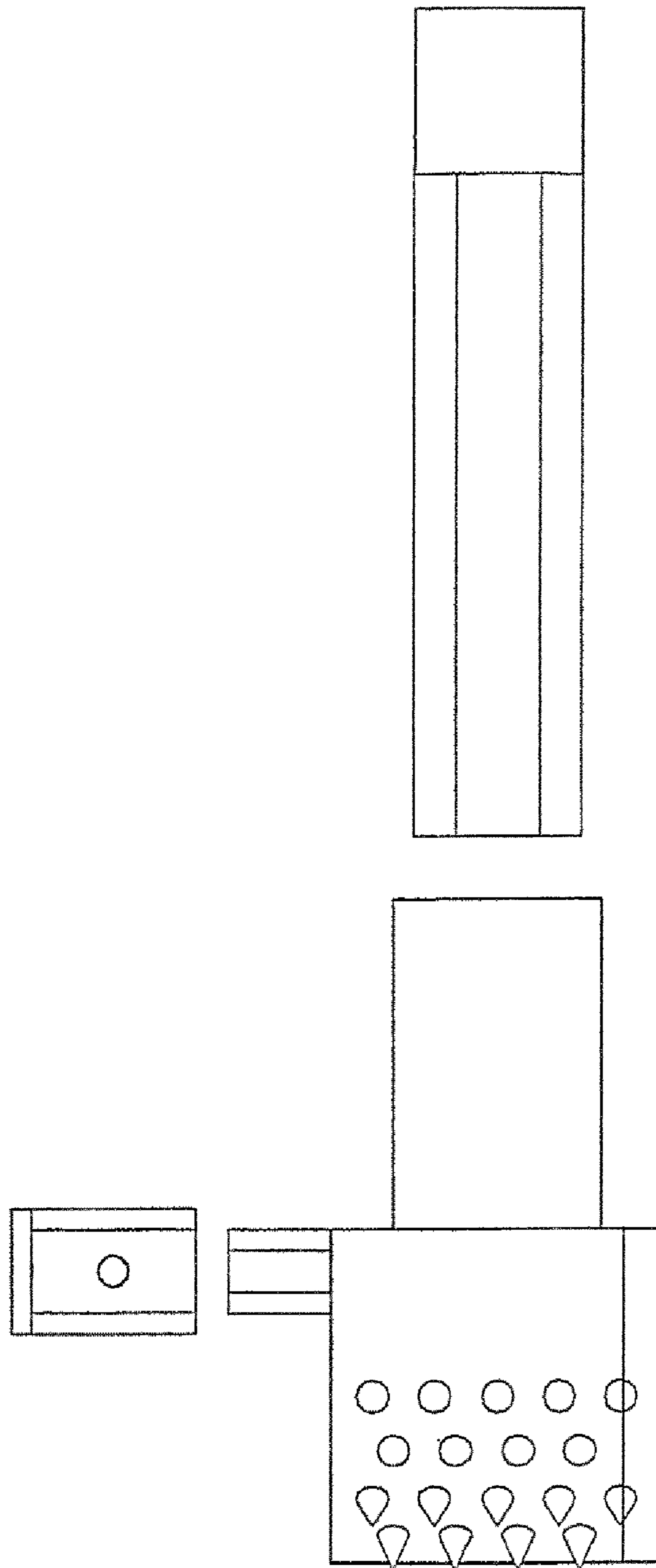


FIGURE #6

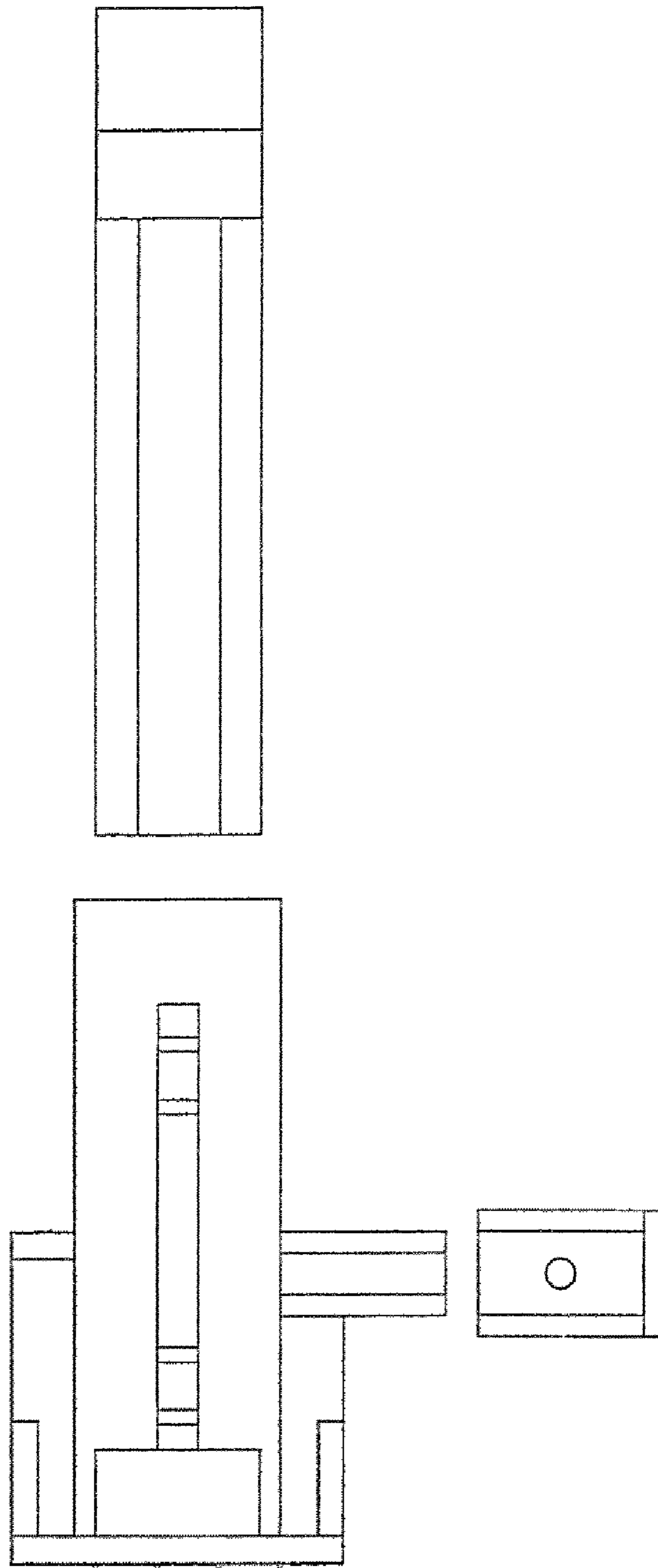


FIGURE #7

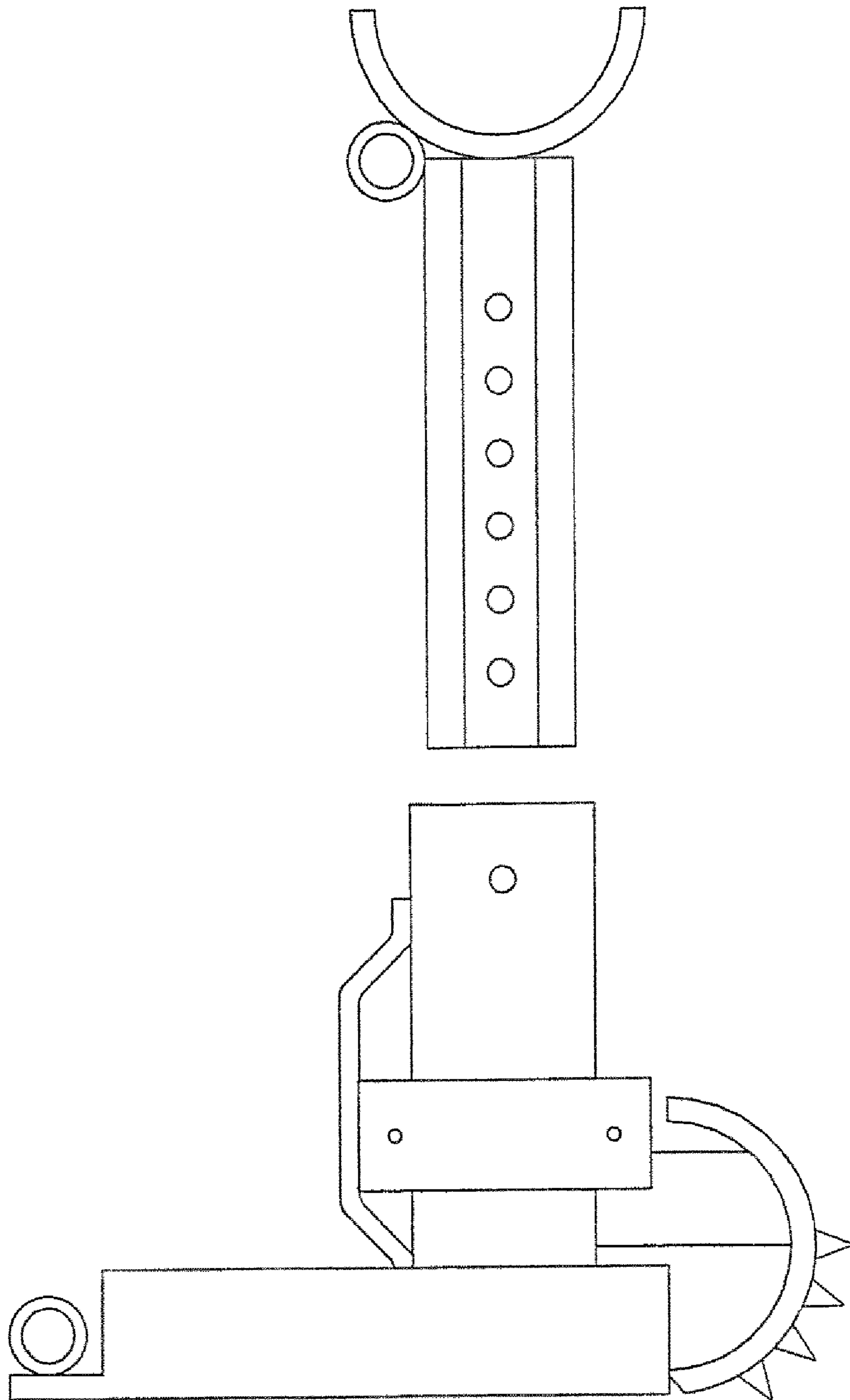


FIGURE #8

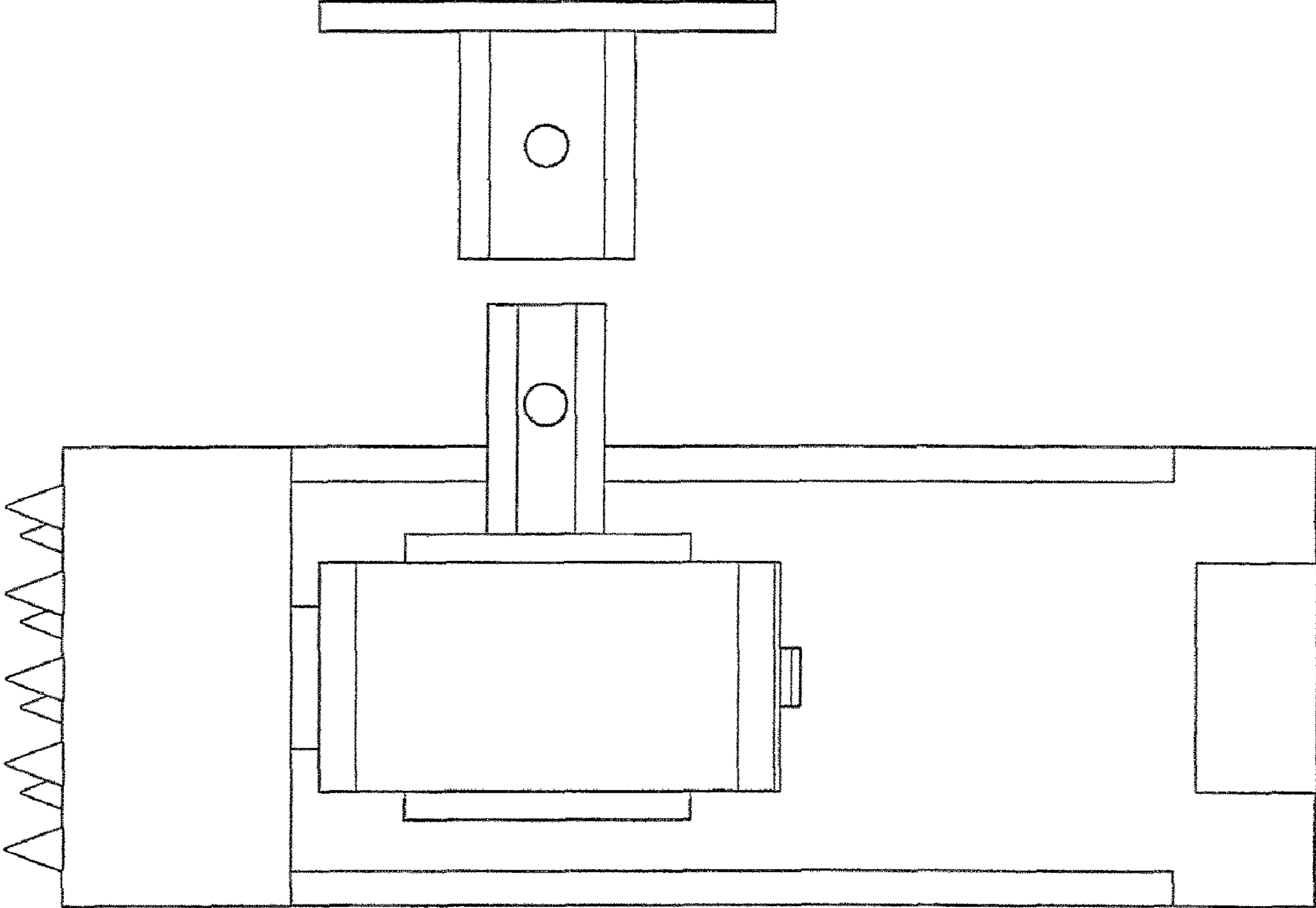


FIGURE #9