

US00D656287S

(12) **United States Design Patent**  
**Brown et al.**

(10) **Patent No.:** **US D656,287 S**  
(45) **Date of Patent:** **\*\* Mar. 20, 2012**

(54) **CONTAINER**

(75) Inventors: **R. Stephen Brown**, Kingston (CA); **Eric Marcotte**, Kingston (CA); **Michelle Douma**, Kingston (CA); **Michael Miron**, Kingston (CA); **Doug Wilton**, Kingston (CA); **Peter Gallant**, Kingston (CA); **David Dolphin**, Inverary (CA); **Lee Underwood**, High Wycombe (GB); **David (Geoffrey) Robinson**, Little Kimble (GB); **Les Stokes**, London (GB); **Peter Holdcroft**, Berkhamsted (GB); **Matthew Miles**, Berkhamsted (GB)

(73) Assignees: **Queen's University**, Kingston, Ontario (CA); **Pathogen Detection Systems, Inc.**, Kingston, Ontario (CA)

(\*\*) Term: **14 Years**

(21) Appl. No.: **29/364,161**

(22) Filed: **Jun. 18, 2010**

(51) **LOC (9) Cl.** ..... **09-09**

(52) **U.S. Cl.** ..... **D34/8**

(58) **Field of Classification Search** ..... D34/1, D34/5, 6, 7, 8, 9, 10, 11; 220/908, 908.1, 220/911, 913, 345.1, 345.2, 200, 203.12

See application file for complete search history.

(56) **References Cited**

**U.S. PATENT DOCUMENTS**

D513,103 S \* 12/2005 Lin ..... D34/9

(Continued)

*Primary Examiner* — Cynthia Ramirez

(74) *Attorney, Agent, or Firm* — Brown Rudnick LLP; Thomas Meyers; Lillian Horwitz

(57) **CLAIM**

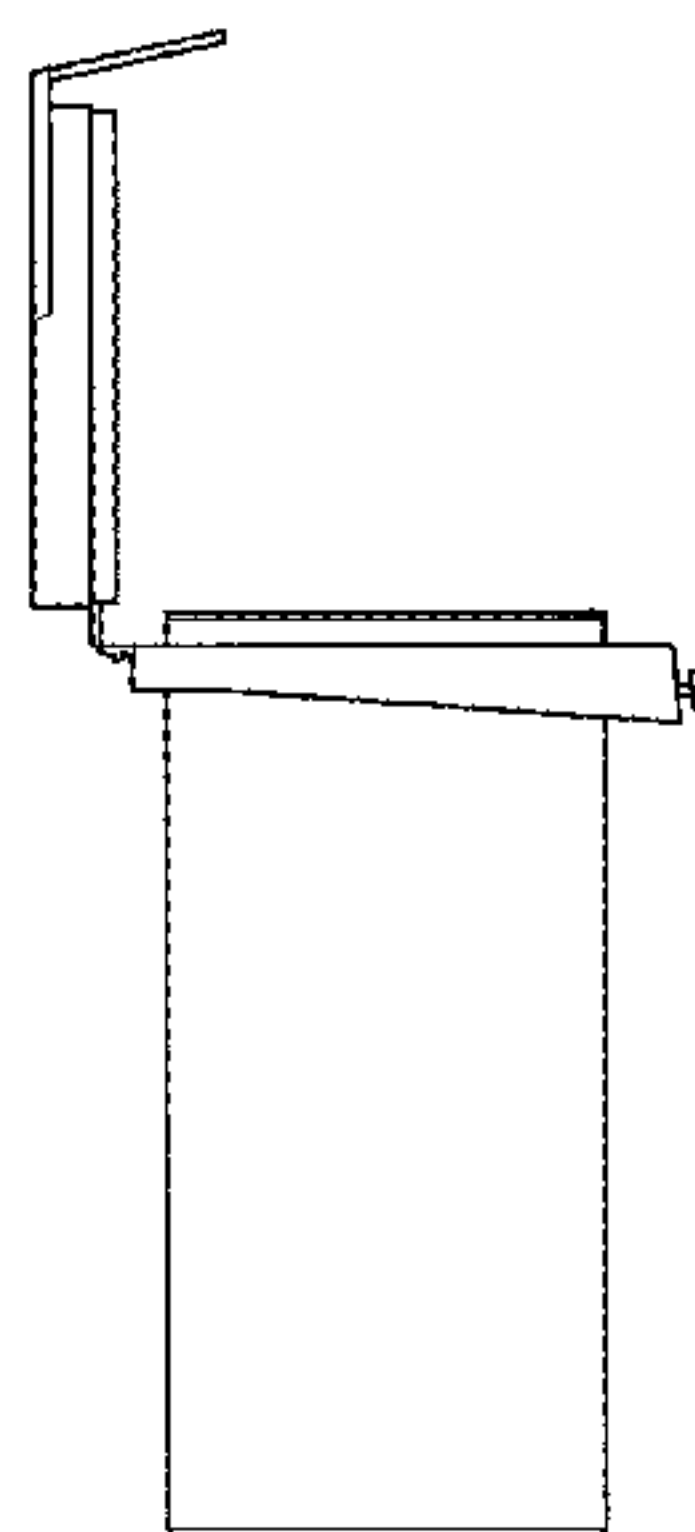
The ornamental design for a container, as shown and described.

**DESCRIPTION**

FIG. 1 is a right side view of a new design of a container with a lid in an opened position;  
FIG. 2 is a front view of the container illustrated in FIG. 1;  
FIG. 3 is a left side view of the container illustrated in FIG. 1;  
FIG. 4 is a back view of the container illustrated in FIG. 1;  
FIG. 5 is a top view of the container illustrated in FIG. 1;  
FIG. 6 is a bottom view of the container illustrated in FIG. 1;  
FIG. 7 is a front perspective view of the container illustrated in FIG. 1;  
FIG. 8 is a bottom perspective view of the container illustrated in FIG. 1 with a plug in;

FIG. 9 is a bottom perspective view of the container illustrated in FIG. 1 without a plug;  
FIG. 10 is a right side view of the container illustrated in FIG. 1 with the lid in a closed position;  
FIG. 11 is a front view of the container illustrated in FIG. 10;  
FIG. 12 is a left side view of the container illustrated in FIG. 10;  
FIG. 13 is a back view of the container illustrated in FIG. 10;  
FIG. 14 is a top view of the container illustrated in FIG. 10;  
FIG. 15 is a bottom view of the container illustrated in FIG. 10;  
FIG. 16 is a front perspective view of the container illustrated in FIG. 10;  
FIG. 17 is a bottom perspective view of the container illustrated in FIG. 10 with a plug in;  
FIG. 18 is a bottom perspective view of the container illustrated in FIG. 10 without a plug;  
FIG. 19 is a right side view of a new design of a container with the lid in an opened position according to another embodiment;  
FIG. 20 is a front view of the container illustrated in FIG. 19;  
FIG. 21 is a left side view of the container illustrated in FIG. 19;  
FIG. 22 is a back view of the container illustrated in FIG. 19;  
FIG. 23 is a top view of the container illustrated in FIG. 19;  
FIG. 24 is a bottom view of the container illustrated in FIG. 19;  
FIG. 25 is a front perspective view of the container illustrated in FIG. 19;  
FIG. 26 is a bottom perspective view of the container illustrated in FIG. 19 with a plug in;  
FIG. 27 is a bottom perspective view of the container illustrated in FIG. 19 without a plug;  
FIG. 28 is a right side view of the container illustrated in FIG. 19 with the lid in a closed position;  
FIG. 29 is a front view of the container illustrated in FIG. 19;  
FIG. 30 is a left side view of the container illustrated in FIG. 19;  
FIG. 31 is a back view of the container illustrated in FIG. 19;  
FIG. 32 is a top view of the container illustrated in FIG. 19;  
FIG. 33 is a bottom view of the container illustrated in FIG. 19;  
FIG. 34 is a front perspective view of the container illustrated in FIG. 19;  
FIG. 35 is a bottom perspective view of the container illustrated in FIG. 19 with a plug in;  
FIG. 36 is a bottom perspective view of the container illustrated in FIG. 19 without a plug;  
FIG. 37 is a cross-section of the bottom part of the container illustrated in FIGS. 8, 17, 26, and 35; and,  
FIG. 38 is a cross-section of the bottom part of the container illustrated in FIGS. 9, 18, 27 and 36 with a plug out.

**1 Claim, 14 Drawing Sheets**



# US D656,287 S

Page 2

---

## U.S. PATENT DOCUMENTS

D526,456 S *	8/2006	Lin	.....	D34/9	D636,961 S *	4/2011	Duvigneau	.....	D34/9
D586,066 S *	2/2009	Lin	.....	D34/7	D645,221 S *	9/2011	Brown et al.	.....	D34/11
D627,533 S *	11/2010	Yang et al.	.....	D34/7	2005/0082196 A1 *	4/2005	Lin	.....	206/554

\* cited by examiner

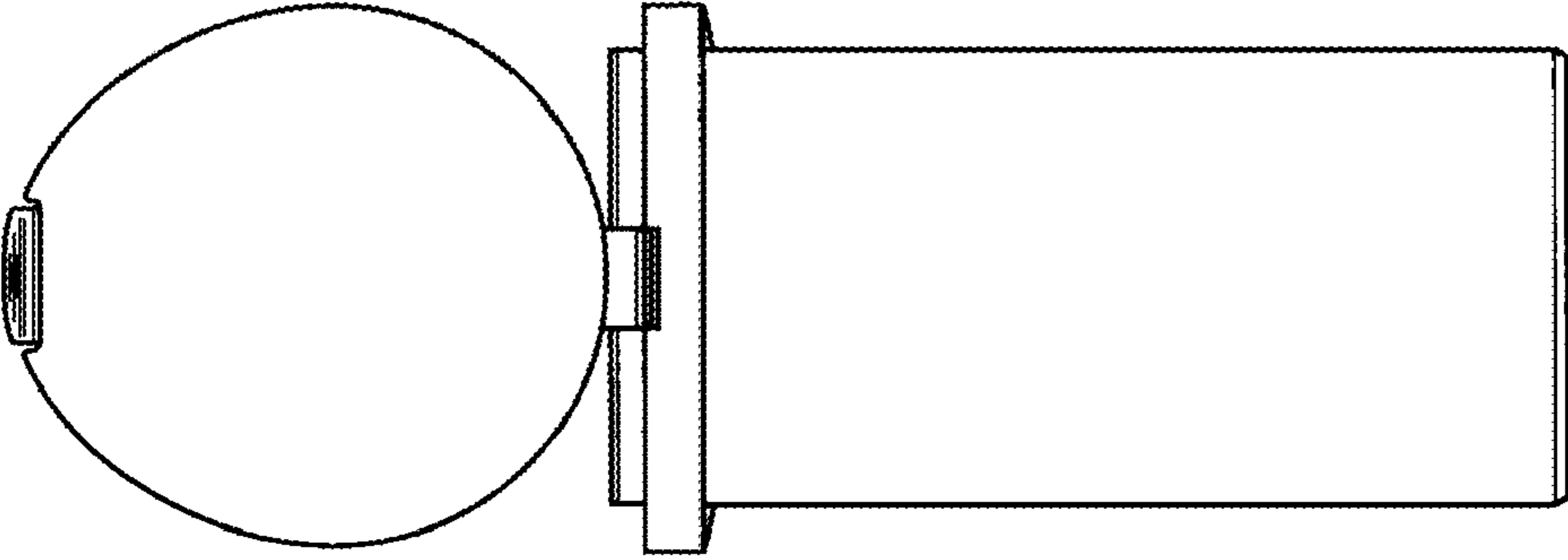


Figure 4

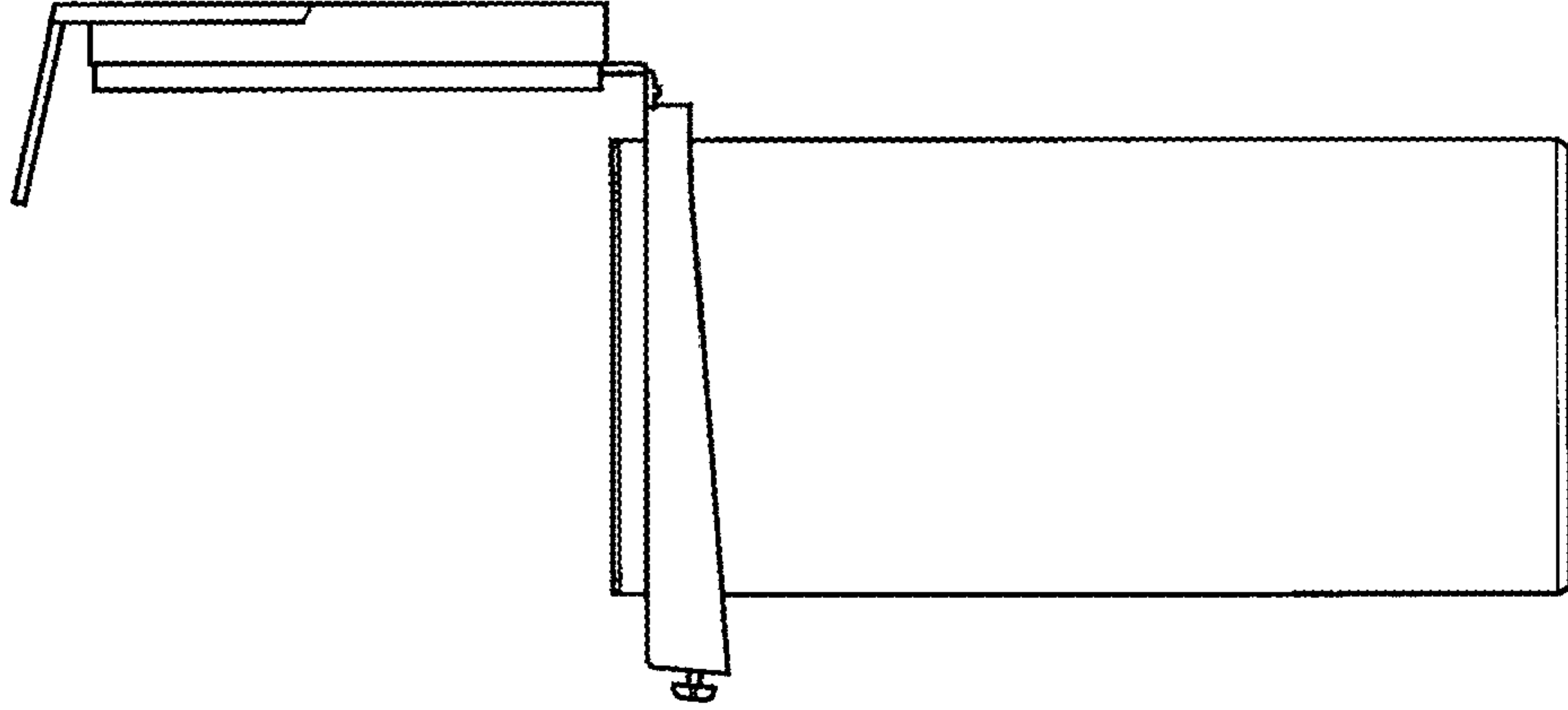


Figure 3

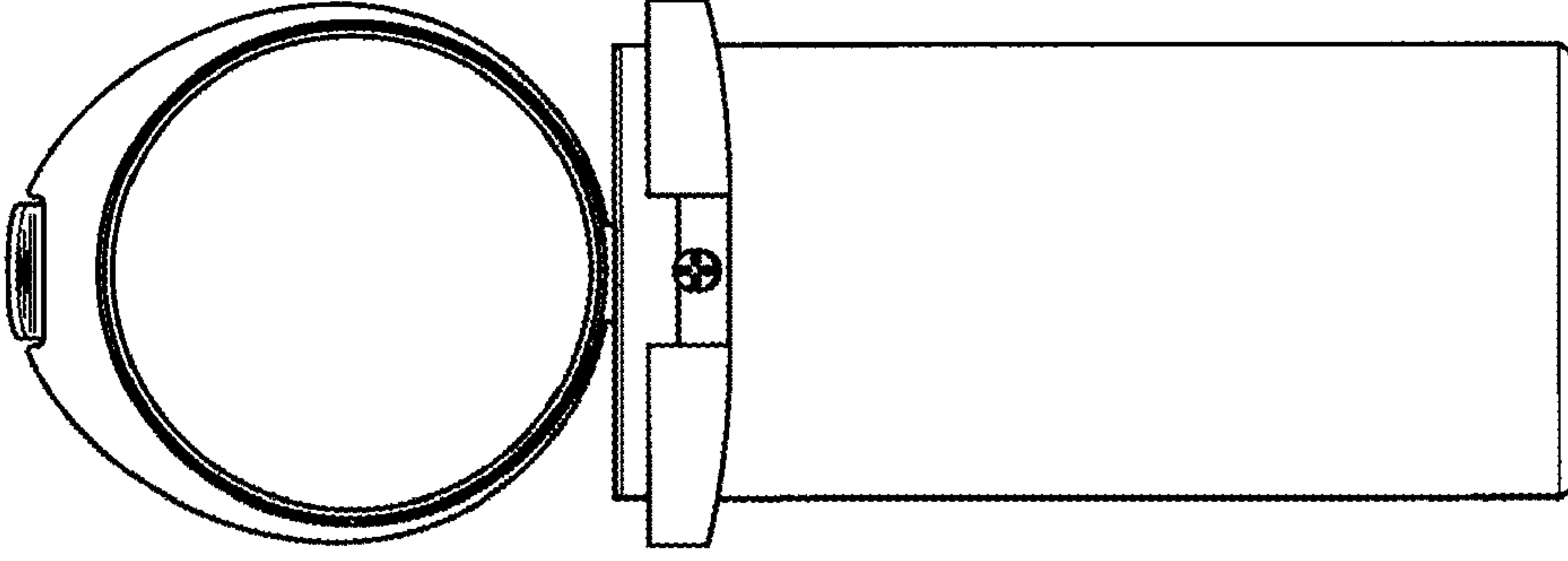


Figure 2

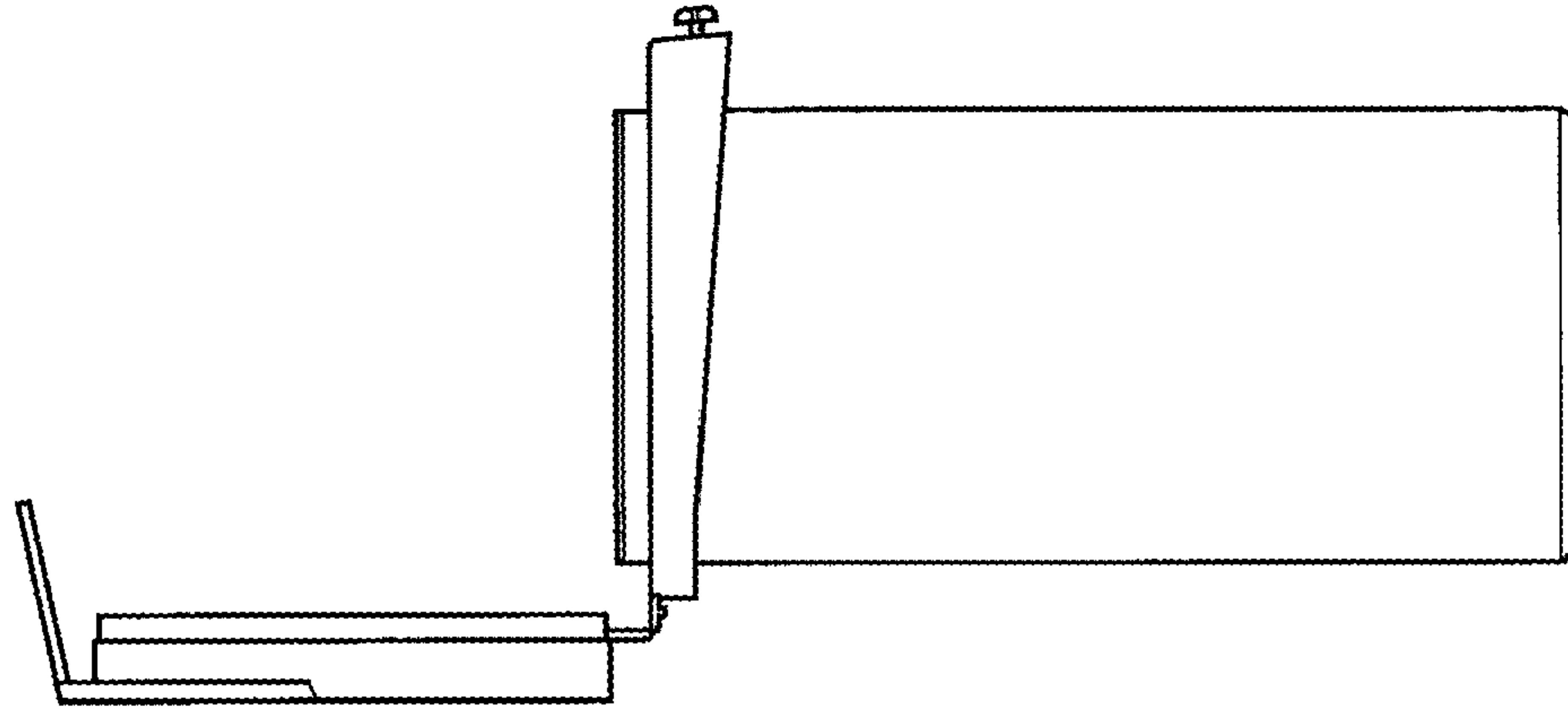


Figure 1

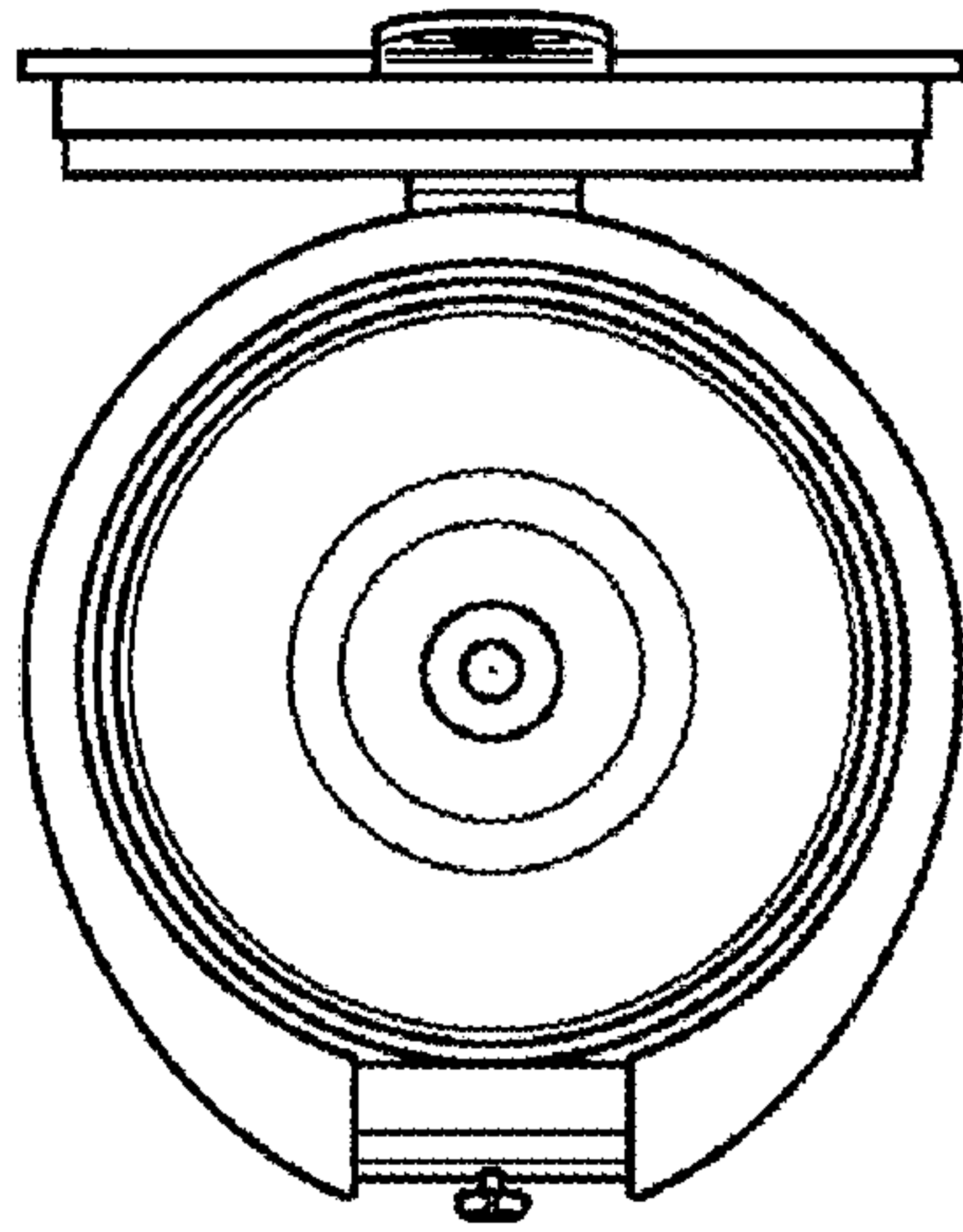


Figure 5

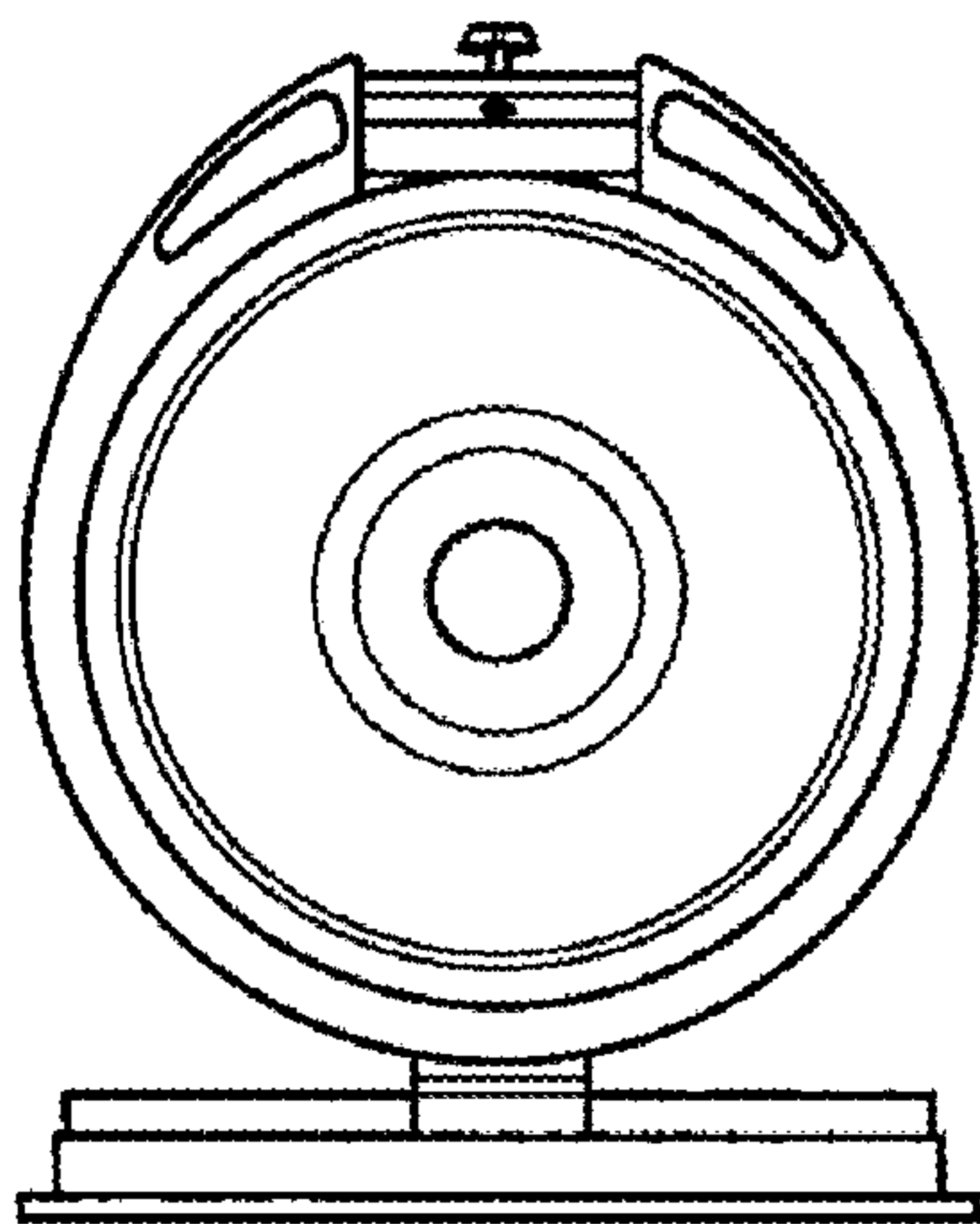


Figure 6

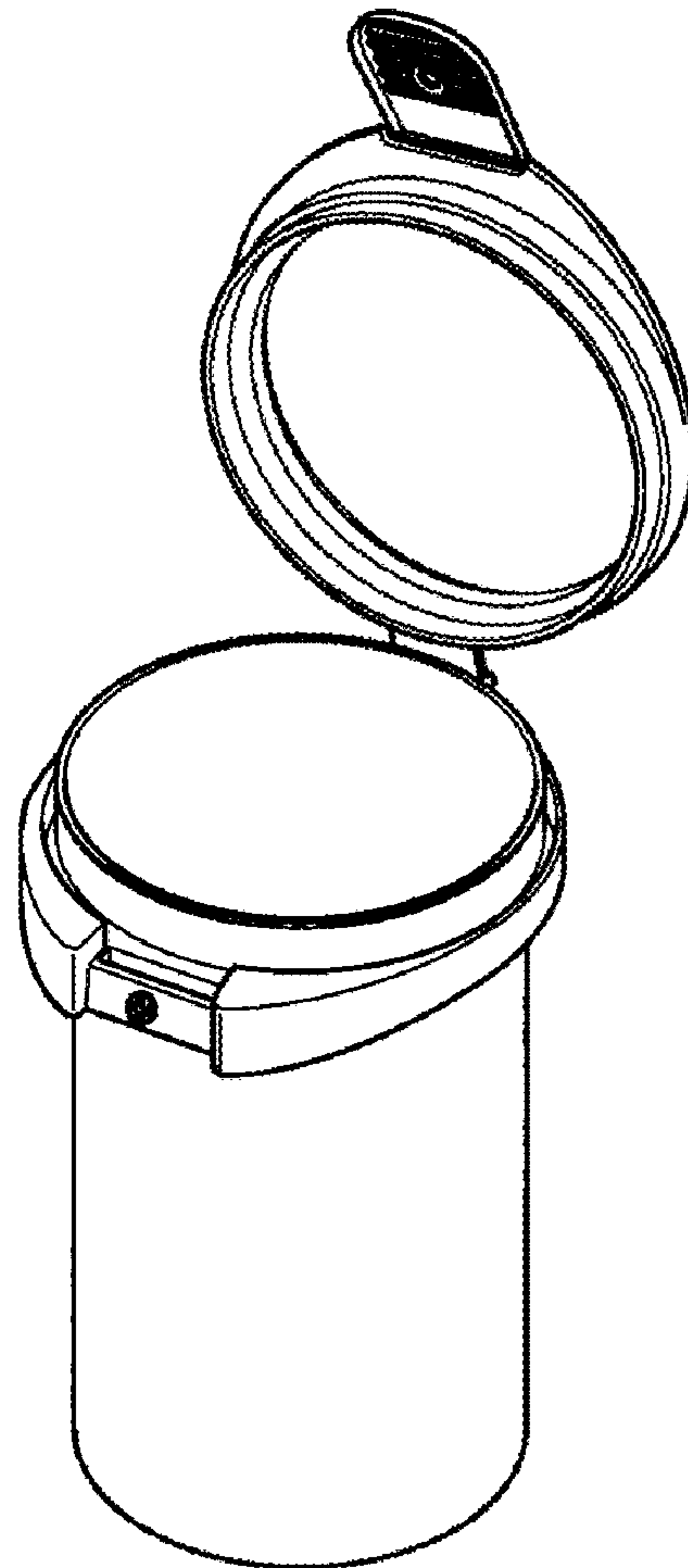


Figure 7



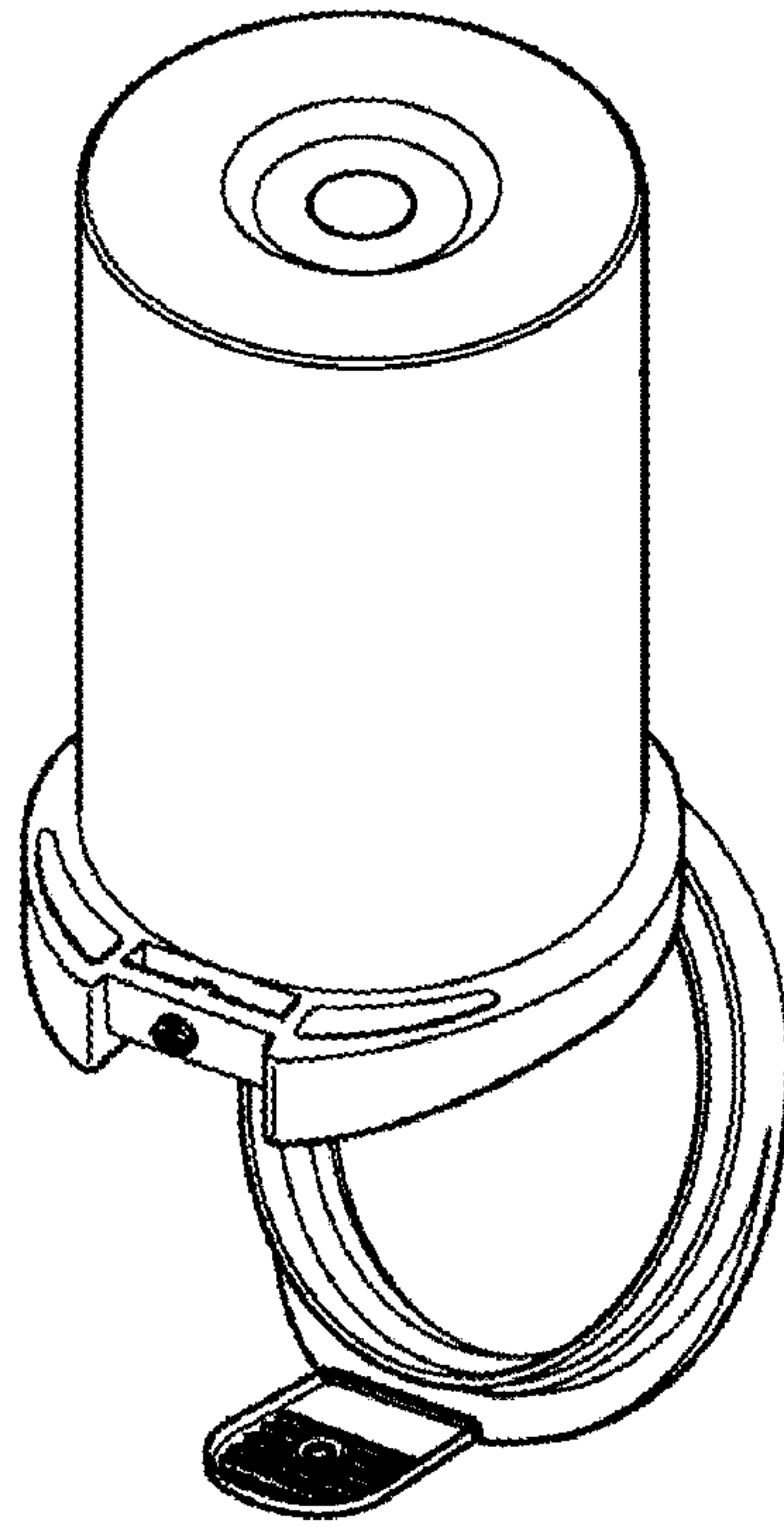


Figure 8

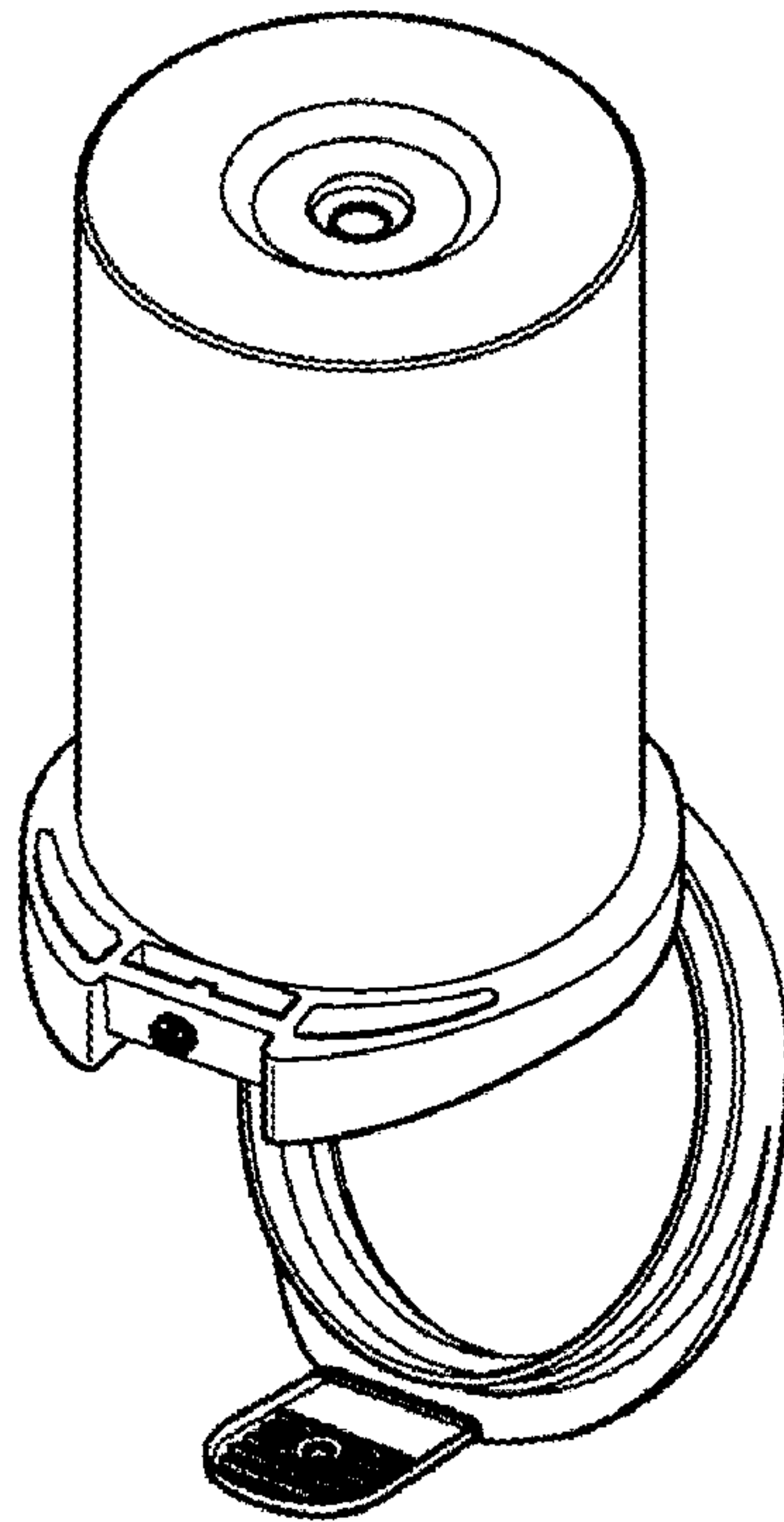


Figure 9

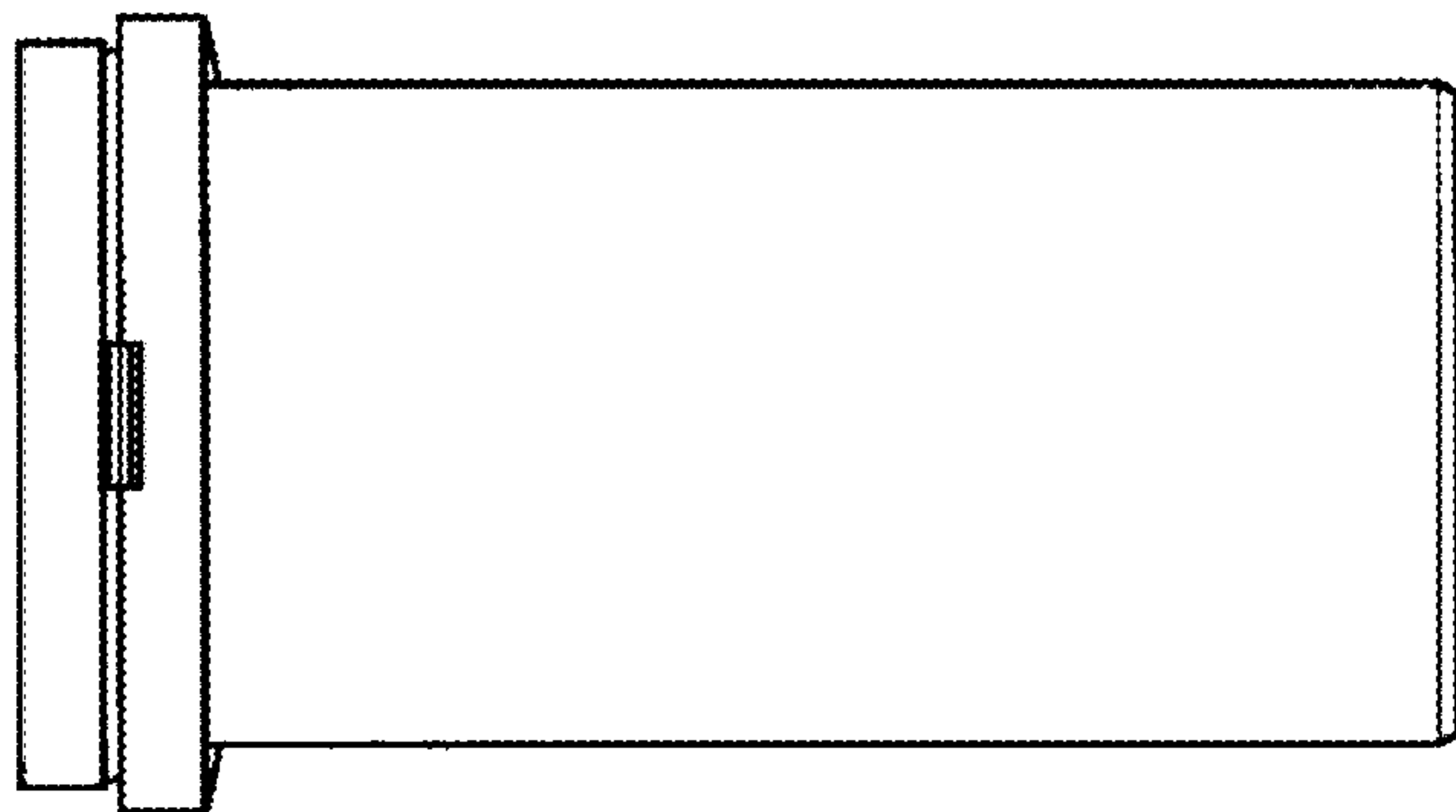


Figure 13

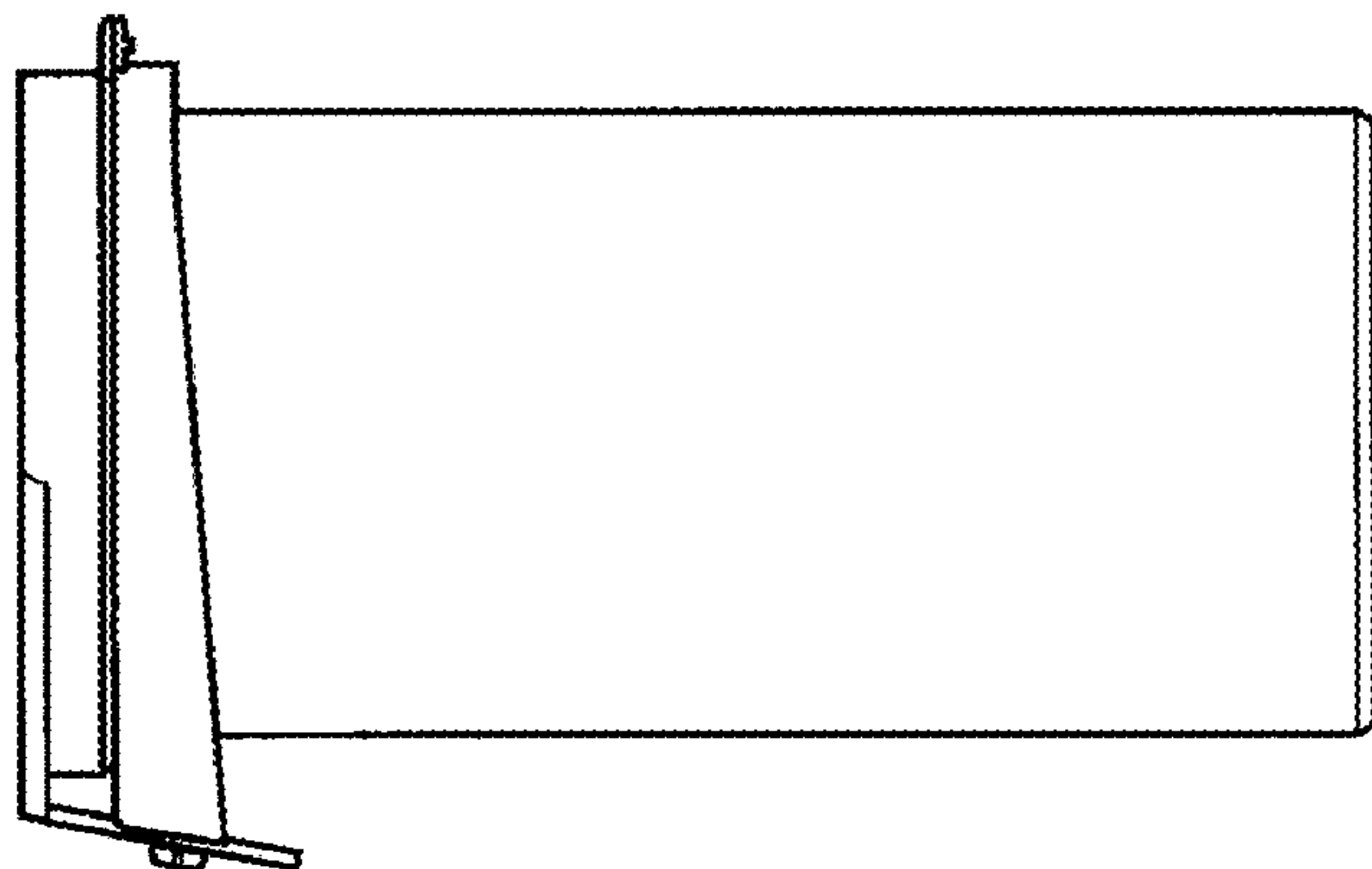


Figure 12

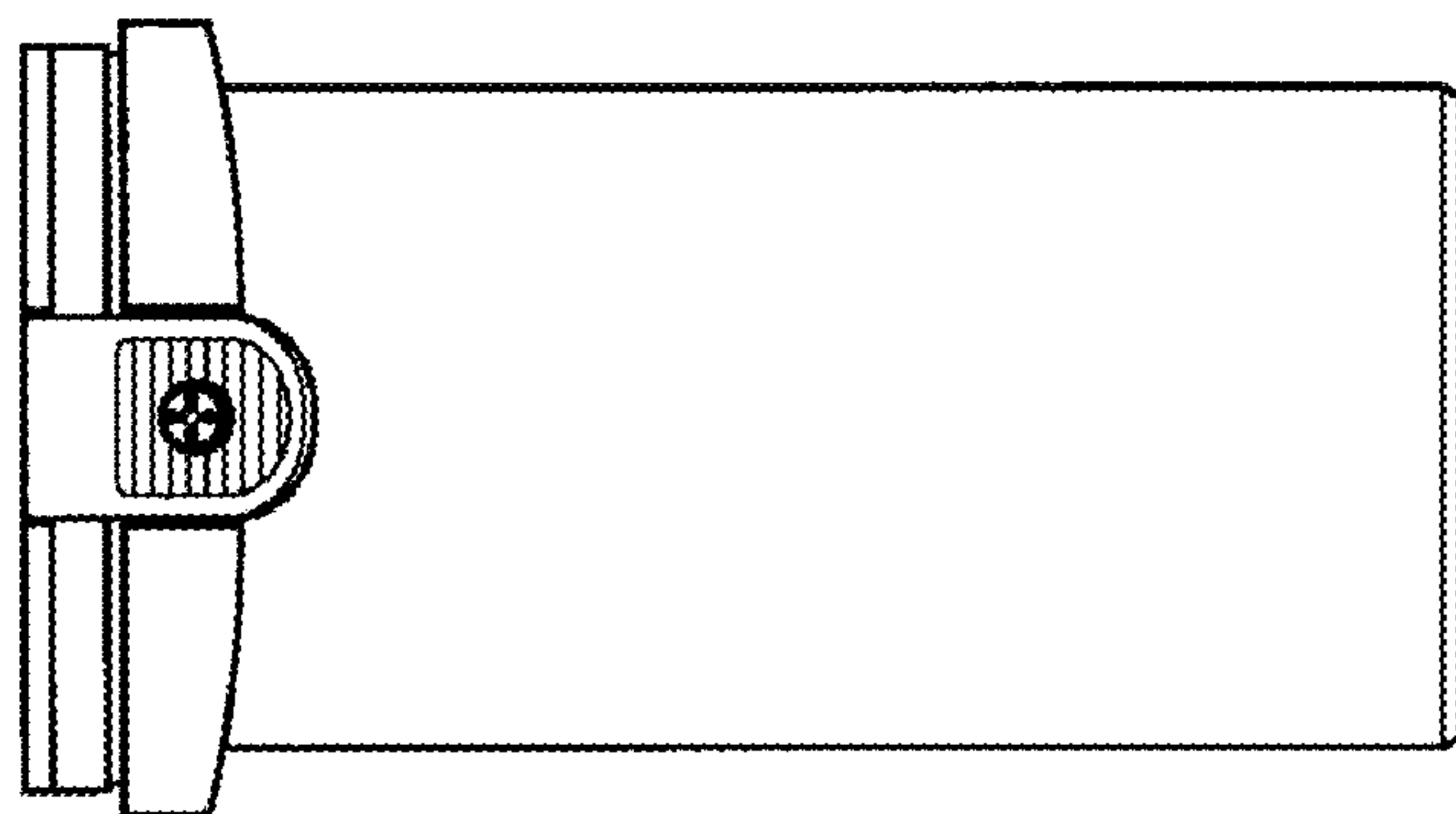


Figure 11

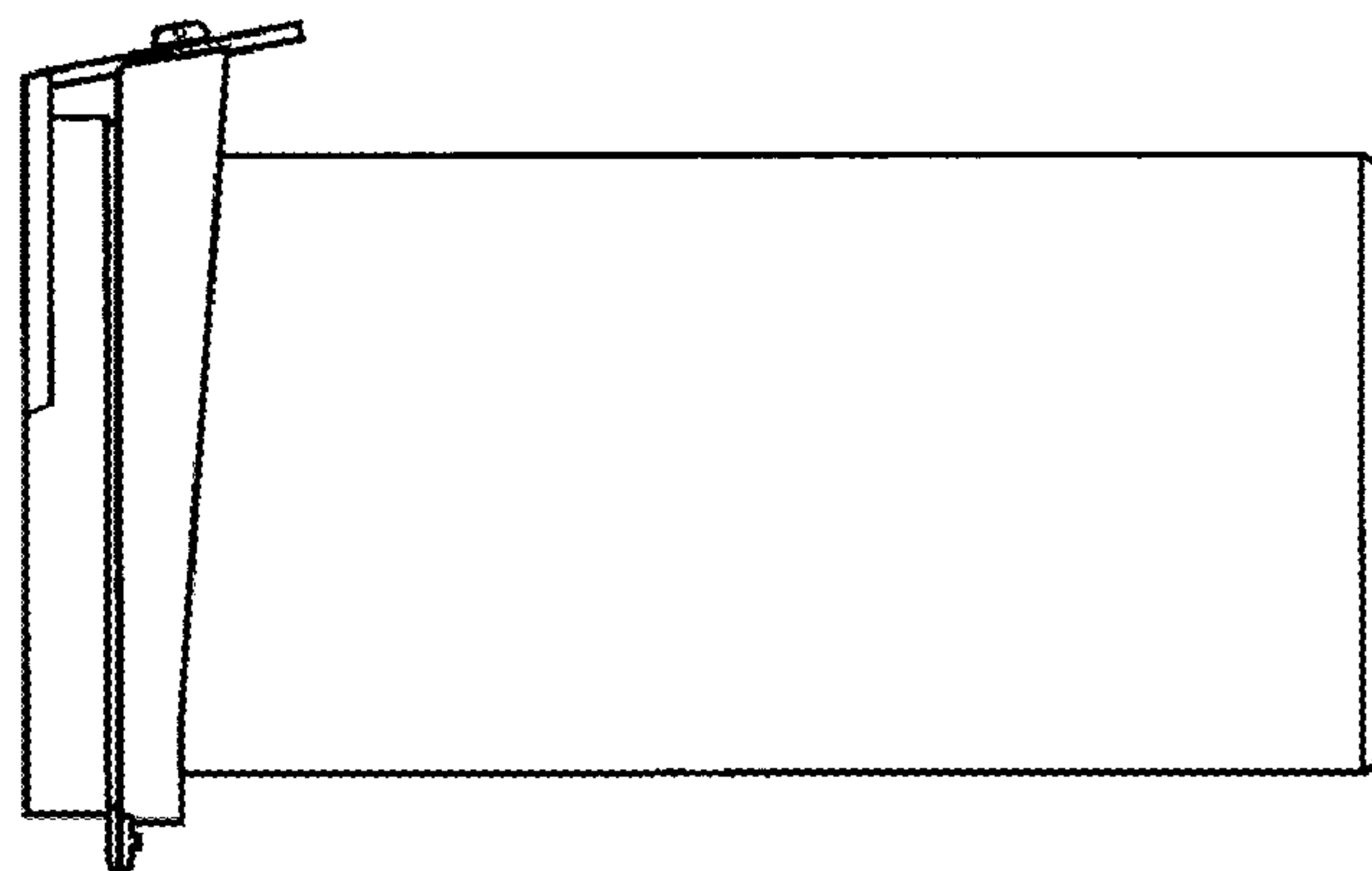


Figure 10

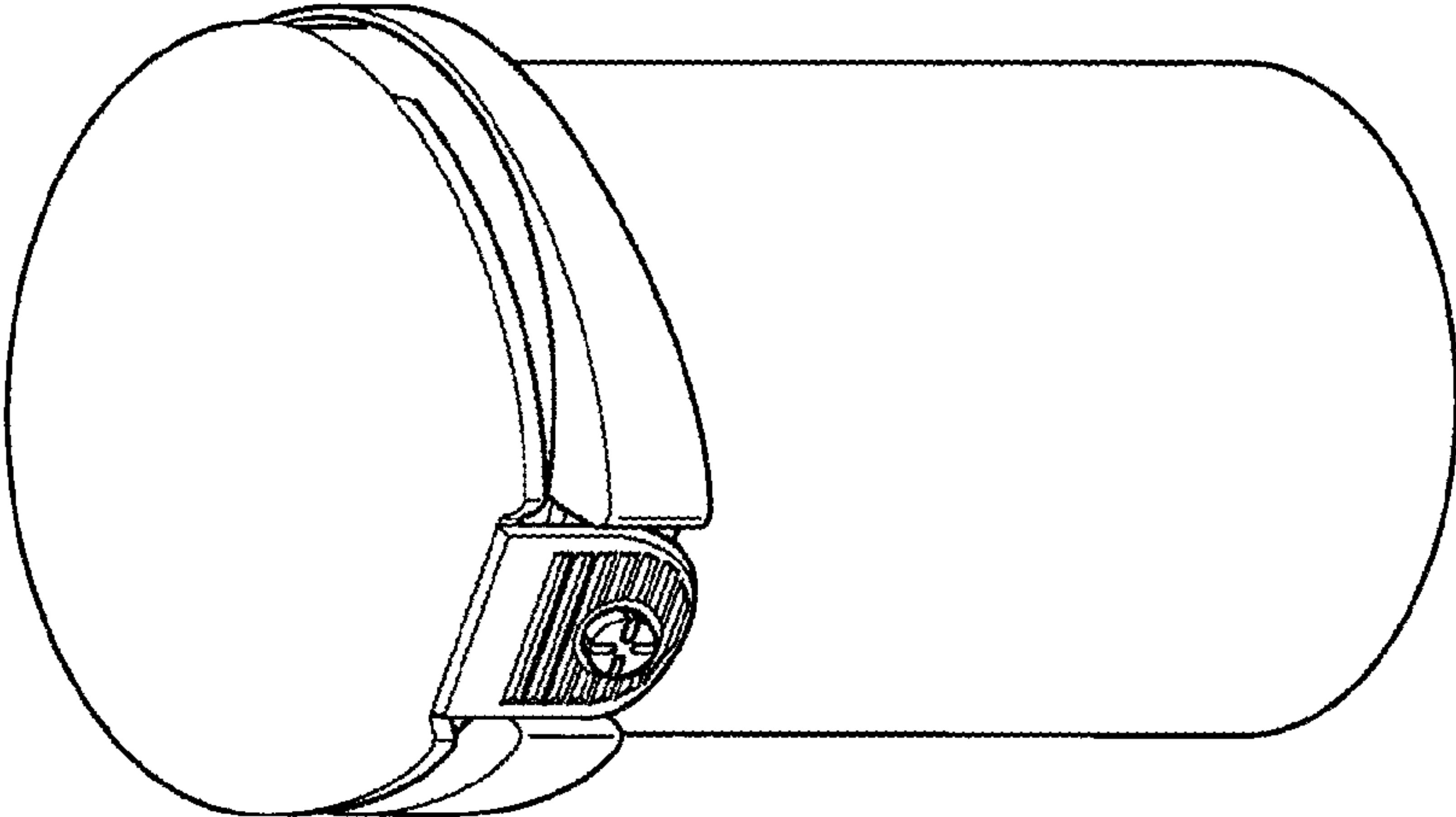


Figure 16

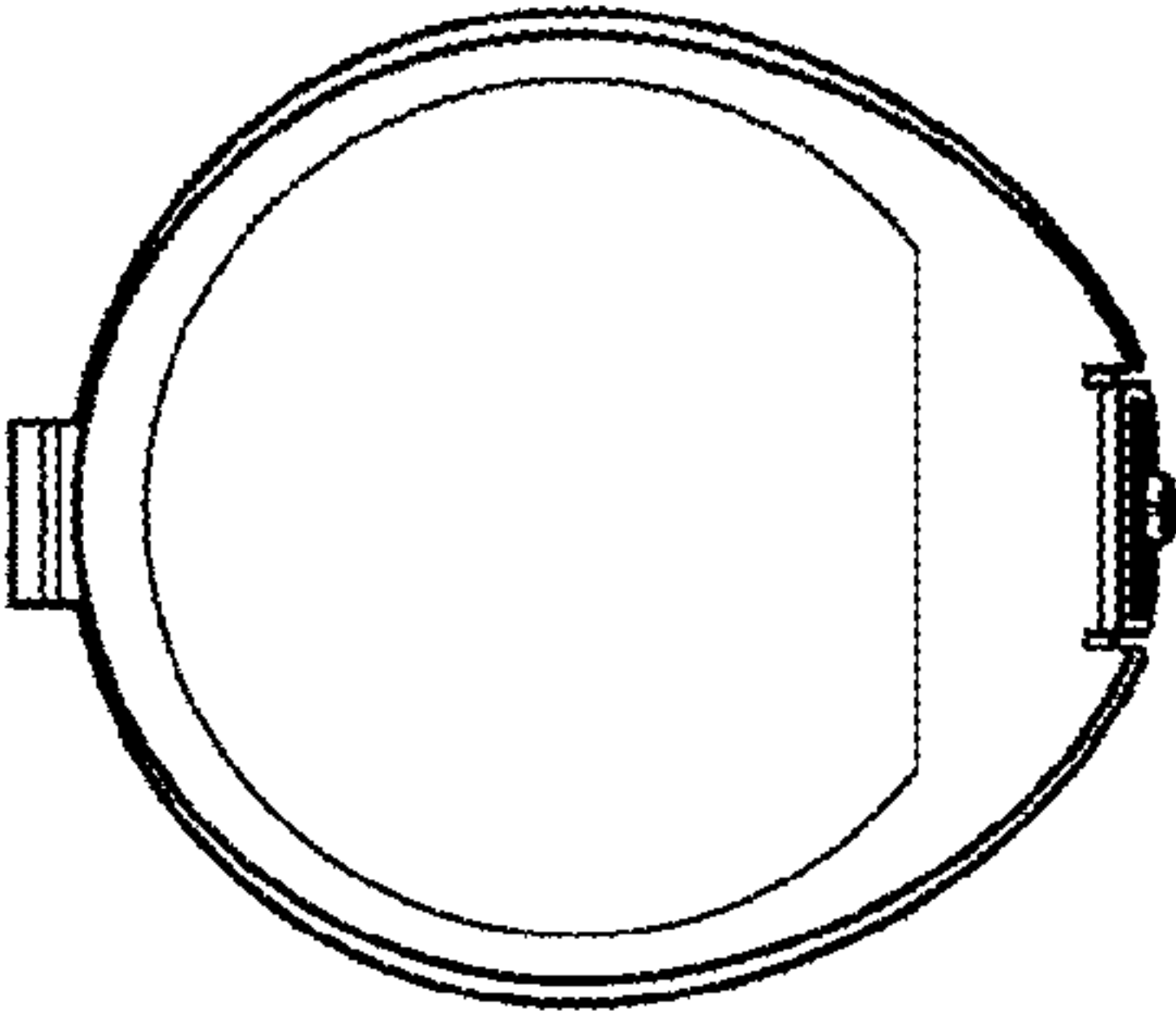


Figure 14

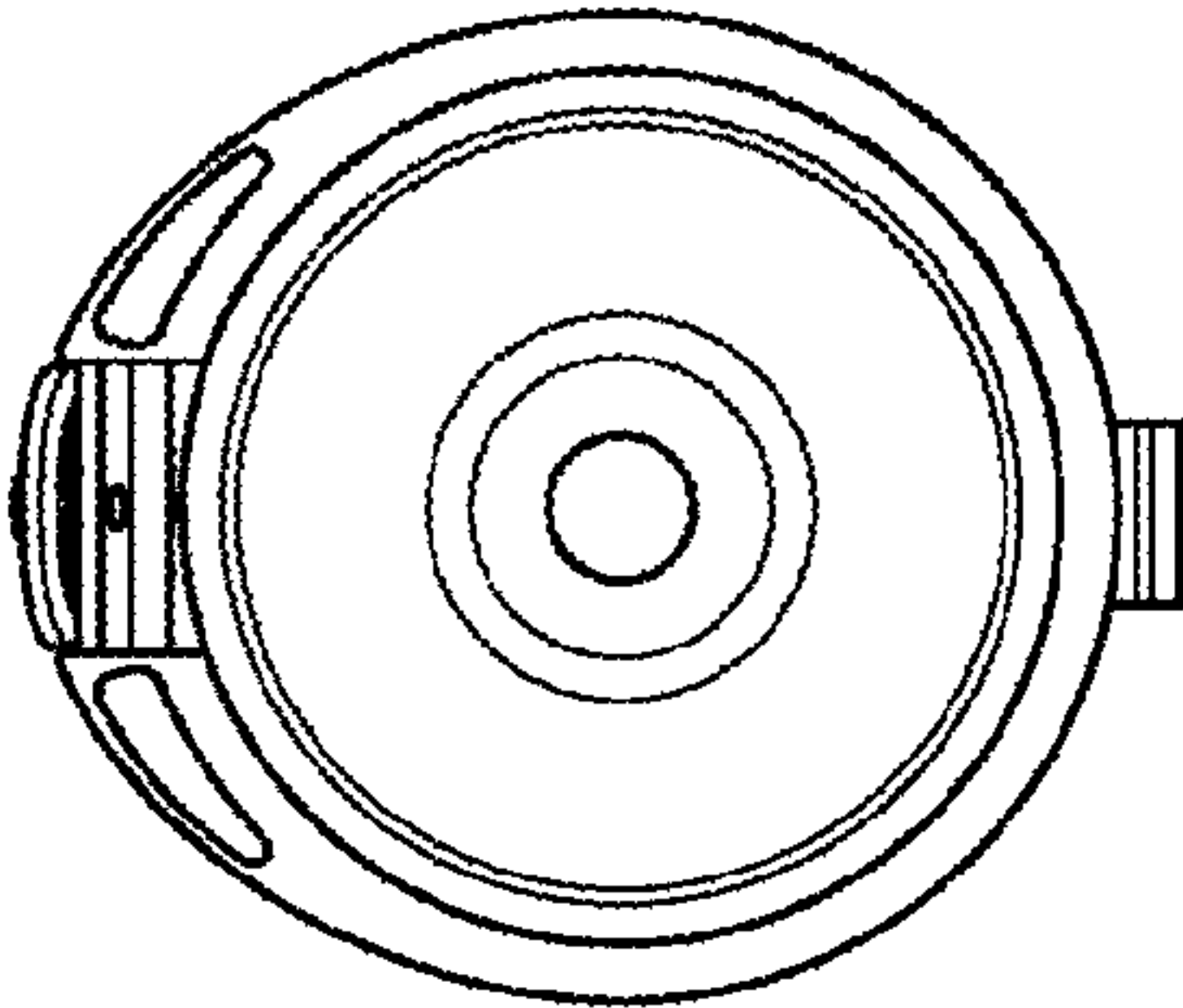


Figure 15

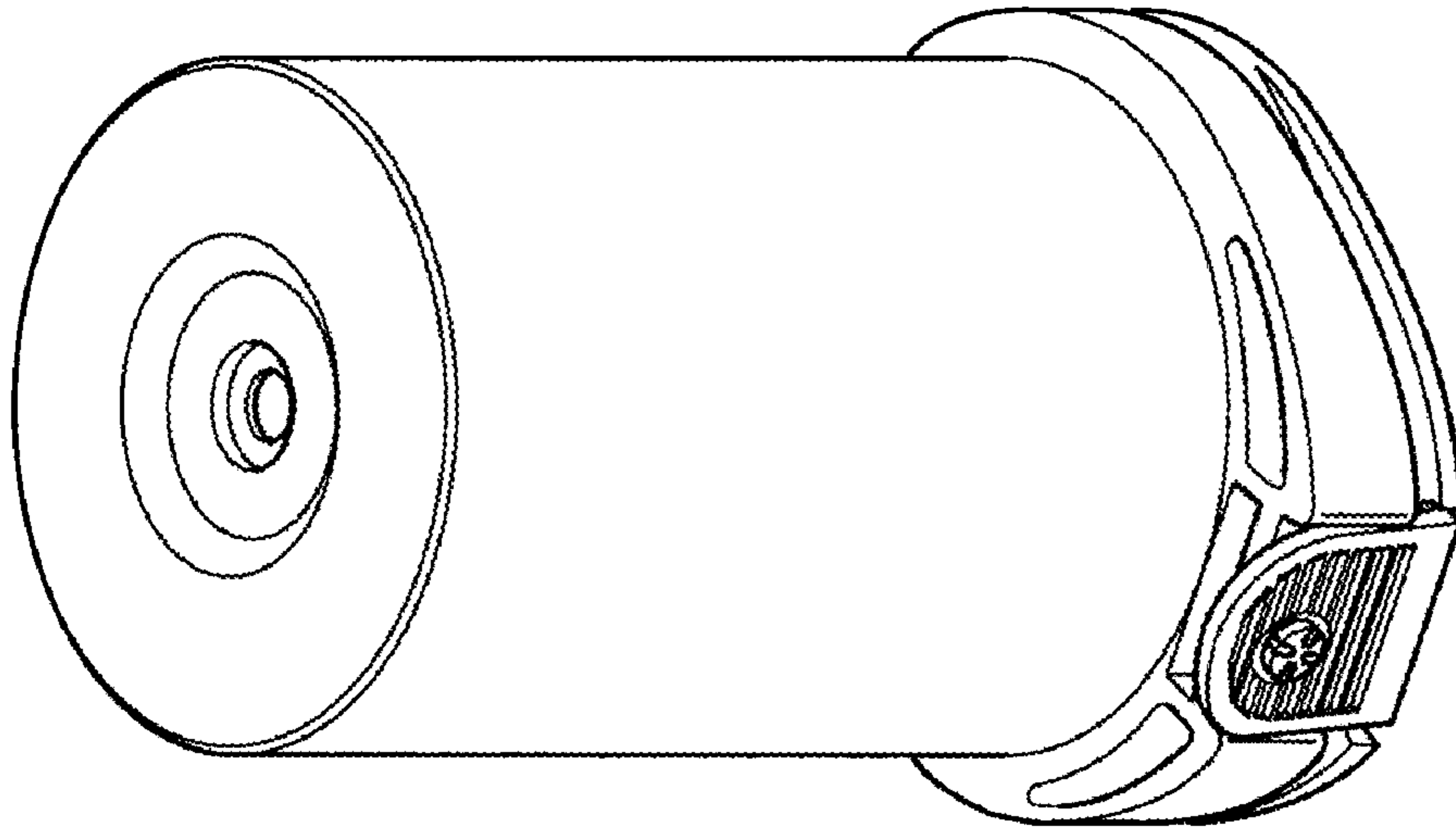


Figure 18

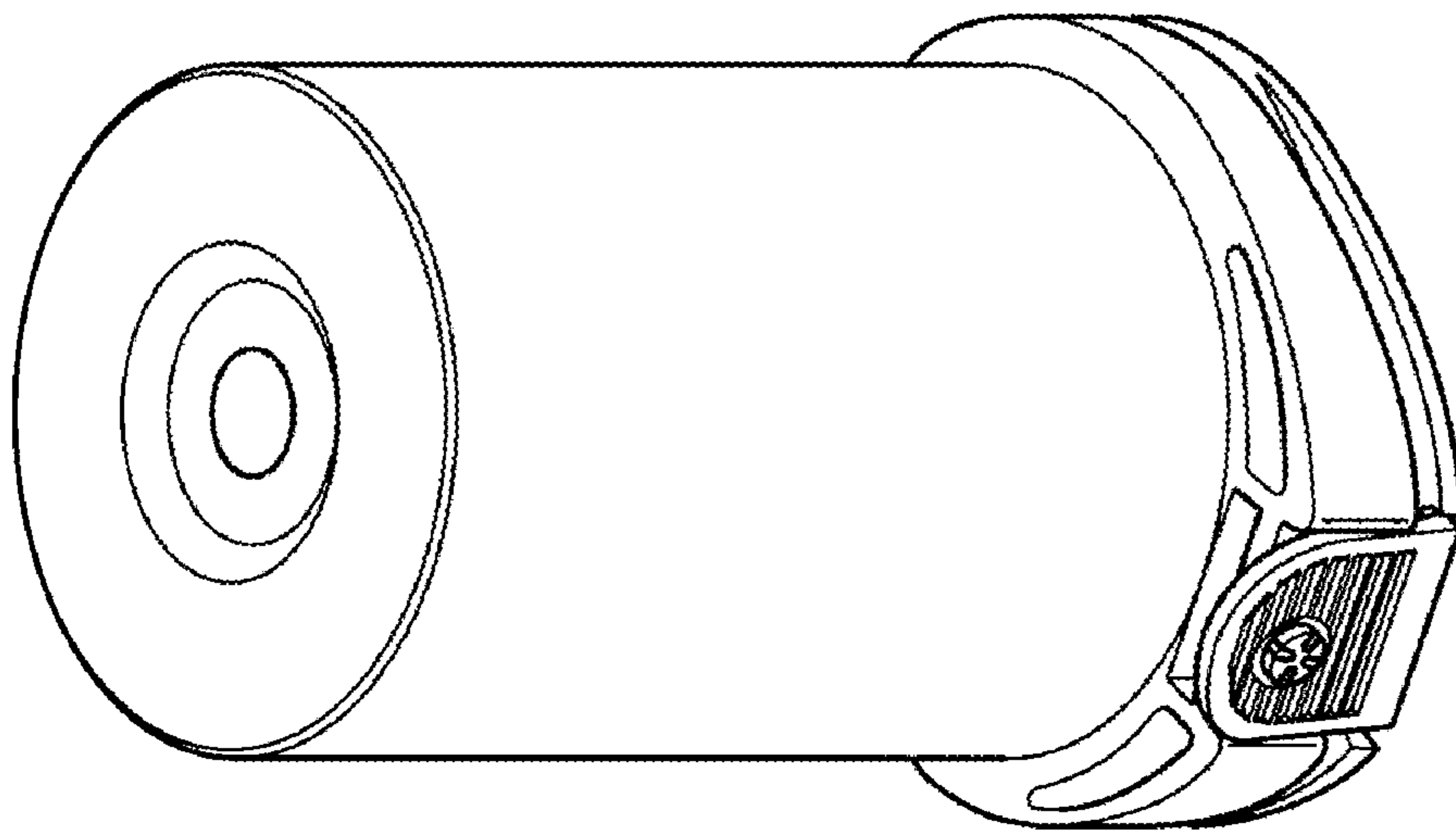


Figure 17



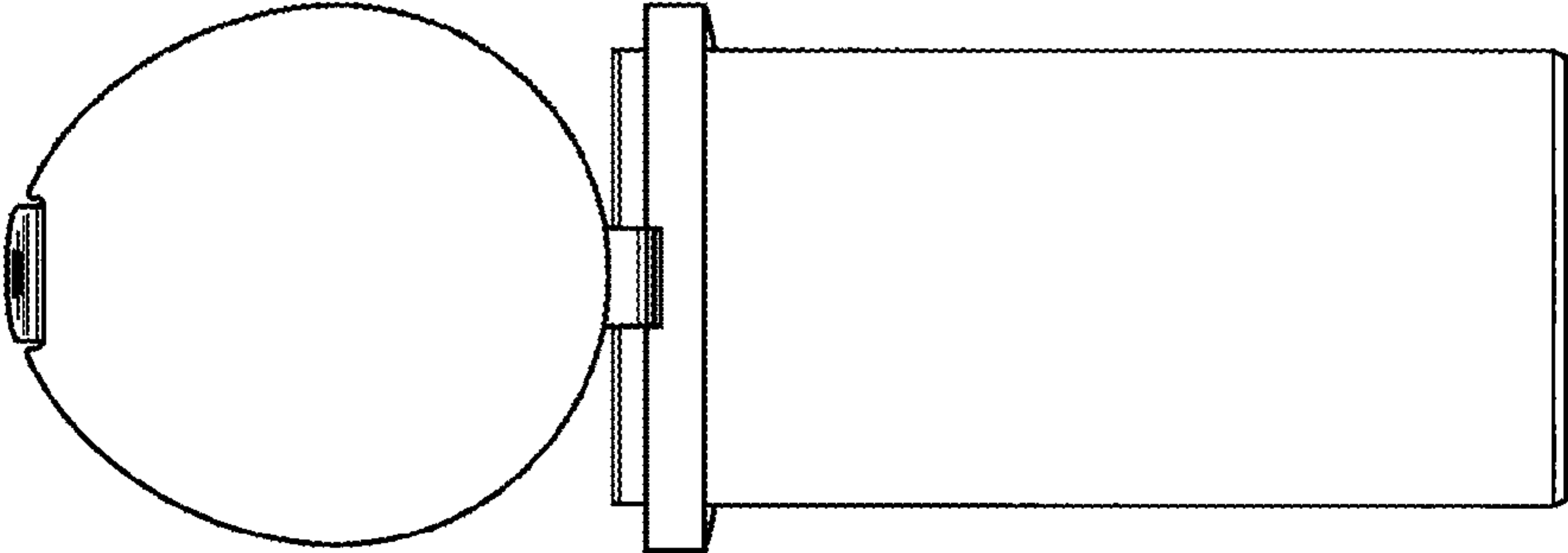


Figure 22

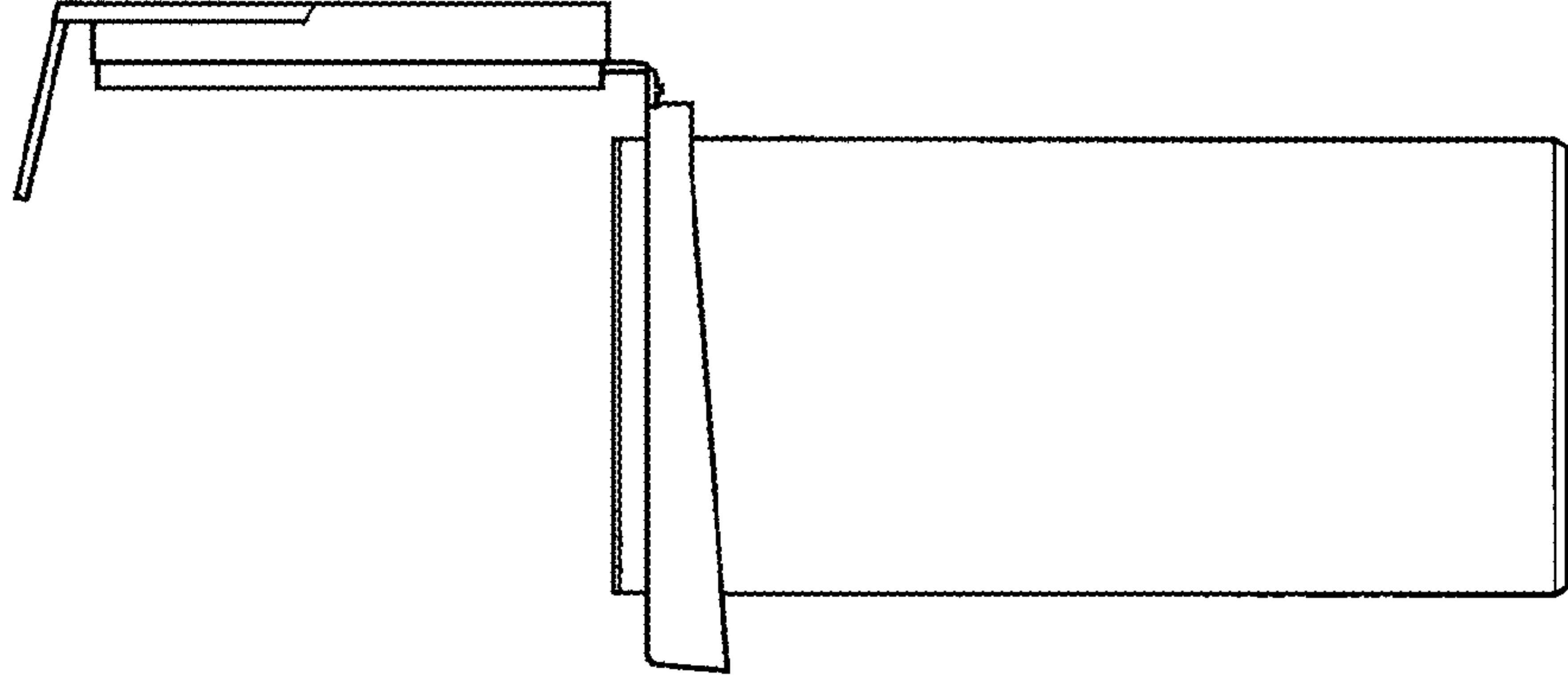


Figure 21

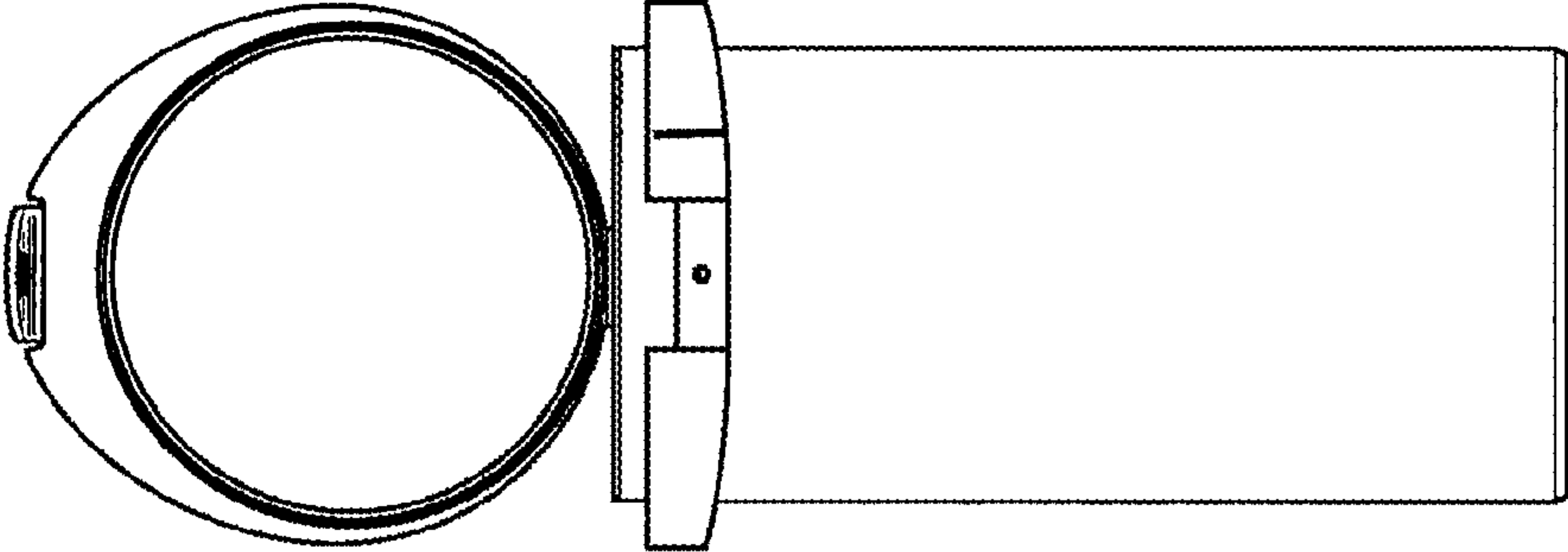


Figure 20

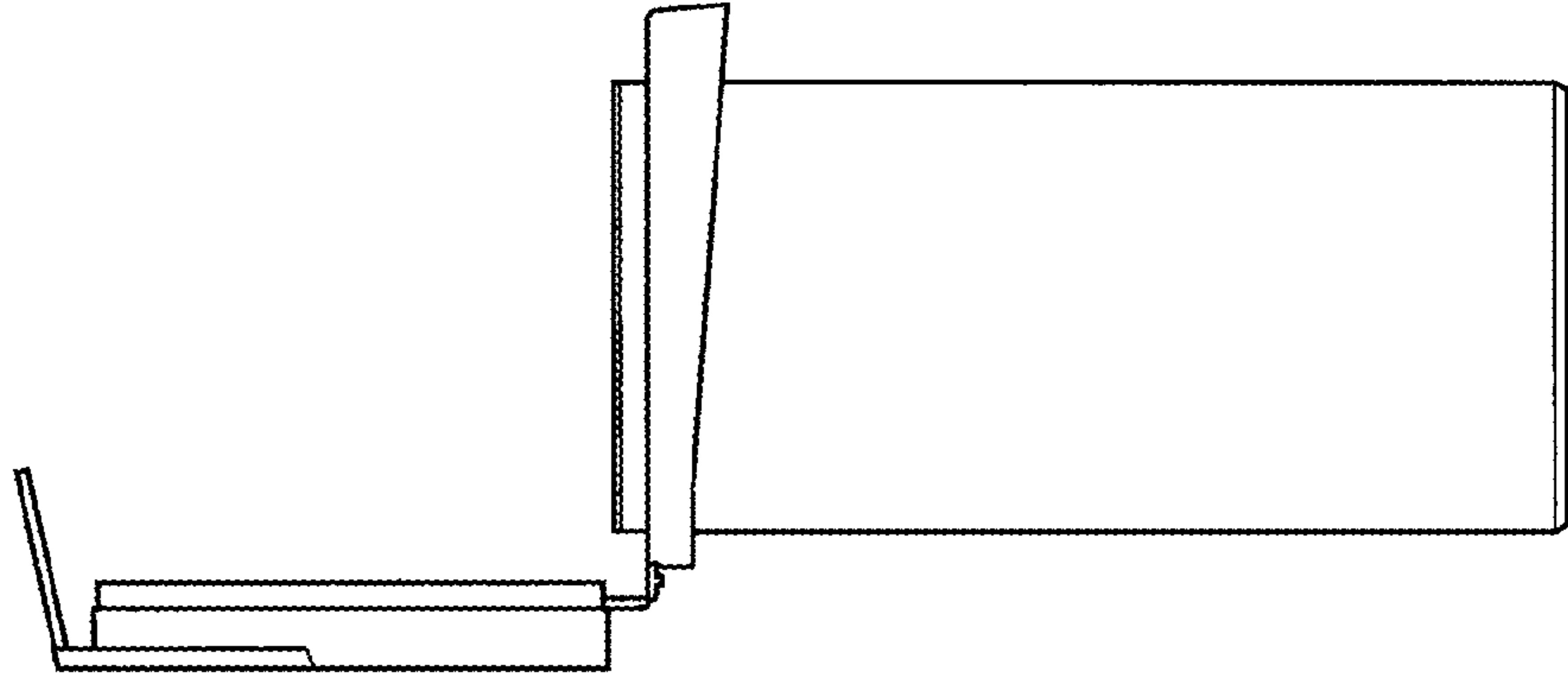


Figure 19

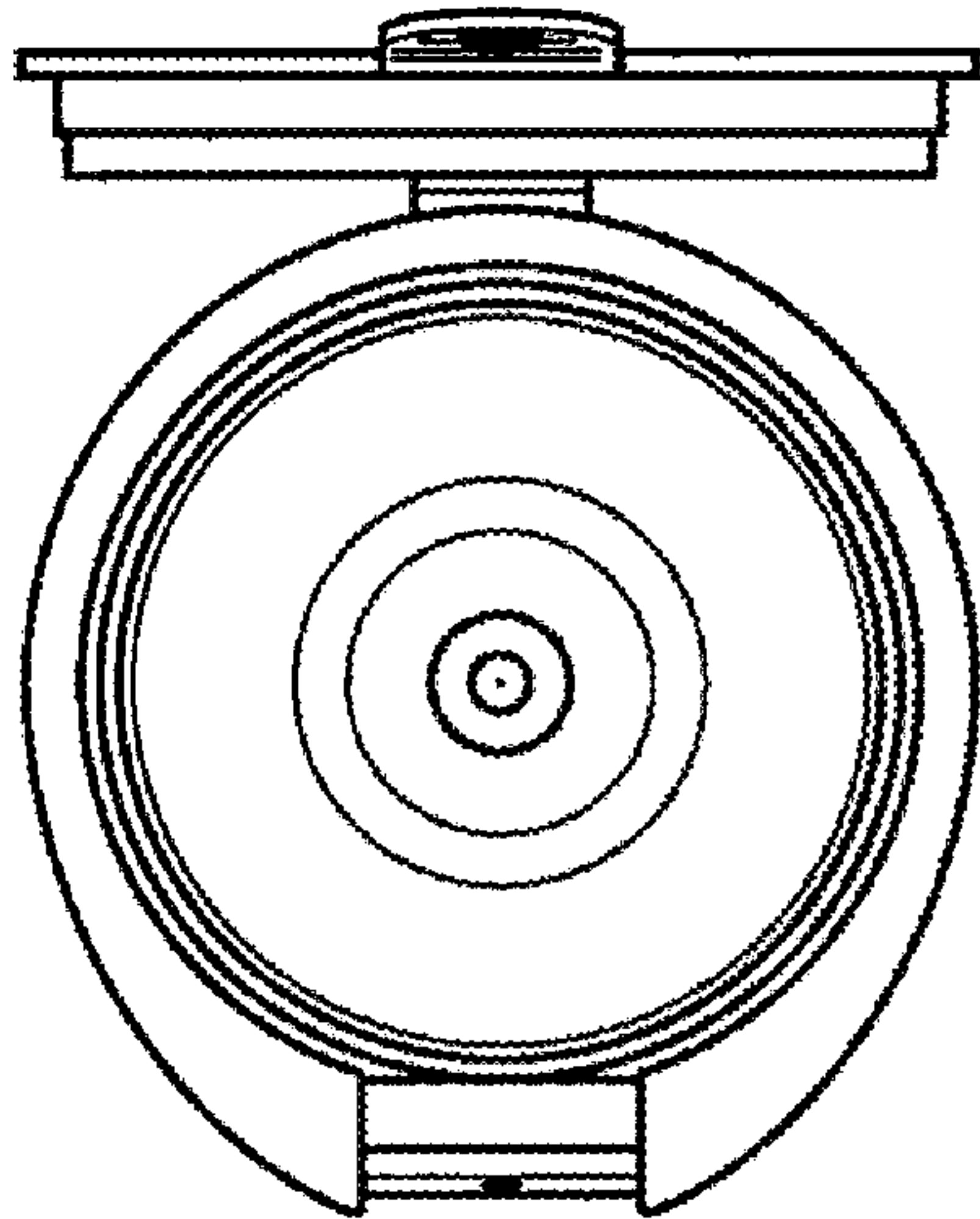


Figure 23

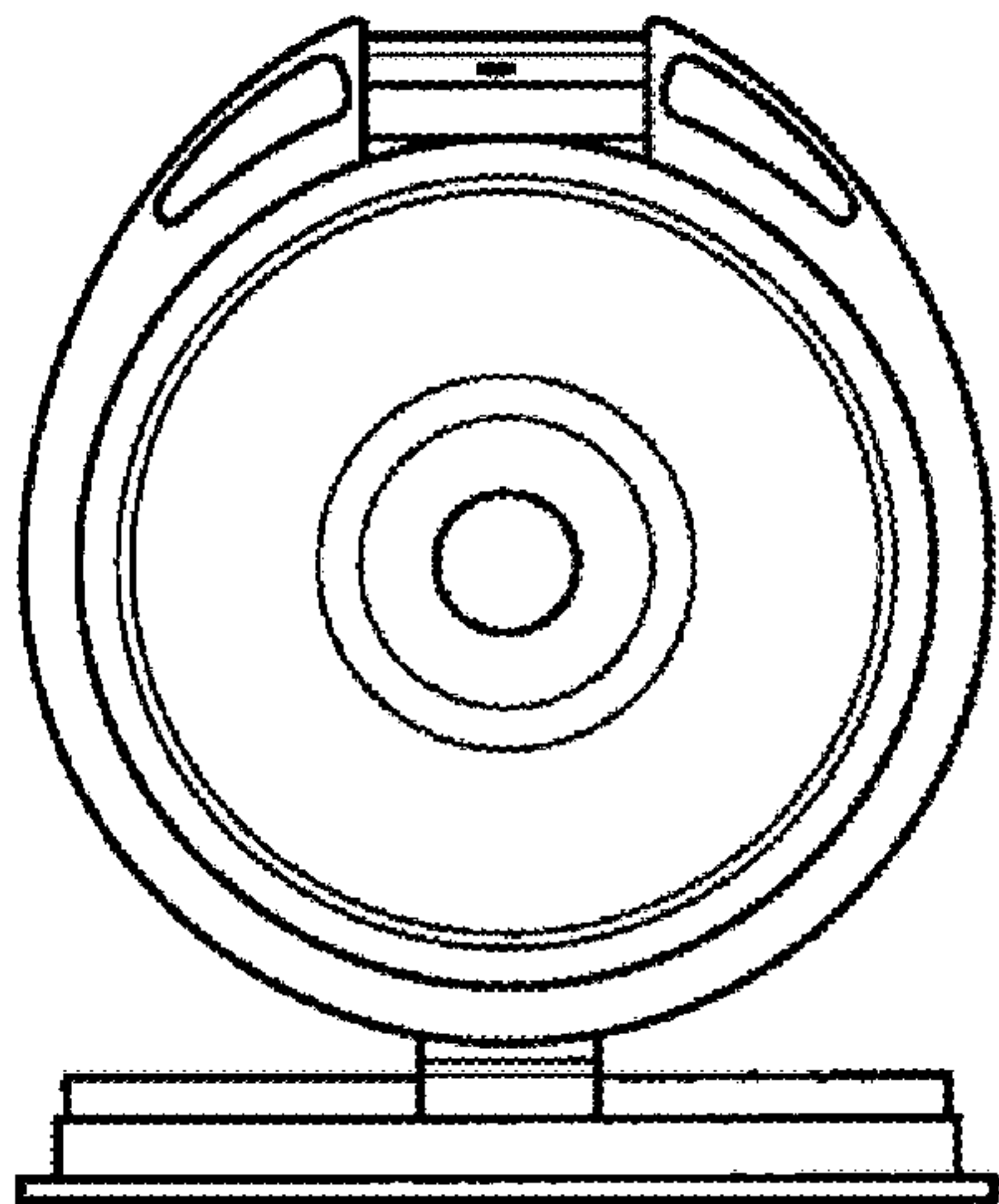


Figure 24

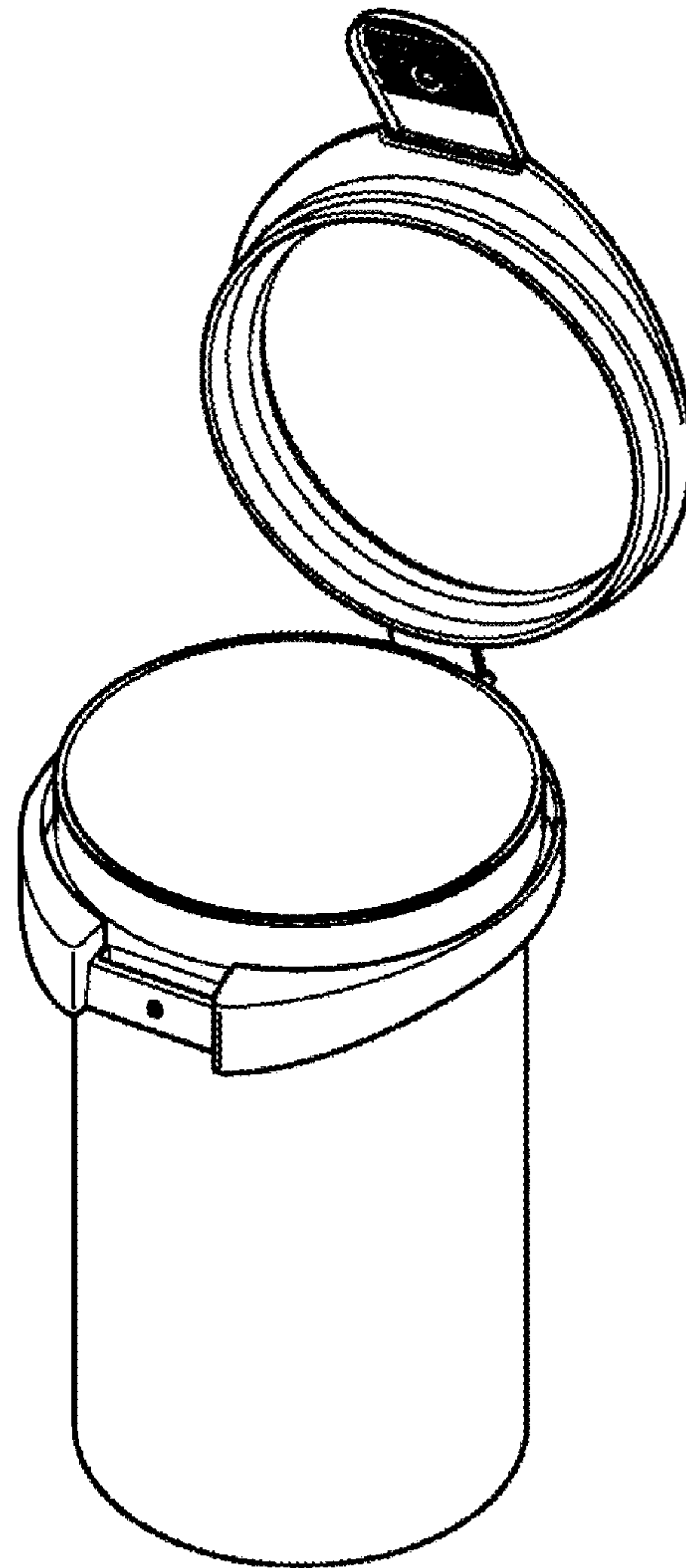


Figure 25

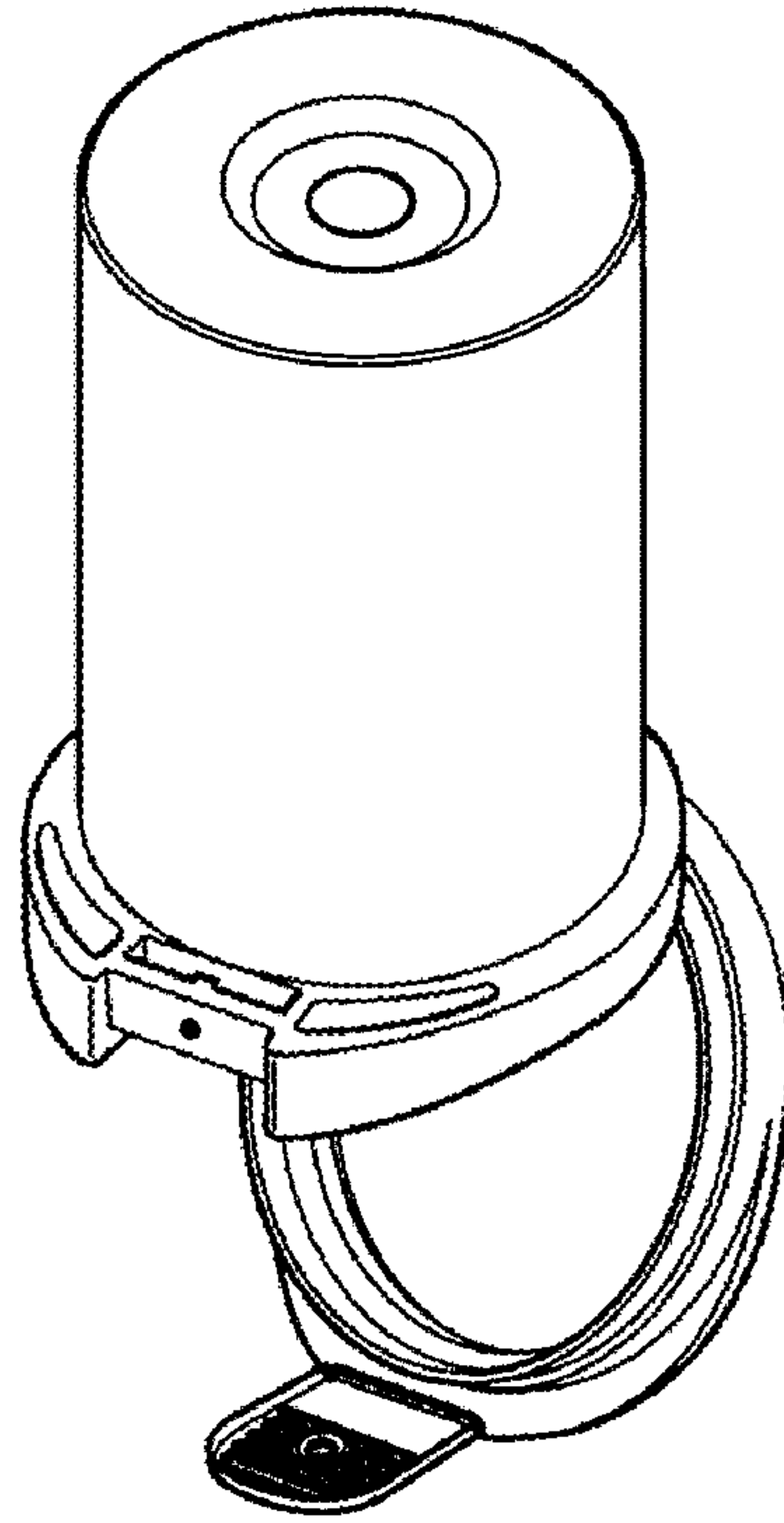


Figure 26

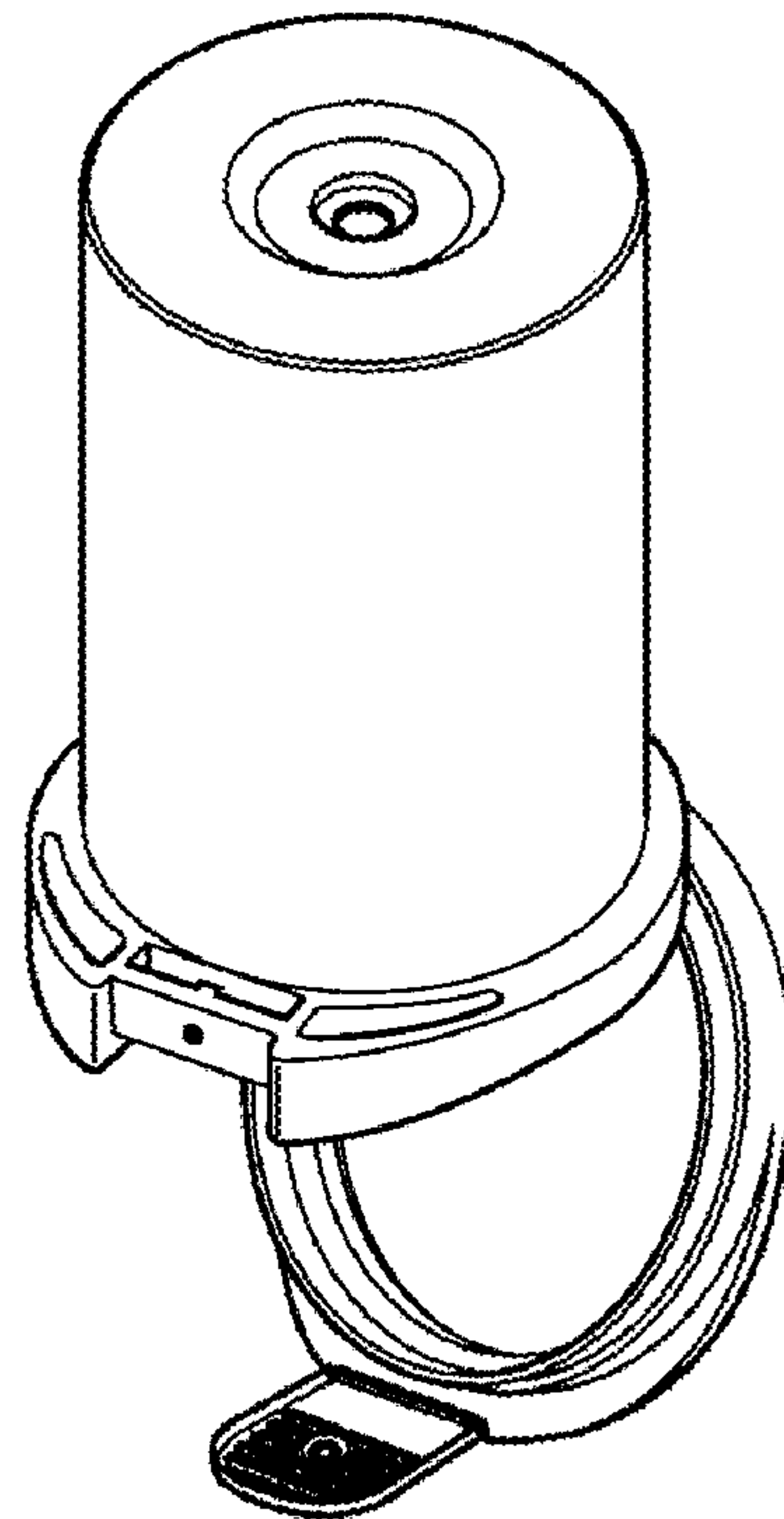


Figure 27

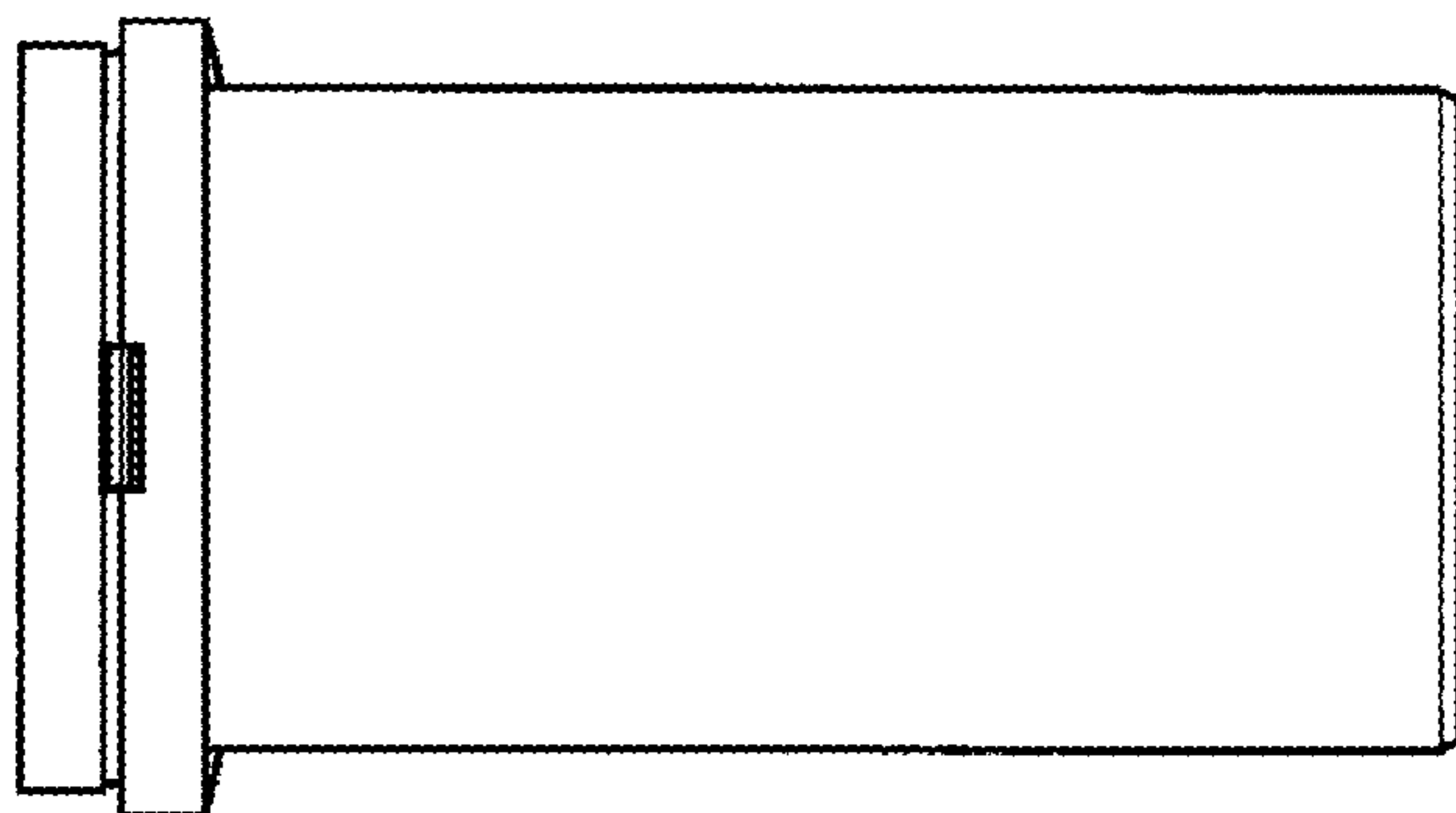


Figure 31

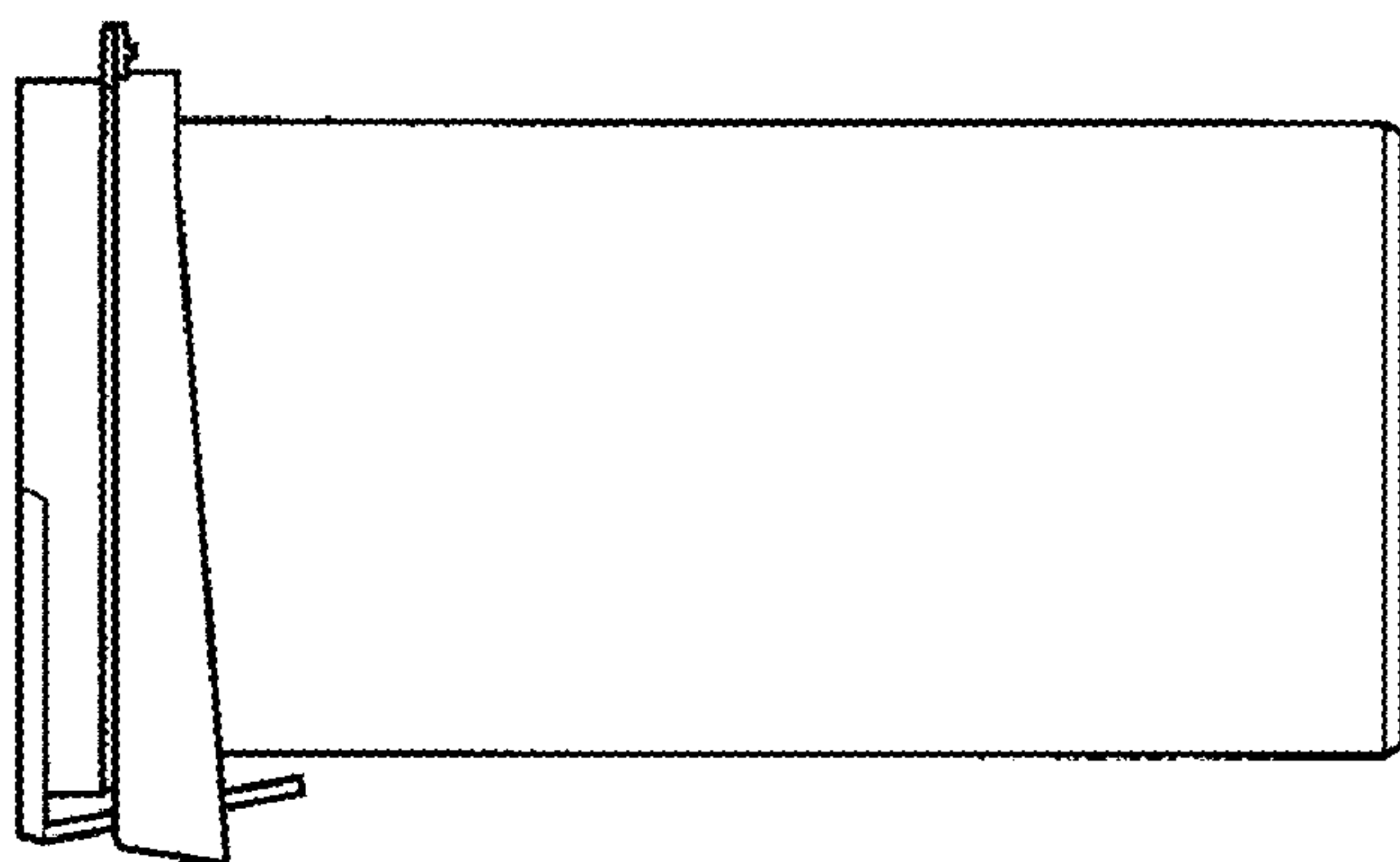


Figure 30

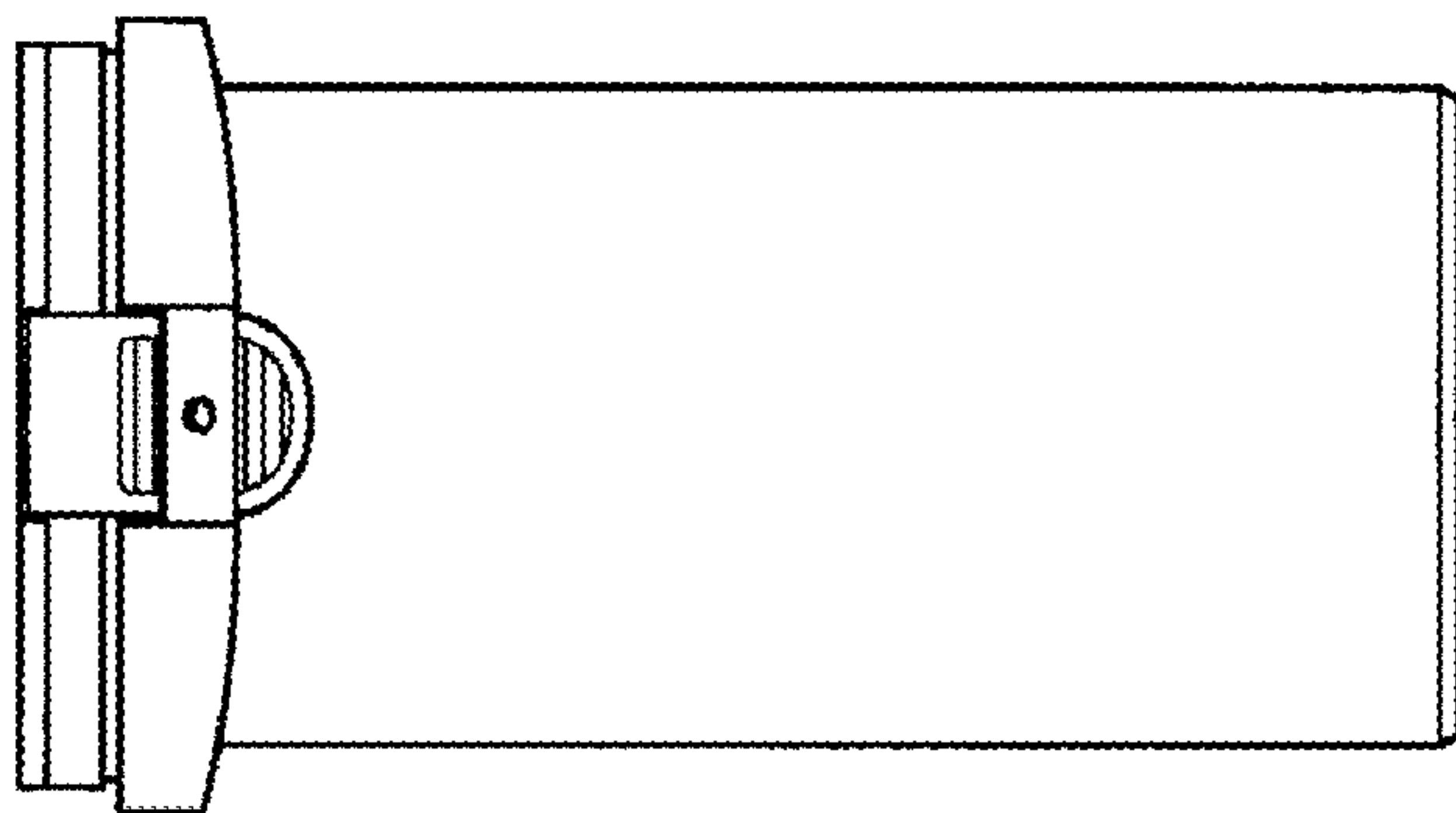


Figure 29

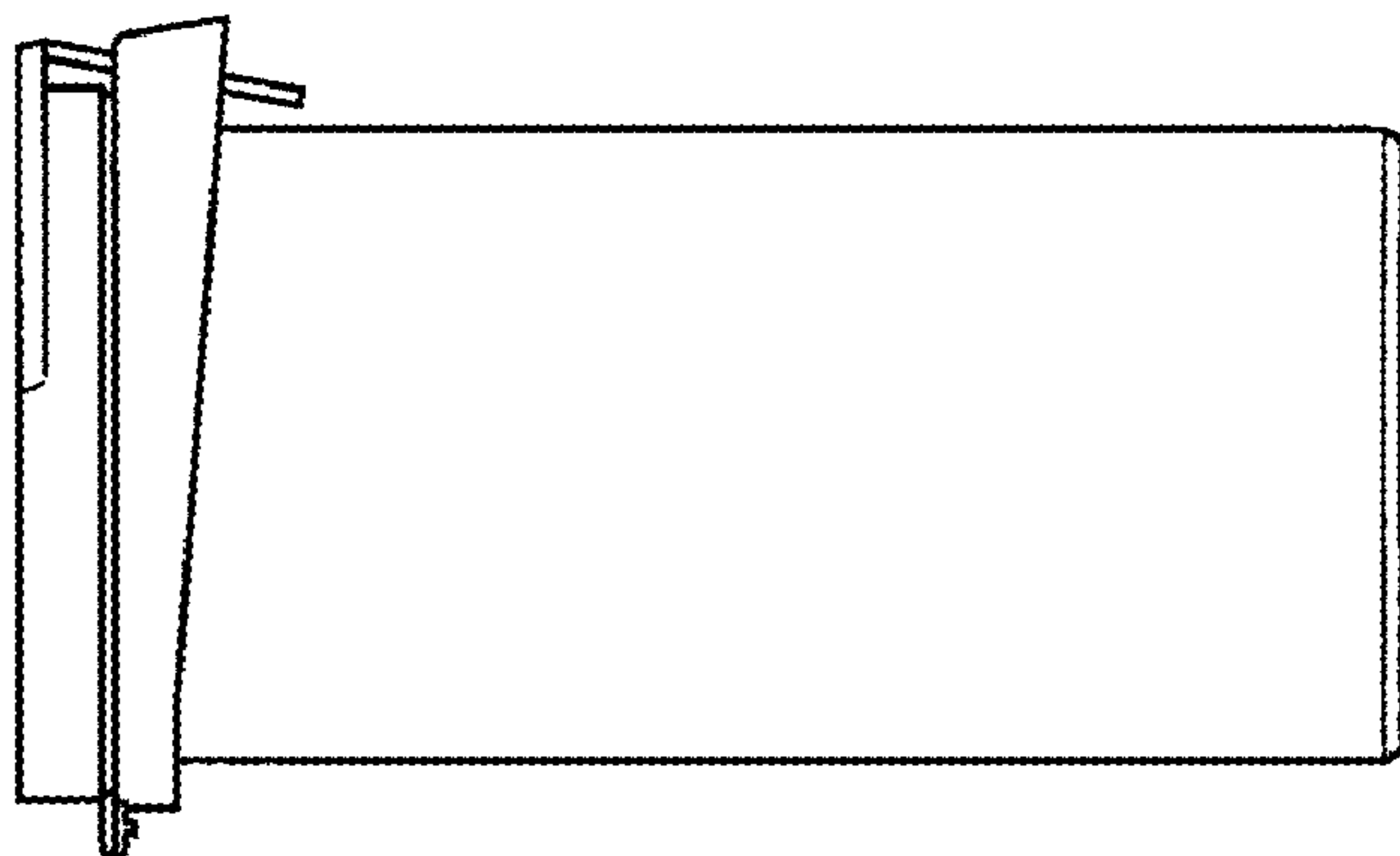


Figure 28

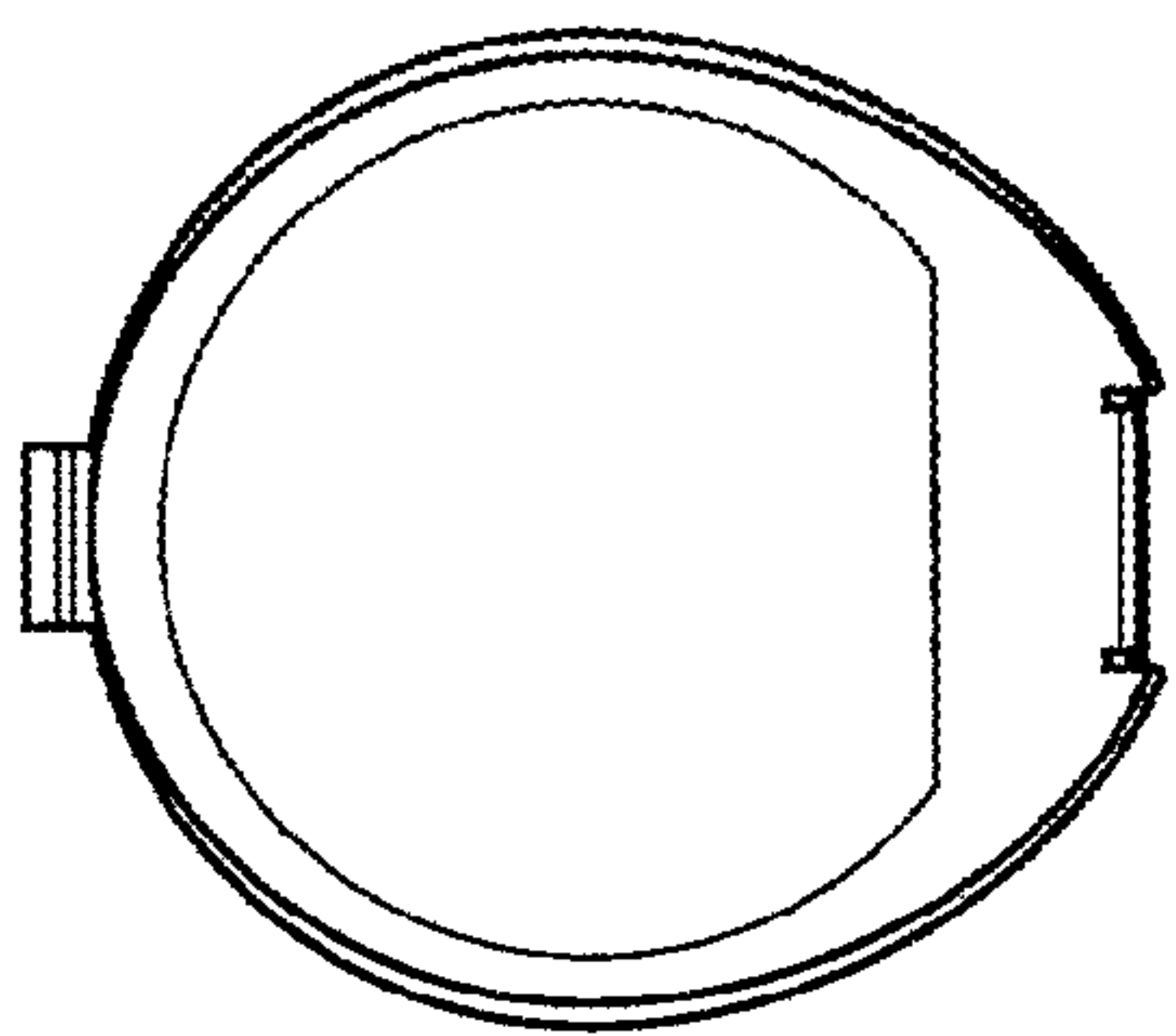


Figure 32

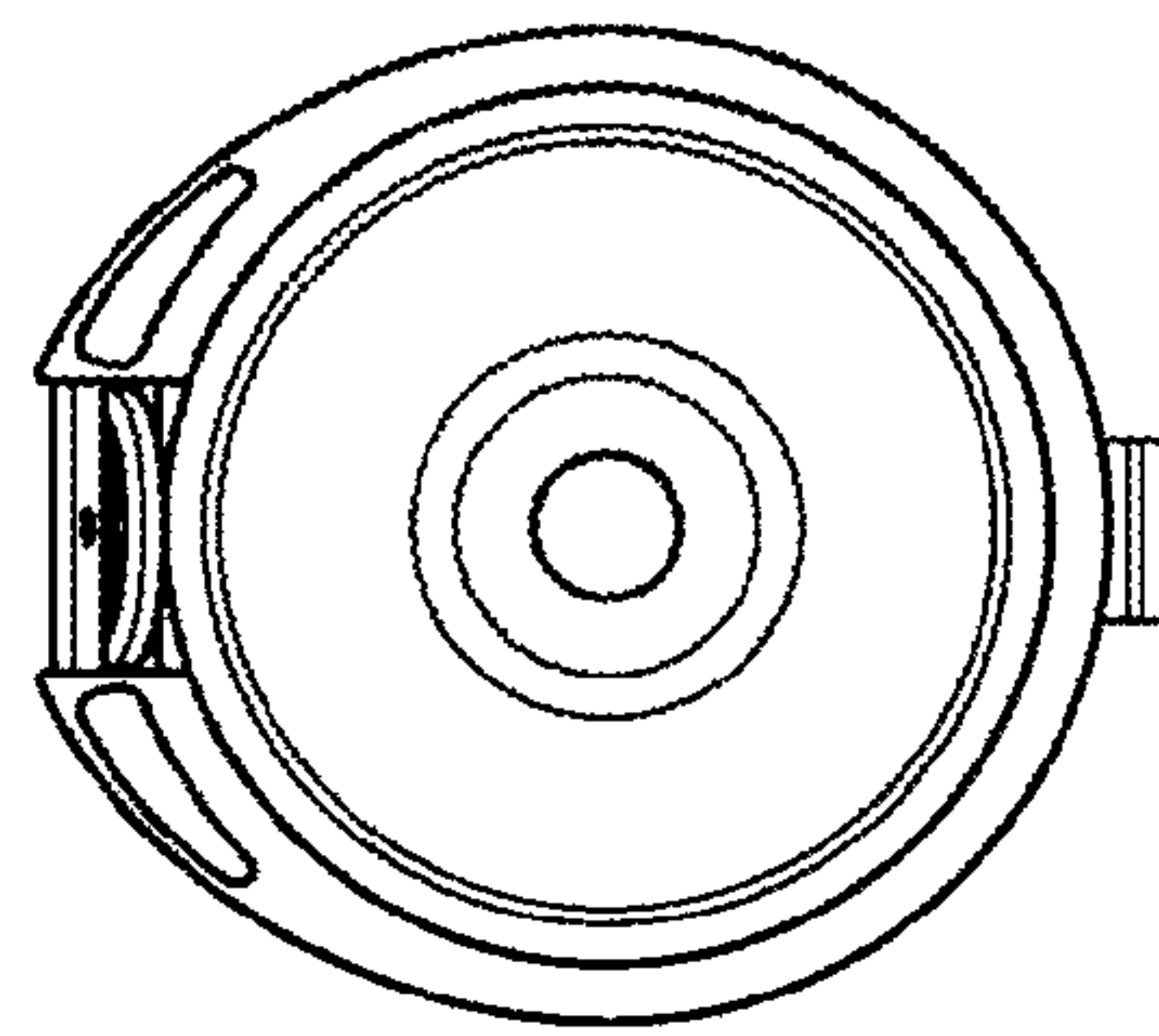


Figure 33

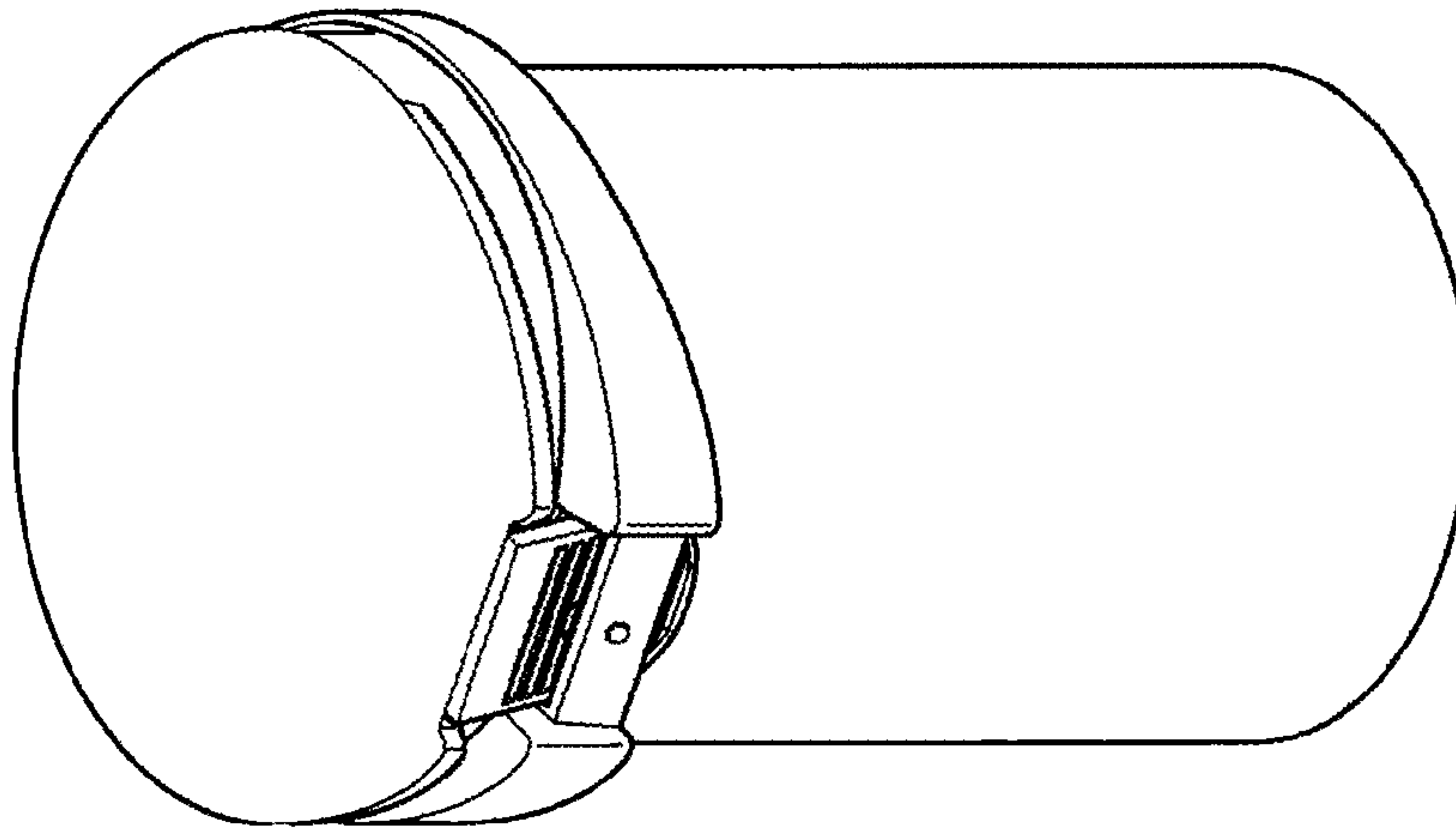


Figure 34



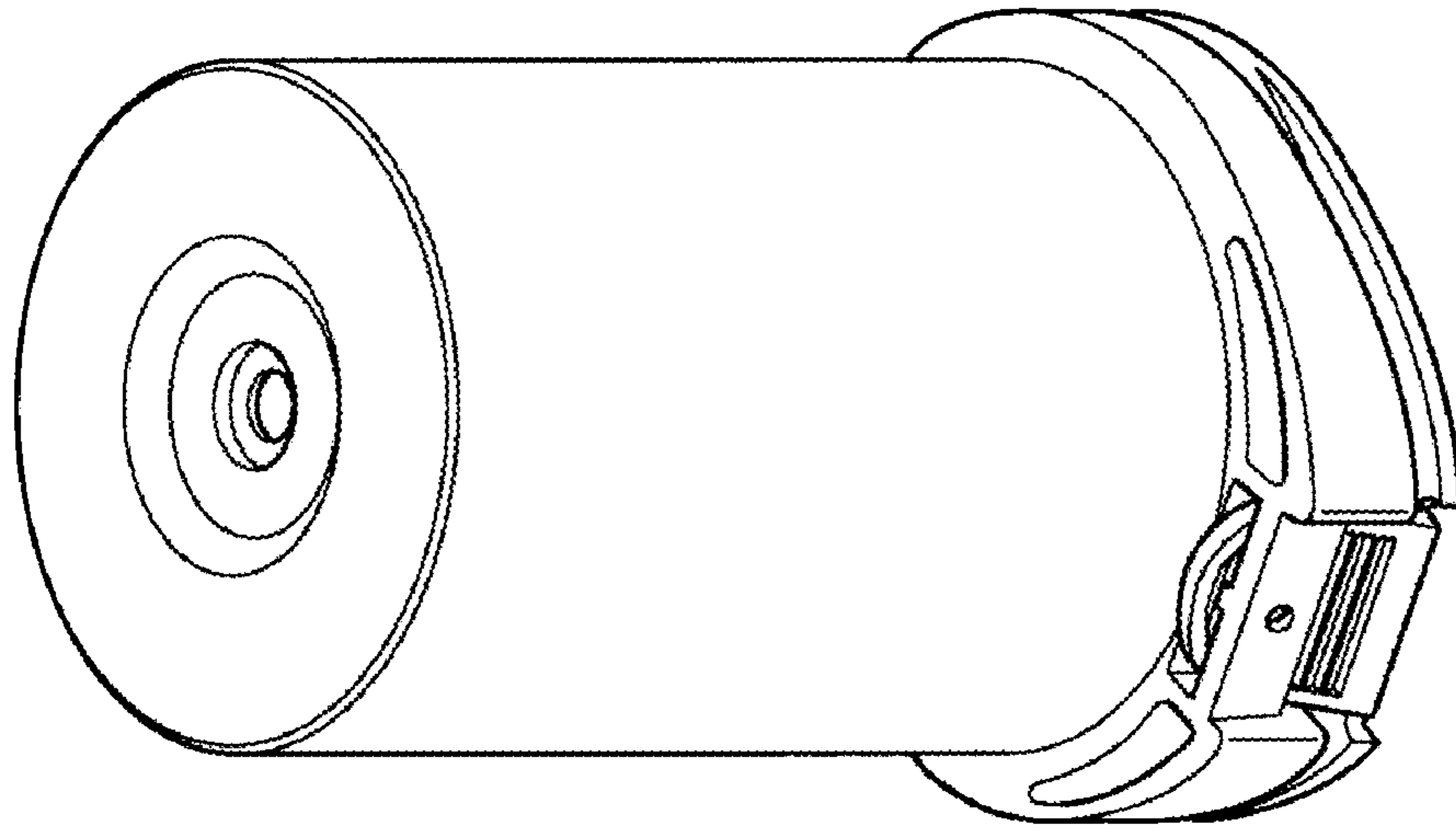


Figure 36

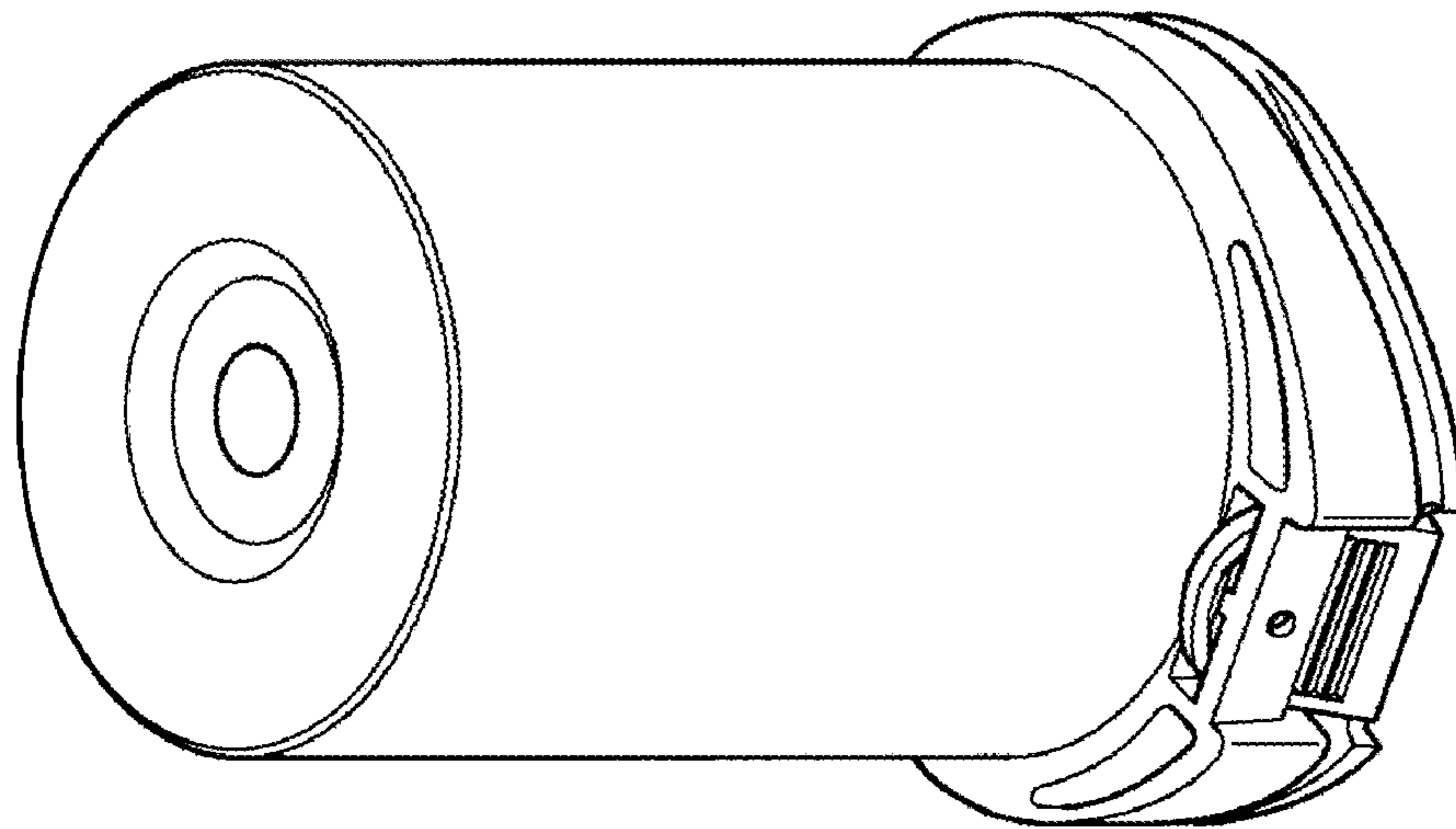


Figure 35

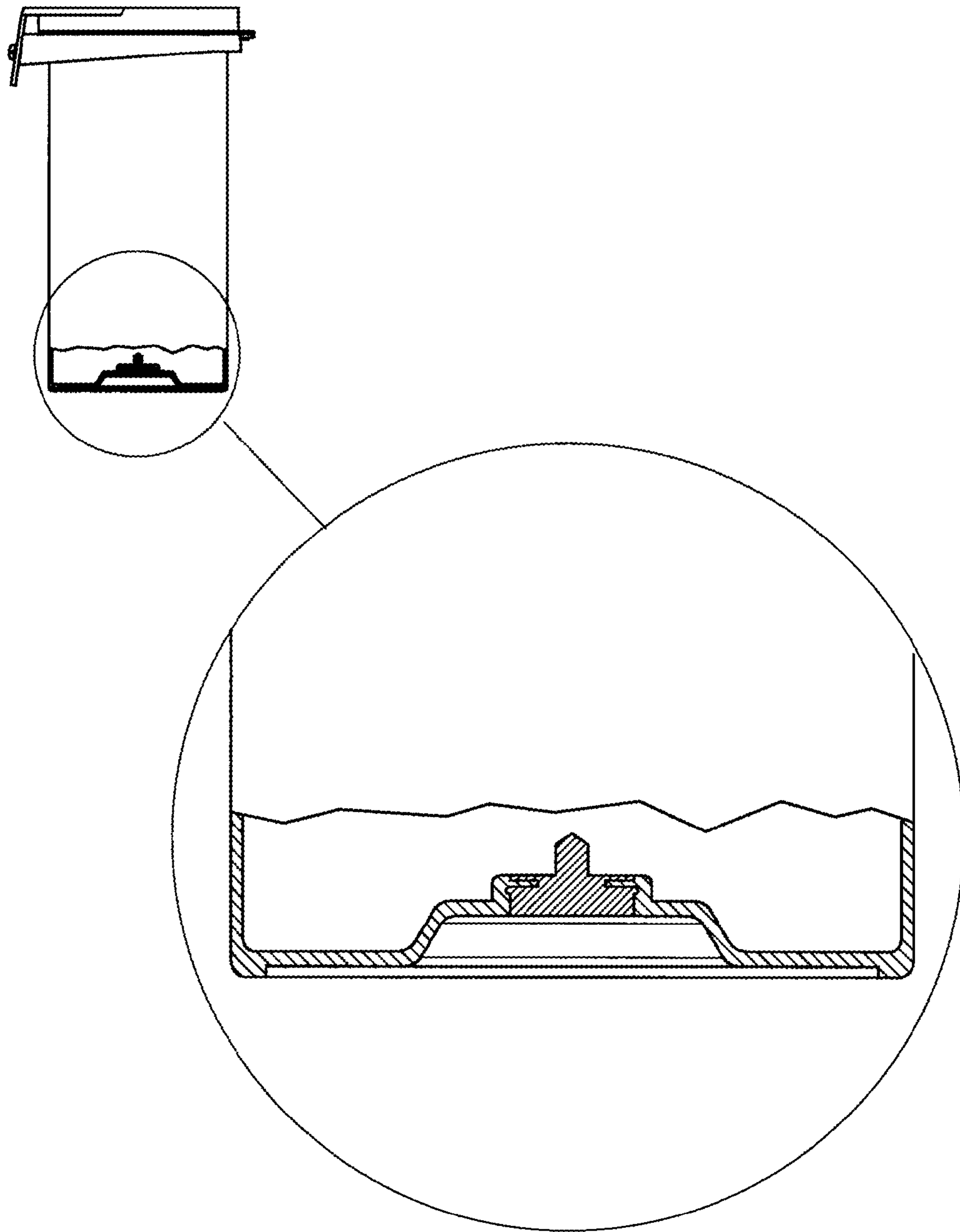


Figure 37

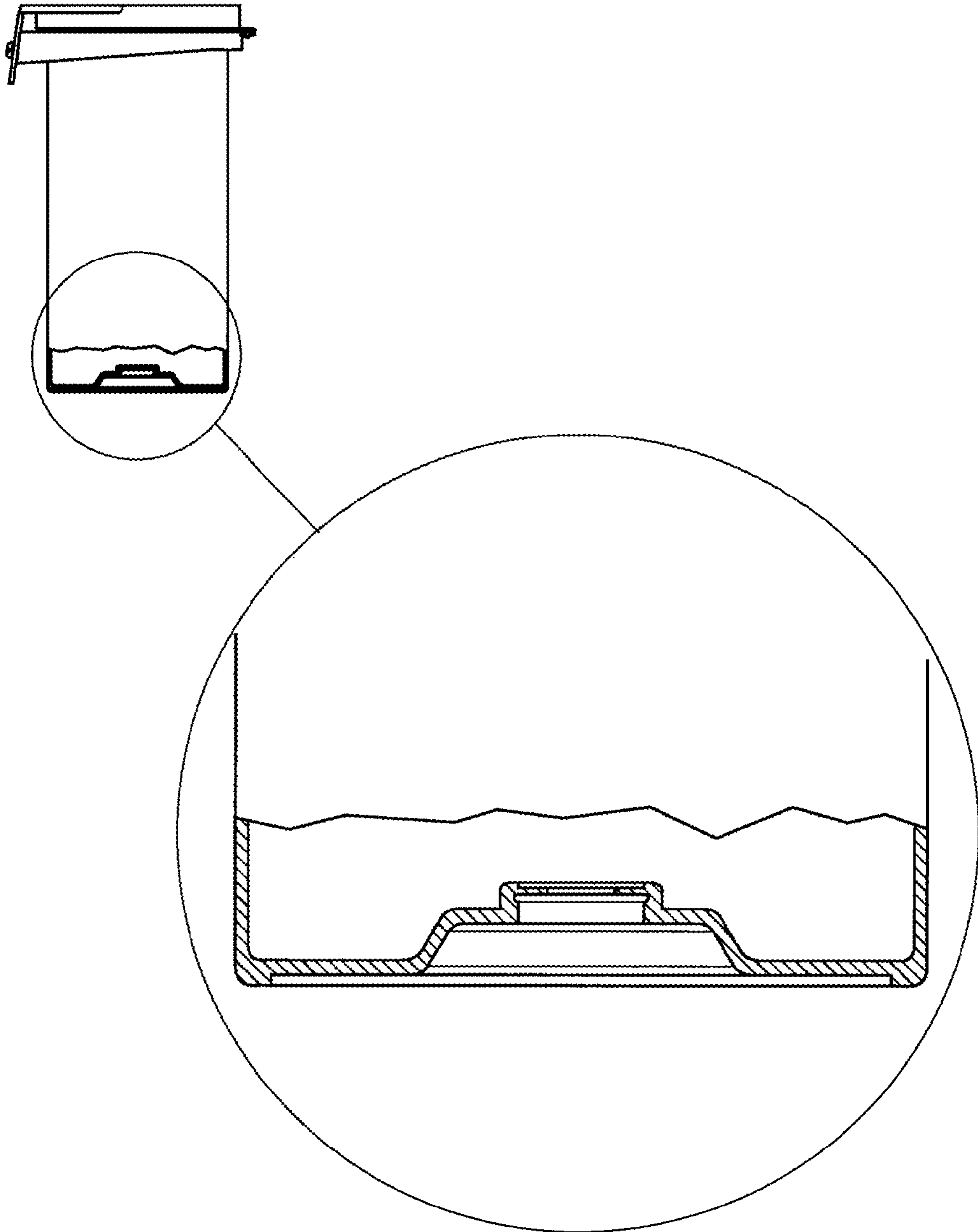


Figure 38