



US00D656284S

(12) **United States Design Patent**  
**Bergman et al.**

(10) **Patent No.:** **US D656,284 S**  
(45) **Date of Patent:** **\*\* Mar. 20, 2012**

(54) **PAINT TRAY**

(75) Inventors: **Mark W. Bergman**, Minnetonka, MN (US); **Christopher M. Bergman**, Hopkins, MN (US); **Matthew V. Leyden**, St. Paul, MN (US); **Jeffrey B. Waffensmith**, North Oaks, MN (US); **Jeffrey T. Given**, St. Paul, MN (US)

(73) Assignee: **Bercom International, LLC**, Chanhassen, MN (US)

(\*\*) Term: **14 Years**

(21) Appl. No.: **29/356,266**

(22) Filed: **Feb. 23, 2010**

D301,785 S	6/1989	Goetz
D302,614 S	8/1989	Beatty
5,201,439 A	4/1993	Davies
6,019,241 A	2/2000	Burns
D444,604 S	7/2001	Hoffert et al.
6,622,340 B2	9/2003	Rosa
6,802,431 B2	10/2004	Schinkel
D524,501 S	7/2006	Prokop et al.
D526,748 S	8/2006	Van Skiver
7,083,044 B1	8/2006	Kilian et al.
7,134,576 B2	11/2006	Gringer et al.
D553,818 S	10/2007	Moon
D569,567 S	5/2008	Kohn
D571,969 S	6/2008	Byers
D586,056 S	2/2009	Shea
2002/0005409 A1	1/2002	Rose
2004/0134917 A1	7/2004	Carnegie
2005/0252920 A1	11/2005	Cumming et al.
2006/0124649 A1	6/2006	Campbell
2006/0225959 A1	10/2006	Pohl
2009/0127266 A1	5/2009	Arvinte et al.

**Related U.S. Application Data**

(62) Division of application No. 29/345,396, filed on Oct. 15, 2009, now Pat. No. Des. 613,016, which is a division of application No. 29/332,142, filed on Feb. 10, 2009, now Pat. No. Des. 604,920.

(51) **LOC (9) Cl.** ..... **07-07**

(52) **U.S. Cl.** ..... **D32/53.1**

(58) **Field of Classification Search** ..... D32/53, D32/53.1, 54; 15/257.01-257.06, 570  
See application file for complete search history.

(56) **References Cited**

**U.S. PATENT DOCUMENTS**

2,922,176 A	1/1960	Bernhardt
2,950,032 A	8/1960	Willis et al.
D193,382 S	8/1962	Goetz
3,157,902 A	11/1964	Hardwick
D208,969 S	10/1967	Paxton
D211,611 S	7/1968	Fox, Jr. et al.
3,828,389 A	8/1974	Heisler
3,947,135 A	3/1976	Hawk
4,023,702 A	5/1977	McKnight
4,445,250 A	5/1984	Seidl

*Primary Examiner* — Robin V Webster

(74) *Attorney, Agent, or Firm* — Westman, Champlin & Kelly

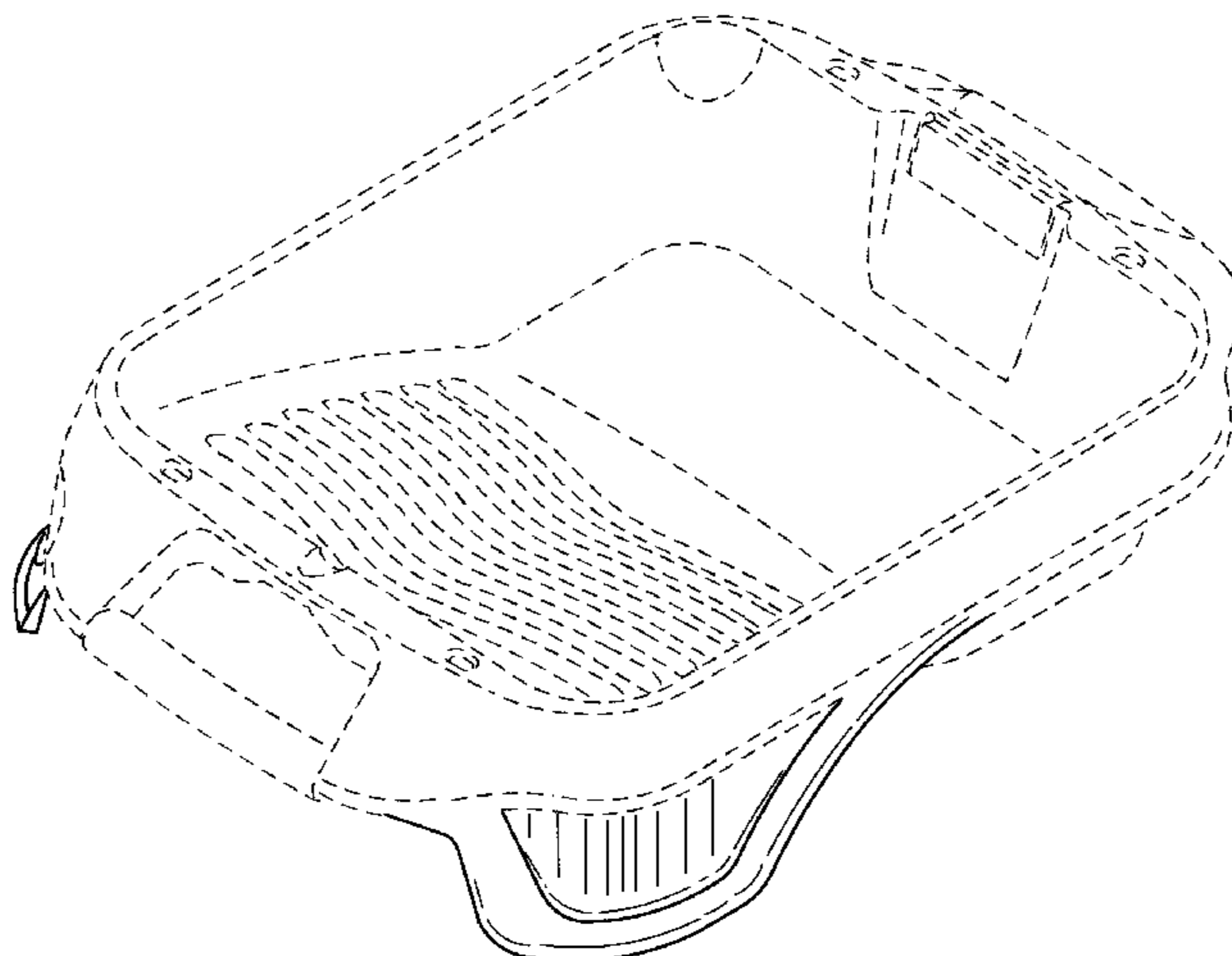
(57) **CLAIM**

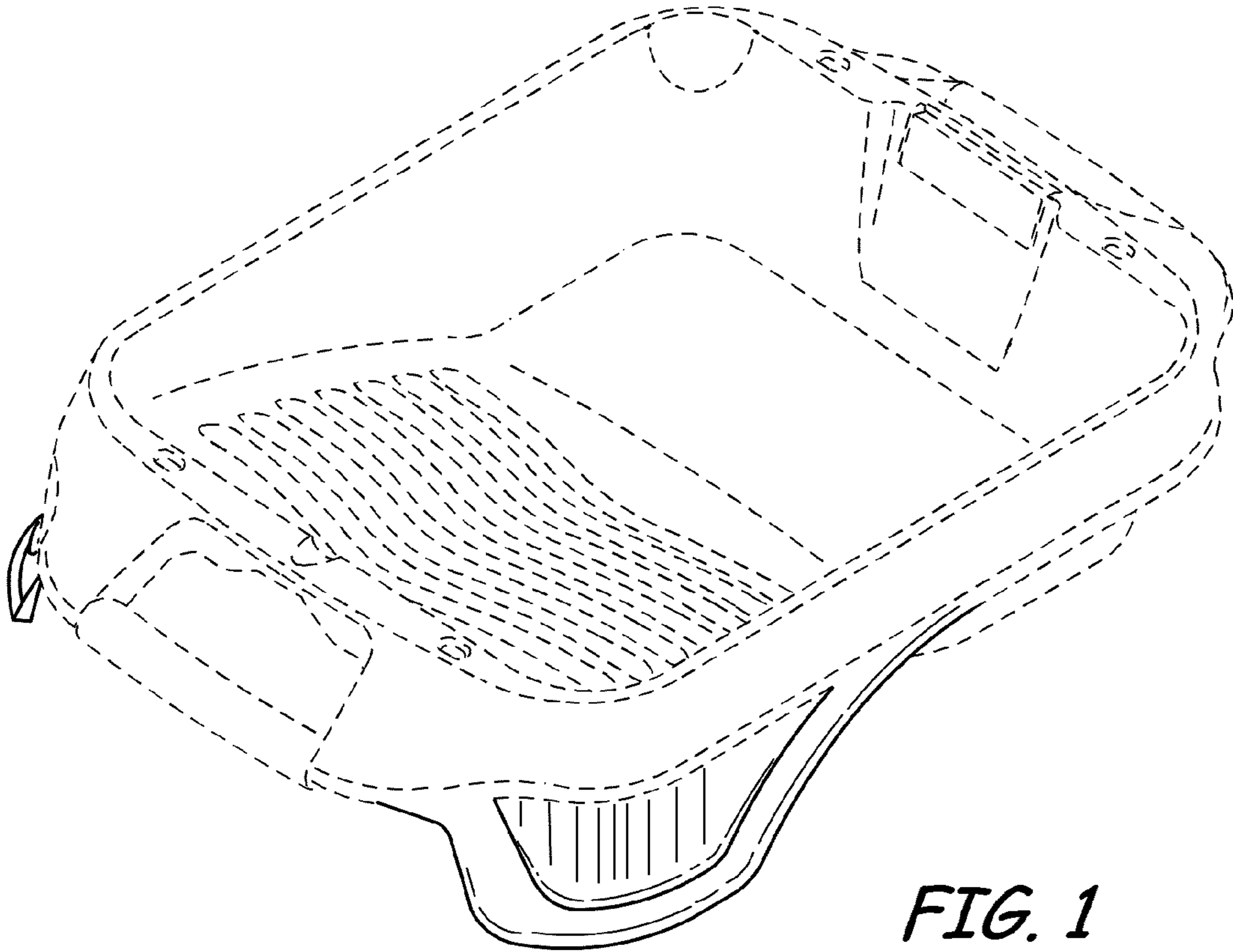
The ornamental design for a paint tray, as shown and described.

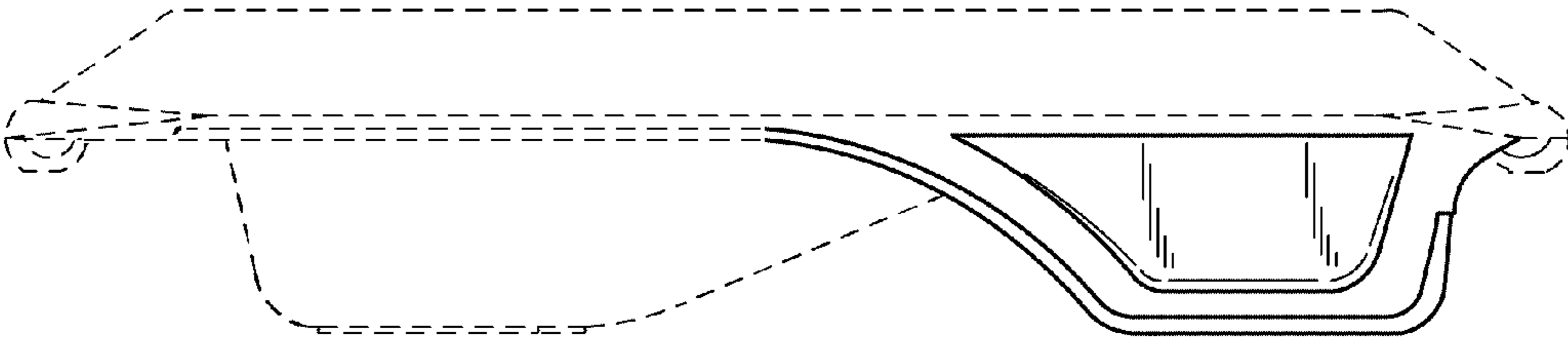
**DESCRIPTION**

FIG. 1 is an isometric view of an embodiment thereof; FIG. 2 is a side view thereof, as taken from the left (unseen) side of FIG. 1; FIG. 3 is a side view thereof, as taken from the right side of FIG. 1 (the side views are mirror images of one another); FIG. 4 is a front end view thereof; FIG. 5 is a rear end view thereof; FIG. 6 is a top view thereof; and, FIG. 7 is a bottom view thereof. The broken lines in FIGS. 1-7 are for illustrative purposes only and form no part of the claimed design.

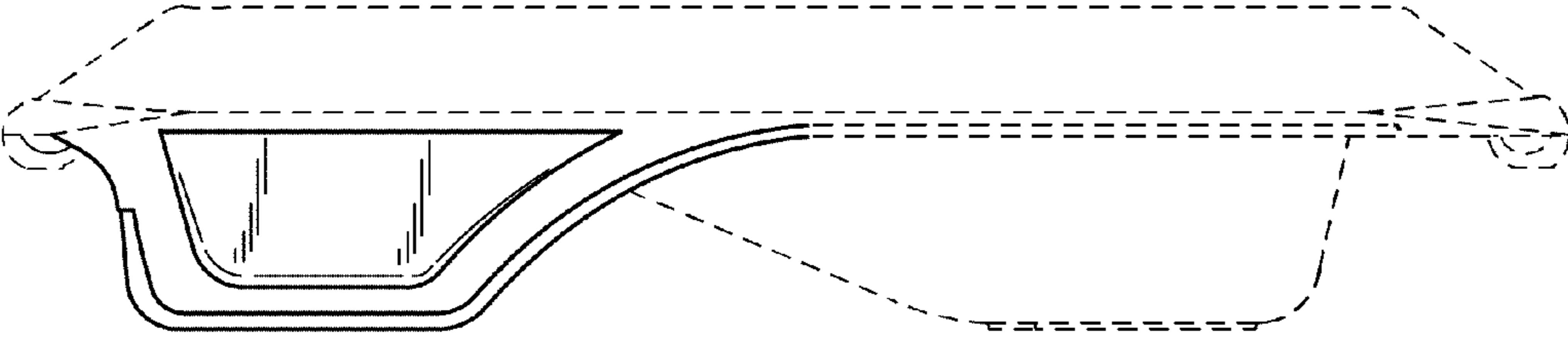
**1 Claim, 5 Drawing Sheets**



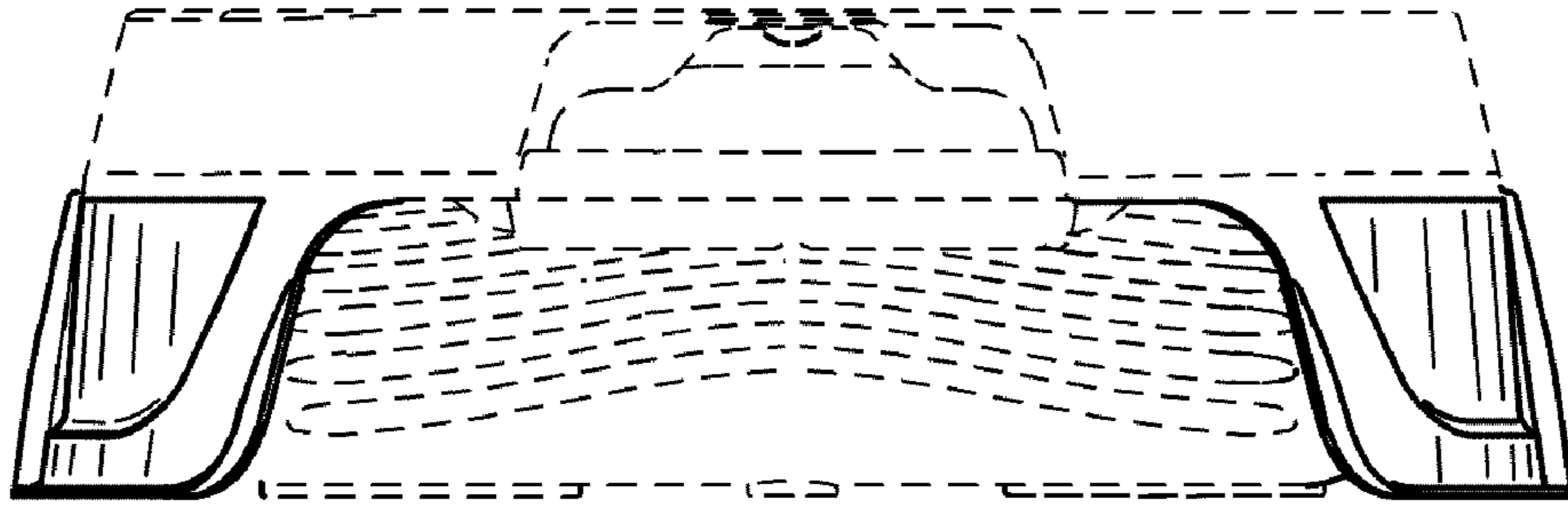




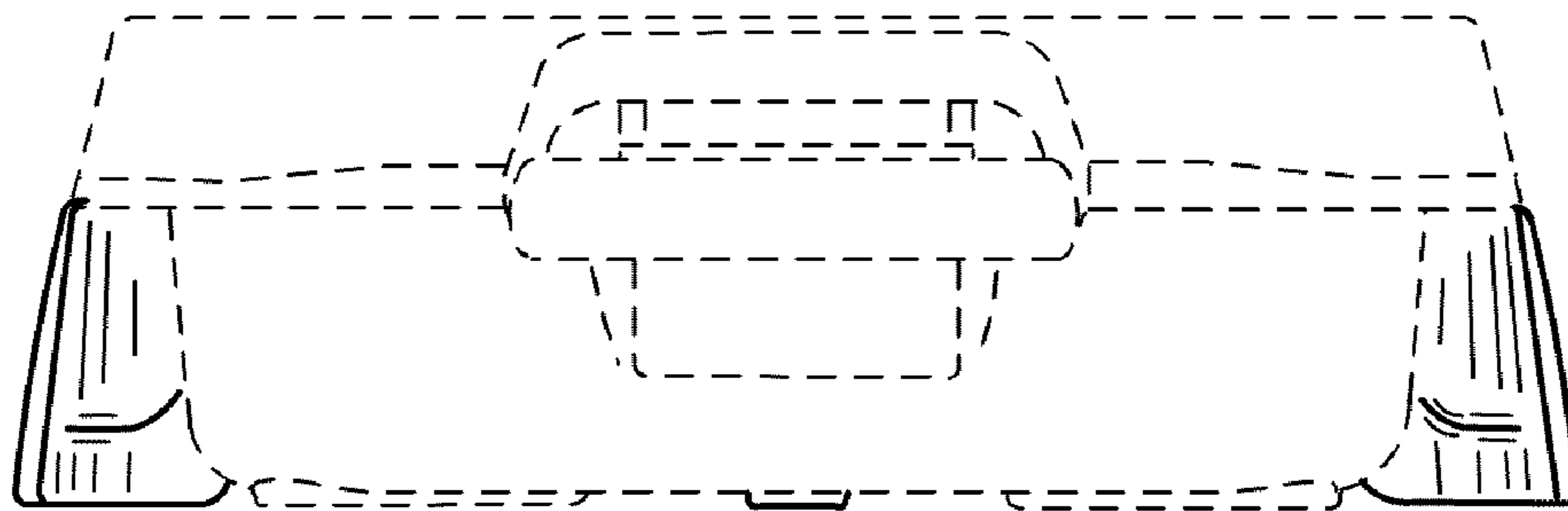
*FIG. 2*



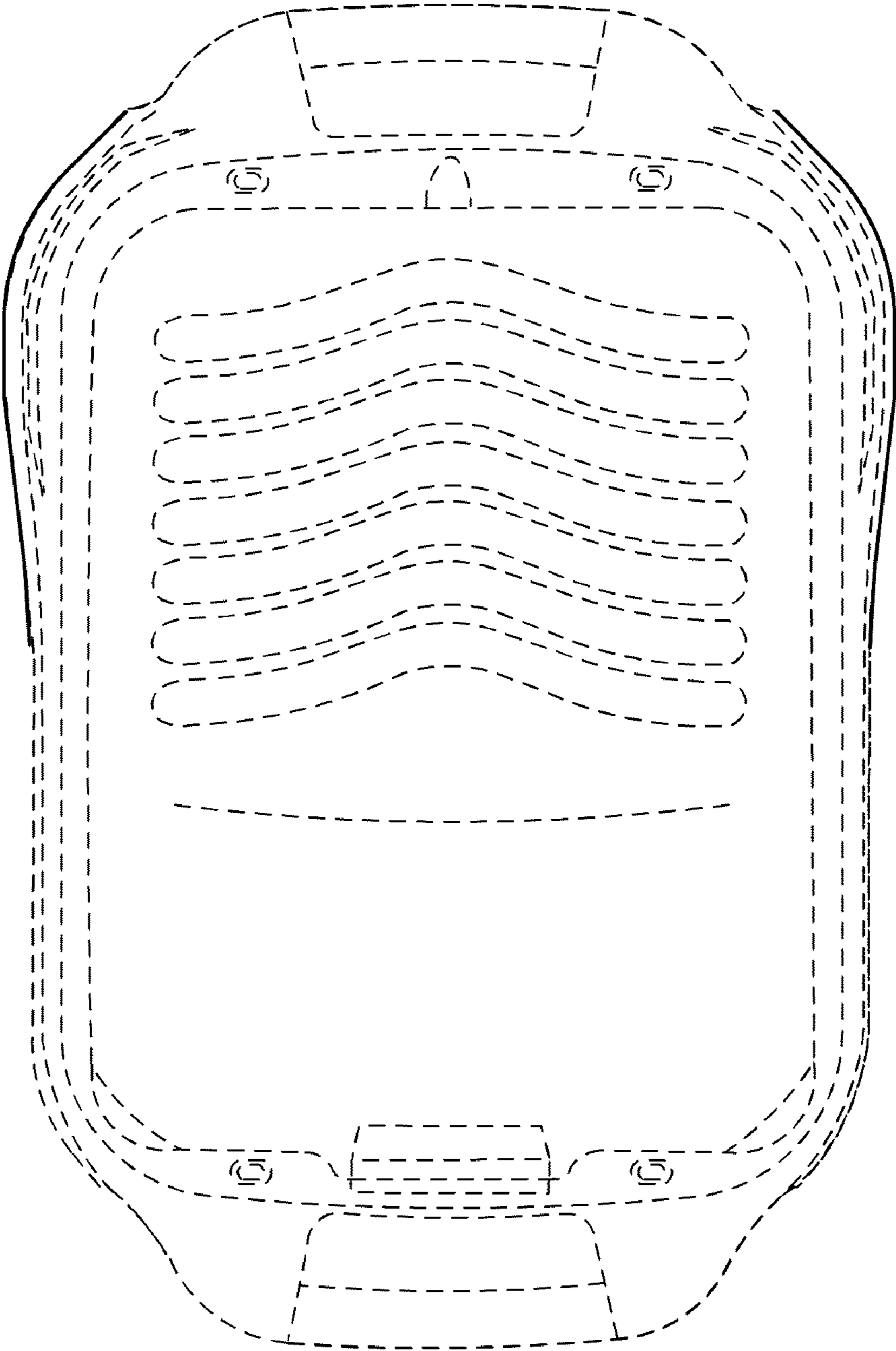
*FIG. 3*



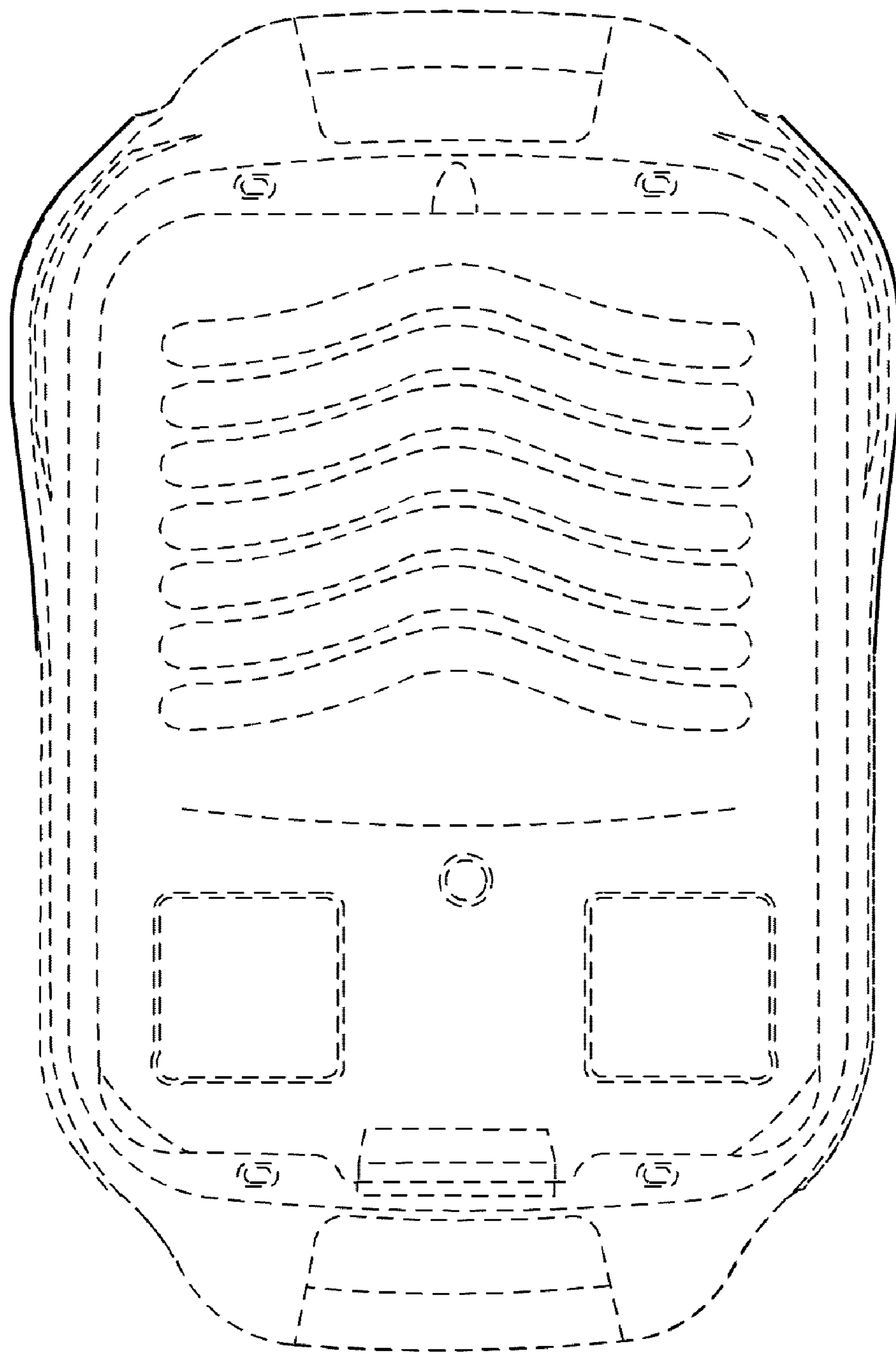
*FIG. 4*



*FIG. 5*



**FIG. 6**



**FIG. 7**