



US00D656276S

(12) **United States Design Patent**
Kurland

(10) **Patent No.:** **US D656,276 S**
(45) **Date of Patent:** **** Mar. 20, 2012**

(54) **BACK SCRATCHER**

(76) Inventor: **Arthur Henry Kurland**, Leander, TX
(US)

(**) Term: **14 Years**

(21) Appl. No.: **29/386,257**

(22) Filed: **Feb. 25, 2011**

(51) **LOC (9) Cl.** **28-99**

(52) **U.S. Cl.** **D28/91.2; D24/214**

(58) **Field of Classification Search** D28/91.2;
15/222, 160; D24/200, 211, 214; 601/143,
601/136-138

See application file for complete search history.

(56) **References Cited**

U.S. PATENT DOCUMENTS

3,124,822	A *	3/1964	Marchese	15/118
4,168,704	A *	9/1979	Wessel	601/143
4,892,091	A *	1/1990	Sullenger	601/137
5,736,213	A *	4/1998	Meier	428/76
D412,365	S *	7/1999	Szabo	D24/214

5,983,436	A *	11/1999	Mason et al.	15/222
6,026,531	A *	2/2000	Pruitt	15/160
6,849,055	B1 *	2/2005	Williams	601/137
6,969,362	B2 *	11/2005	Wang	601/137

* cited by examiner

Primary Examiner — Jennifer Rivard

(74) *Attorney, Agent, or Firm* — QuickPatents, Inc.; Kevin Prince

(57) **CLAIM**

I claim the ornamental design for a back scratcher, as shown and described.

DESCRIPTION

FIG. 1 is a perspective view of a back scratcher, showing my new design;

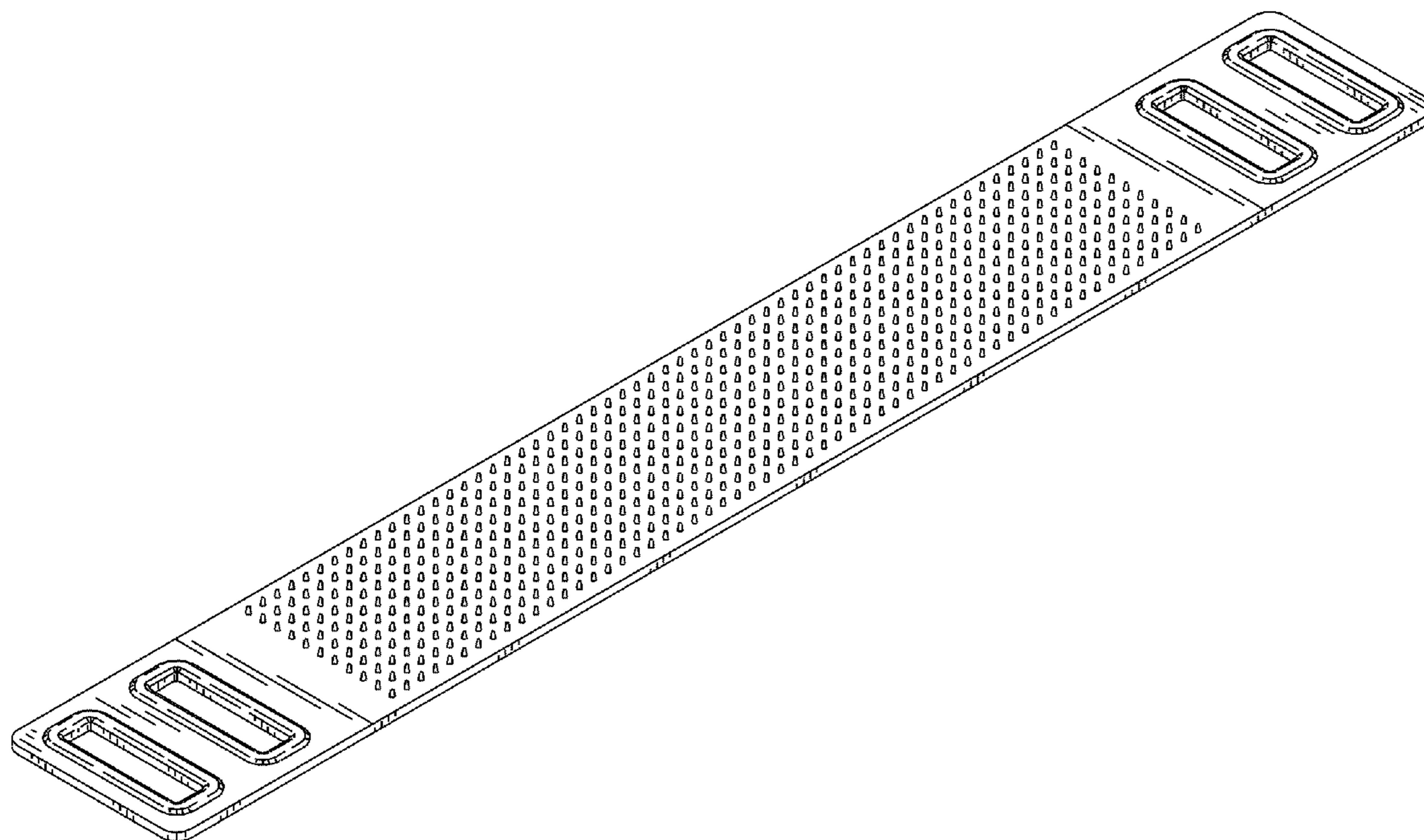
FIG. 2 is a top plan view thereof;

FIG. 3 is a front elevational view thereof, the rear elevational view being a mirror image thereof;

FIG. 4 is a left-side elevational view thereof, the right-side elevational view being a mirror image thereof; and,

FIG. 5 is a bottom plan view thereof.

1 Claim, 2 Drawing Sheets



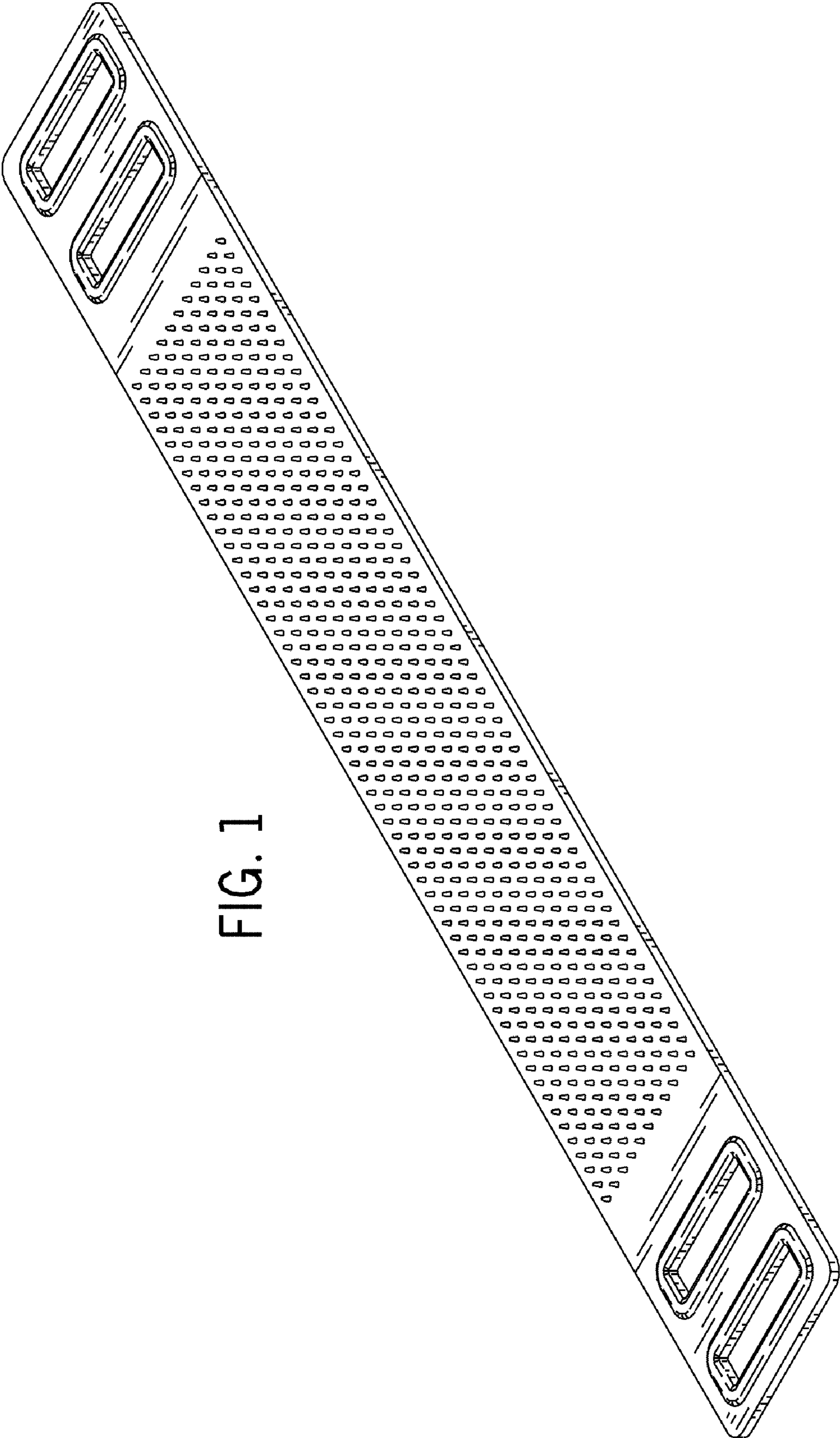


FIG. 1

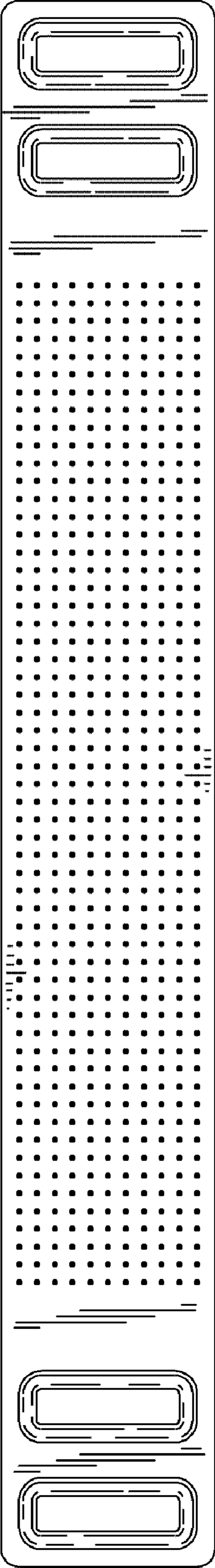


FIG. 2

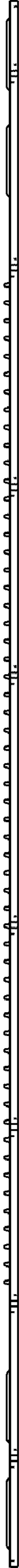


FIG. 3

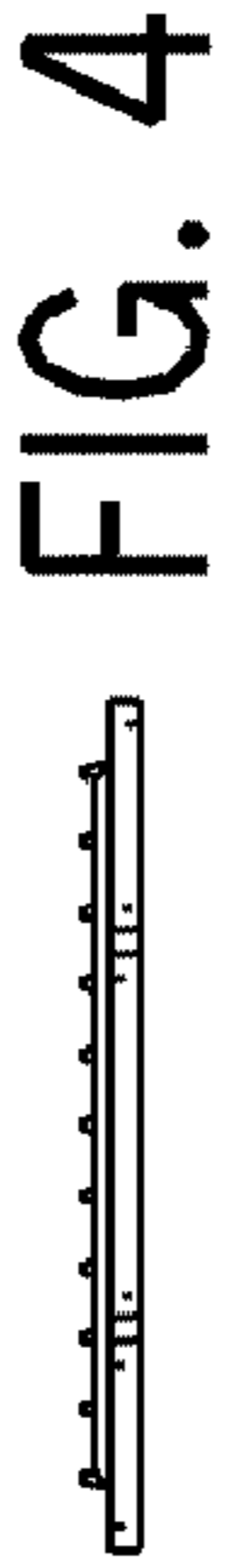


FIG. 4

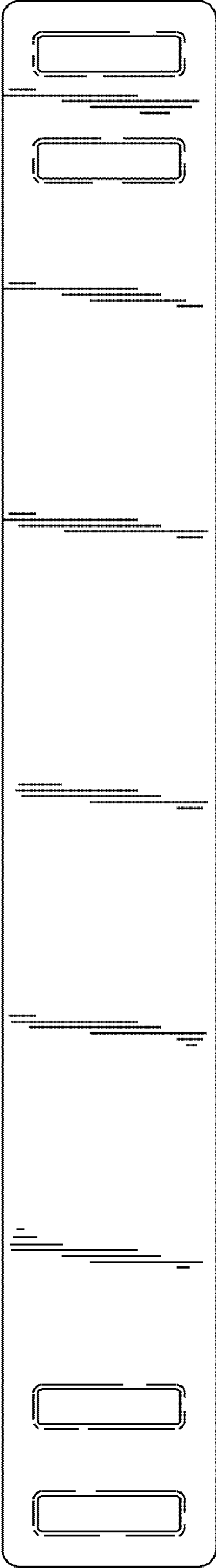


FIG. 5