



US00D656275S

(12) **United States Design Patent**
Carini

(10) **Patent No.:** **US D656,275 S**

(45) **Date of Patent:** **** Mar. 20, 2012**

(54) **MAKE-UP CASE ASSEMBLY**

(76) Inventor: **Marie F. Carini**, Matawan, NJ (US)

(**) Term: **14 Years**

(21) Appl. No.: **29/382,675**

(22) Filed: **Jan. 6, 2011**

(51) **LOC (9) Cl.** **28-03**

(52) **U.S. Cl.** **D28/64.3; D28/77**

(58) **Field of Classification Search** D28/73,
D28/76-84, 85-90, 64.3; 206/581, 823,
206/385; 132/286-318; 401/17, 18, 126-130,
401/78, 98

See application file for complete search history.

(56) **References Cited**

U.S. PATENT DOCUMENTS

2,512,476	A	6/1950	Birnkrant et al.	
2,552,714	A	5/1951	Gardiner	
D243,124	S *	1/1977	Horowitz D28/77
D276,471	S *	11/1984	Lo D28/64.3
4,562,923	A	1/1986	Katada et al.	
D311,071	S *	10/1990	Vanoncini D28/77

5,178,478	A	1/1993	Ryder	
D354,374	S *	1/1995	Battaglia D28/77
5,715,848	A	2/1998	Conley, Jr.	
6,681,780	B1 *	1/2004	Baxter 132/295
D505,519	S	5/2005	Korba	
7,228,966	B1 *	6/2007	Turner 206/385
D598,608	S *	8/2009	Baumer D28/77
D614,357	S *	4/2010	Lin D28/89

* cited by examiner

Primary Examiner — Jennifer Rivard

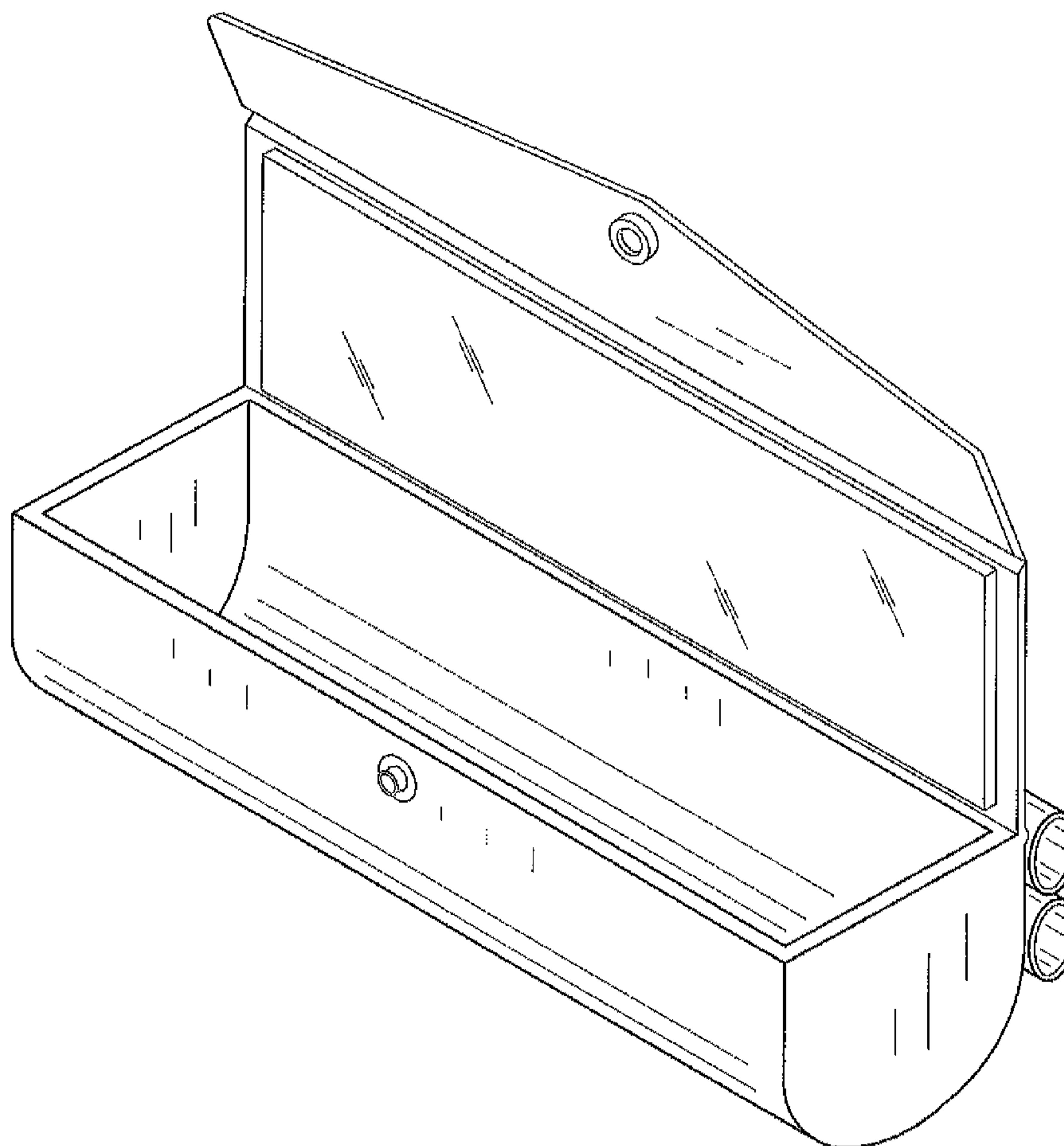
(57) **CLAIM**

The ornamental design for a make-up case assembly, as shown and described.

DESCRIPTION

FIG. 1 is a front elevation view of a make-up case assembly showing my new design;
FIG. 2 is a rear elevation view of the make-up case assembly;
FIG. 3 is a side elevation view of the make-up case assembly;
FIG. 4 is a bottom plan view of the make-up case assembly;
and,
FIG. 5 is a top perspective view of the make-up case assembly.

1 Claim, 3 Drawing Sheets



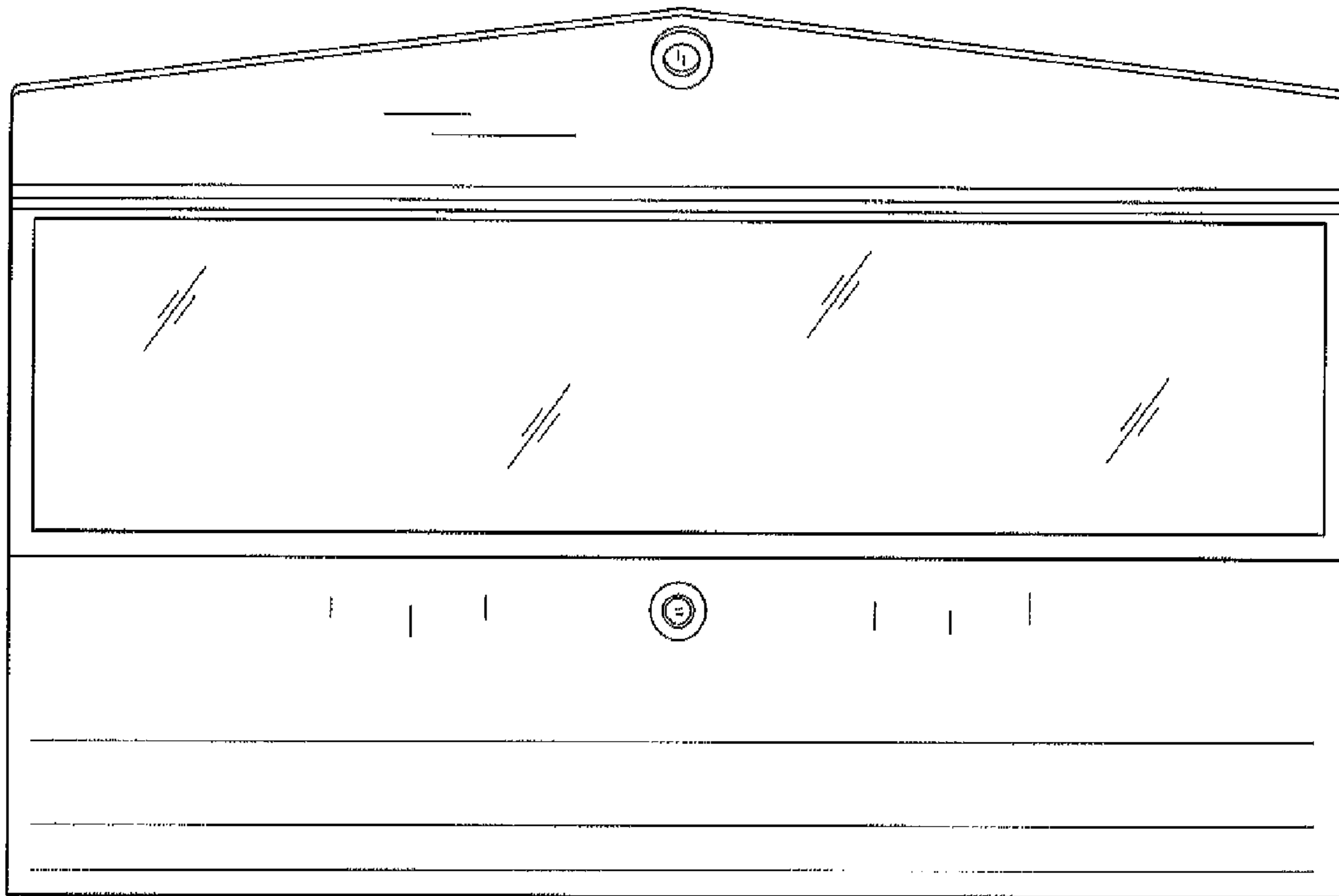


FIG. 1

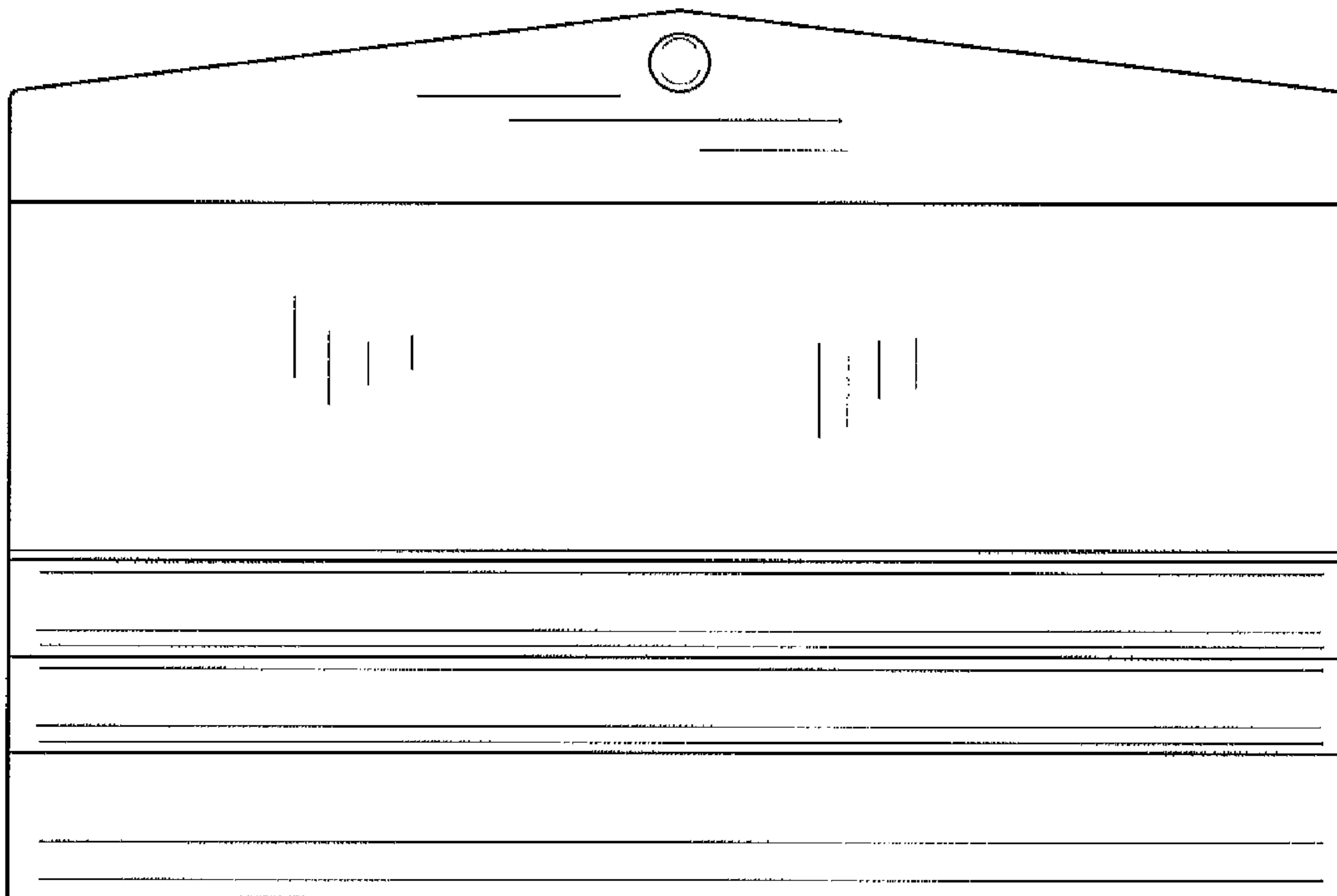


FIG. 2

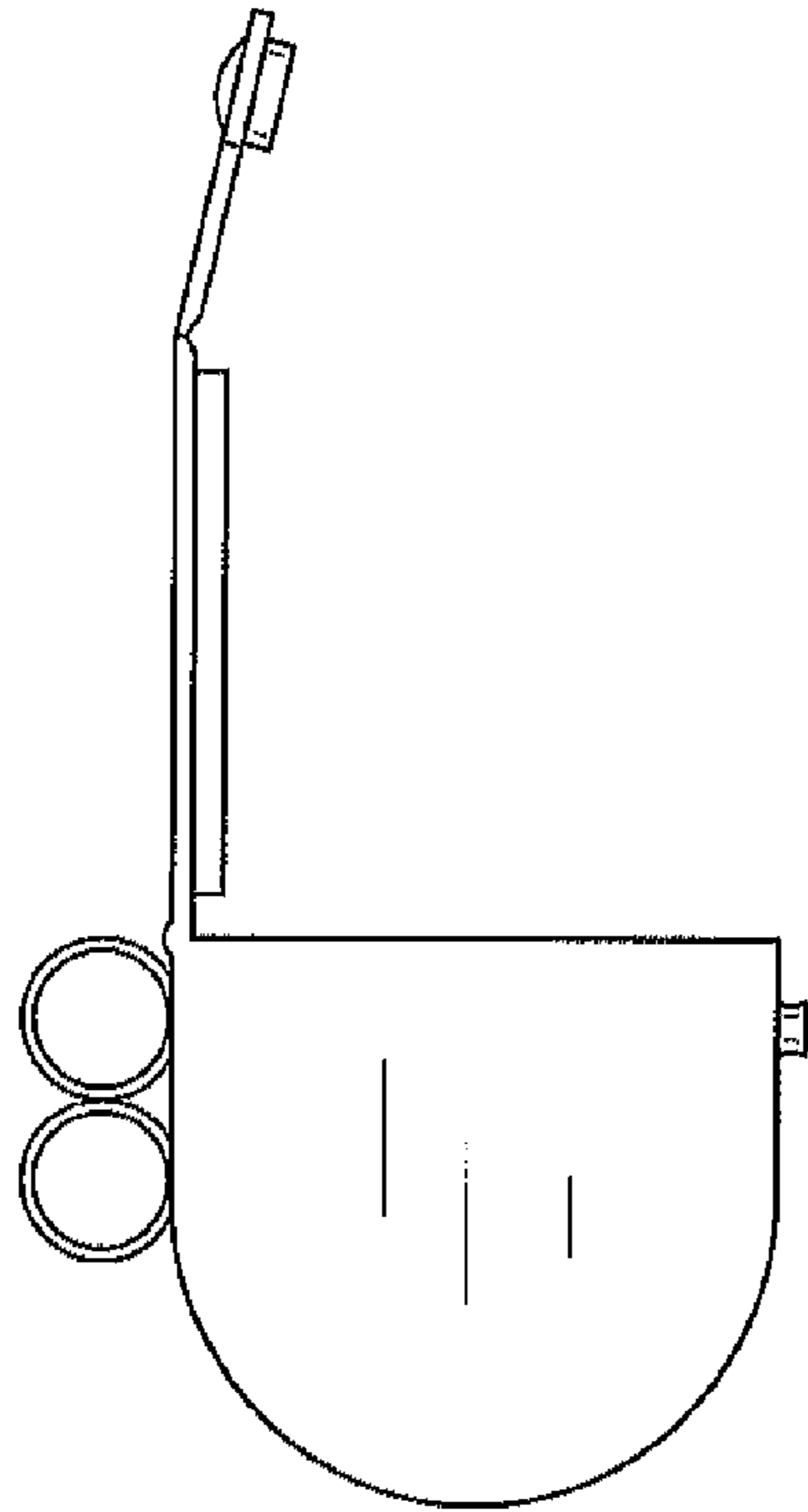


FIG. 3

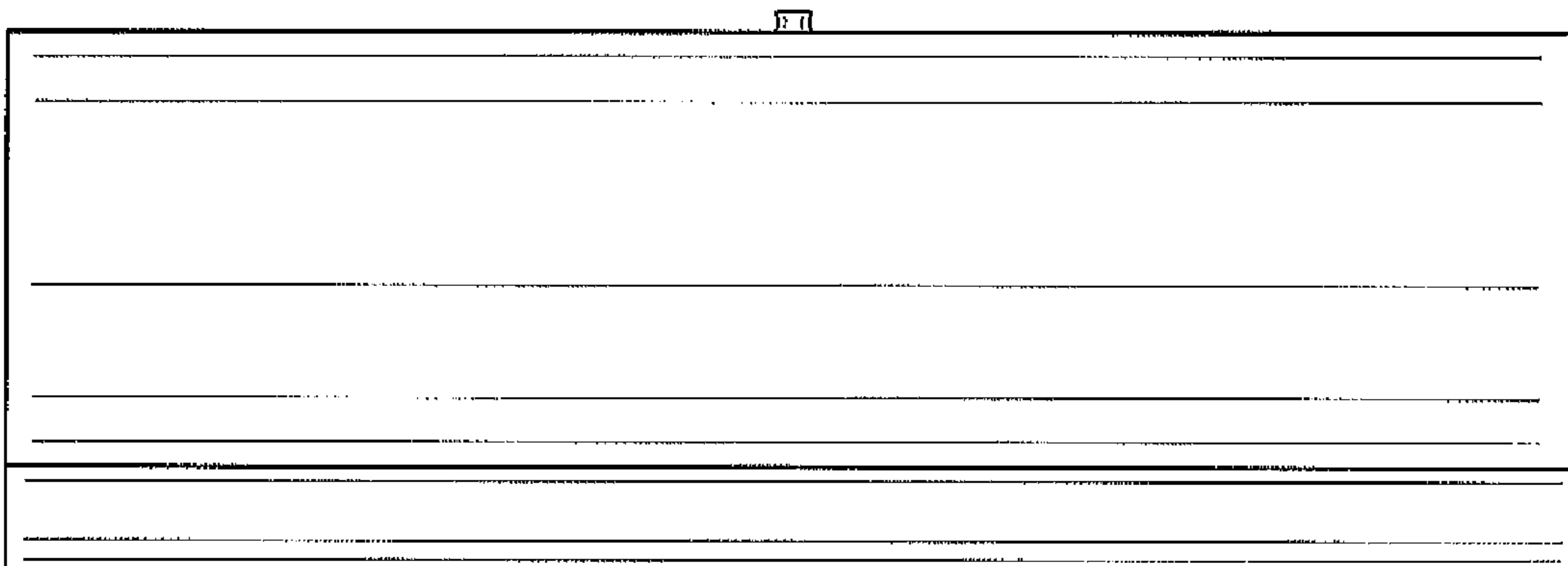


FIG. 4

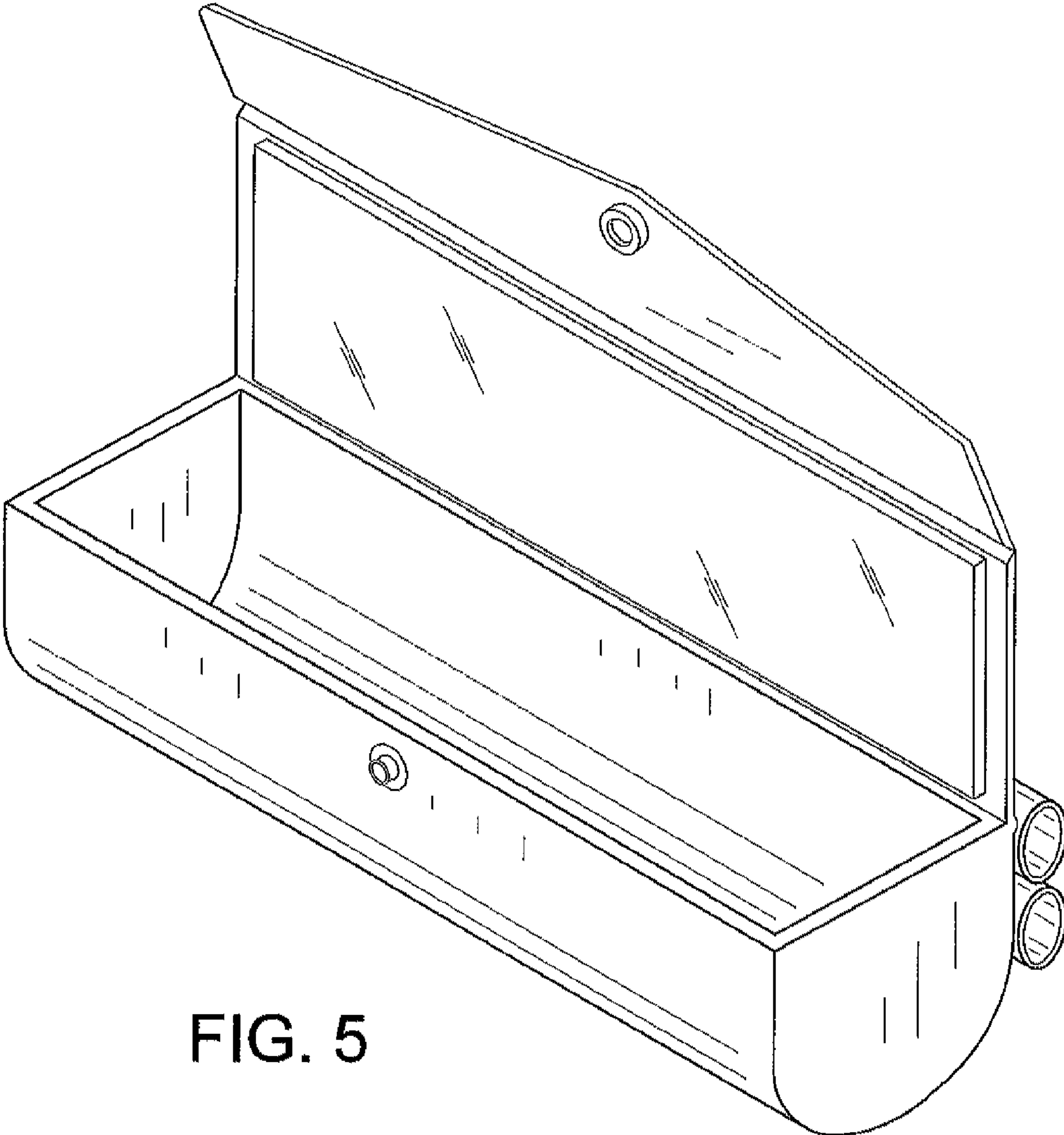


FIG. 5