

US00D656268S

(12) **United States Design Patent**
Hollett

(10) **Patent No.:** **US D656,268 S**

(45) **Date of Patent:** **** Mar. 20, 2012**

(54) **SOLAR LAMP HOLDER**

(76) Inventor: **Gordon Hollett**, Fergus (CA)

(**) Term: **14 Years**

(21) Appl. No.: **29/360,392**

(22) Filed: **Apr. 26, 2010**

(51) **LOC (9) Cl.** **26-99**

(52) **U.S. Cl.** **D26/142**

(58) **Field of Classification Search** D8/349,
D8/354, 367, 380, 396; D11/182; D12/223;
D23/322, 382, 427, 431, 432; D25/132,
D25/133; D26/67, 68, 113, 138, 142, 155;
248/519, 535, 536, 538, 539; 292/342, 343
See application file for complete search history.

(56) **References Cited**

U.S. PATENT DOCUMENTS

D95,939	S	*	6/1935	Thomas	D8/396
D133,859	S	*	9/1942	Gass	D11/182
3,315,926	A	*	4/1967	Trenda et al.	248/538
D234,072	S	*	1/1975	Shultz	D8/354
4,736,974	A	*	4/1988	Rosenthal	292/343
D308,466	S	*	6/1990	Fenton	D8/367
D350,311	S	*	9/1994	Willis et al.	D11/182
D350,473	S	*	9/1994	Simon et al.	D8/346
5,381,627	A	*	1/1995	Simon et al.	49/70
D420,277	S	*	2/2000	Burke et al.	D8/380

D468,252	S	*	1/2003	Morris	D12/223
D481,625	S	*	11/2003	Ellsworth	D8/402
7,014,229	B1	*	3/2006	Stelmach	292/342
D607,374	S	*	1/2010	Durkin	D11/182
D615,852	S	*	5/2010	Sullivan	D8/380
D639,150	S	*	6/2011	Olson et al.	D8/380

* cited by examiner

Primary Examiner — Karen E Eldridge Powers

(74) *Attorney, Agent, or Firm* — Norton Rose Canada LLP

(57) **CLAIM**

I claim the ornamental design for a solar lamp holder, as shown and described.

DESCRIPTION

FIG. 1 is a perspective view of the solar lamp holder with a lamp.

FIG. 2 is a front perspective view of the solar lamp holder.

FIG. 3 is a back perspective view of the solar lamp holder.

FIG. 4 is a right side view of the solar lamp holder.

FIG. 5 is a front plan view of the solar lamp holder.

FIG. 6 is a left side view of the solar lamp holder.

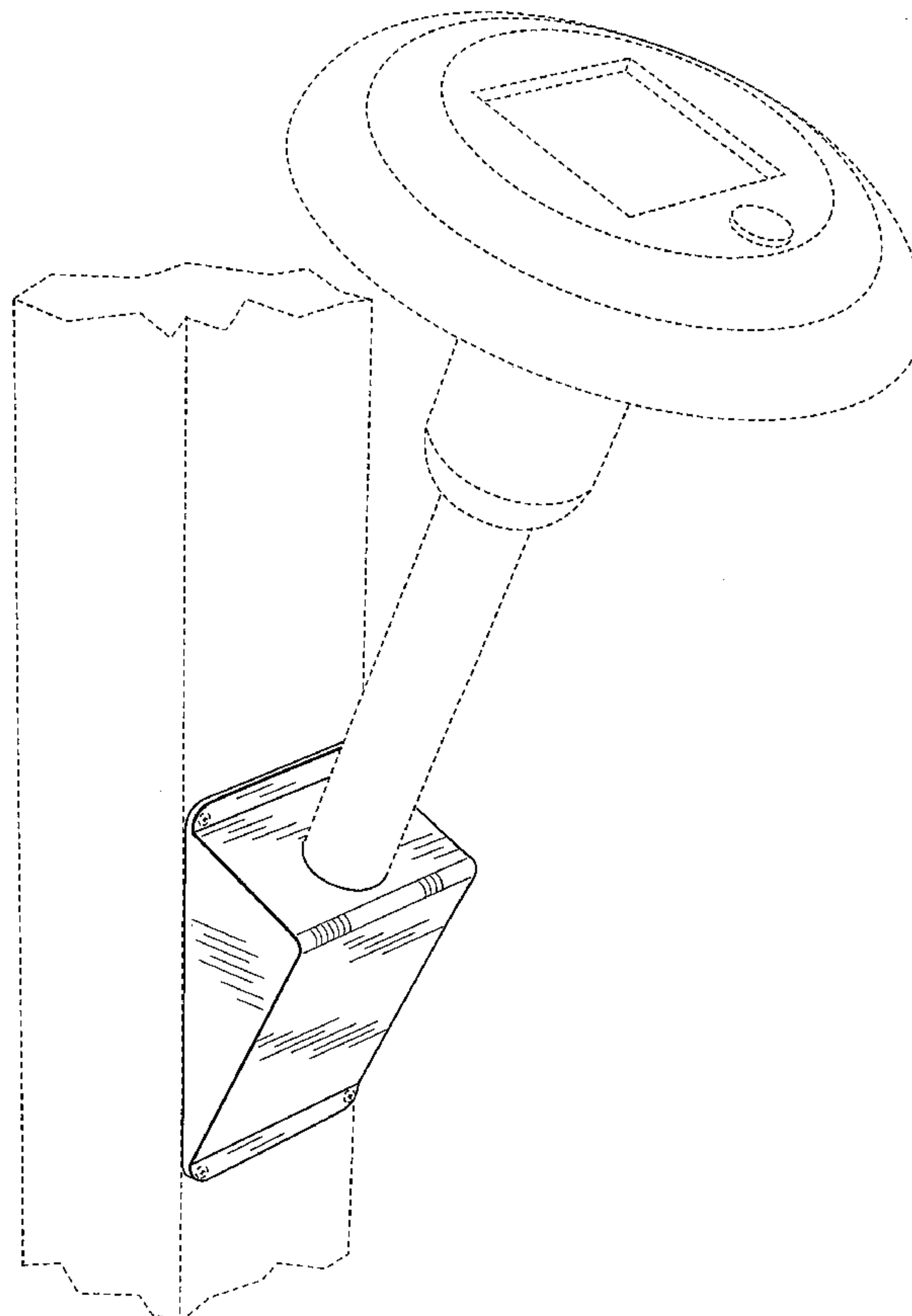
FIG. 7 is a back plan view of the solar lamp holder.

FIG. 8 is a top plan view of the solar lamp holder; and,

FIG. 9 is a bottom plan view of the solar lamp holder.

The solar lamp shown in broken lines illustrates environment that forms no part of the claimed design.

1 Claim, 5 Drawing Sheets



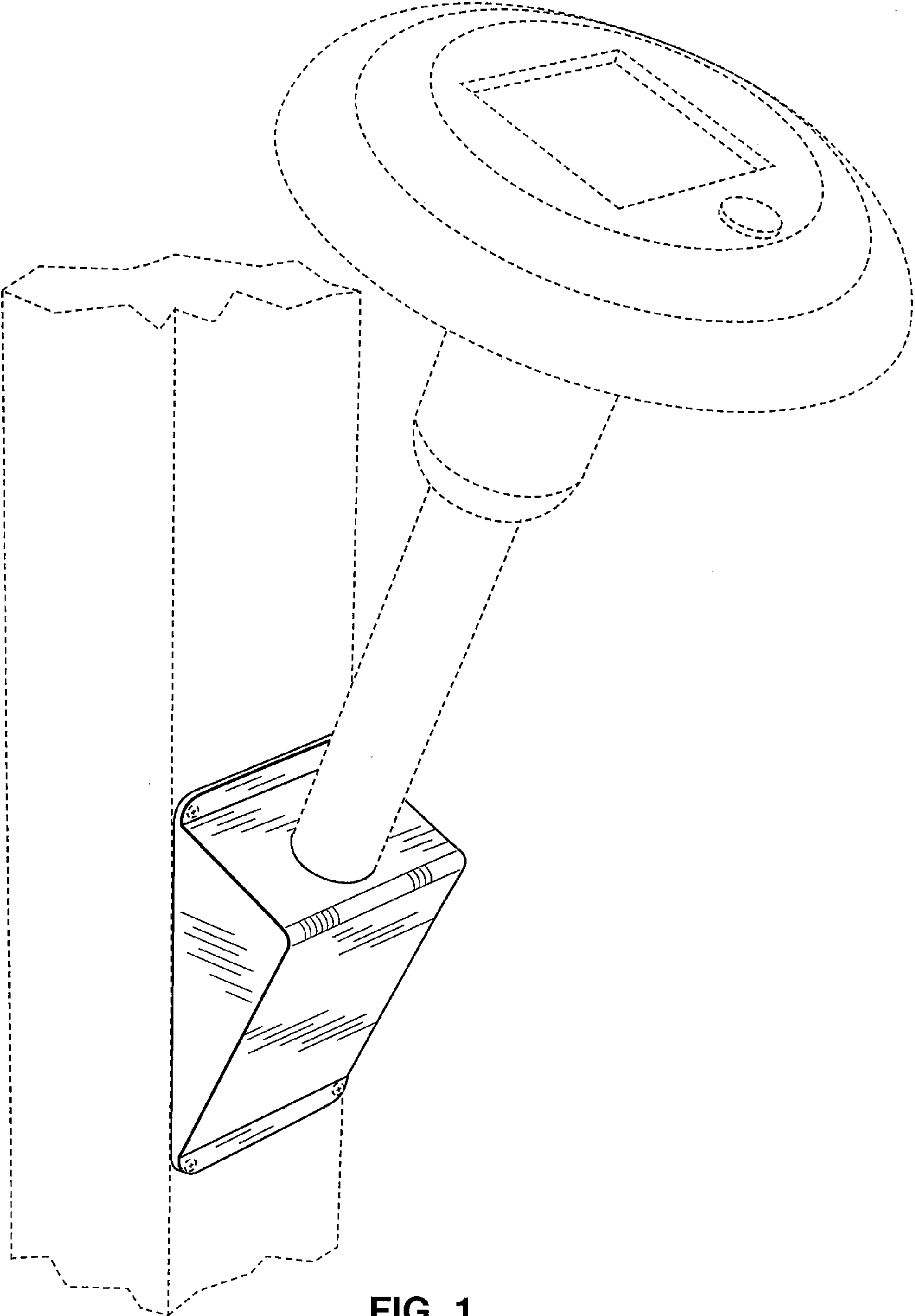


FIG. 1

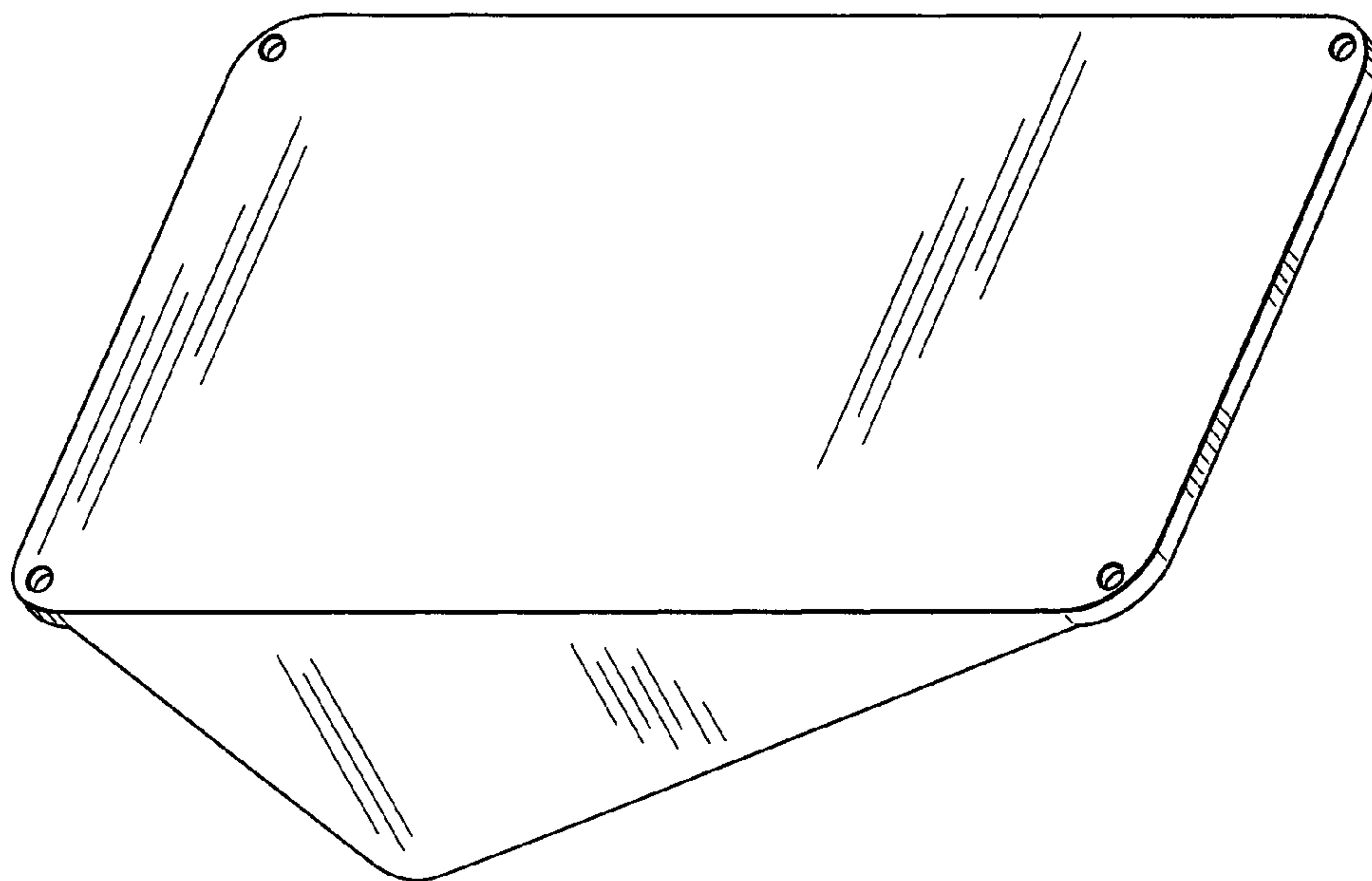


FIG. 3

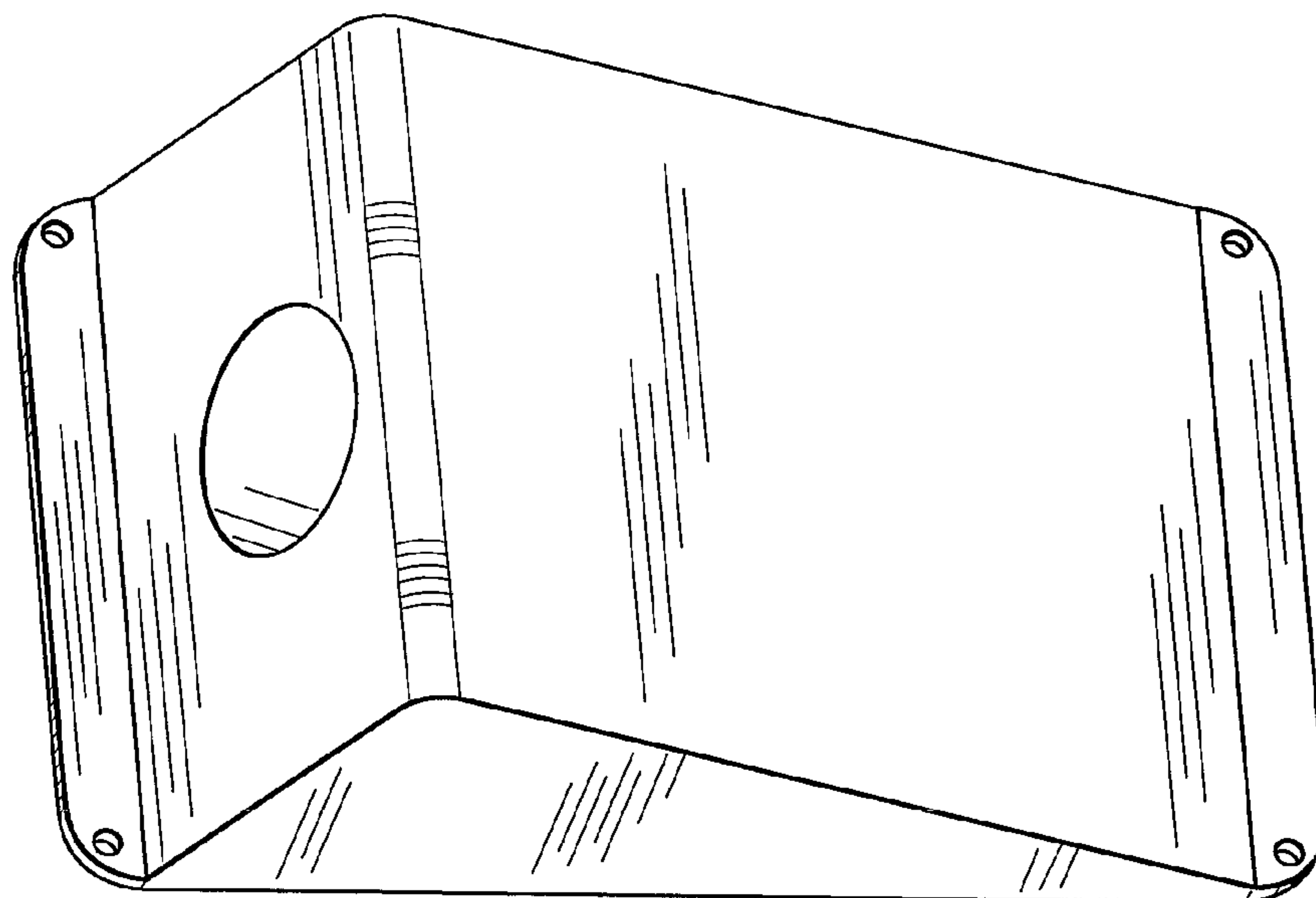


FIG. 2

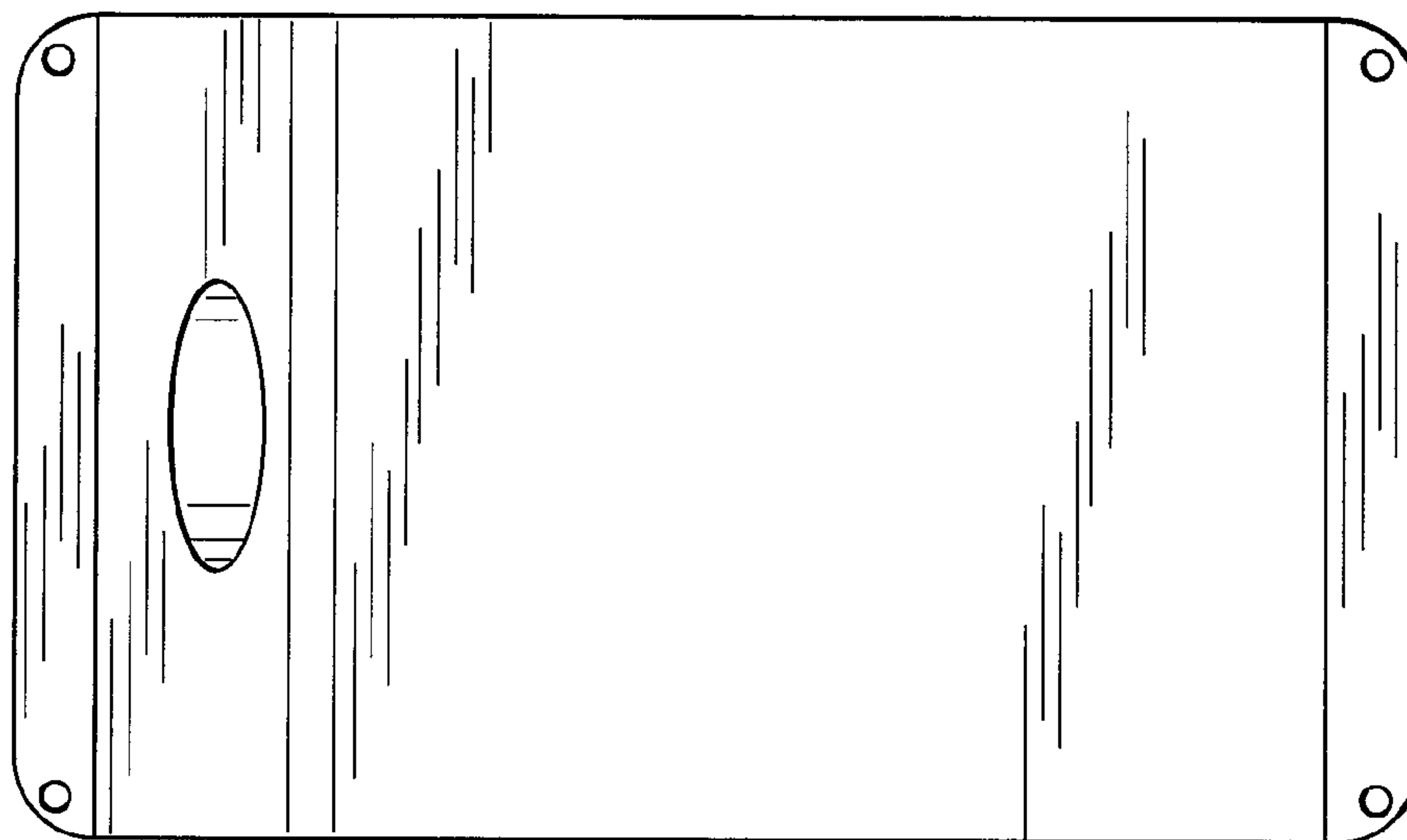


FIG. 5

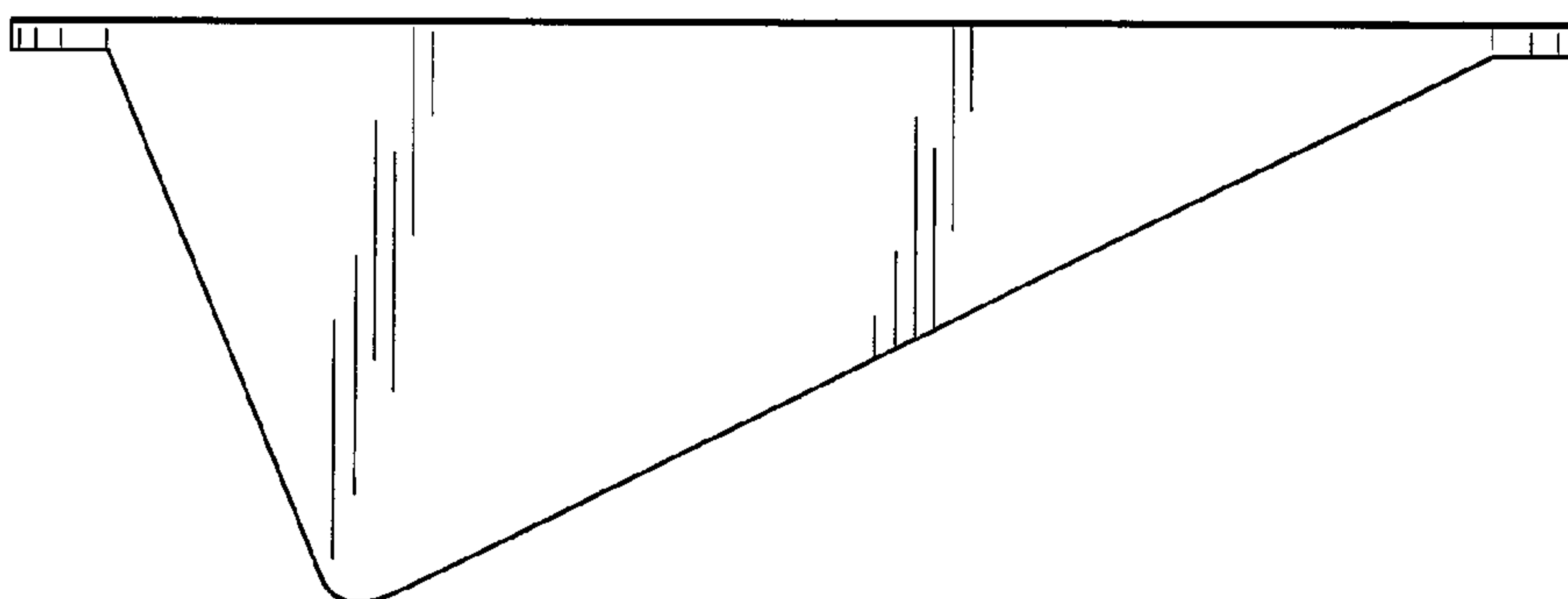


FIG. 4

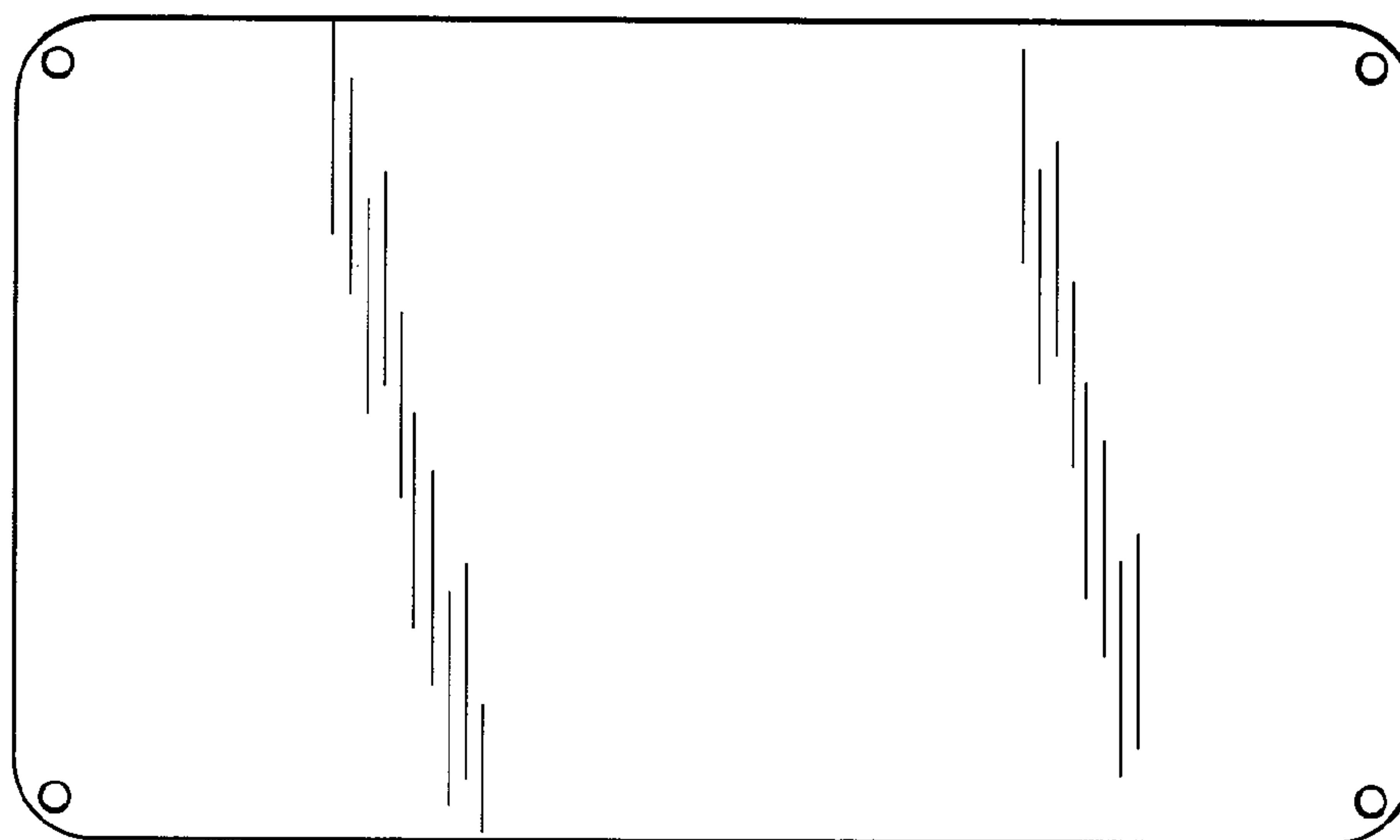


FIG. 7

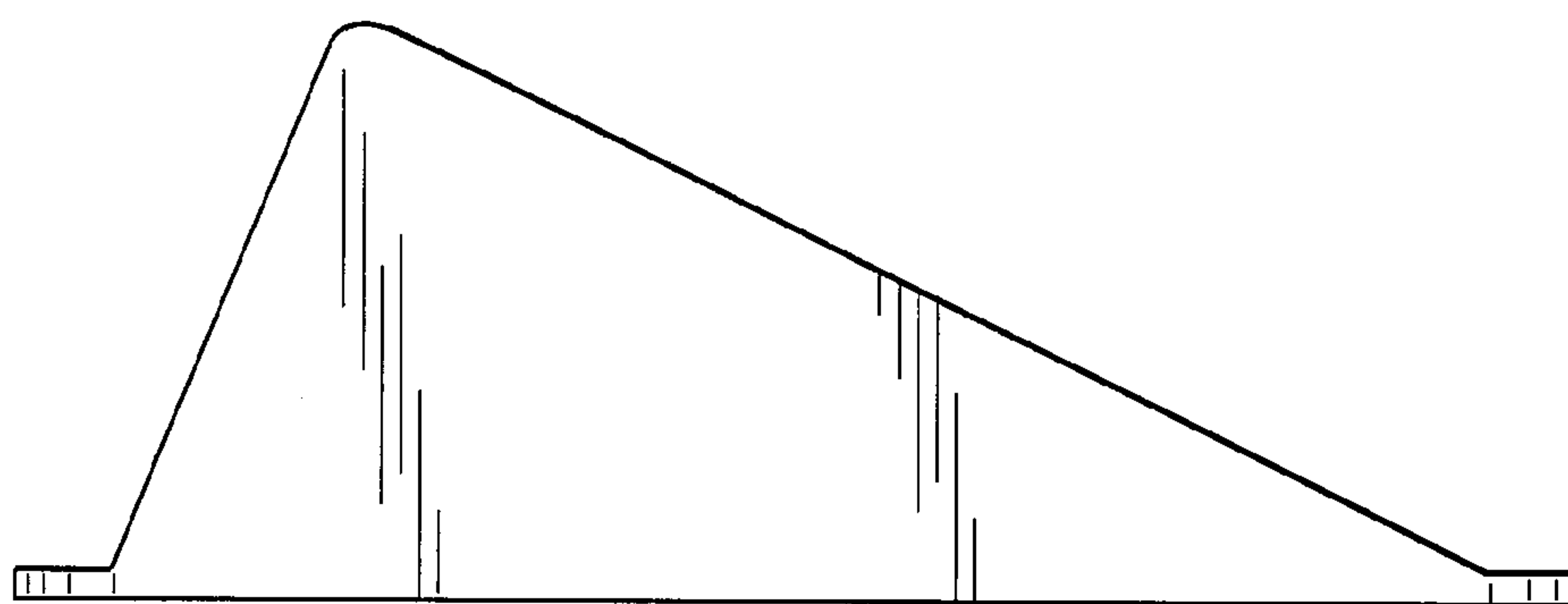


FIG. 6

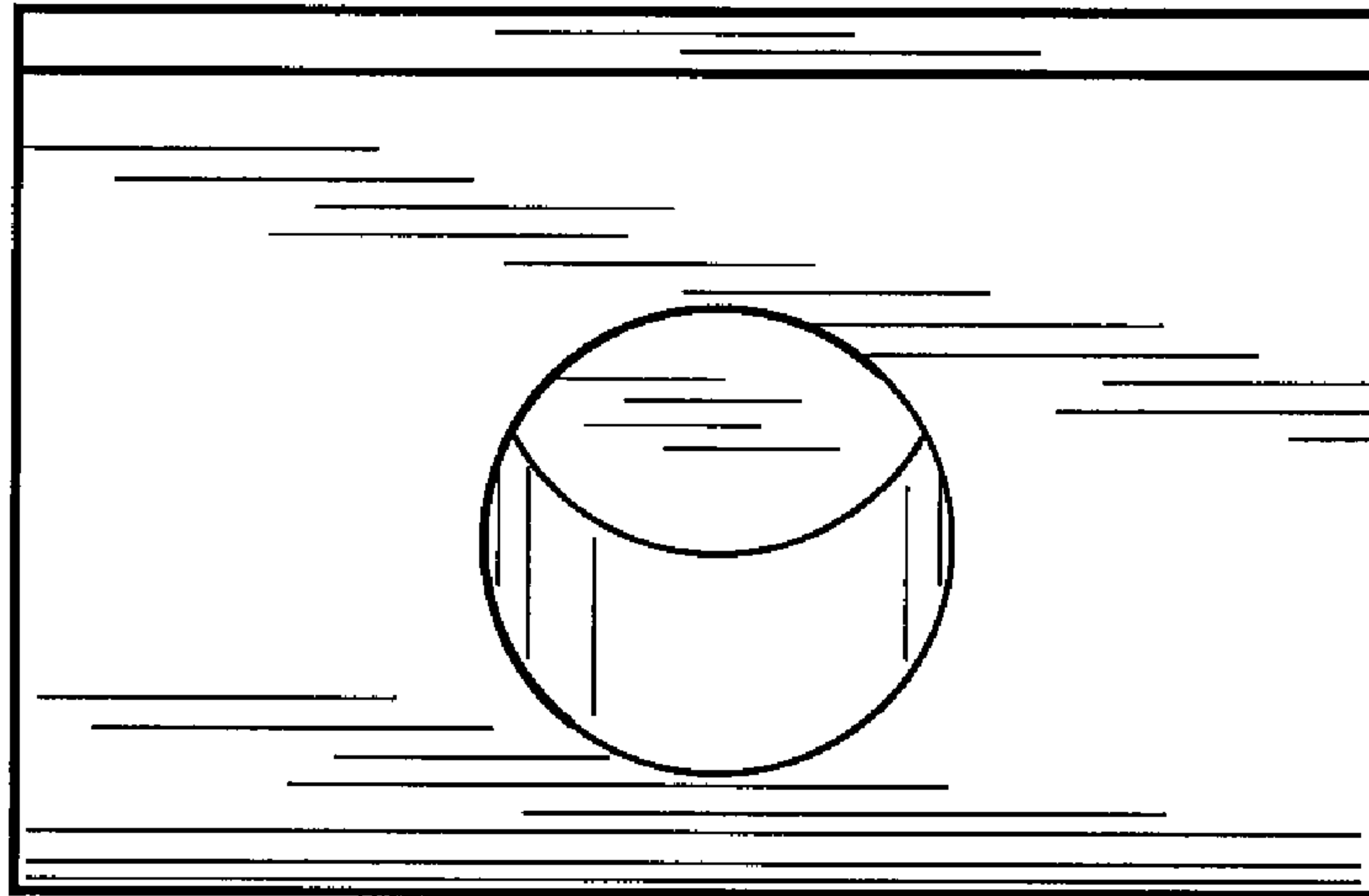


FIG. 8

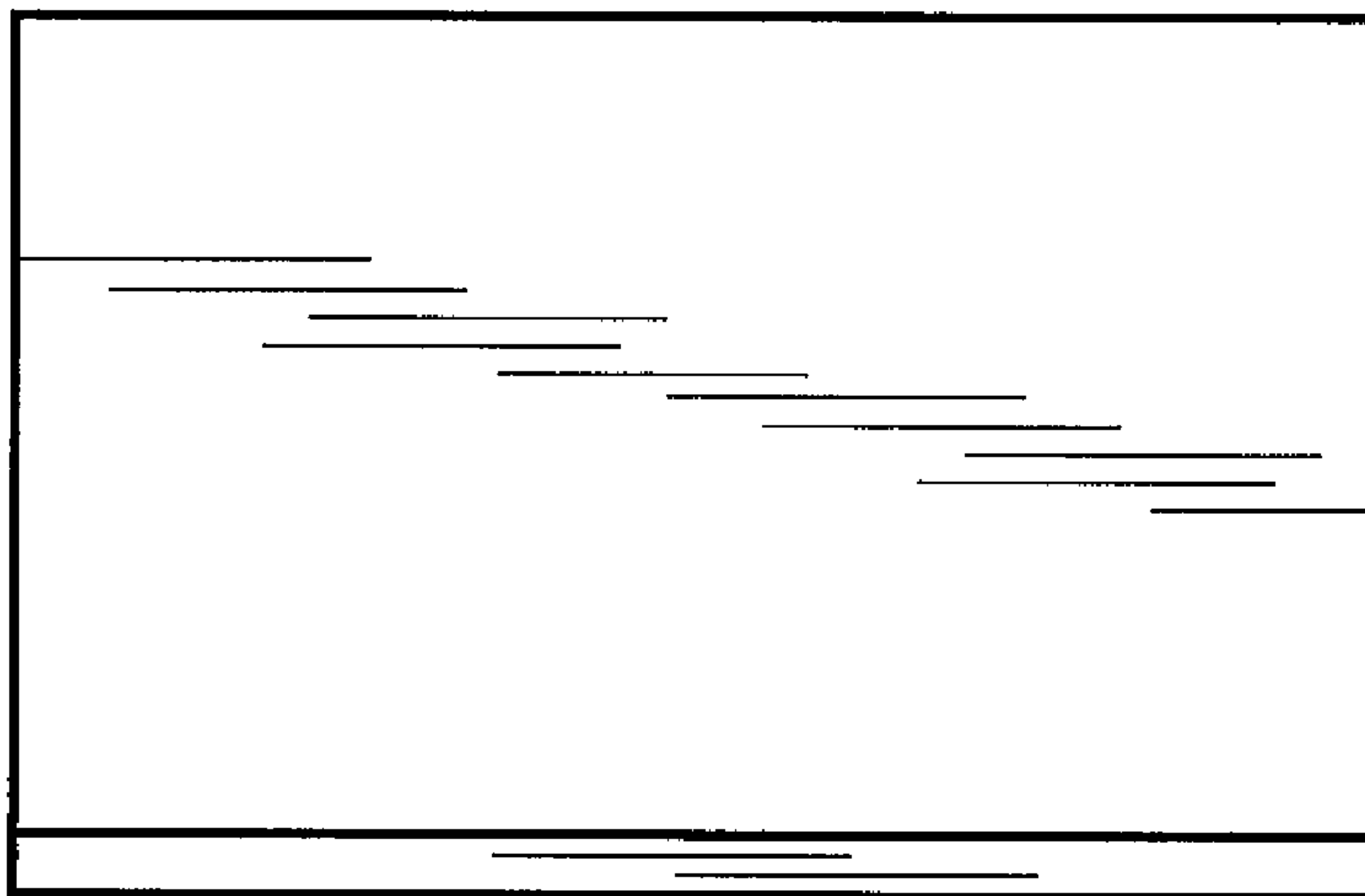


FIG. 9