

US00D656266S

(12) **United States Design Patent**
Gordin et al.

(10) **Patent No.:** **US D656,266 S**
(45) **Date of Patent:** **** Mar. 20, 2012**

- (54) **LIGHTING FIXTURE HOUSING**
- (75) Inventors: **Myron Gordin**, Oskaloosa, IA (US);
Timothy J. Boyle, Oskaloosa, IA (US);
Steven T. Heaton, Oskaloosa, IA (US);
Chris P. Lickiss, Newton, IA (US)
- (73) Assignee: **Musco Corporation**, Oskaloosa, IA
(US)
- (**) Term: **14 Years**
- (21) Appl. No.: **29/398,291**

1,997,026	A *	4/1935	Weddel	362/516
2,175,918	A *	10/1939	Sauer	248/289.11
D199,631	S *	11/1964	Petersen	D26/63
3,780,285	A *	12/1973	Appeldorn et al.	362/311.05
D295,326	S *	4/1988	Dahlgren	D26/63
5,012,398	A *	4/1991	Jones et al.	362/249.07
5,211,473	A *	5/1993	Gordin et al.	362/297
5,651,606	A *	7/1997	Krogman	362/96
D389,268	S *	1/1998	Kay	D26/118
5,707,142	A *	1/1998	Gordin	362/346
5,730,521	A *	3/1998	Spink et al.	362/223
5,860,733	A *	1/1999	Stone et al.	362/294
D432,693	S *	10/2000	Wachter et al.	D26/63
D432,708	S *	10/2000	Wachter et al.	D26/118

(Continued)

- (22) Filed: **Jul. 28, 2011**
- (51) **LOC (9) Cl.** **26-99**
- (52) **U.S. Cl.** **D26/118**
- (58) **Field of Classification Search** 248/343;
D13/179, 180, 134, 146; 361/697; 362/218,
362/223, 260, 346, 364, 362, 382, 147, 547,
362/150, 219, 220, 224, 247, 354, 555, 343,
362/511; D24/210; D23/328; D26/118,
D26/120, 113, 119, 121, 122, 123, 124, 125,
D26/126, 128, 129, 130, 131, 132, 135, 138,
D26/140, 141, 142, 152, 24, 25, 59, 60, 61,
D26/72, 74, 75, 76, 77, 78, 88, 85, 87, 89,
D26/90, 91, 153, 154, 155, 143, 144, 145,
D26/71, 67, 65, 64, 1, 2, 3
See application file for complete search history.

Primary Examiner — Kevin Rudzinski
(74) *Attorney, Agent, or Firm* — McKee, Voorhees & Sease,
P.L.C.

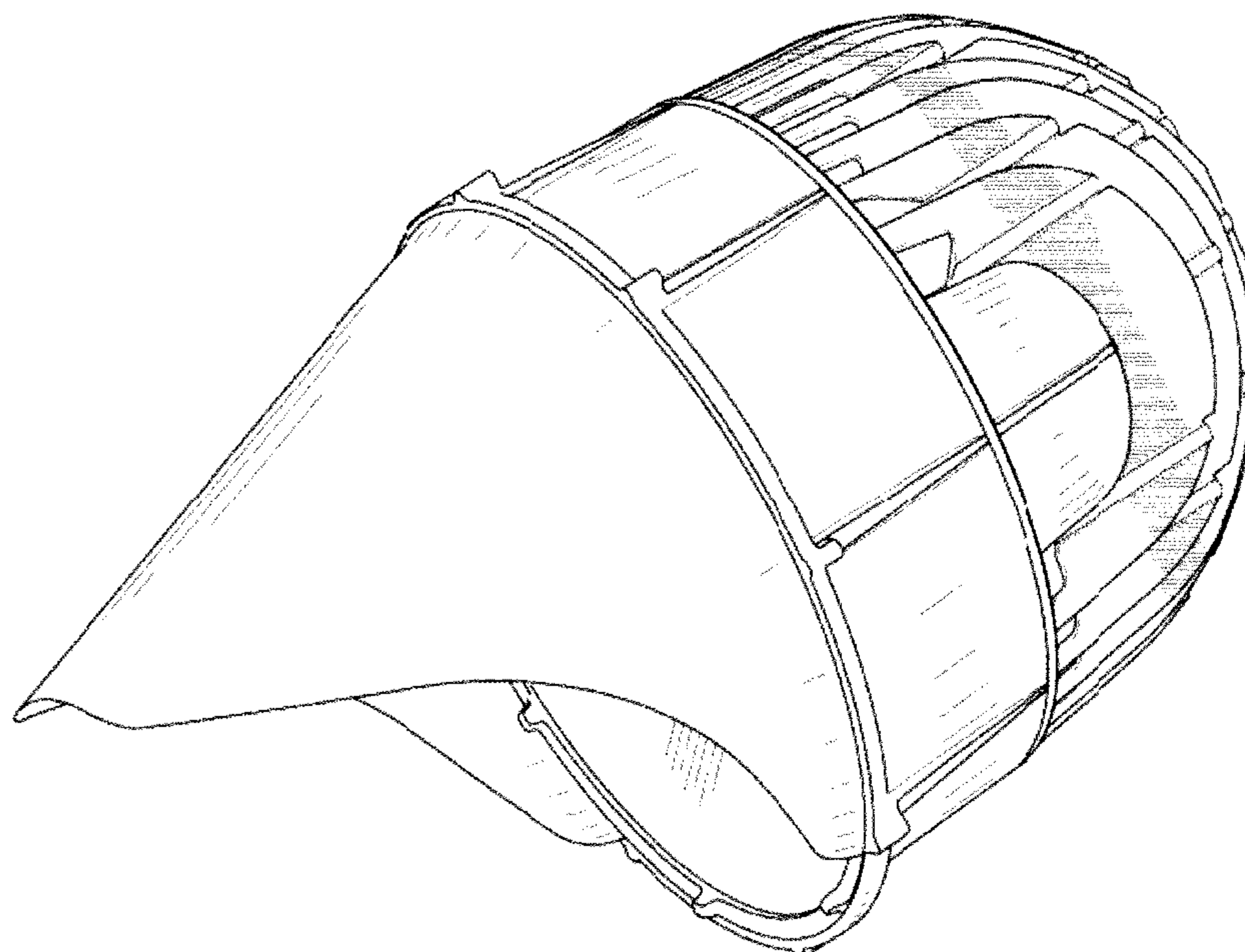
(57) **CLAIM**
The ornamental design for a lighting fixture housing, as shown and described. Broken lines do not form a part of the claimed design.

DESCRIPTION

FIG. 1 is a perspective view of the claimed design in a typical operational orientation;
FIG. 2 is a top plan view of FIG. 1;
FIG. 3 is a bottom plan view of FIG. 1;
FIG. 4 is a front elevation view of FIG. 1;
FIG. 5 is a back elevation view of FIG. 1;
FIG. 6 is a right side elevation view of FIG. 1; and,
FIG. 7 is a left side elevation view of FIG. 1.
The broken lines shown in the drawings illustrating unclaimed portions of the lighting fixture housing form no part of the claimed design.

- (56) **References Cited**
- U.S. PATENT DOCUMENTS
- 1,508,791 A * 9/1924 Hoffman et al. 362/322
- 1,560,408 A * 11/1925 Charlebois 362/343
- 1,560,948 A * 11/1925 Smothers 362/283
- 1,600,682 A * 9/1926 McCarley 362/348
- 1,711,479 A * 4/1929 Halvorson, Jr. 362/282
- D84,982 S * 9/1931 Frame D26/139

1 Claim, 7 Drawing Sheets



US D656,266 S

Page 2

U.S. PATENT DOCUMENTS

D452,027 S *	12/2001	Mashevsky	D26/63	D583,499 S *	12/2008	Gordin et al.	D26/118
6,502,965 B1 *	1/2003	Bradford	362/346	D583,500 S *	12/2008	Gordin	D26/118
D488,878 S *	4/2004	Ward	D26/63	7,458,700 B2 *	12/2008	Gordin	362/235
D544,137 S *	6/2007	Montefusco	D26/118	7,467,880 B2 *	12/2008	Gordin et al.	362/359
D567,422 S *	4/2008	Gordin et al.	D26/63	D629,930 S *	12/2010	Cotter et al.	D26/2
D567,432 S *	4/2008	Gordin et al.	D26/118	7,918,588 B2 *	4/2011	Gordin et al.	362/296.01
D567,995 S *	4/2008	Gordin et al.	D26/118	D646,428 S *	10/2011	Gordin et al.	D26/118
D571,033 S *	6/2008	Gordin et al.	D26/72	2006/0176704 A1 *	8/2006	Gordin et al.	362/351
D573,752 S *	7/2008	Gordin et al.	D26/118	2008/0273335 A1 *	11/2008	Gordin et al.	362/296

* cited by examiner

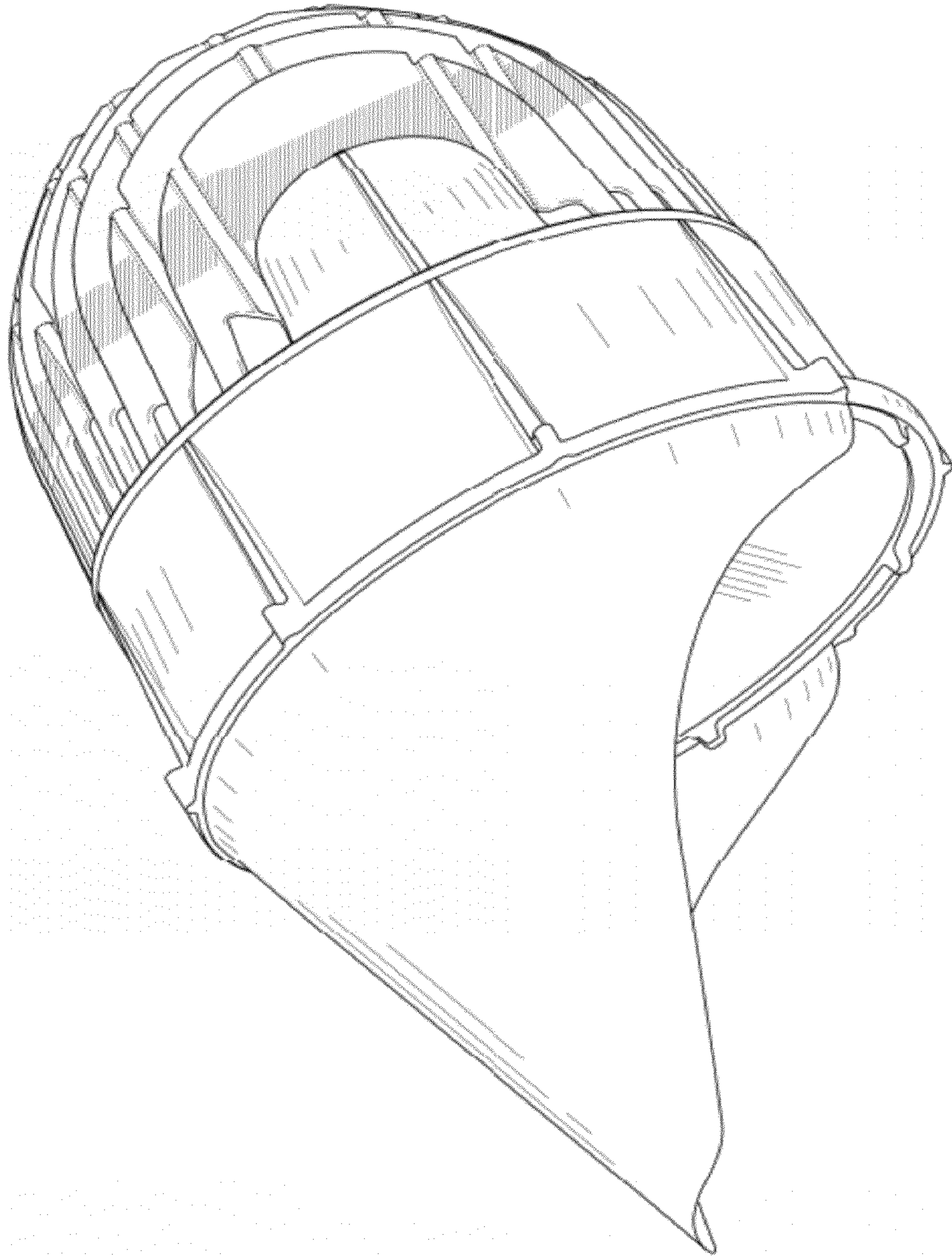


Fig. 1

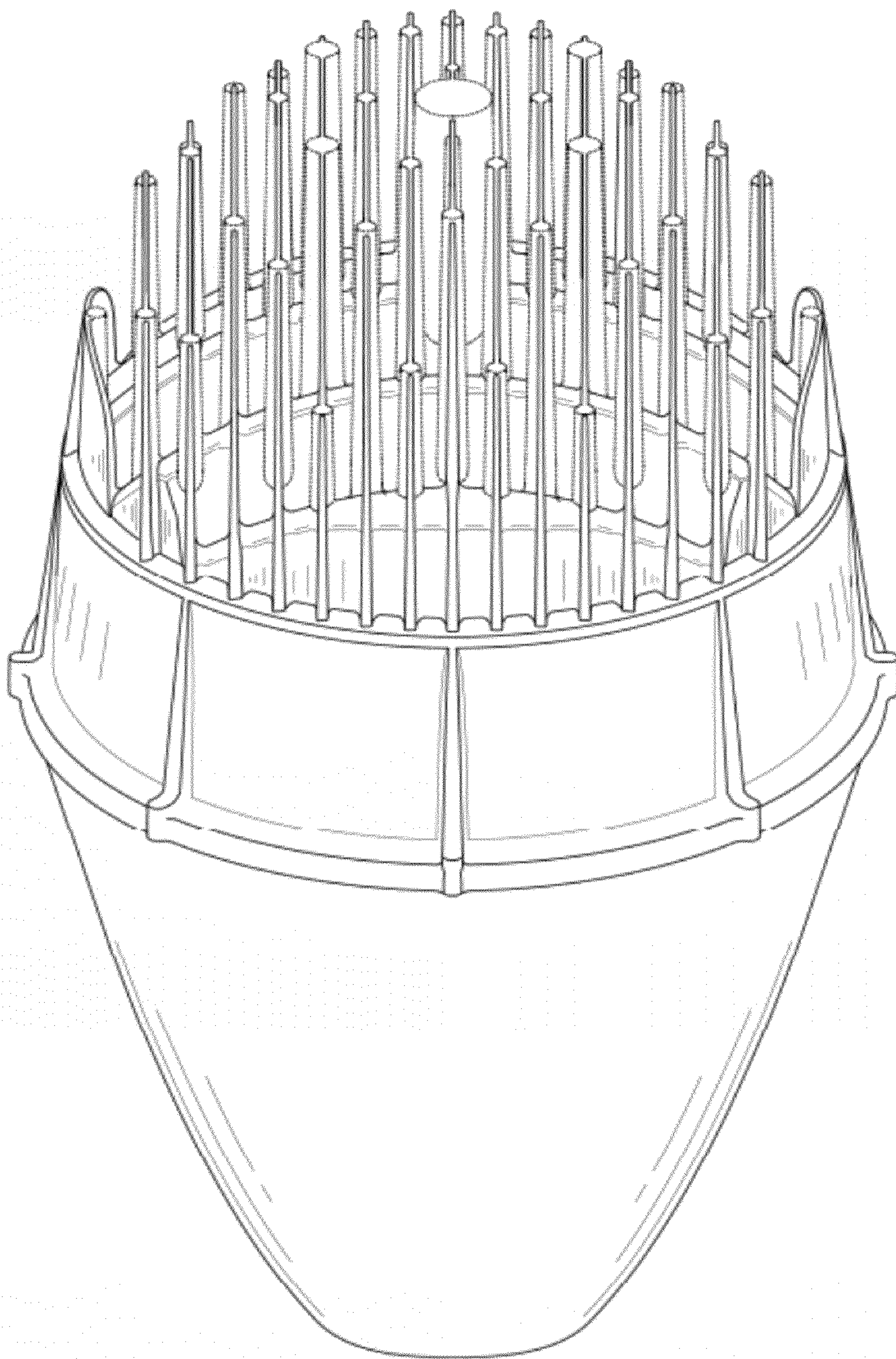


Fig. 2

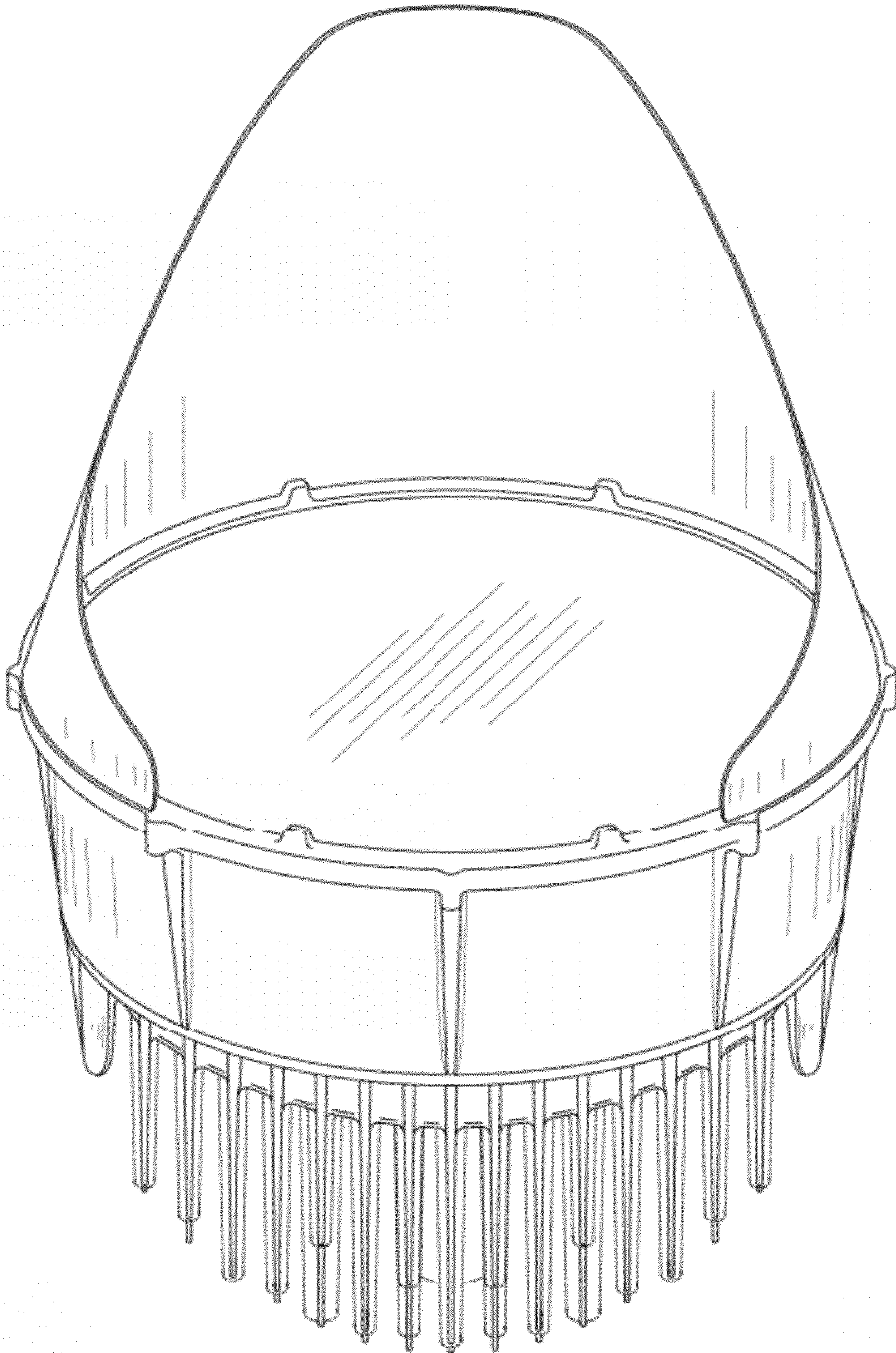


Fig. 3

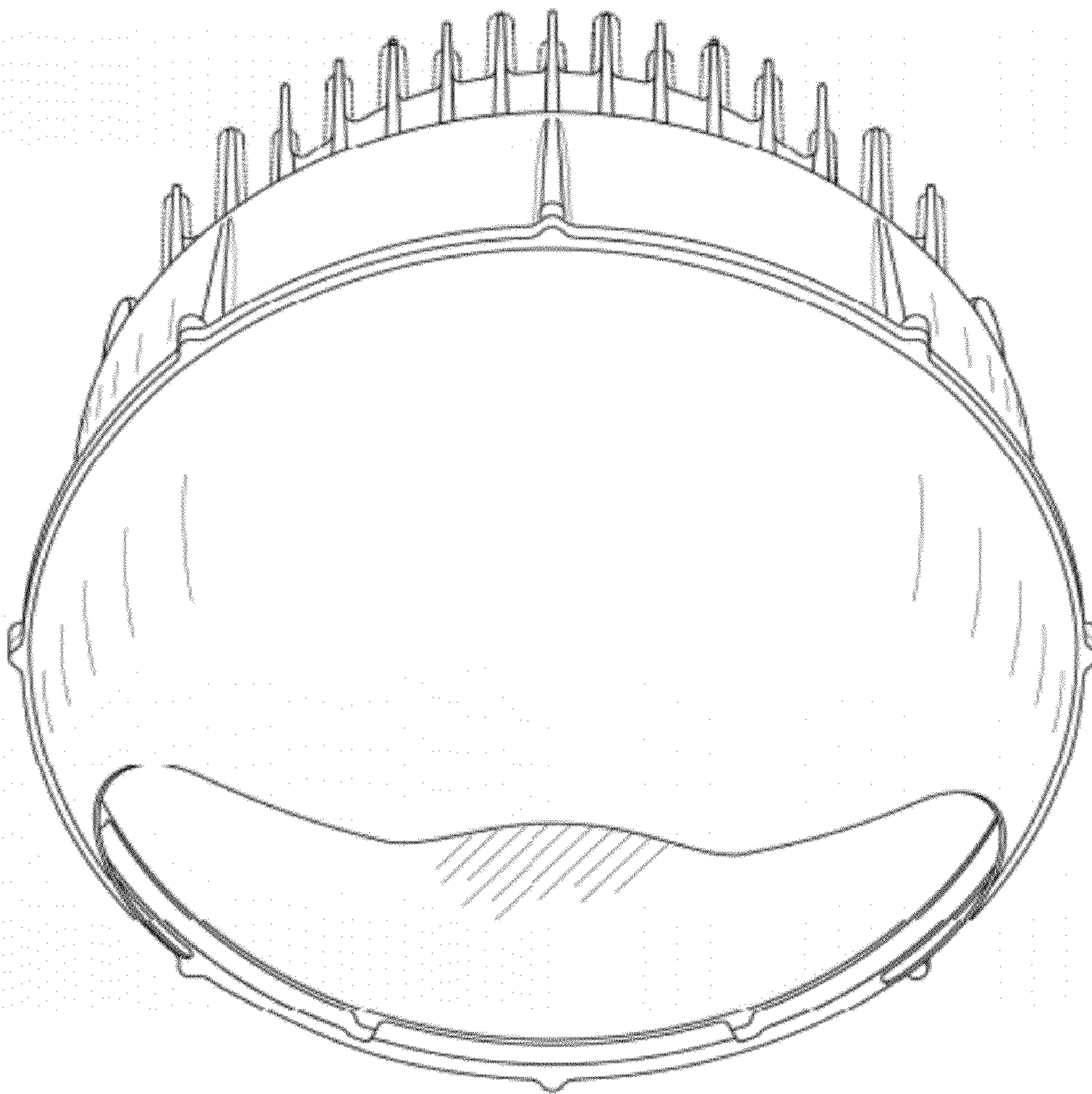


Fig. 4

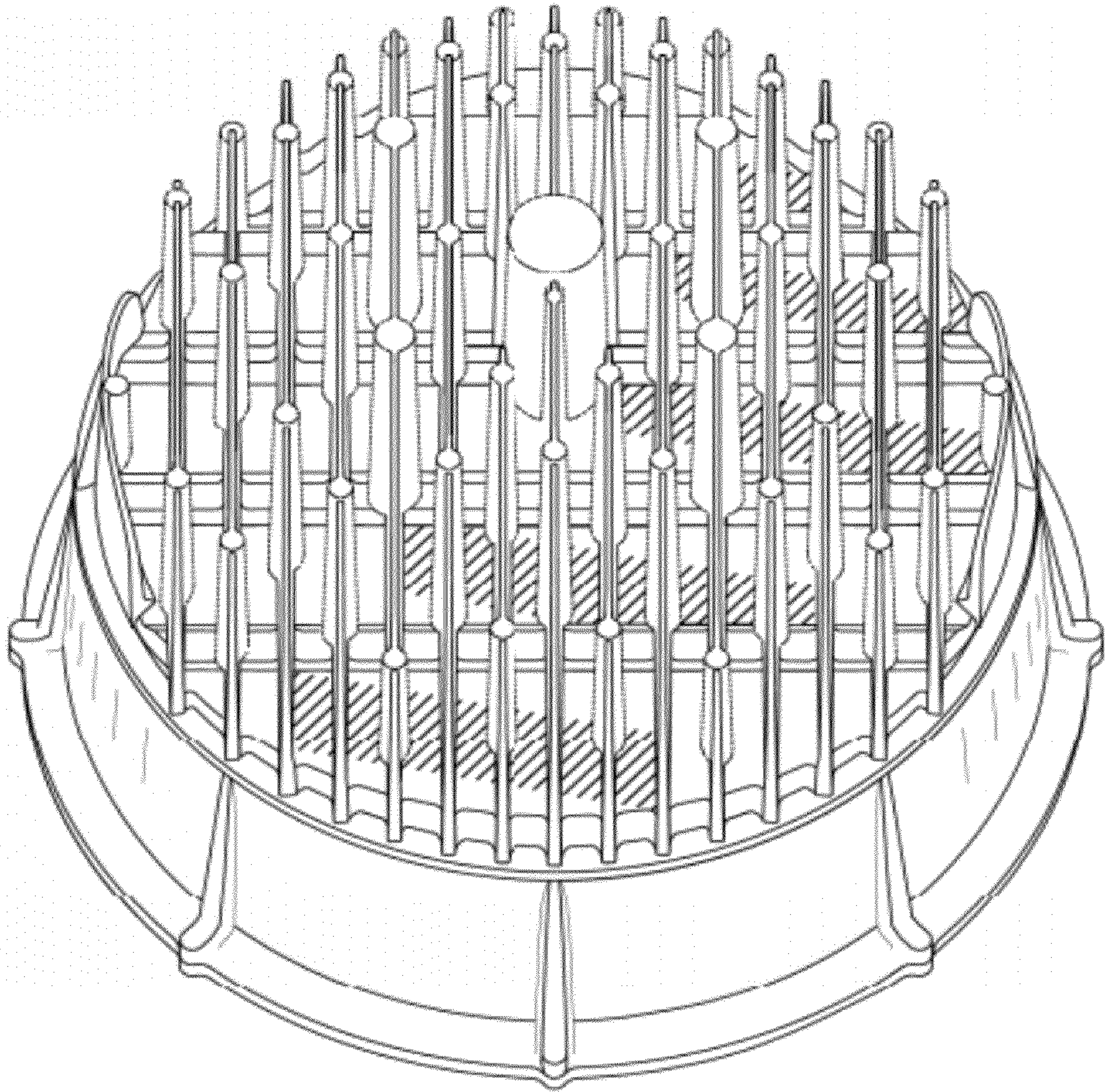


Fig. 5

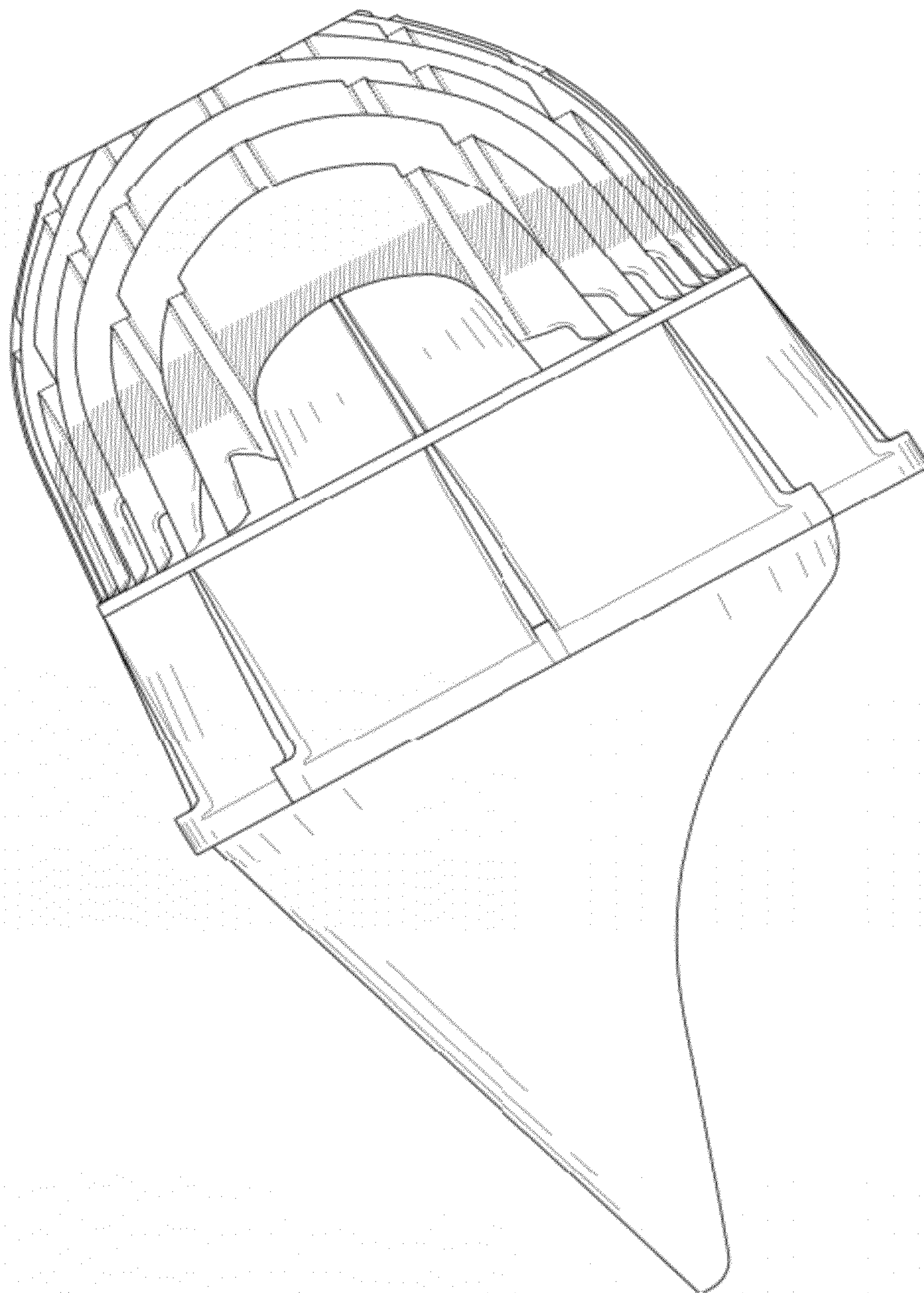


Fig. 6

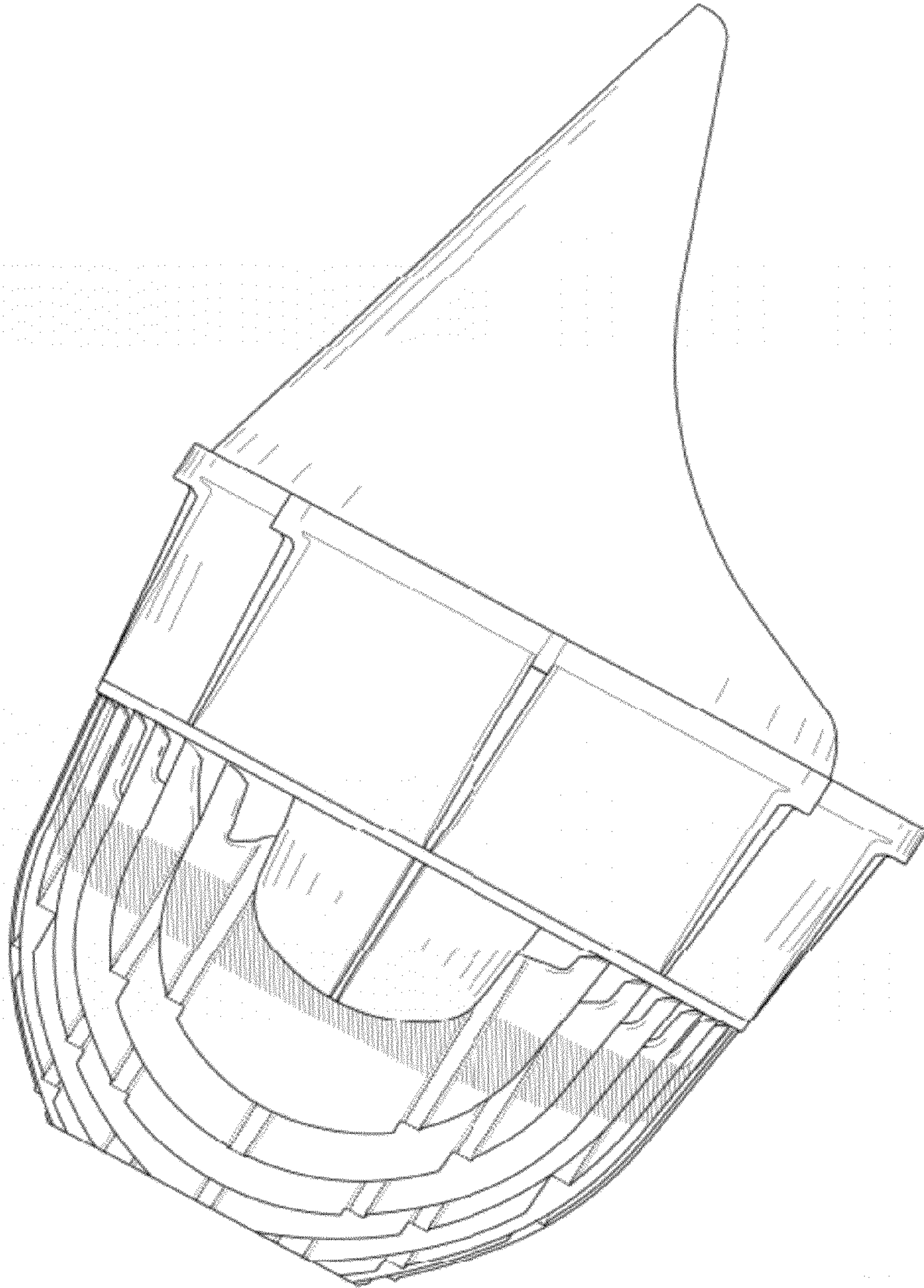


Fig. 7