

US00D656265S

(12) **United States Design Patent**  
**Sabernig**

(10) **Patent No.:** **US D656,265 S**  
(45) **Date of Patent:** **\*\* Mar. 20, 2012**

(54) **LIGHT FIXTURE**

(75) Inventor: **Robert Sabernig**, Munster (AT)

(73) Assignee: **EGLO Leuchten GmbH**, Innsbruck (AT)

(\*\*) Term: **14 Years**

(21) Appl. No.: **29/389,058**

(22) Filed: **Apr. 6, 2011**

(51) **LOC (9) Cl.** ..... **26-03**

(52) **U.S. Cl.** ..... **D26/88**

(58) **Field of Classification Search** ..... D26/72,  
D26/79, 80, 83, 85, 86, 88, 89, 91, 120, 134-136;  
362/147, 294, 351, 356, 453-457, 404-408,  
362/432

See application file for complete search history.

(56) **References Cited**

**U.S. PATENT DOCUMENTS**

D107,877 S *	1/1938	Levy .....	D26/89
2,255,431 A *	9/1941	Marden et al. ....	362/260
D349,778 S *	8/1994	Johnson et al. ....	D26/86
D443,713 S *	6/2001	Benensohn .....	D26/72
D498,871 S *	11/2004	Benensohn .....	D26/89
D576,761 S *	9/2008	Porter .....	D26/135
D596,336 S *	7/2009	Sabernig .....	D26/88
D601,744 S *	10/2009	Sakuma .....	D26/89
D628,737 S *	12/2010	van den Akker .....	D26/89
D633,644 S *	3/2011	Sprengers .....	D26/89
D634,053 S *	3/2011	Guercio .....	D26/89
D640,823 S *	6/2011	Hokazono et al. ....	D26/89
D641,517 S *	7/2011	Sprengers .....	D26/89

**OTHER PUBLICATIONS**

Sonneman "Discus" 14½" surface ceiling light fixture. Found at eurostylelighting.com visited Aug. 5, 2010.\*

"Piccolo" nickel square 7½" wide ceiling light. Found at eurostylelighting.com visited Aug. 5, 2010.\*

"Slide" wall or ceiling wet location 4½" wide light fixture. Found at eurostylelighting.com visited Aug. 5, 2010.\*

"Industrial" 16" wide ceiling light fixture. Found at eurostylelighting.com visited Aug. 5, 2010.\*

\* cited by examiner

*Primary Examiner* — Clare E Heflin

(74) *Attorney, Agent, or Firm* — Baker & McKenzie LLP

(57) **CLAIM**

The ornamental design for a light fixture, as shown and described.

**DESCRIPTION**

FIG. 1 is a perspective view of a light fixture in accordance with my design;

FIG. 2 is a top plan view of the light fixture in accordance with my design;

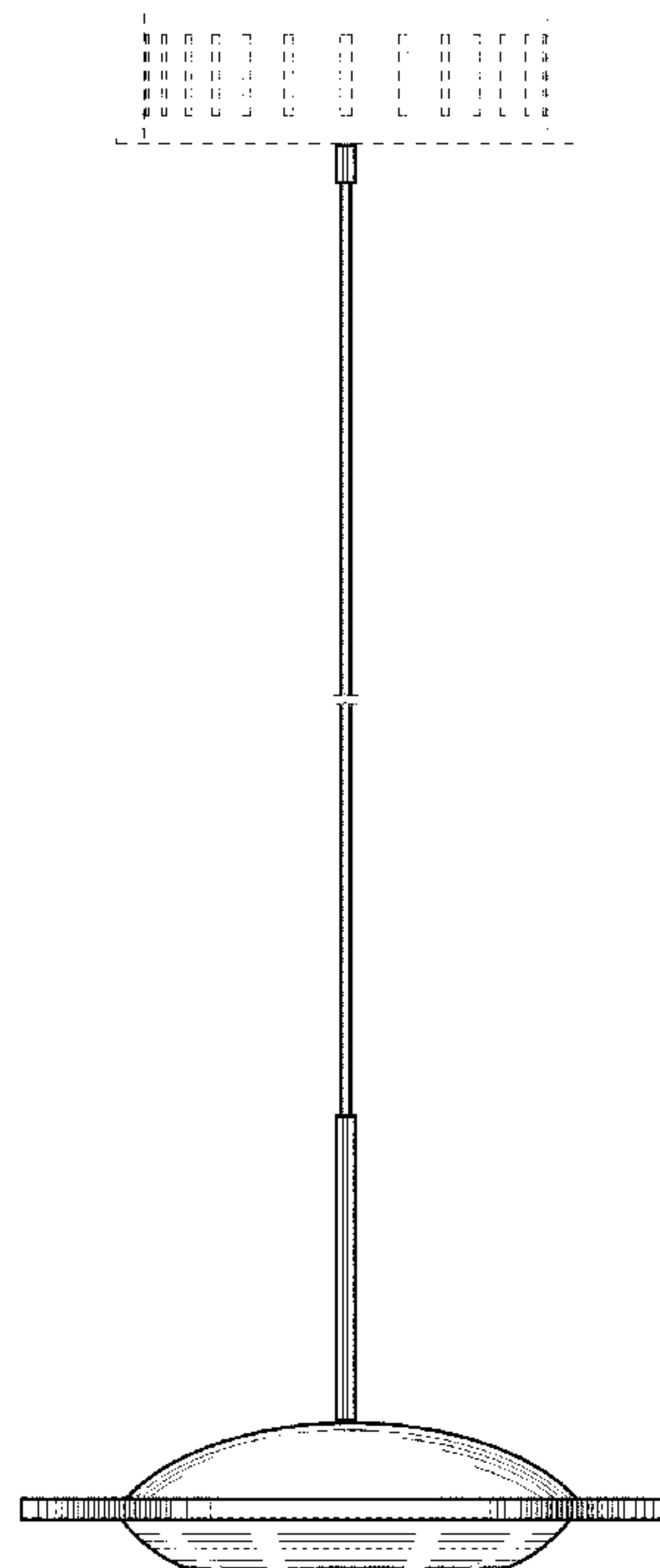
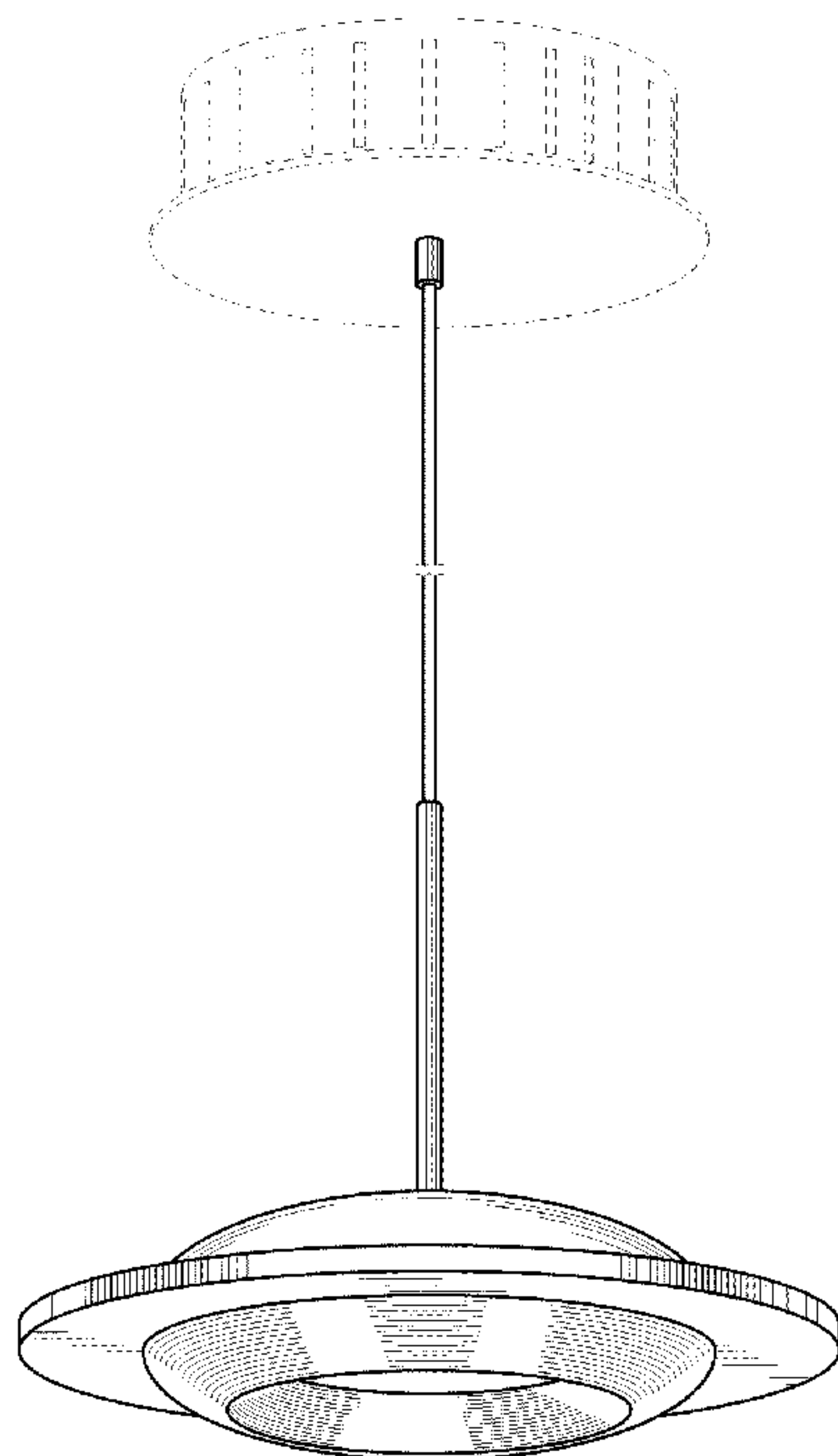
FIG. 3 is a bottom plan view of the light fixture in accordance with my design; and,

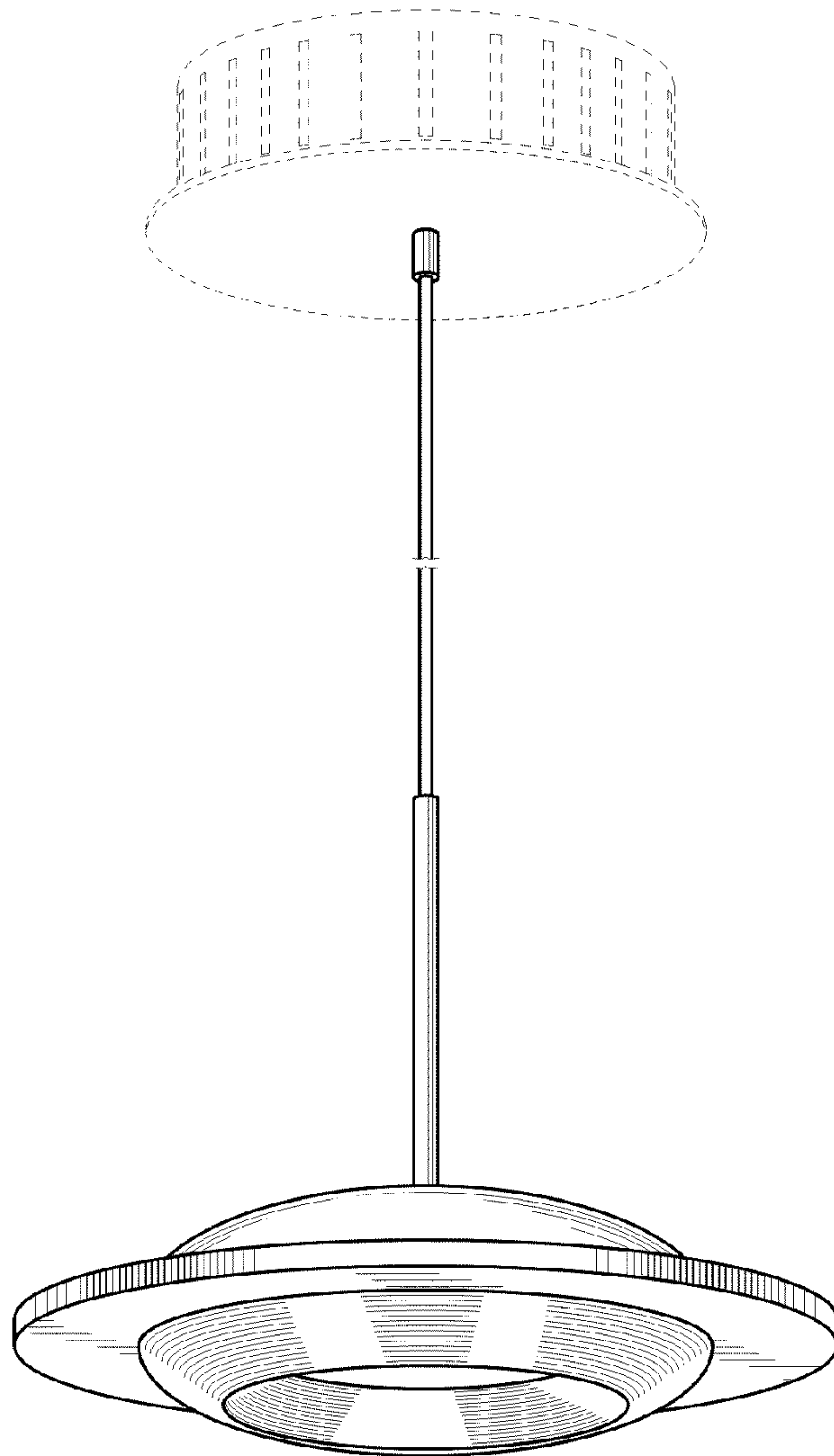
FIG. 4 is a front elevation view of the light fixture in accordance with my design, all elevation views being substantially identical.

The portions of the light fixture shown broken away in FIGS. 1-4 are to depict nonspecific length.

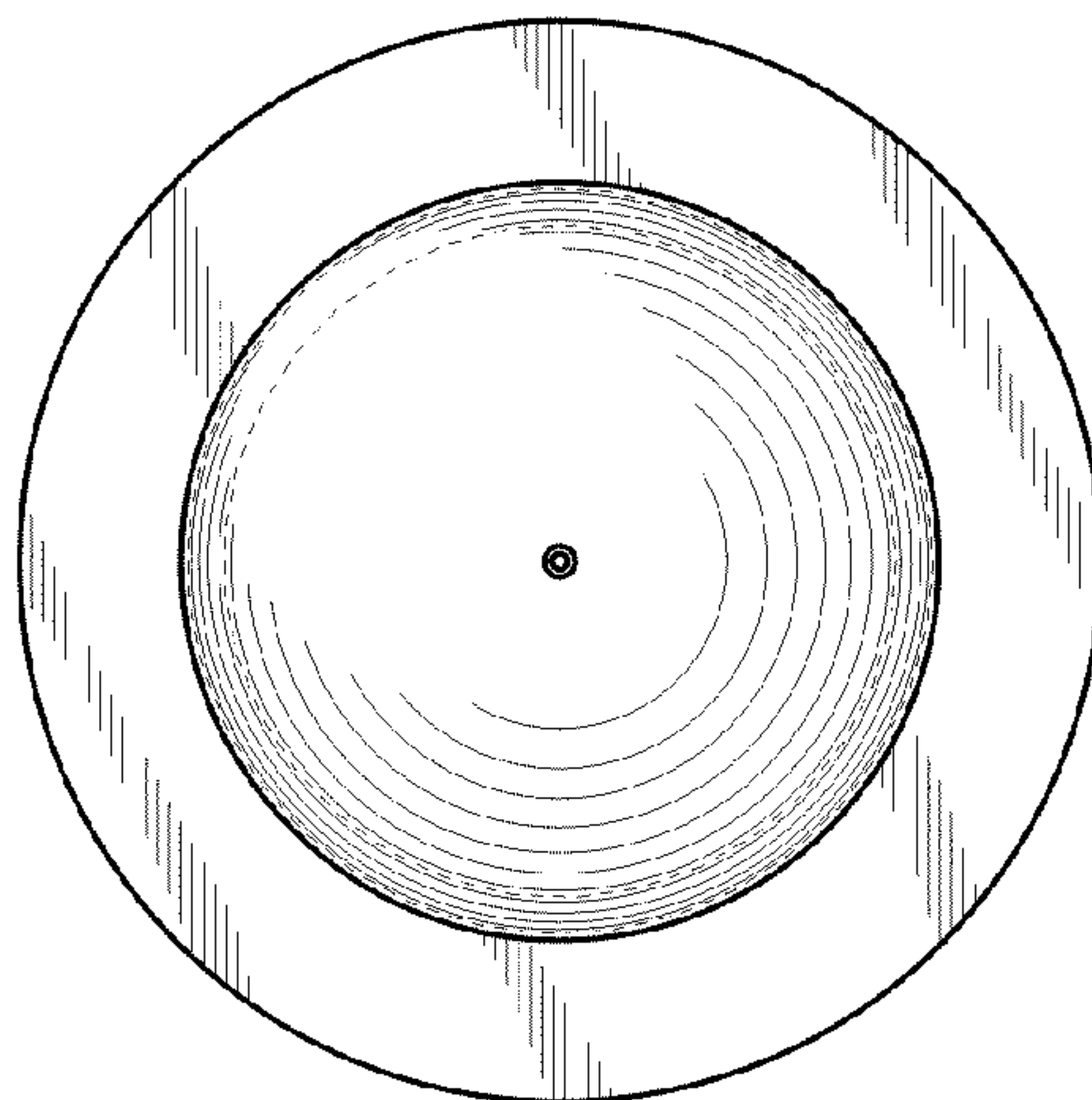
The broken-line disclosure of elements is understood to represent portions of the article in which the design is embodied, but which form no part of the claimed design.

**1 Claim, 2 Drawing Sheets**

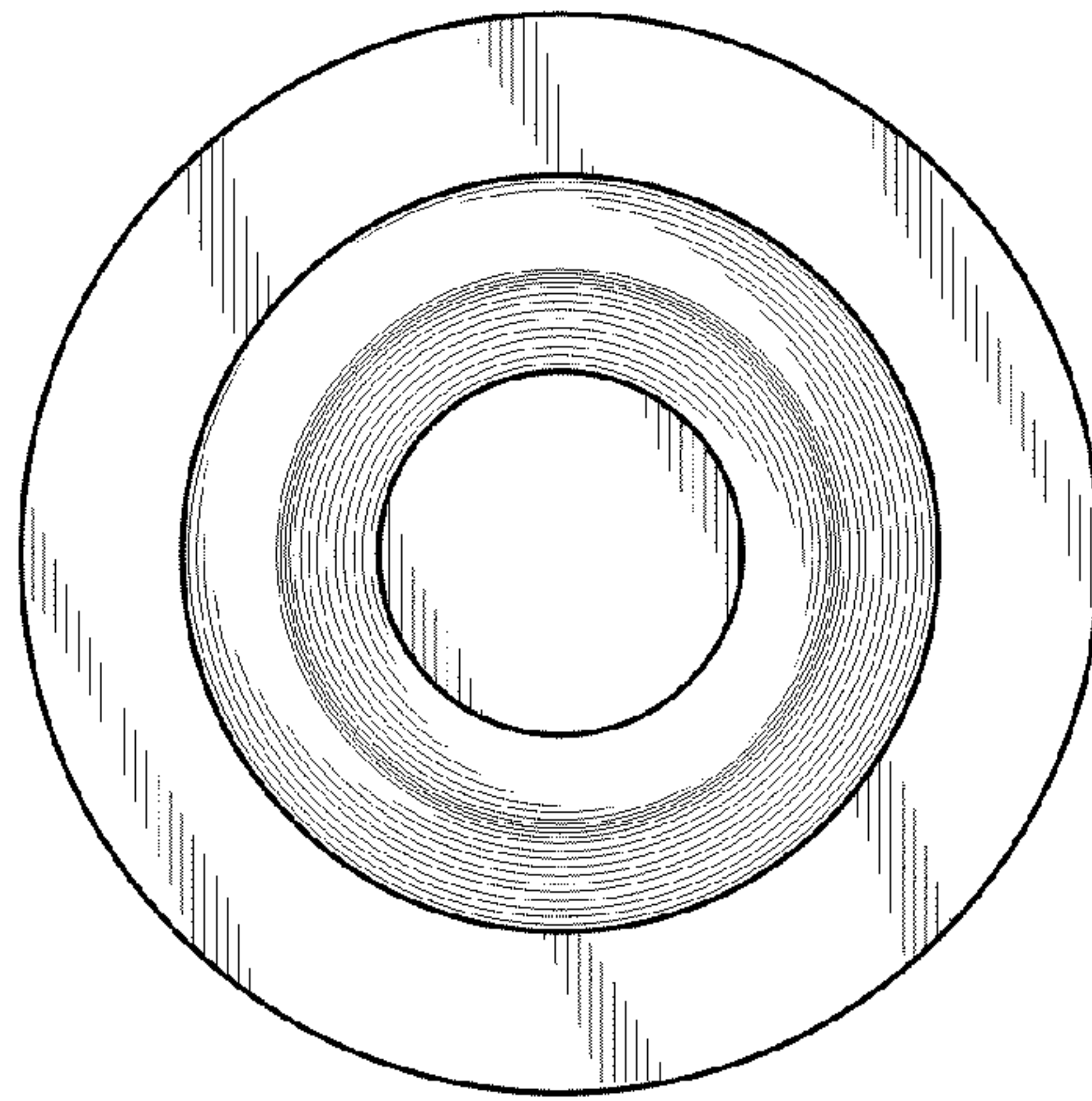




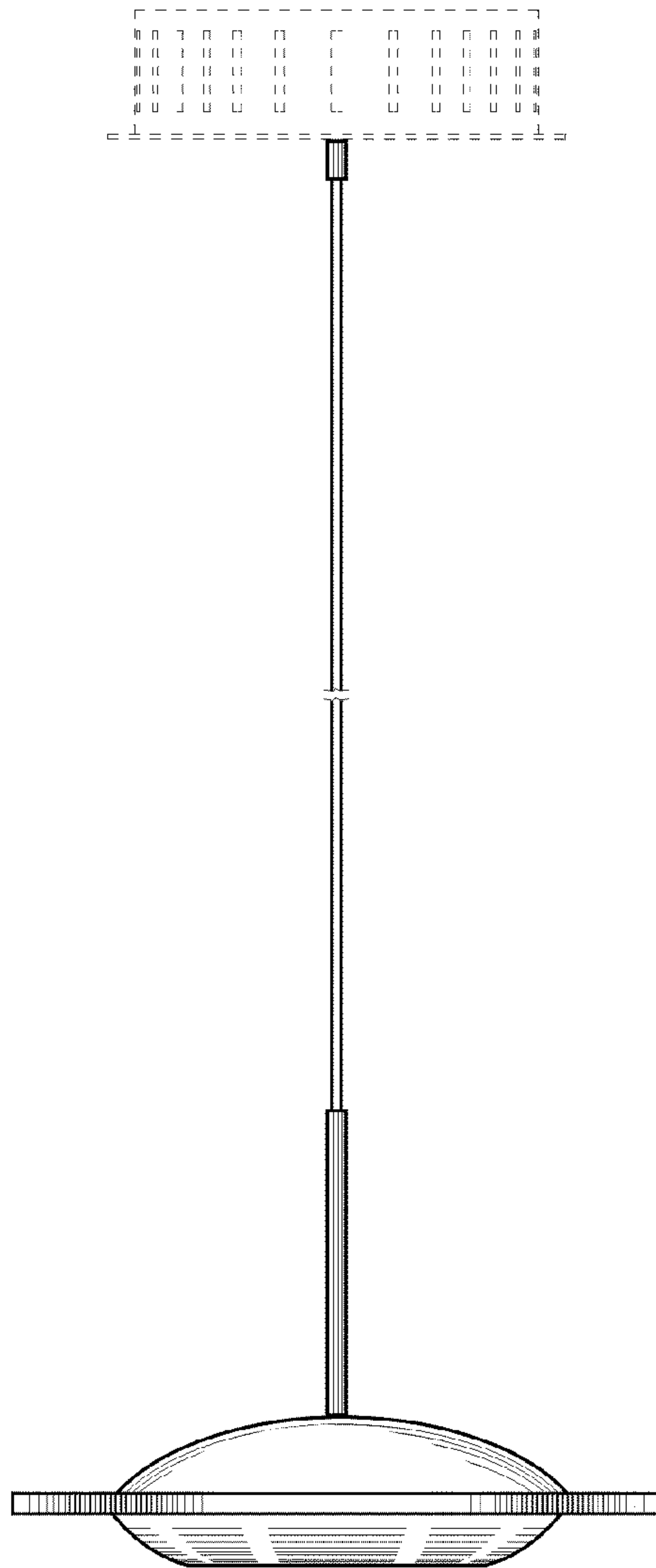
*Fig.1*



*Fig.2*



*Fig.3*



*Fig.4*