

US00D656263S

(12) **United States Design Patent**  
**Ogawa et al.**

(10) **Patent No.:** **US D656,263 S**  
(45) **Date of Patent:** **\*\* Mar. 20, 2012**

(54) **RECESSED LIGHTING FIXTURE**  
(75) Inventors: **Kozo Ogawa**, Kanagawa (JP); **Kazunari Higuchi**, Kanagawa (JP); **Shigetoshi Komiyama**, Kanagawa (JP); **Takayoshi Moriyama**, Kanagawa (JP)

D610,289	S	*	2/2010	Yoshinobu et al.	.....	D26/74
D610,290	S	*	2/2010	Yoshinobu et al.	.....	D26/74
D610,291	S	*	2/2010	Yoshinobu et al.	.....	D26/74
D624,691	S	*	9/2010	Zhang et al.	.....	D26/138
D625,876	S	*	10/2010	Chen et al.	.....	D26/74
2009/0201683	A1	*	8/2009	Chuan	.....	362/294
2010/0061108	A1	*	3/2010	Zhang et al.	.....	362/364
2010/0195327	A1	*	8/2010	Inoue et al.	.....	362/235

(73) Assignees: **Toshiba Lighting & Technology Corporation**, Kanagawa (JP); **Kabushiki Kaisha Toshiba**, Tokyo (JP)

FOREIGN PATENT DOCUMENTS

JP	D1293407	2/2007
JP	D1318676	1/2008
JP	D1376524	12/2009

(\*\*) Term: **14 Years**

\* cited by examiner

(21) Appl. No.: **29/369,103**

*Primary Examiner* — Angela J Lee

(22) Filed: **Sep. 2, 2010**

(74) *Attorney, Agent, or Firm* — J.C. Patents

(30) **Foreign Application Priority Data**

Mar. 8, 2010 (JP) ..... 2010-005512

(51) **LOC (9) Cl.** ..... **26-05**

(52) **U.S. Cl.** ..... **D26/74**

(58) **Field of Classification Search** ..... D26/24,  
D26/72, 74, 80, 81, 83, 85, 88, 61, 63, 118;  
362/576, 89, 145, 147, 148, 150, 151, 152,  
362/153, 153.1, 294, 296.01, 311.02, 311.07,  
362/364, 365, 366, 373

See application file for complete search history.

(56) **References Cited**

U.S. PATENT DOCUMENTS

D326,537	S	*	5/1992	Gattari	.....	D26/74
D573,294	S	*	7/2008	Chan et al.	.....	D26/74
D591,894	S	*	5/2009	Flank	.....	D26/74
D595,005	S	*	6/2009	Chou	.....	D26/74

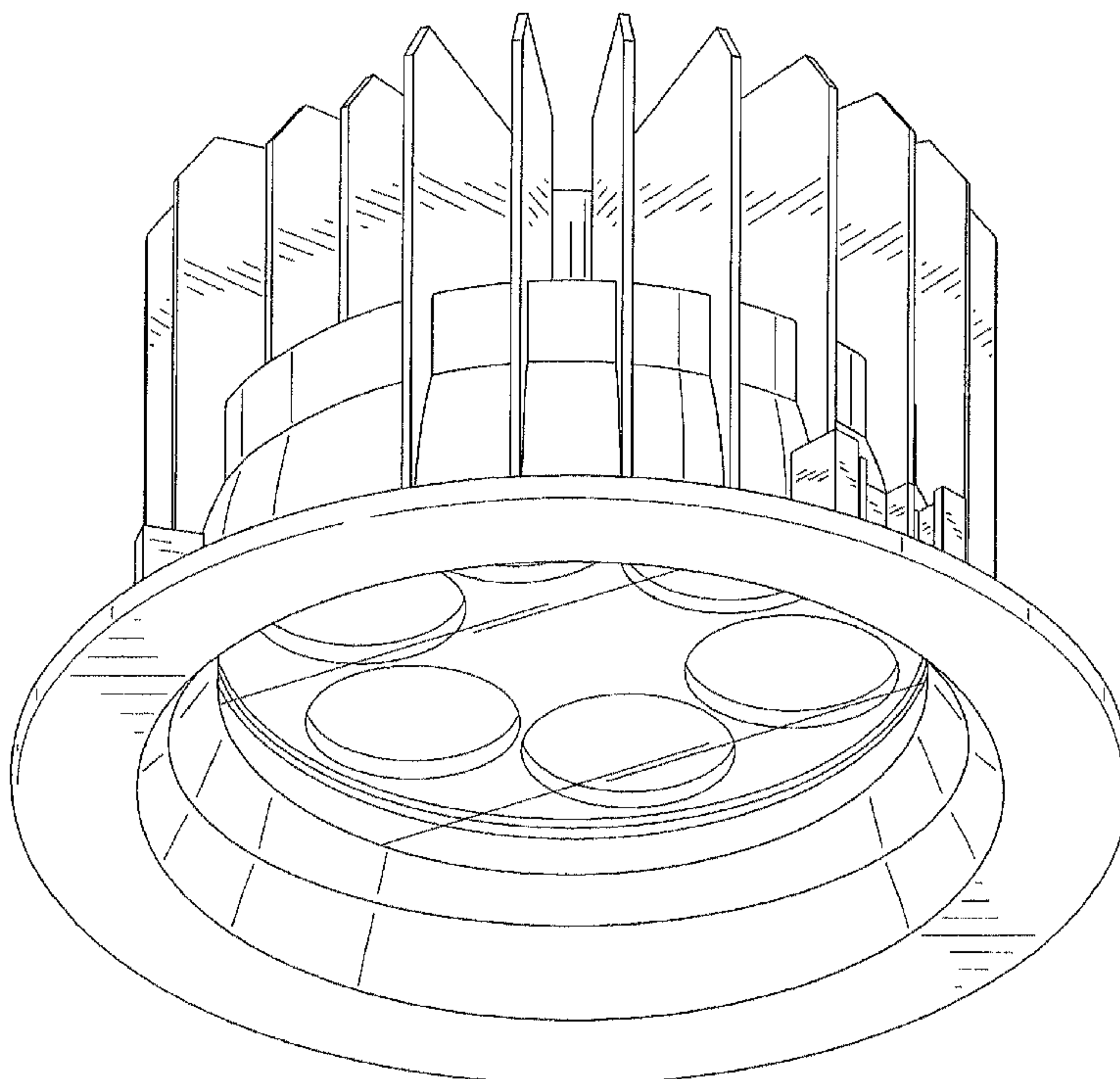
(57) **CLAIM**

The ornamental design for a recessed lighting fixture, as shown and described.

**DESCRIPTION**

FIG. 1 is a perspective view of a recessed lighting fixture showing our new design;  
FIG. 2 is another perspective view thereof;  
FIG. 3 is a front view thereof, the rear view being a minor image of the front view;  
FIG. 4 is a left side view thereof;  
FIG. 5 is a right side view thereof;  
FIG. 6 is a top view thereof;  
FIG. 7 is a bottom view thereof; and,  
FIG. 8 is a cross-sectional view taken along line 8-8 in FIG. 5.

**1 Claim, 8 Drawing Sheets**



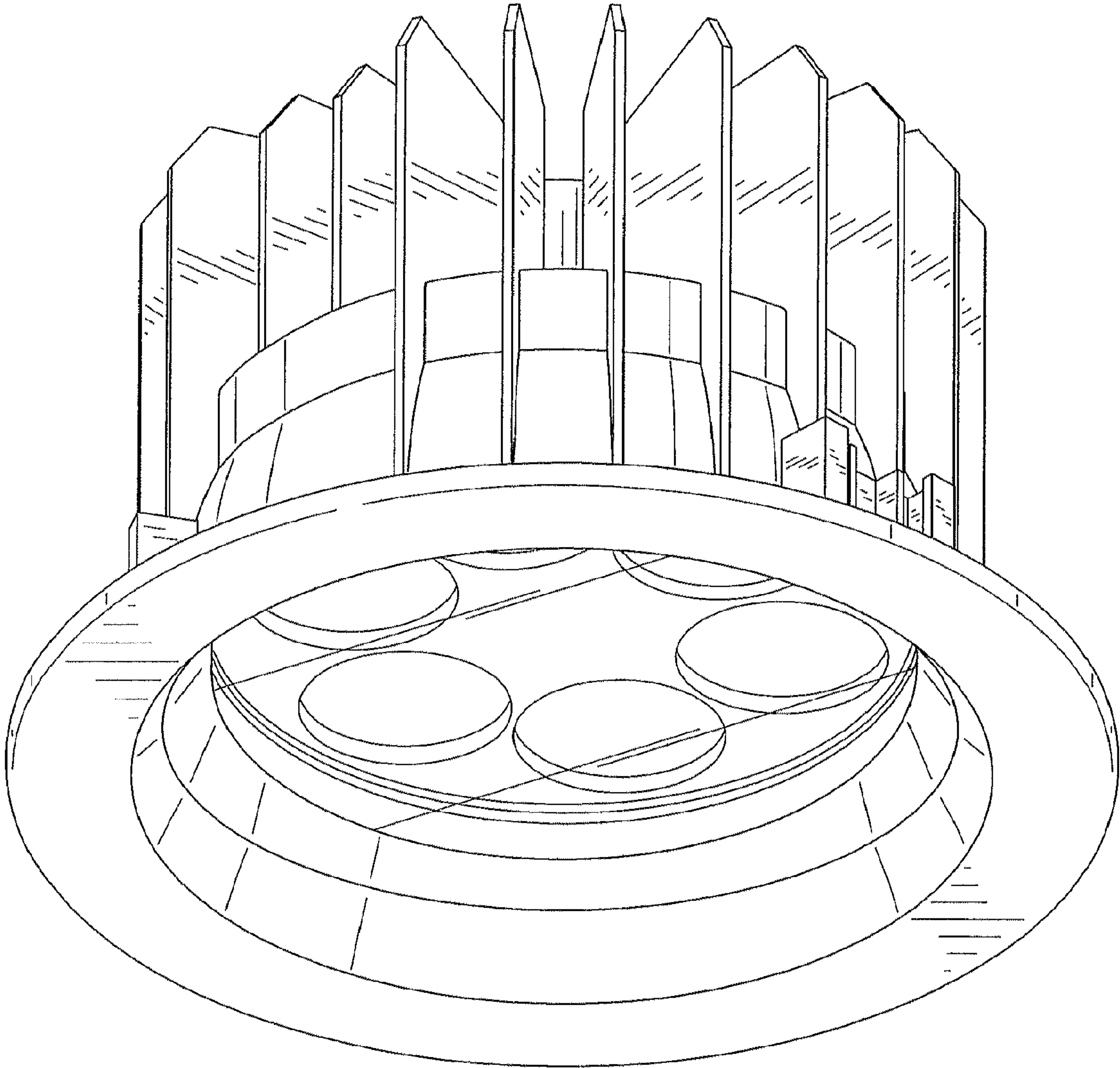


FIG. 1

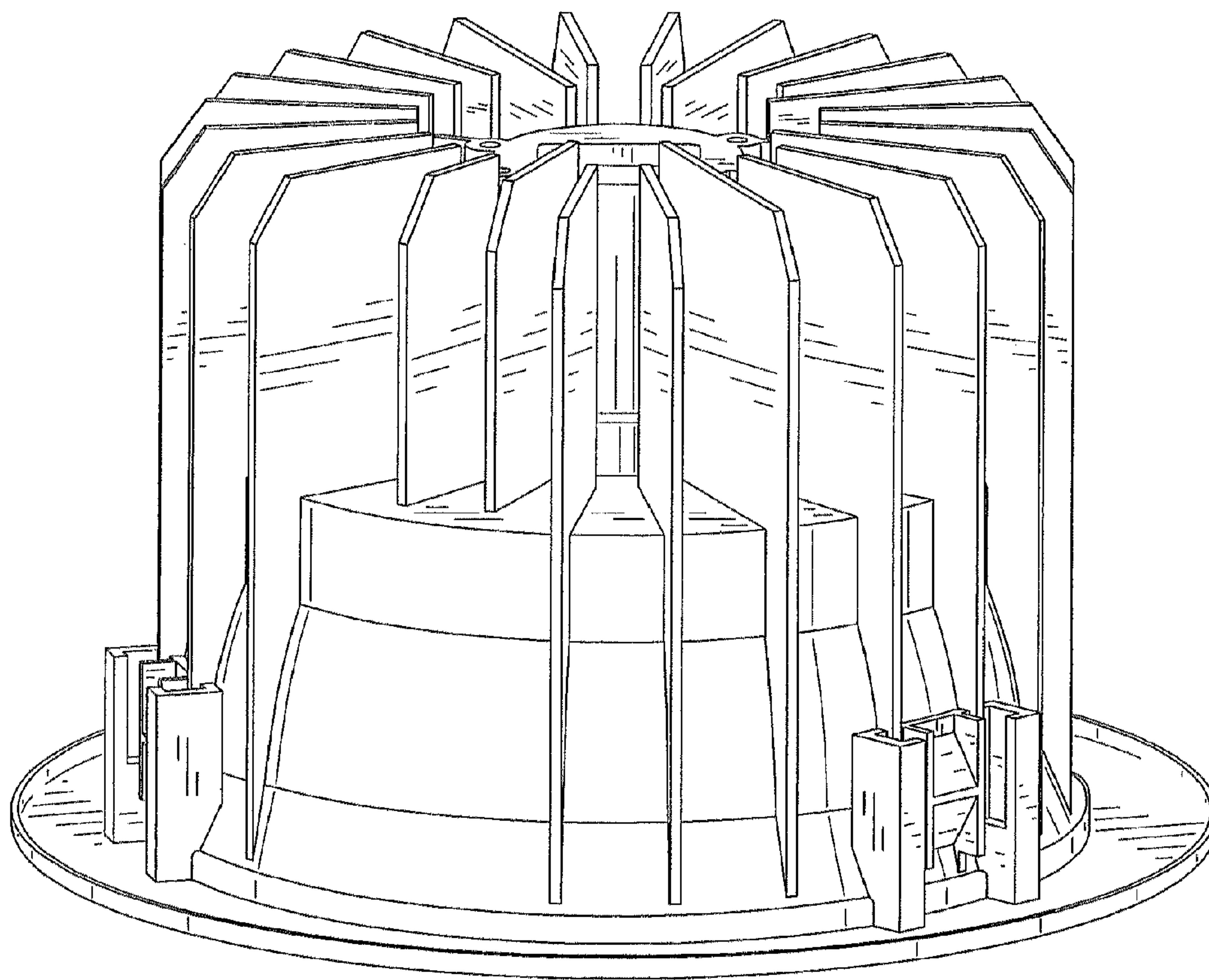


FIG. 2

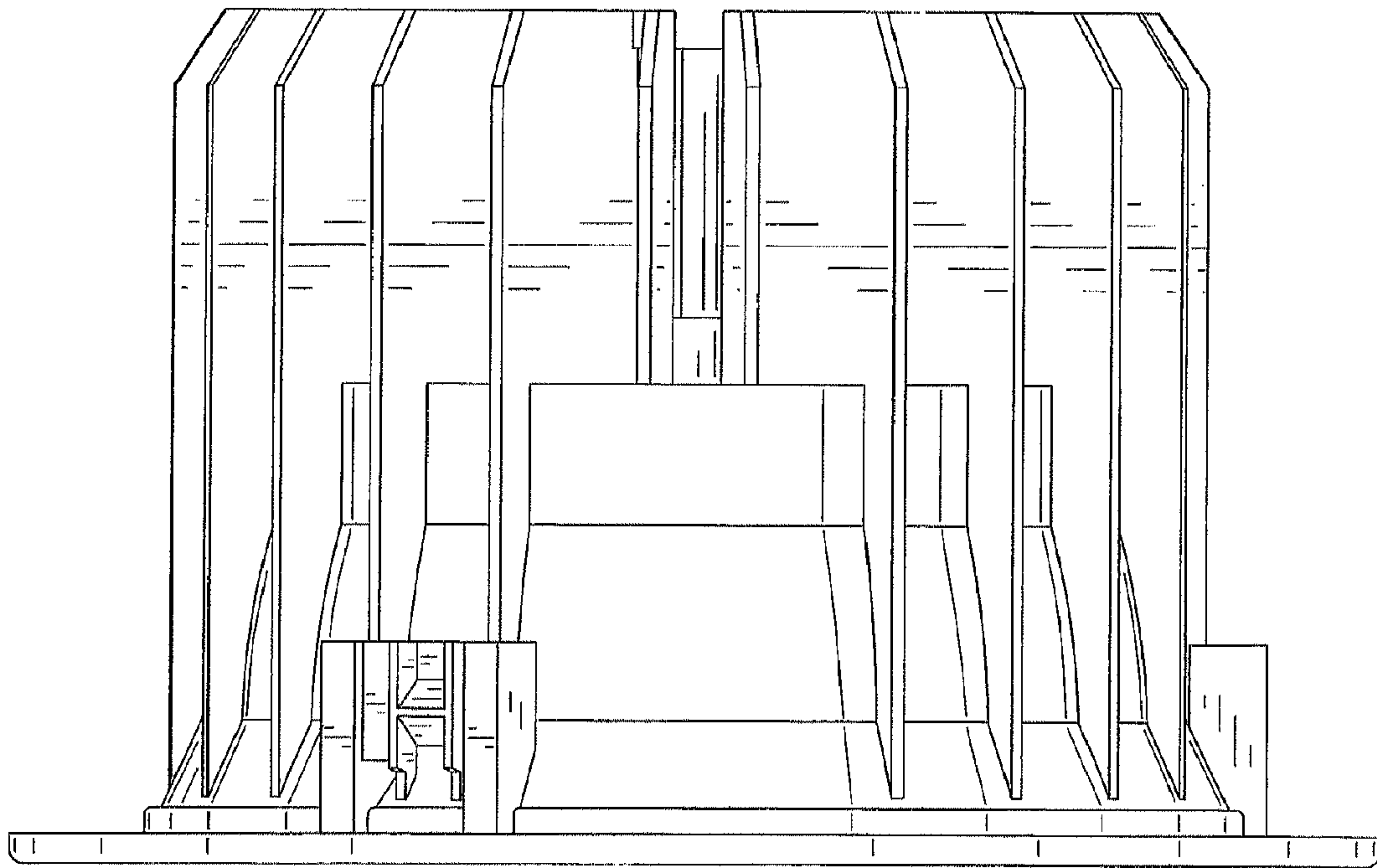


FIG. 3



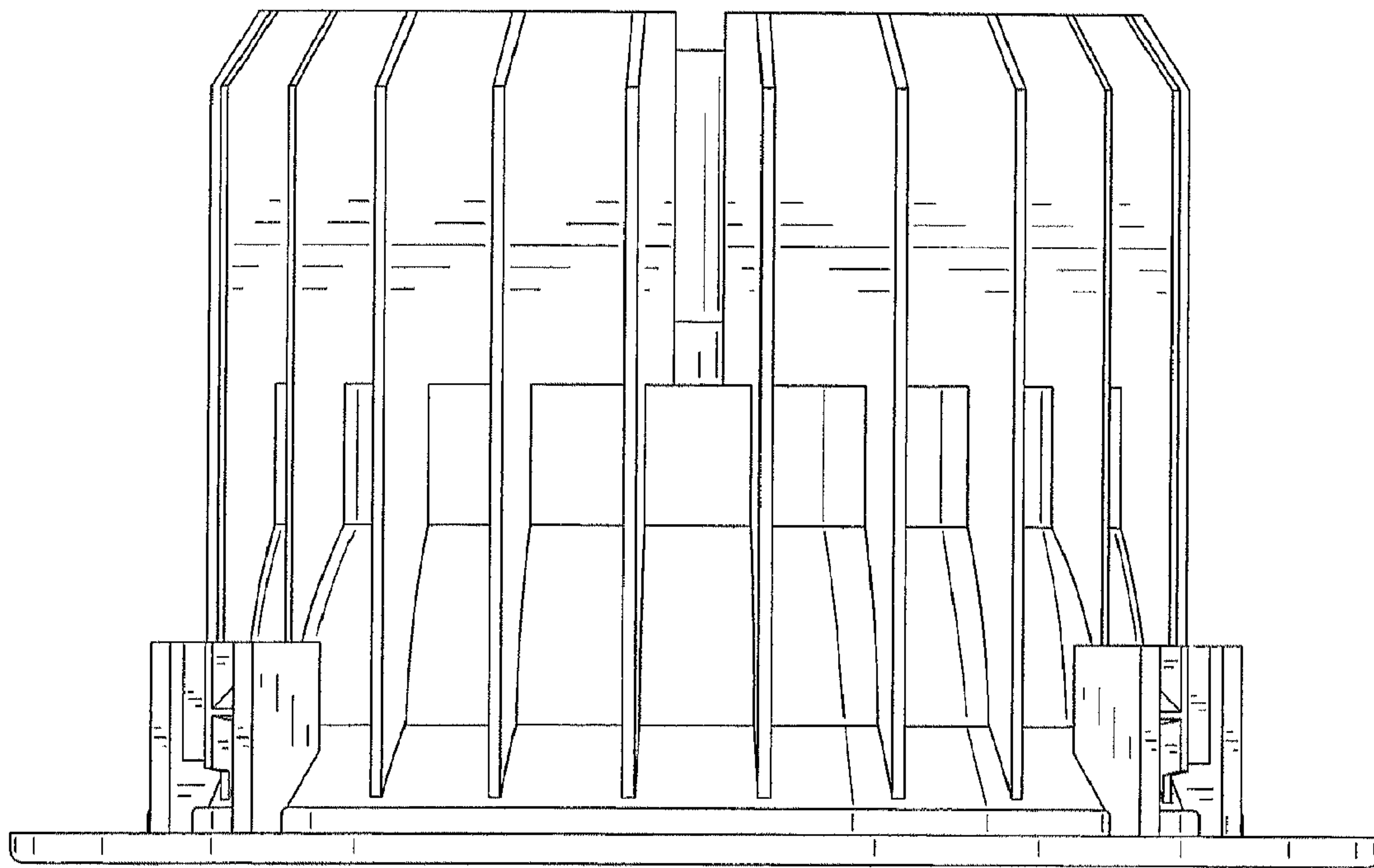


FIG. 4

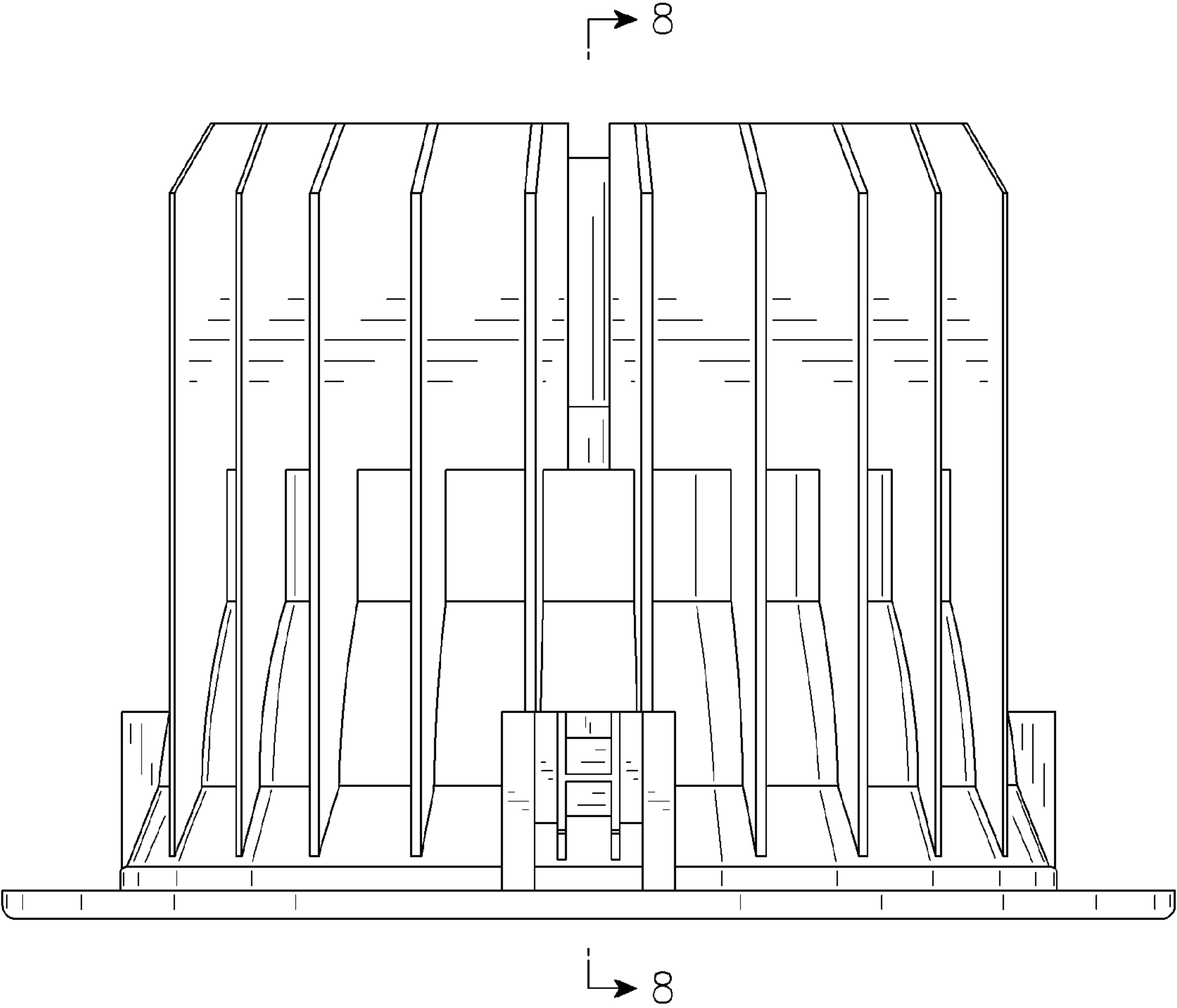


FIG. 5

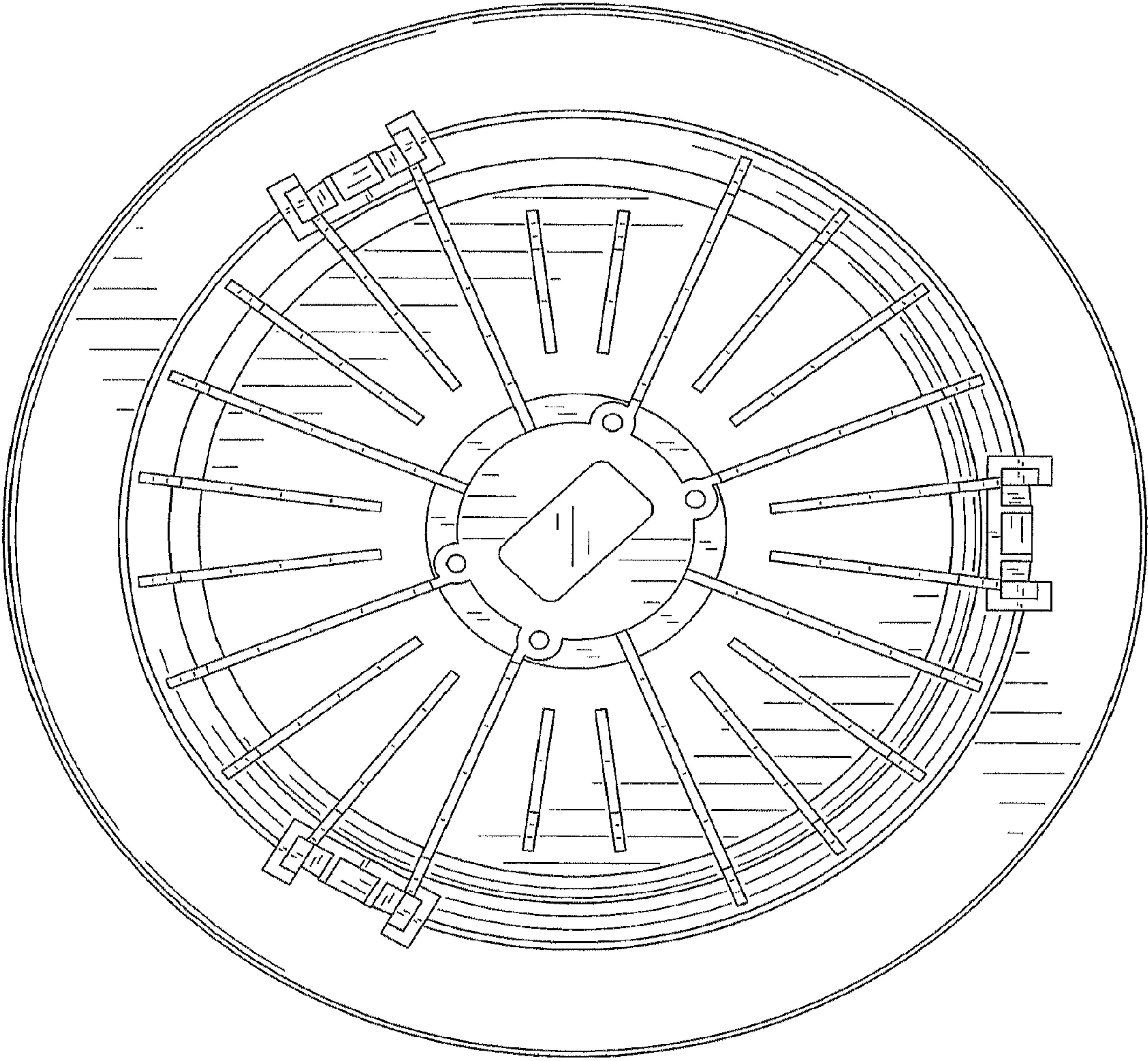


FIG. 6

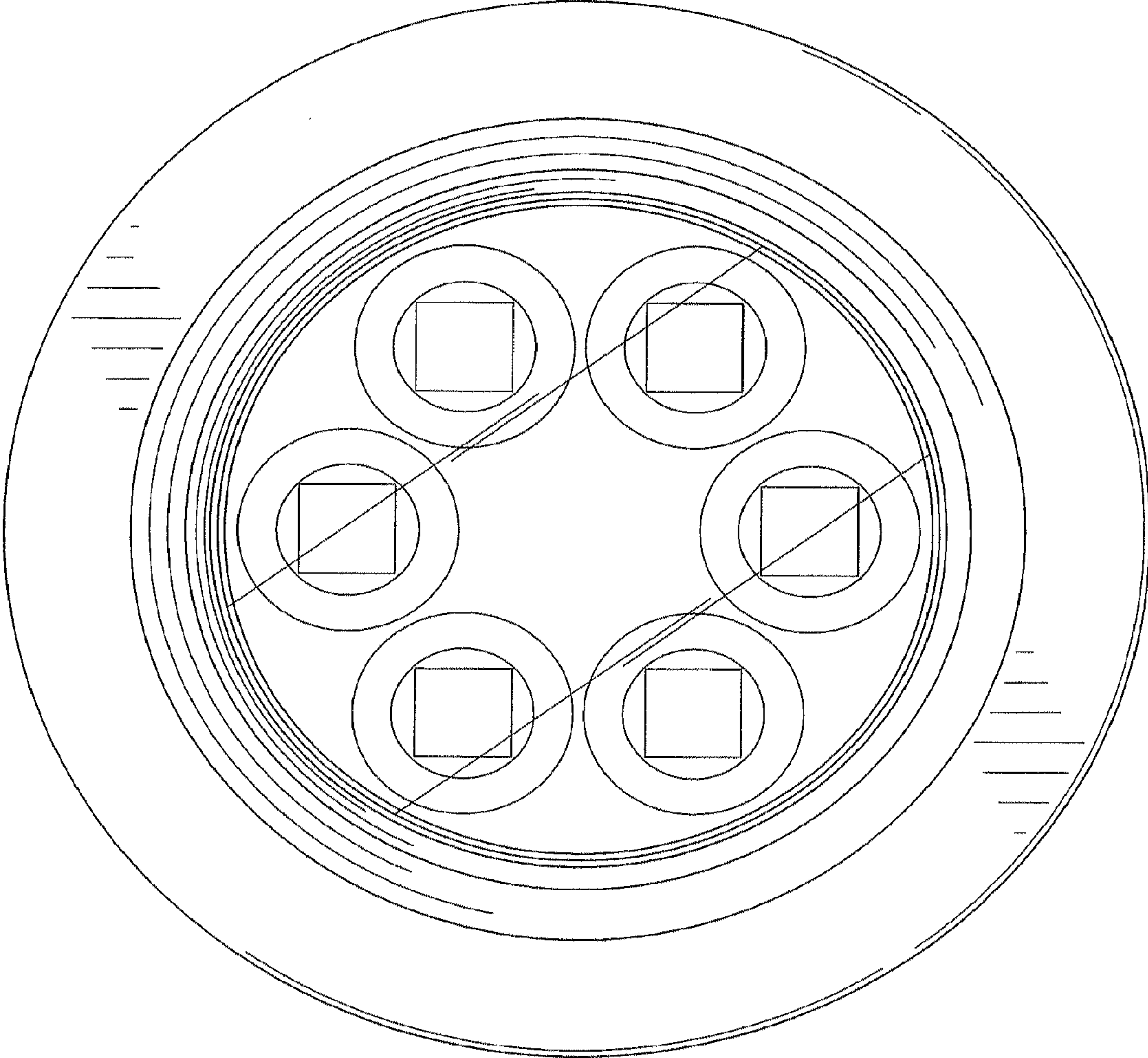


FIG. 7



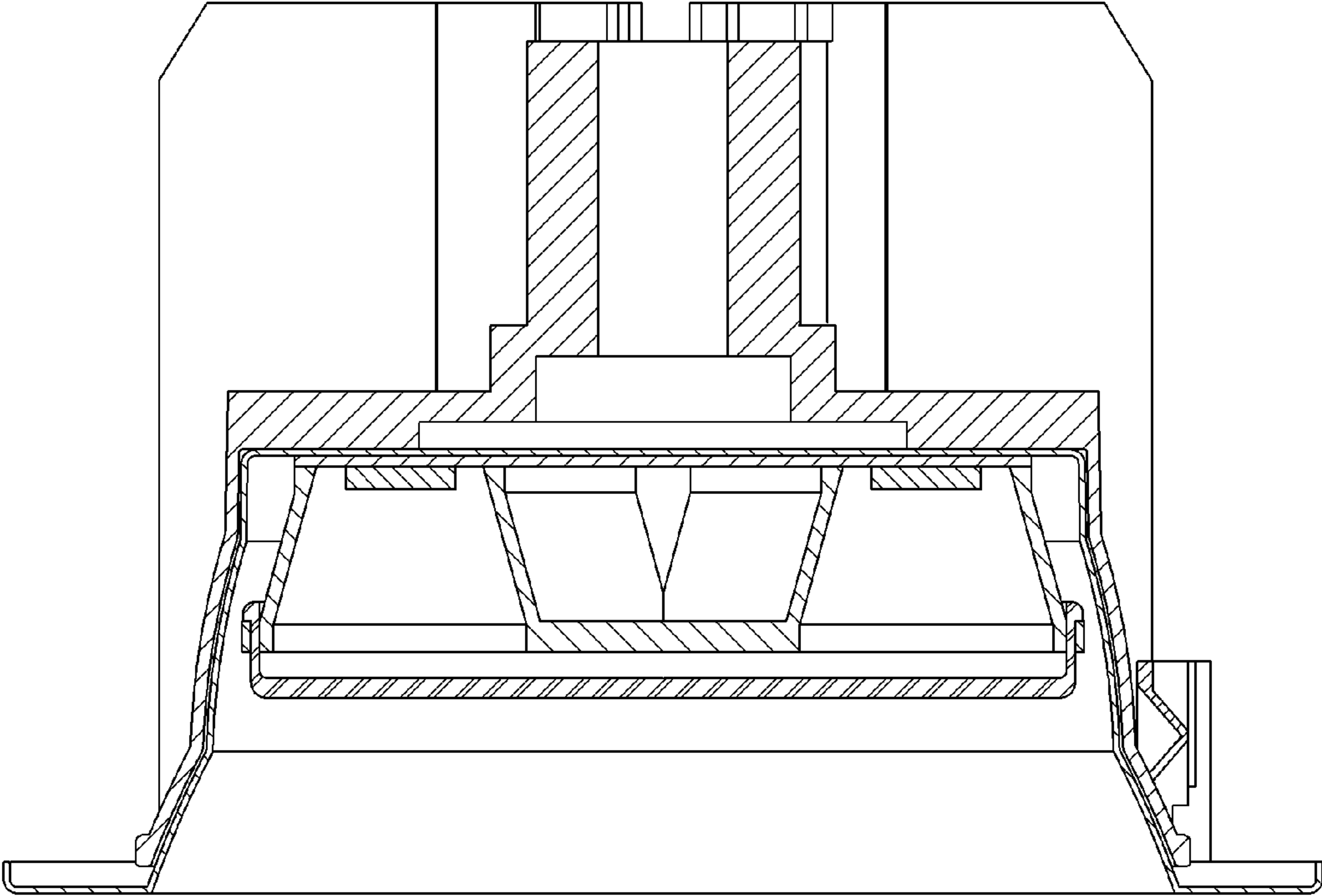


FIG. 8