



US00D656262S

(12) **United States Design Patent**
Yoshinobu et al.

(10) **Patent No.:** **US D656,262 S**

(45) **Date of Patent:** **** *Mar. 20, 2012**

(54) **RECESS LIGHTING FIXTURE**

(75) Inventors: **Masayuki Yoshinobu**, Yokosuka (JP);
Keiichi Shimizu, Yokosuka (JP); **Sumio Hashimoto**, Yokosuka (JP); **Masaru Inoue**, Yokosuka (JP)

(73) Assignee: **Toshiba Lighting & Technology Corporation**, Kanagawa (JP)

(*) Notice: This patent is subject to a terminal disclaimer.

(**) Term: **14 Years**

(21) Appl. No.: **29/353,544**

(22) Filed: **Jan. 11, 2010**

Related U.S. Application Data

(63) Continuation-in-part of application No. 29/304,252, filed on Feb. 27, 2008, now abandoned.

(30) **Foreign Application Priority Data**

Aug. 29, 2007 (JP) 2007-023463

(51) **LOC (9) Cl.** **26-05**

(52) **U.S. Cl.** **D26/74**

(58) **Field of Classification Search** D26/26,
D26/37, 67, 72, 74-79, 80, 104, 108, 118,
D26/120; 362/147-148, 150, 217-225, 132,
362/260, 262-264, 267, 345, 440; D13/180
See application file for complete search history.

(56) **References Cited**

U.S. PATENT DOCUMENTS

3,010,013 A * 11/1961 Gunther et al. 362/147
4,196,460 A * 4/1980 Schreckendgust 362/231
D300,877 S * 4/1989 Cyr D26/134
D324,924 S * 3/1992 Bengochea D26/88
D326,537 S * 5/1992 Gattari D26/74
5,743,628 A * 4/1998 Greif et al. 362/228
D404,122 S * 1/1999 Hayashi et al. D23/370

D469,900 S * 2/2003 Galli D26/37
D544,117 S * 6/2007 Coushaine D26/37
D573,294 S * 7/2008 Chan et al. D26/74
D574,541 S * 8/2008 Matsumoto et al. D26/74
D610,289 S * 2/2010 Yoshinobu et al. D26/74
D610,290 S * 2/2010 Yoshinobu et al. D26/74
D610,291 S * 2/2010 Yoshinobu et al. D26/74
D610,292 S * 2/2010 Yoshinobu et al. D26/74
D614,781 S * 4/2010 Huang D26/2
D617,930 S * 6/2010 Chen D26/63
D624,691 S * 9/2010 Zhang et al. D26/138
D625,875 S * 10/2010 Chen et al. D26/74
D625,876 S * 10/2010 Chen et al. D26/74
D626,665 S * 11/2010 Sorokin D26/2
D634,045 S * 3/2011 Yoshida et al. D26/74
D634,884 S * 3/2011 Yoshinobu et al. D26/123
D640,820 S * 6/2011 Hopper D26/74
D644,781 S * 9/2011 Kawagoe et al. D26/120
2003/0137838 A1 * 7/2003 Rizkin et al. 362/240

* cited by examiner

Primary Examiner — Susan E Krakower

(74) *Attorney, Agent, or Firm* — J.C. Patents

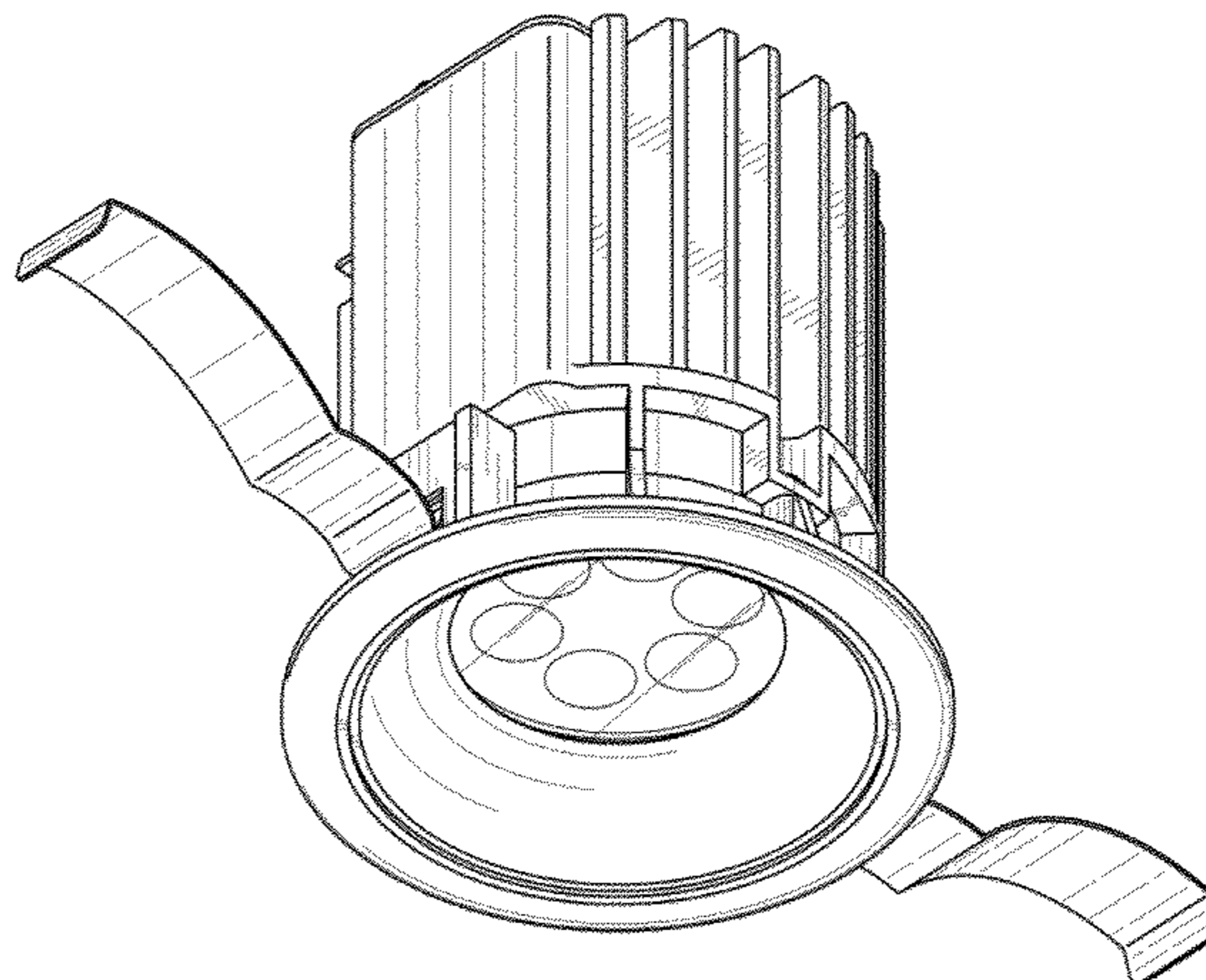
(57) **CLAIM**

The ornamental design for a recessed lighting fixture, as shown and described.

DESCRIPTION

FIG. 1 is a perspective view of a recessed lighting fixture showing our new design;
FIG. 2 is a front view thereof;
FIG. 3 is a rear view thereof;
FIG. 4 is a left side view thereof;
FIG. 5 is a right side view thereof;
FIG. 6 is a top view thereof;
FIG. 7 is a bottom view thereof;
FIG. 8 is a front view shown in use embedded in a ceiling; and,
FIG. 9 is a cross-sectional view taken along line 9-9 in FIG. 5 with the internal parts omitted.
The broken lines illustrate portions of the recessed lighting fixture which form no part of the claimed design.

1 Claim, 9 Drawing Sheets



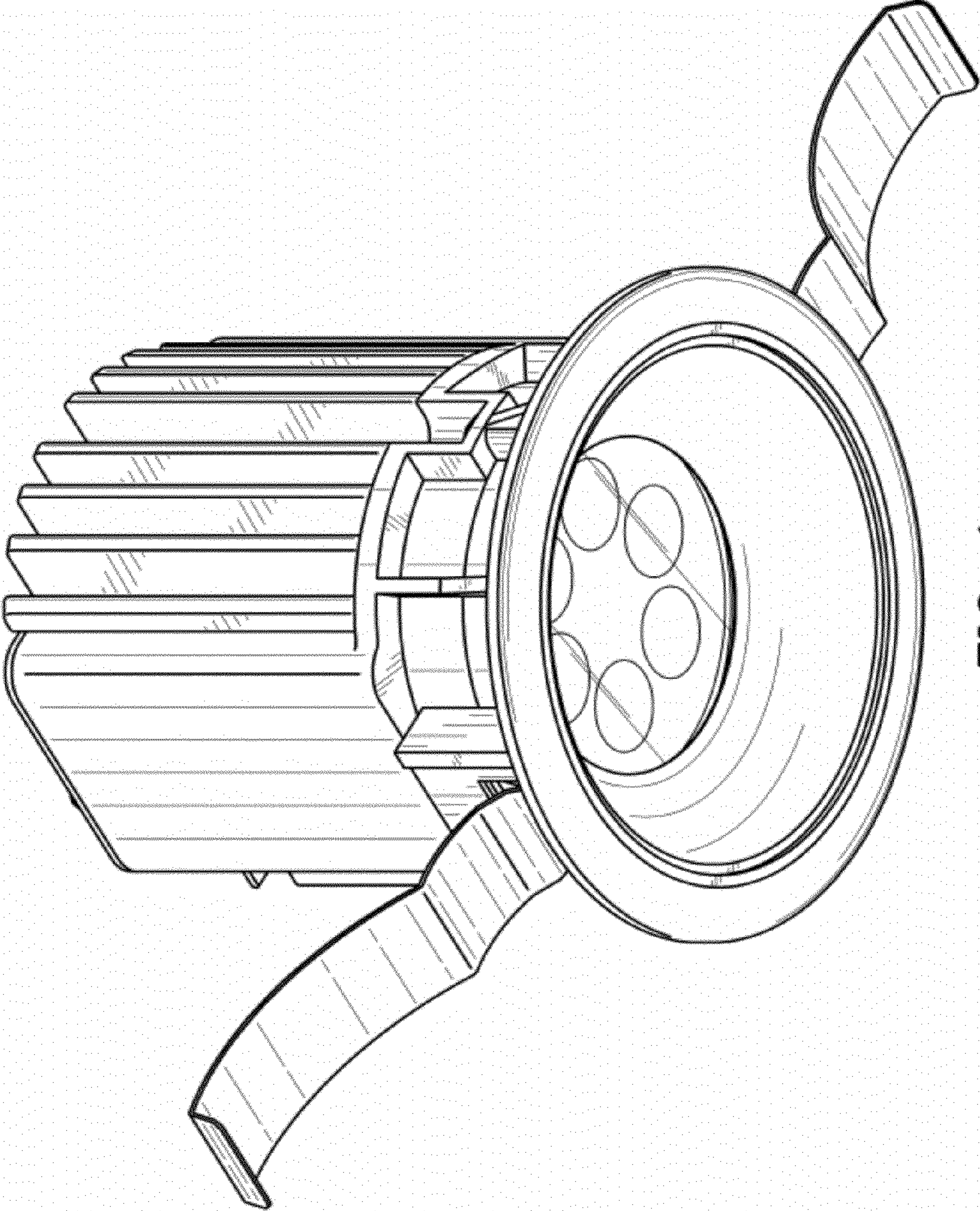


FIG. 1

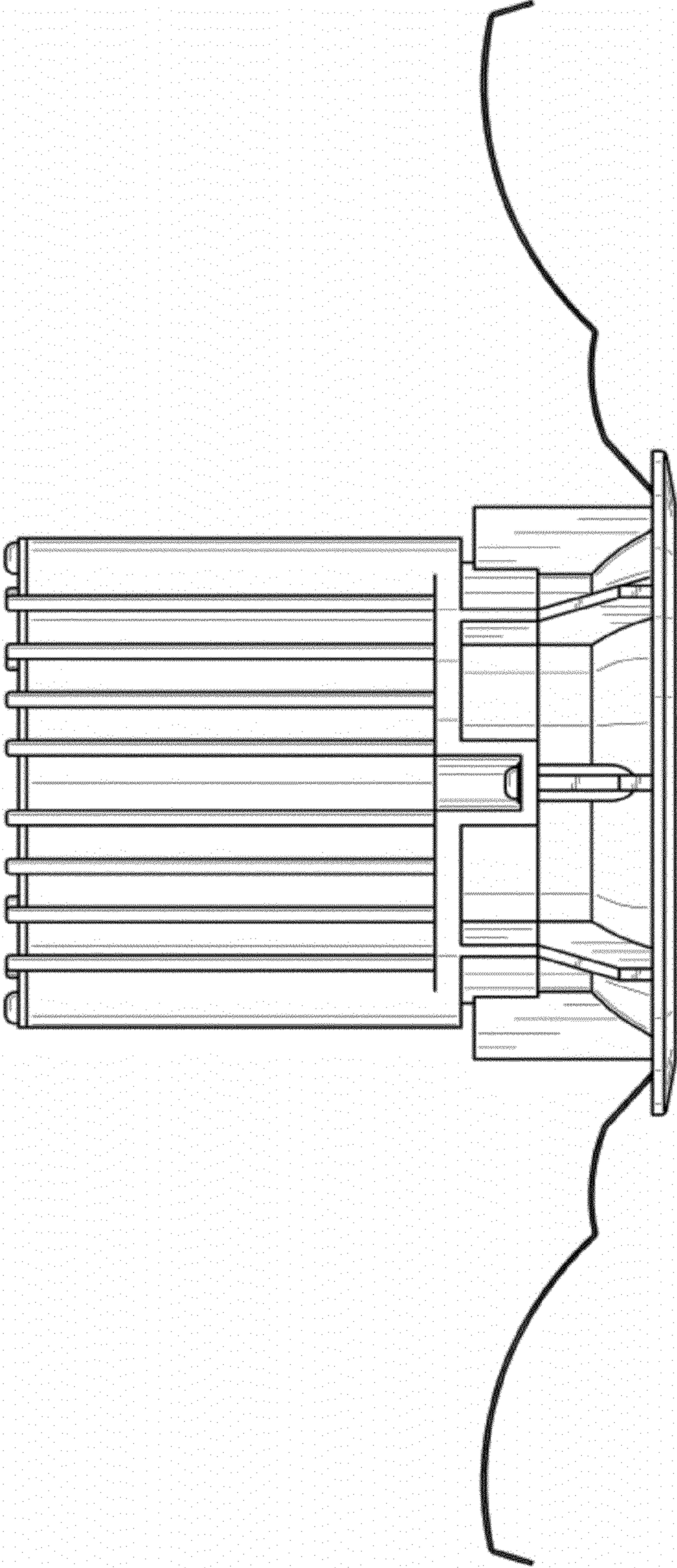


FIG. 2

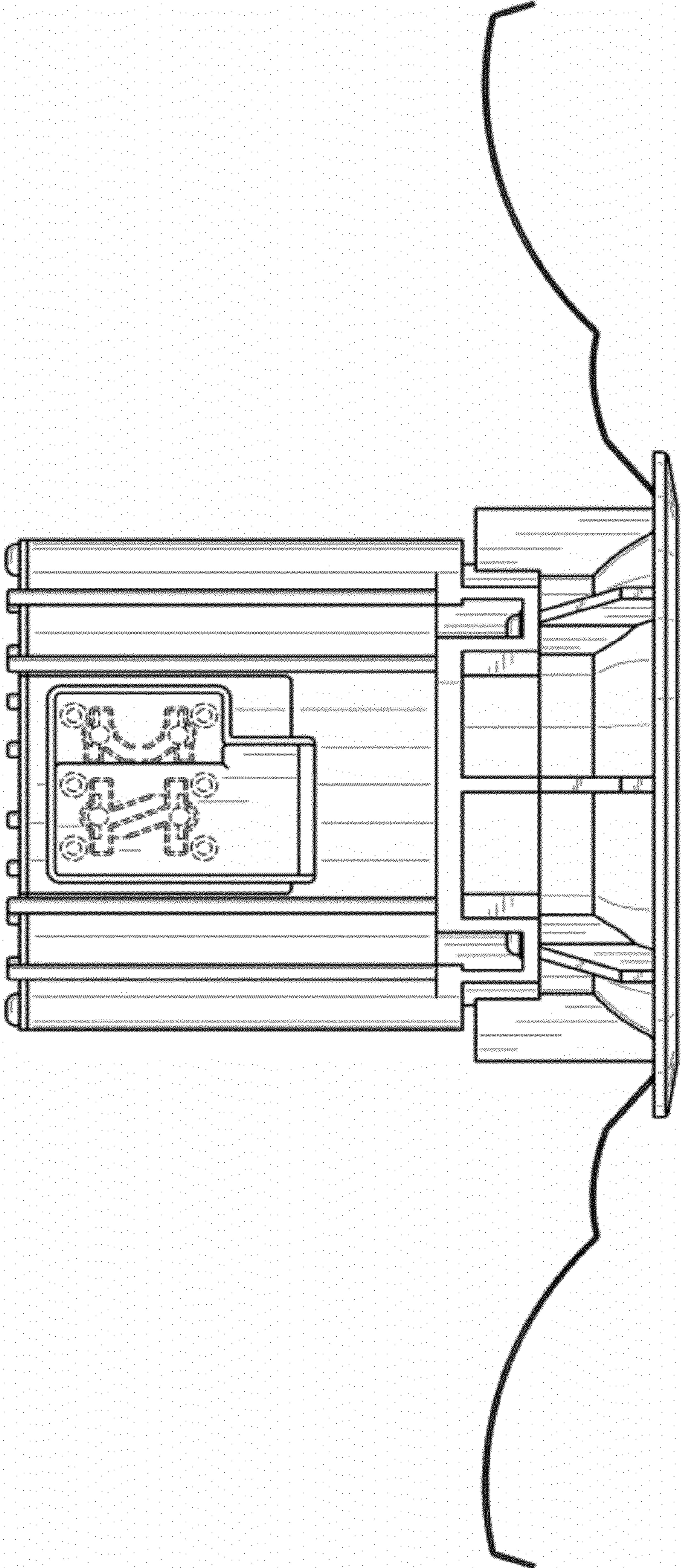


FIG. 3

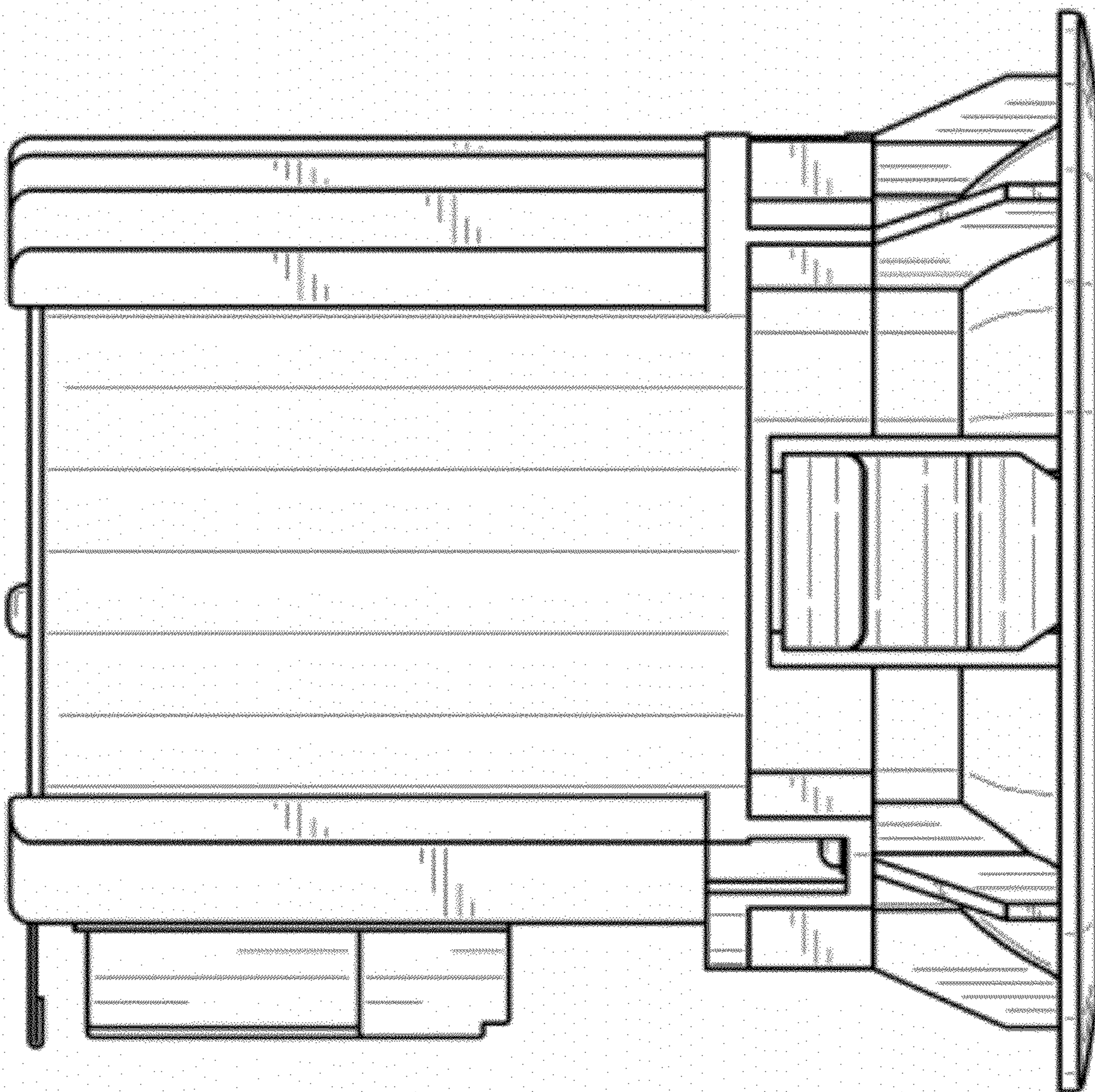


FIG. 4

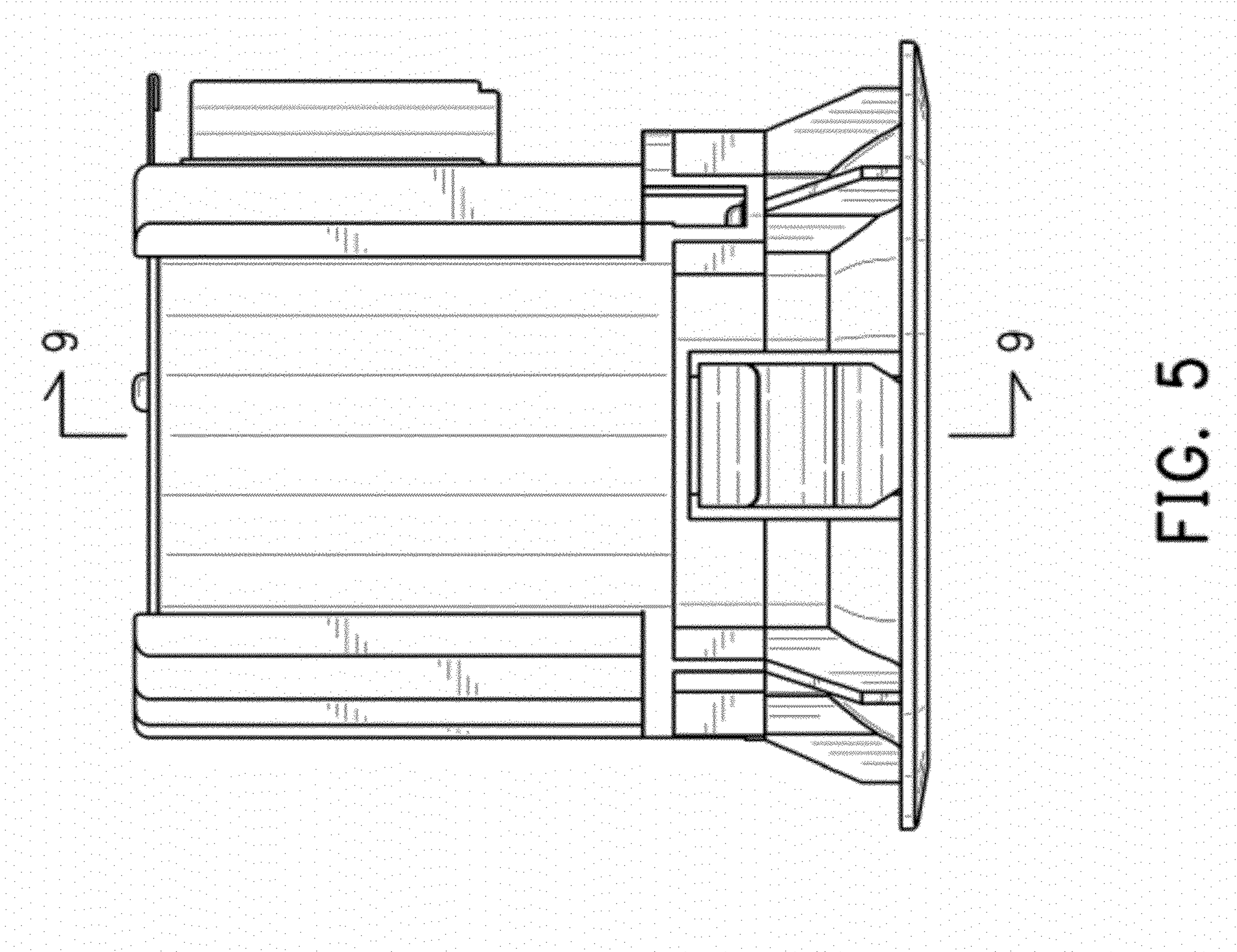


FIG. 5

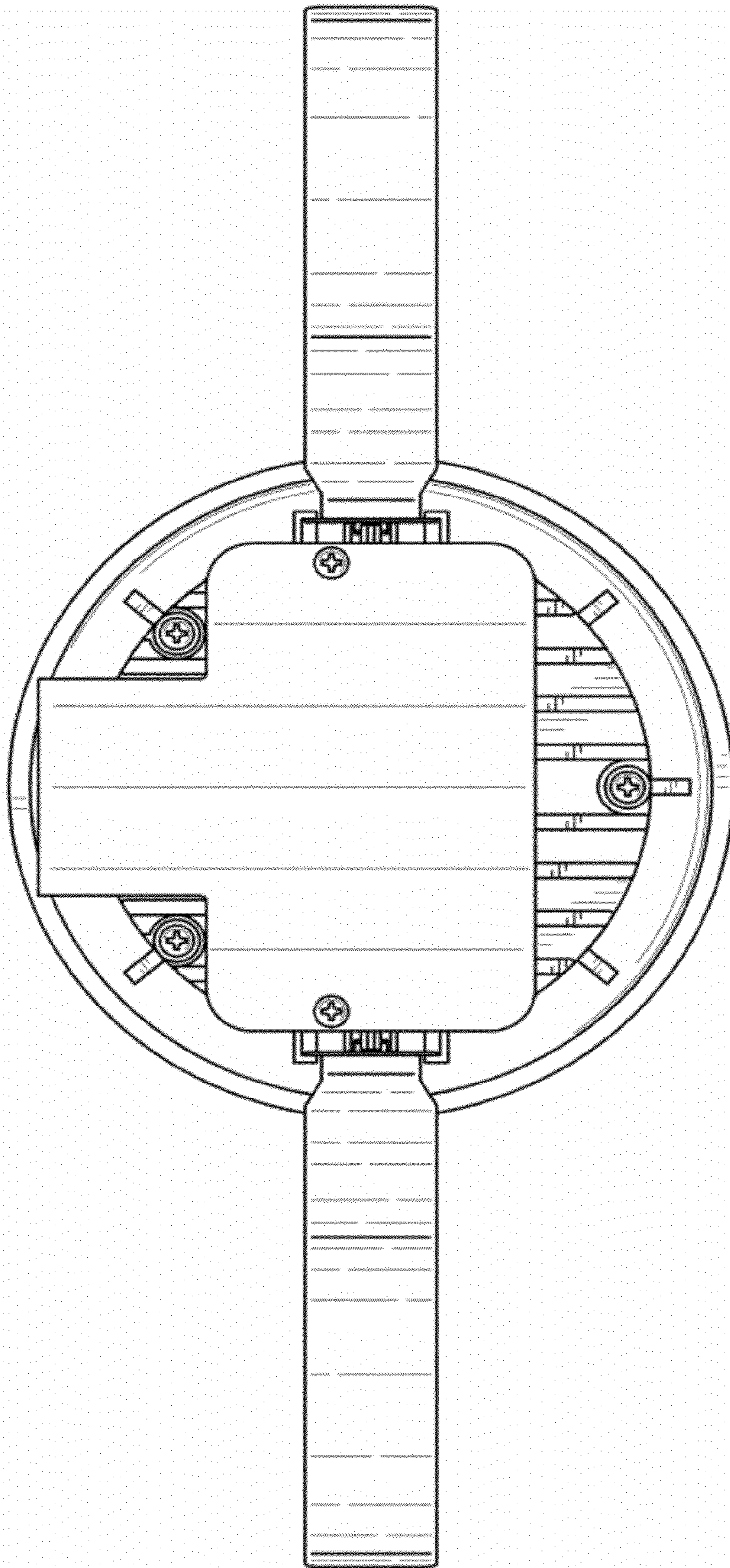


FIG. 6

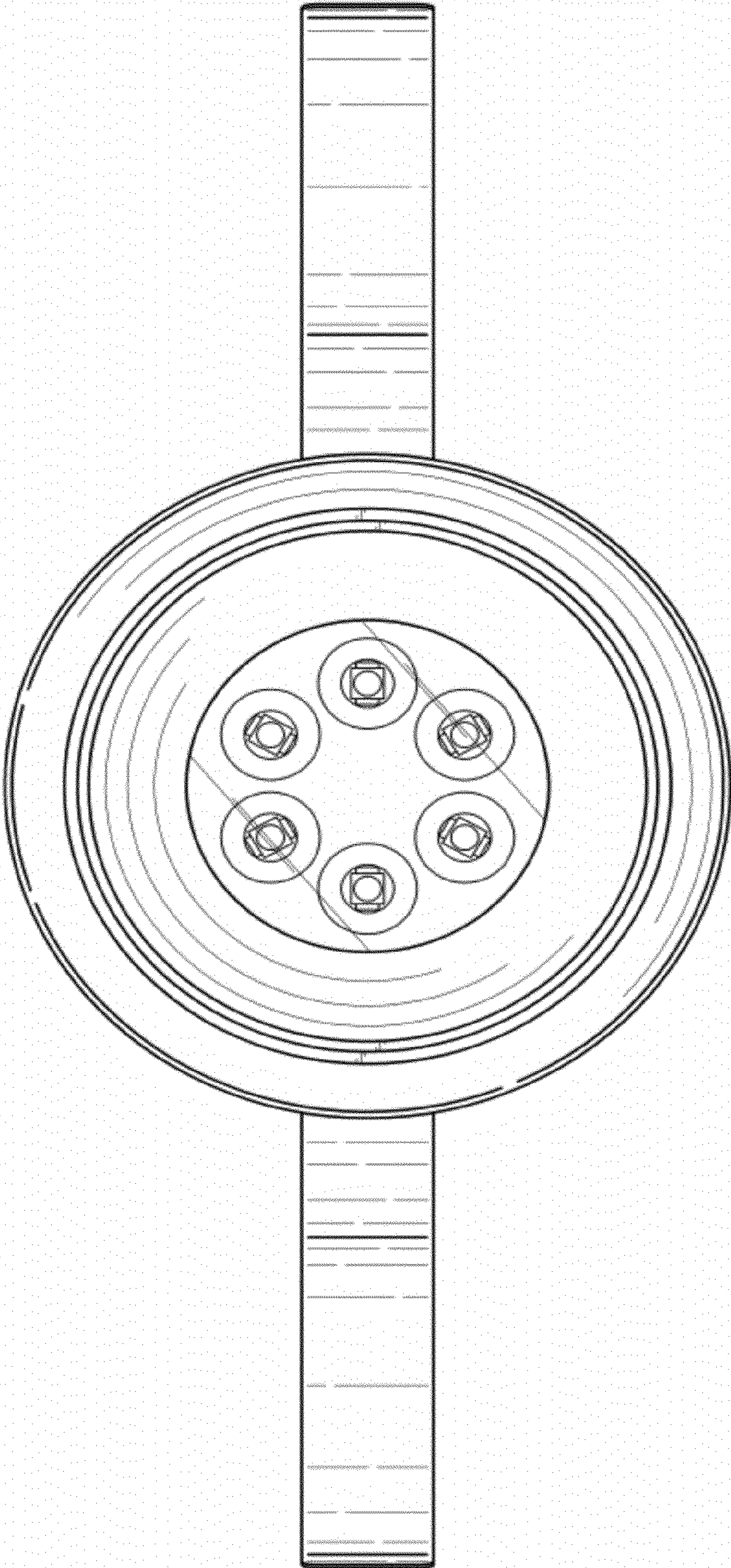


FIG. 7

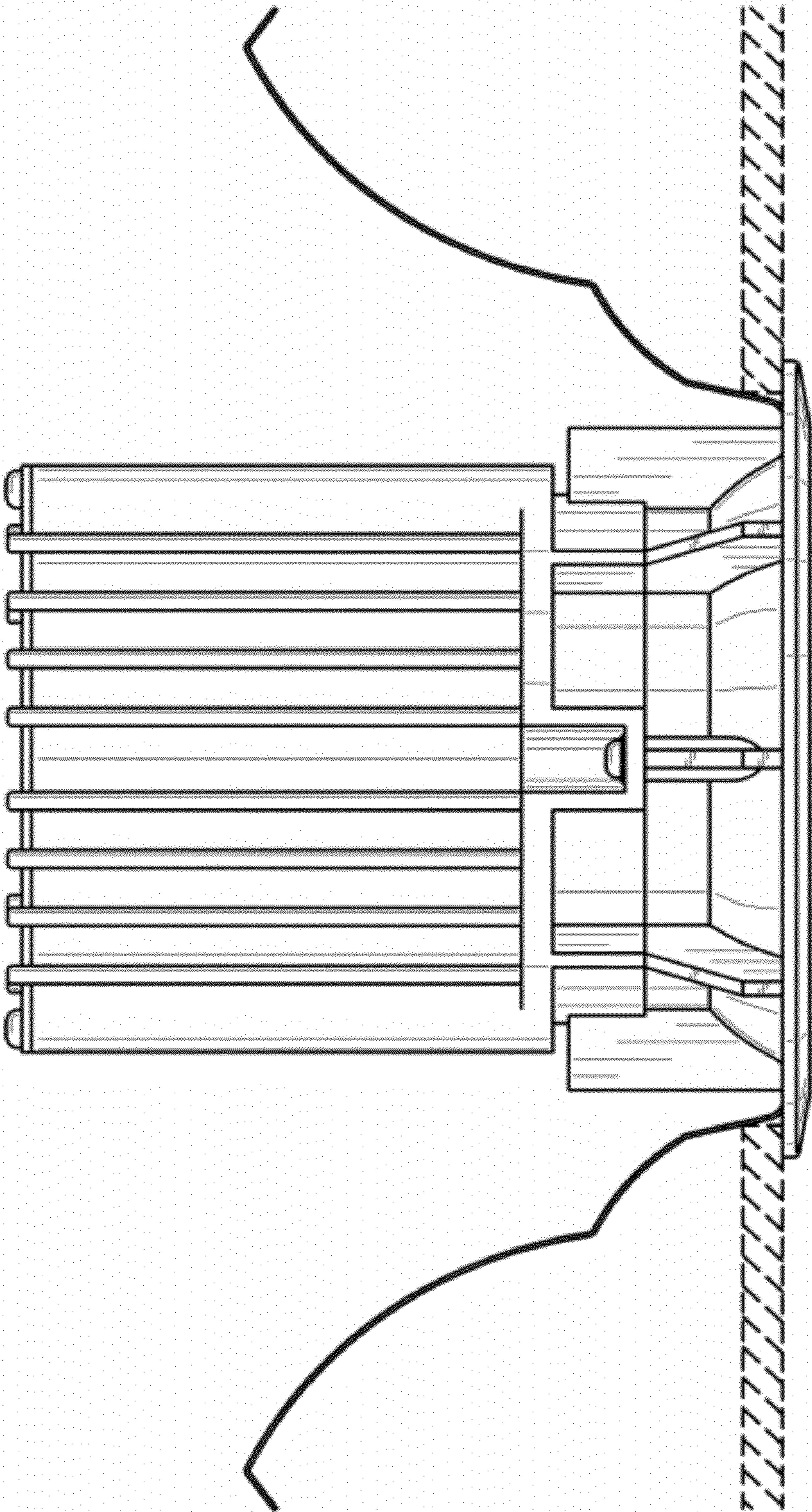


FIG. 8

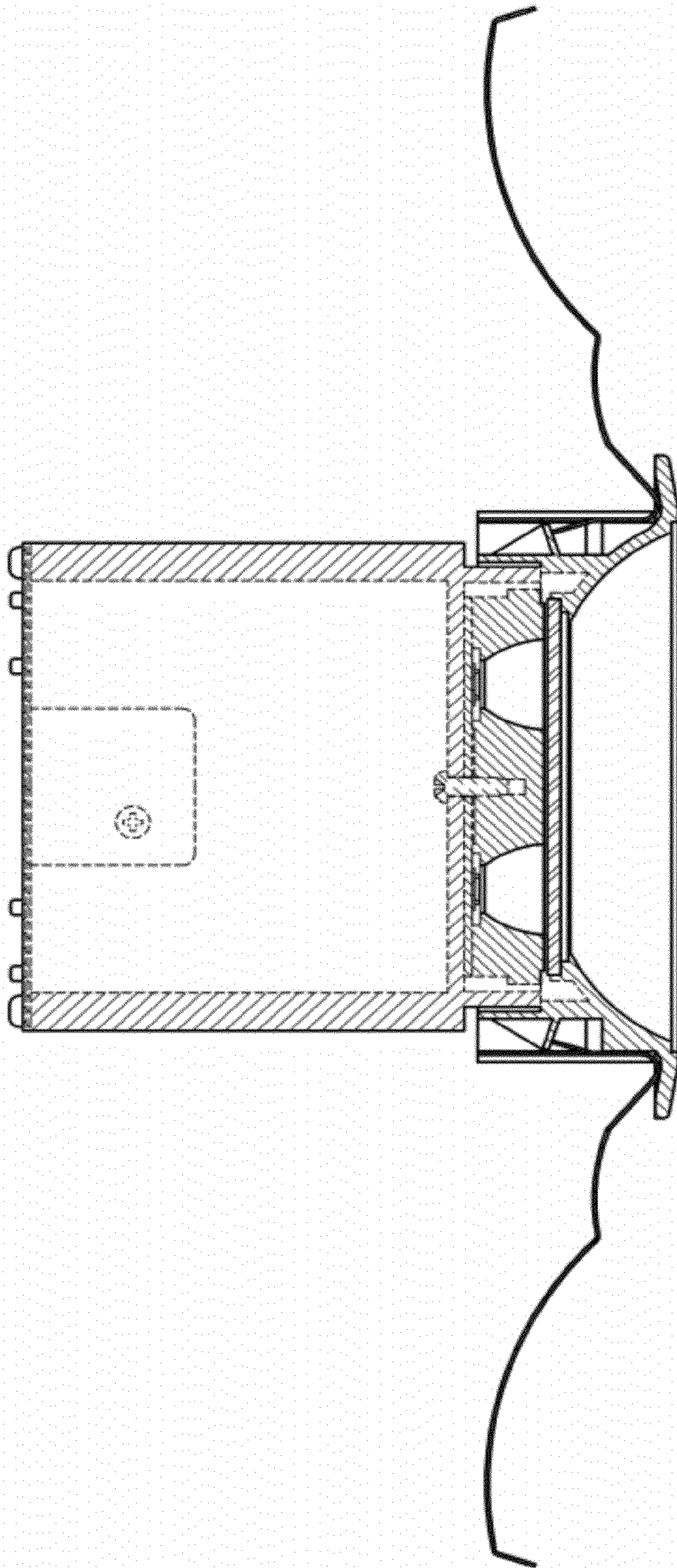


FIG. 9