



US00D656261S

(12) **United States Design Patent**  
**Lee**

(10) **Patent No.:** **US D656,261 S**

(45) **Date of Patent:** **\*\* Mar. 20, 2012**

(54) **FLASHLIGHT**

(76) Inventor: **Wen-Sung Lee**, Taichung (TW)

(\*\*) Term: **14 Years**

(21) Appl. No.: **29/400,768**

(22) Filed: **Sep. 1, 2011**

(51) **LOC (9) Cl.** ..... **26-02**

(52) **U.S. Cl.** ..... **D26/49**

(58) **Field of Classification Search** ..... D26/37,  
D26/39, 46, 49, 38; 362/157, 158, 202-208,  
362/194-196

See application file for complete search history.

(56) **References Cited**

**U.S. PATENT DOCUMENTS**

D521,166 S *	5/2006	Yamamoto et al.	.....	D26/37
D553,776 S *	10/2007	Liu	.....	D26/49
D558,907 S *	1/2008	Liu	.....	D26/49
D577,844 S *	9/2008	Shiu	.....	D26/49
D578,687 S *	10/2008	Hong	.....	D26/37

D601,736 S *	10/2009	Swan	.....	D26/49
D601,737 S *	10/2009	Swan	.....	D26/49
D648,467 S *	11/2011	Nguyen et al.	.....	D26/46

\* cited by examiner

*Primary Examiner* — Ian Simmons

*Assistant Examiner* — Carissa C Fitts

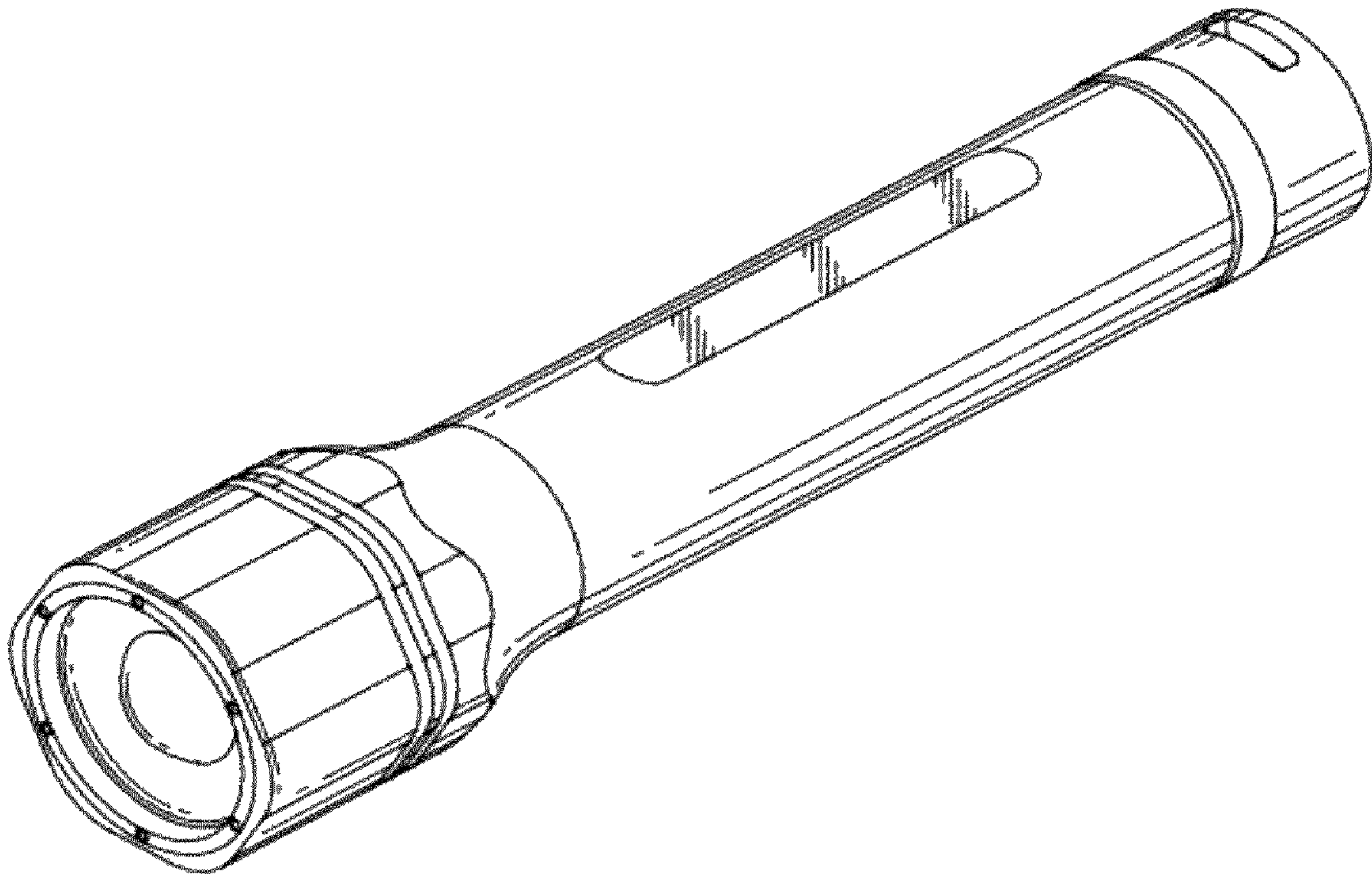
(57) **CLAIM**

The ornamental design for a flashlight, as shown and described.

**DESCRIPTION**

FIG. 1 is a perspective view of a flashlight showing my new design;  
FIG. 2 is a front elevational view thereof;  
FIG. 3 is a rear elevational view thereof;  
FIG. 4 is a left side view thereof;  
FIG. 5 is a right side view thereof;  
FIG. 6 is a top plan view thereof;  
FIG. 7 is a bottom plan view thereof; and,  
FIG. 8 is another perspective view thereof.

**1 Claim, 6 Drawing Sheets**



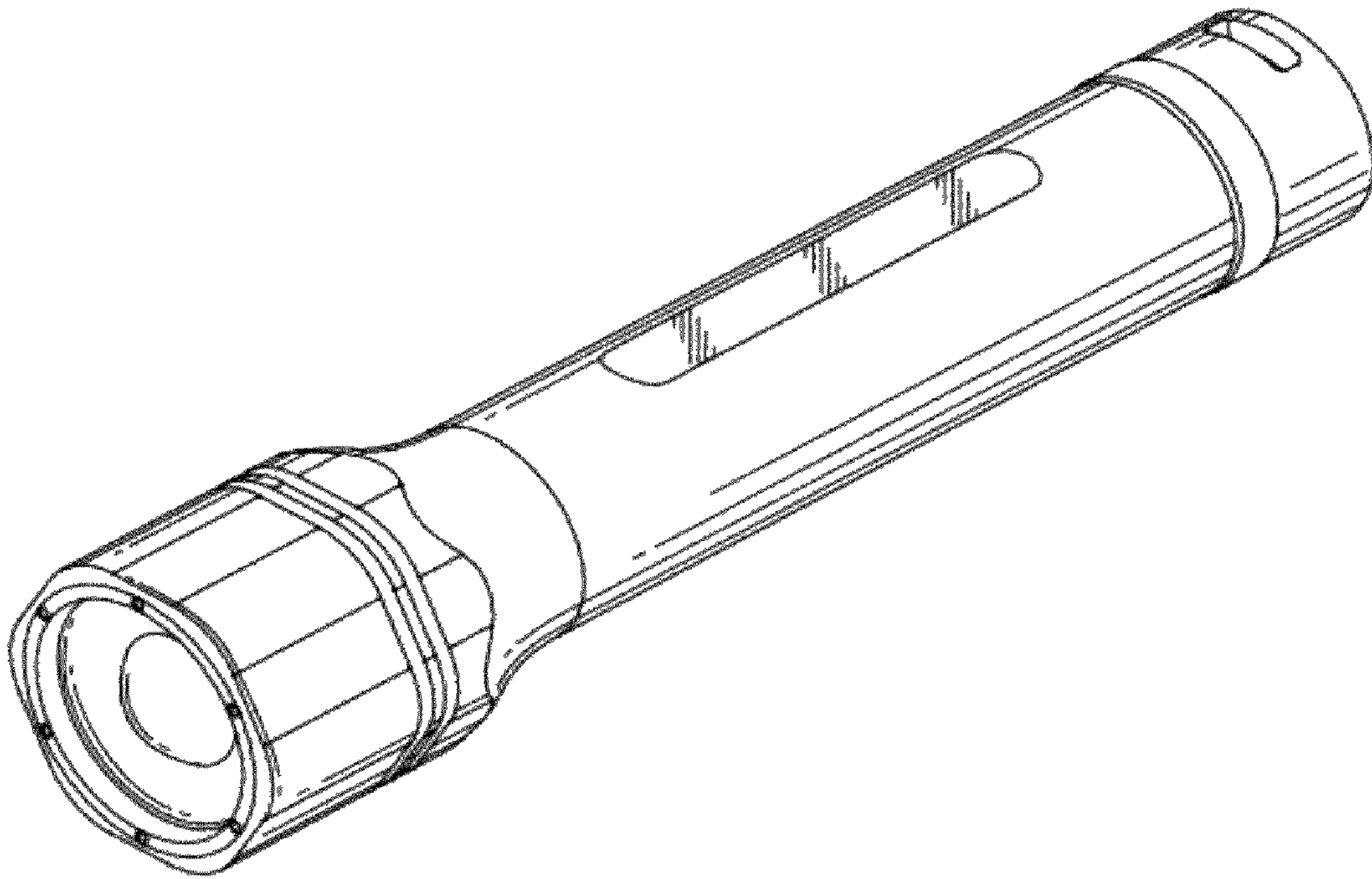


FIG. 1

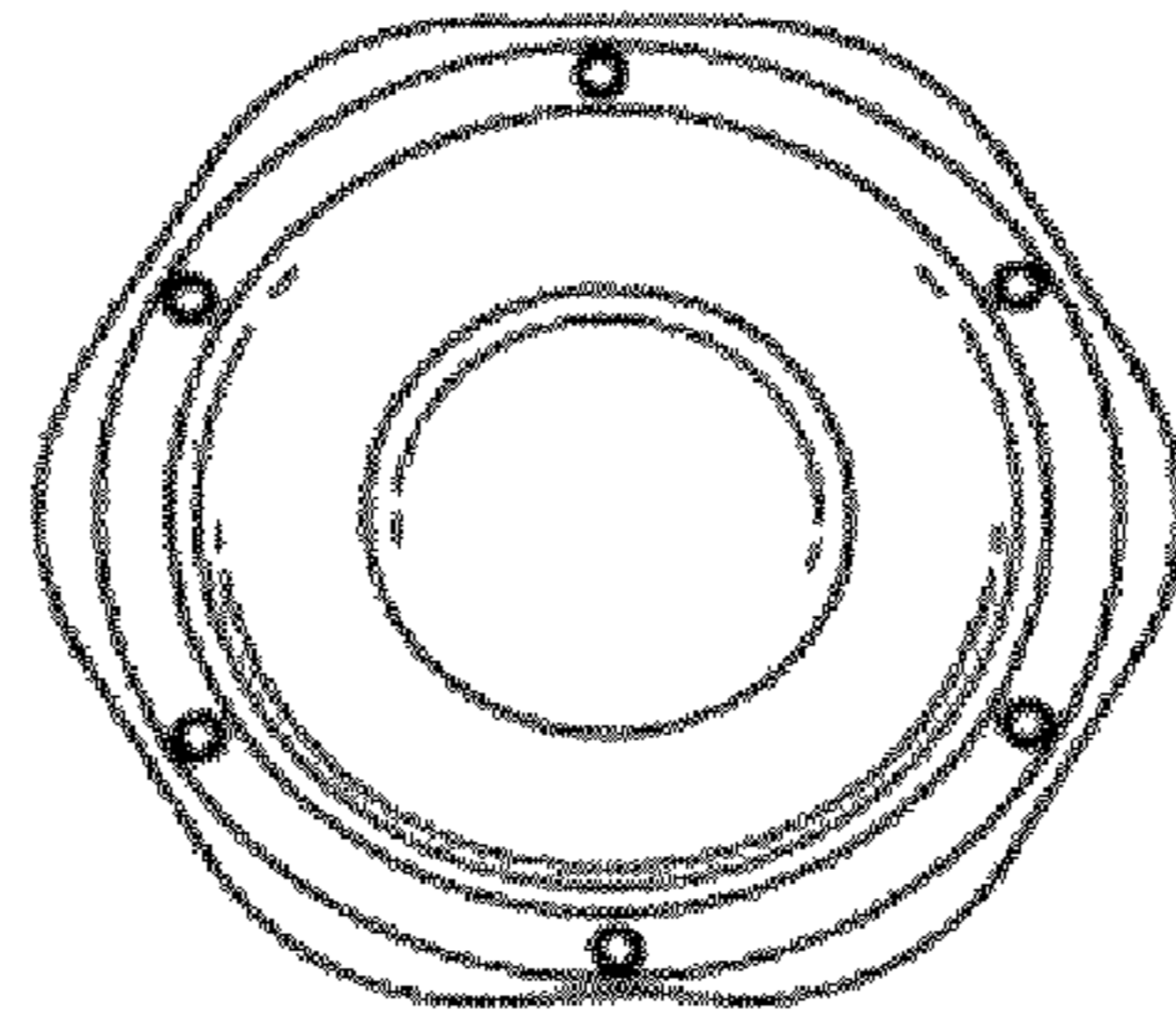


FIG. 2

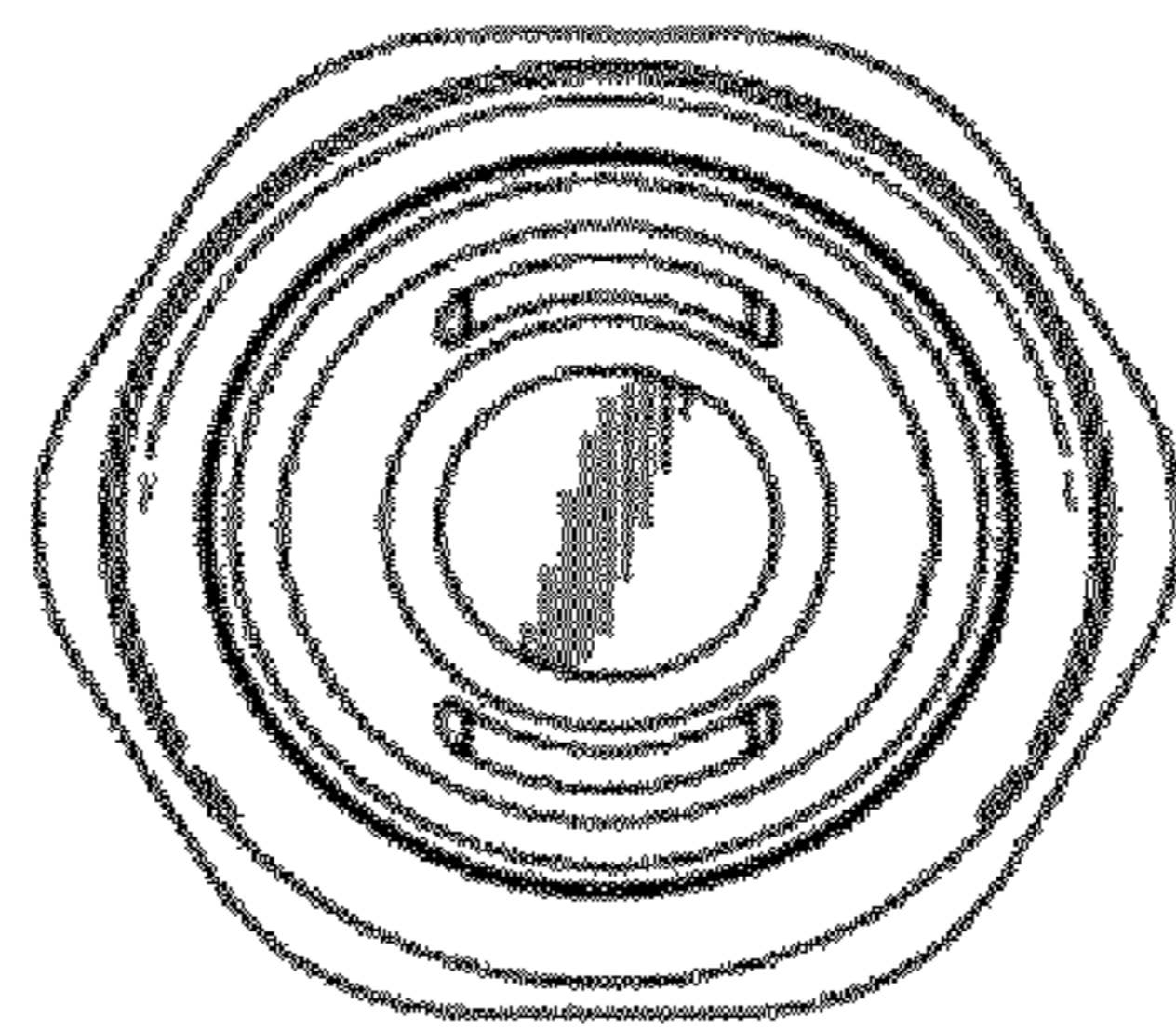


FIG. 3

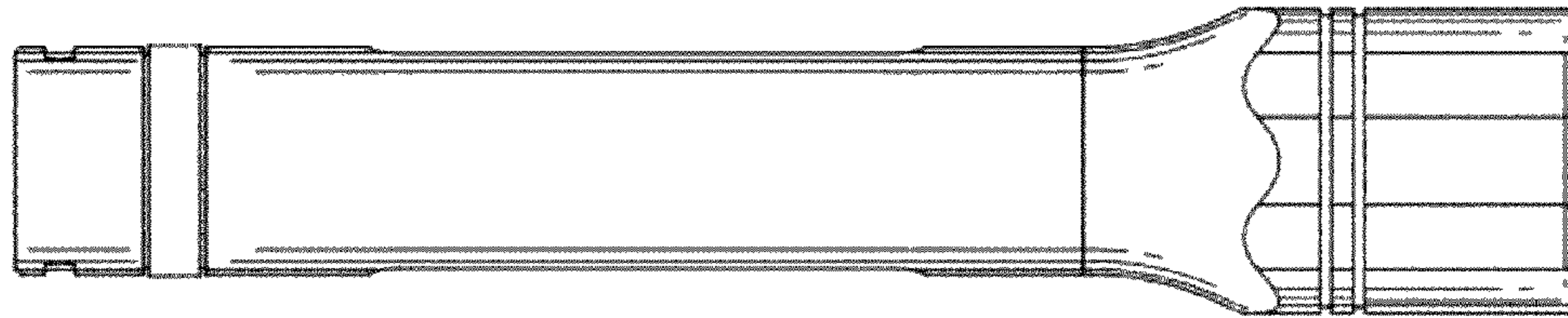


FIG. 4

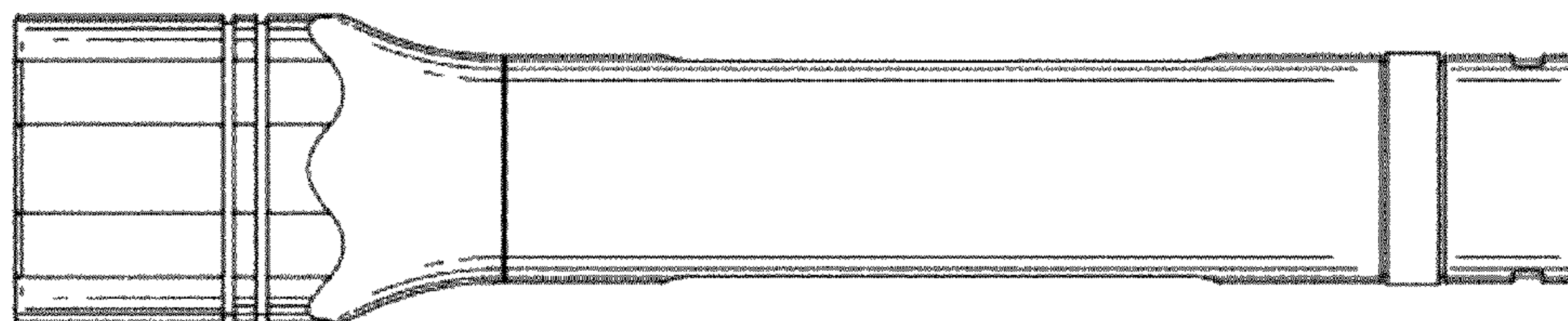


FIG. 5

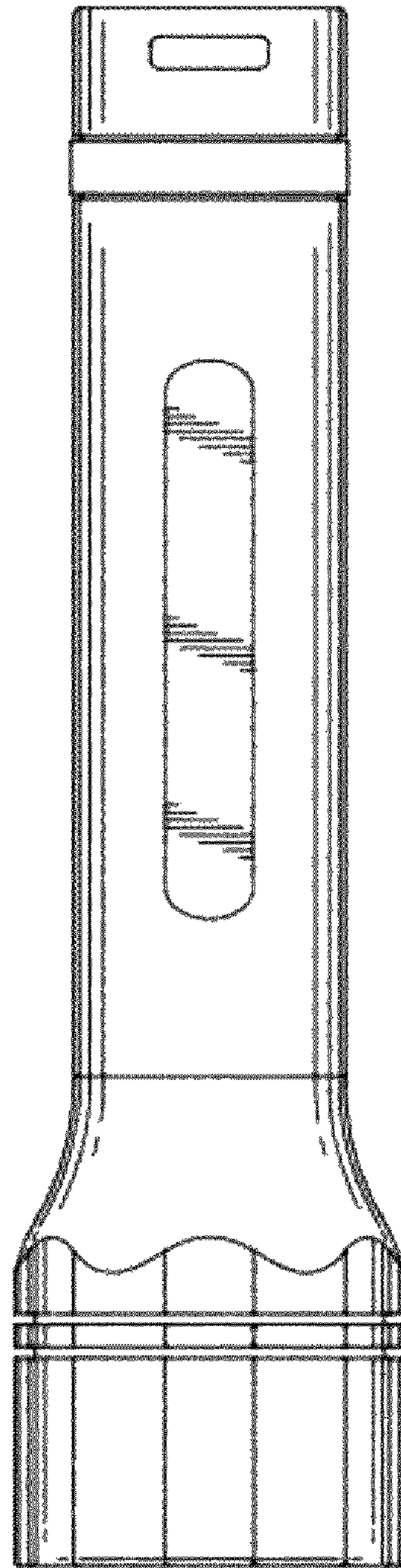


FIG. 6

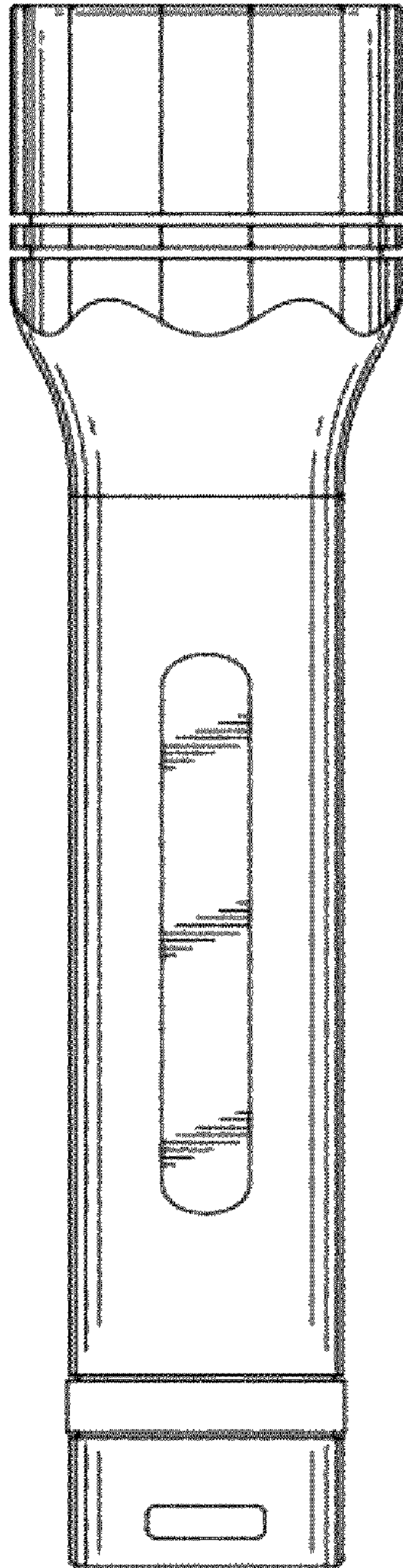


FIG. 7

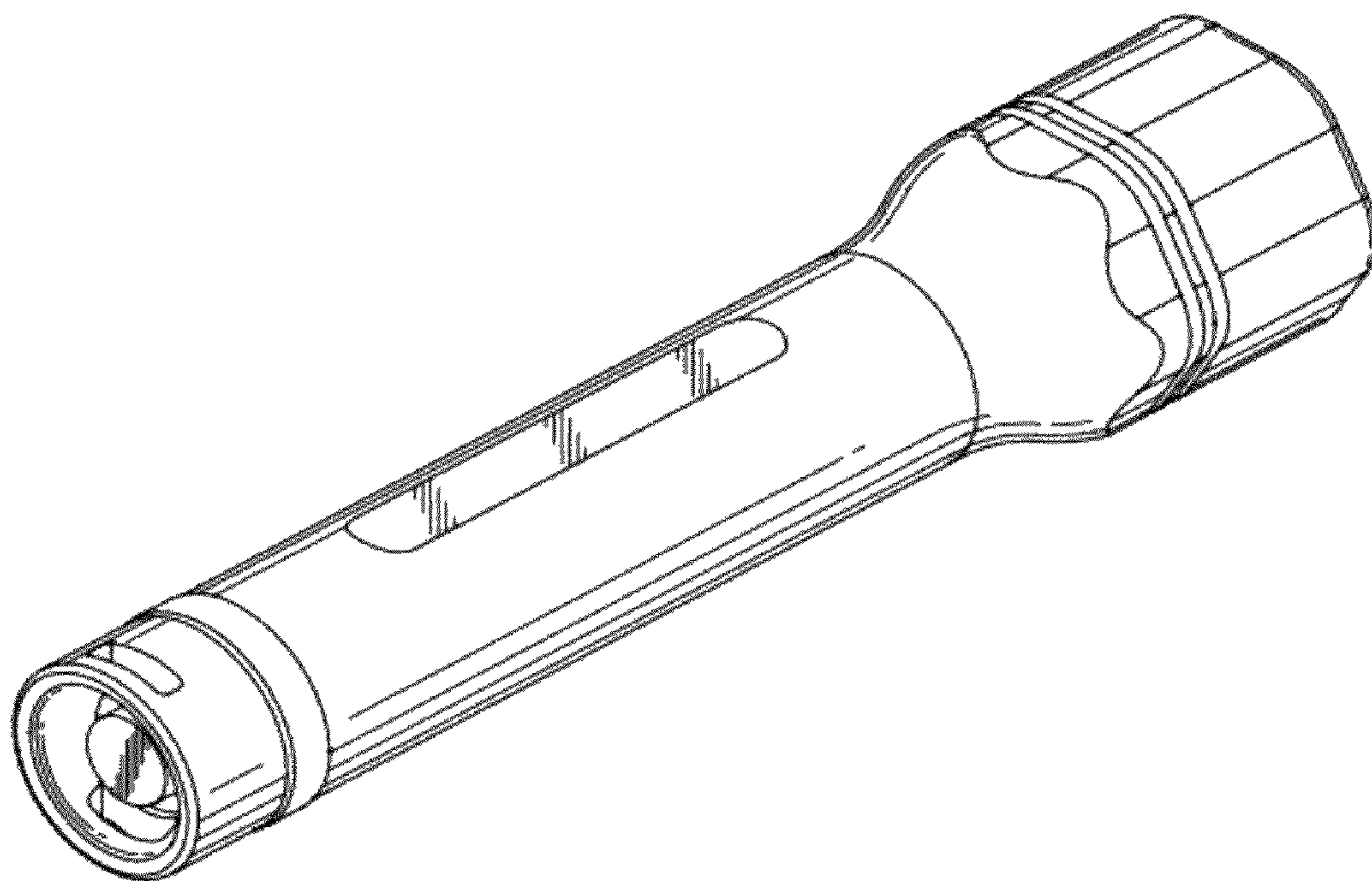


FIG. 8