



US00D656260S

(12) **United States Design Patent**
Kung

(10) **Patent No.:** **US D656,260 S**
(45) **Date of Patent:** **** Mar. 20, 2012**

(54) **LAMP UNIT**

(75) Inventor: **Kenneth Kung**, Columbus, OH (US)

(73) Assignee: **Dorcy International Inc.** OH (US)

(**) Term: **14 Years**

(21) Appl. No.: **29/400,612**

(22) Filed: **Aug. 31, 2011**

(51) **LOC (9) Cl.** **26-02**

(52) **U.S. Cl.** **D26/49**

(58) **Field of Classification Search** D26/37,
D26/38, 39, 40, 45, 46, 49; 362/157, 158,
362/183, 184, 190, 194-196, 202-208

See application file for complete search history.

(56) **References Cited**

U.S. PATENT DOCUMENTS

D577,843	S	*	9/2008	Couture et al.	D26/49
D586,488	S	*	2/2009	Kung	D26/49
D595,439	S	*	6/2009	Haight et al.	D26/49
D599,928	S	*	9/2009	Shiu	D26/49

D623,323	S	*	9/2010	Kung	D26/45
D629,541	S	*	12/2010	Riley	D26/49
D646,008	S	*	9/2011	Couture	D26/49
D648,467	S	*	11/2011	Nguyen et al.	D26/46

* cited by examiner

Primary Examiner — Ian Simmons

Assistant Examiner — Carissa C Fitts

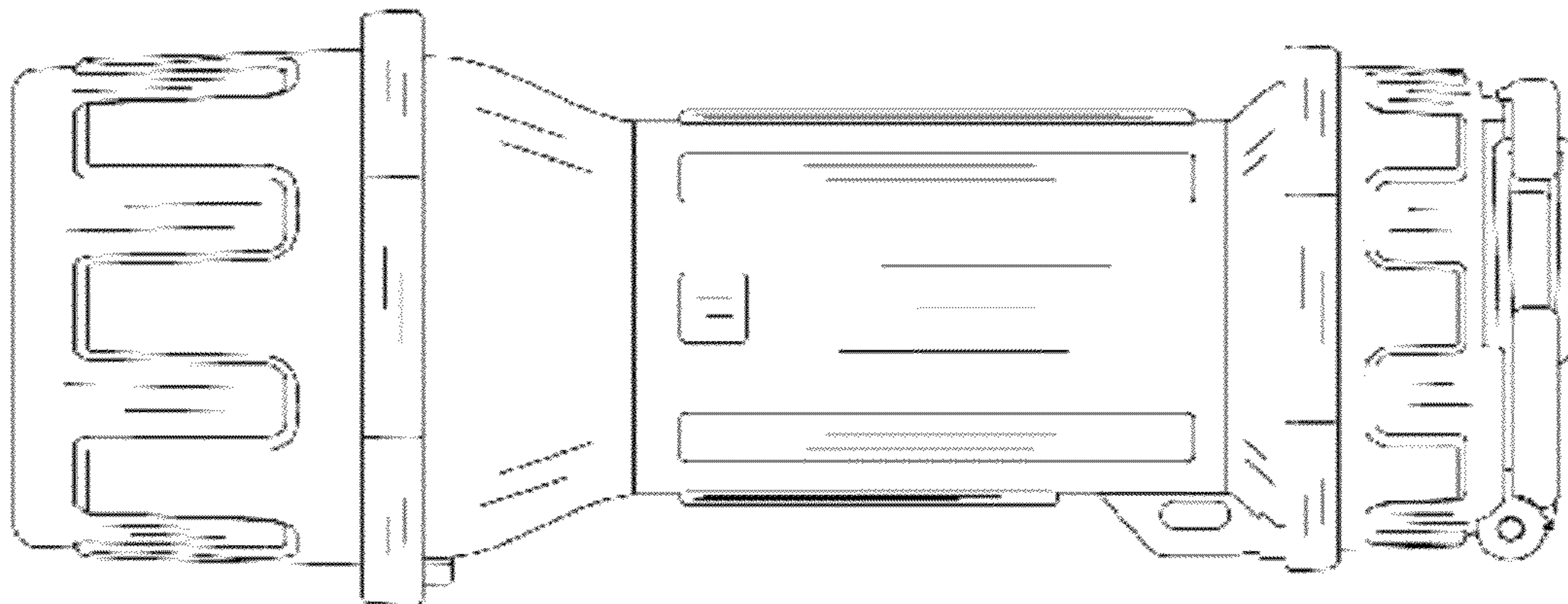
(57) **CLAIM**

The ornamental design for a lamp unit, as shown and described.

DESCRIPTION

FIG. 1 is a front elevational view of a lamp unit showing my new design;
FIG. 2 is a rear elevational view thereof;
FIG. 3 is a left side view thereof;
FIG. 4 is a right side view thereof;
FIG. 5 is a top plan view thereof; and,
FIG. 6 is a bottom plan view thereof.
The dotted lines shown in FIG. 3 and FIG. 4 form no part of the claimed design.

1 Claim, 3 Drawing Sheets



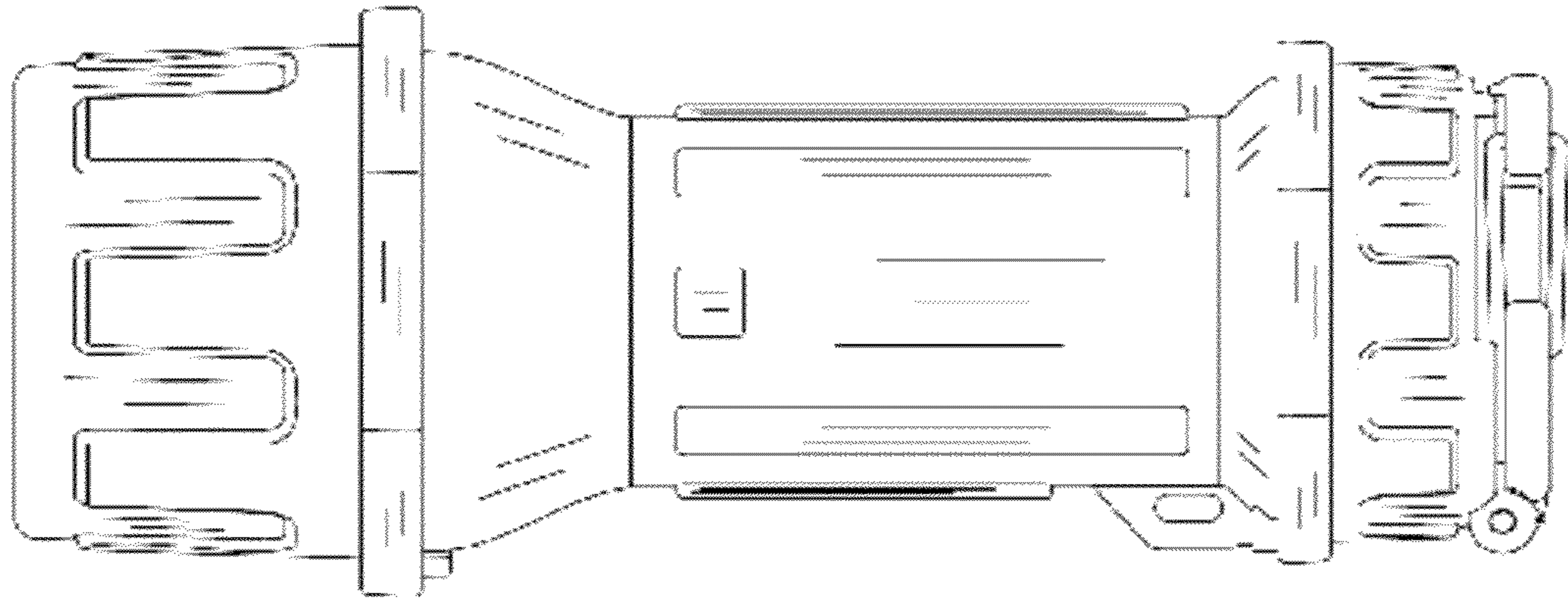


FIG. 1

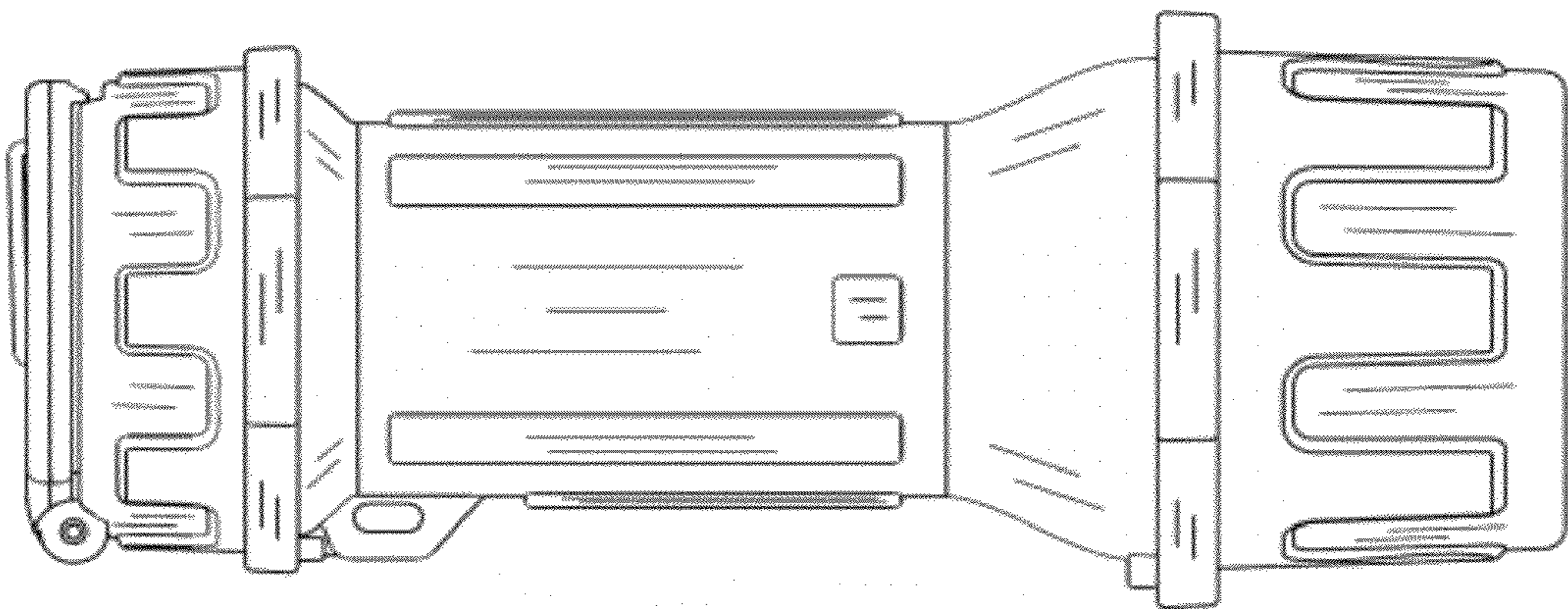


FIG. 2

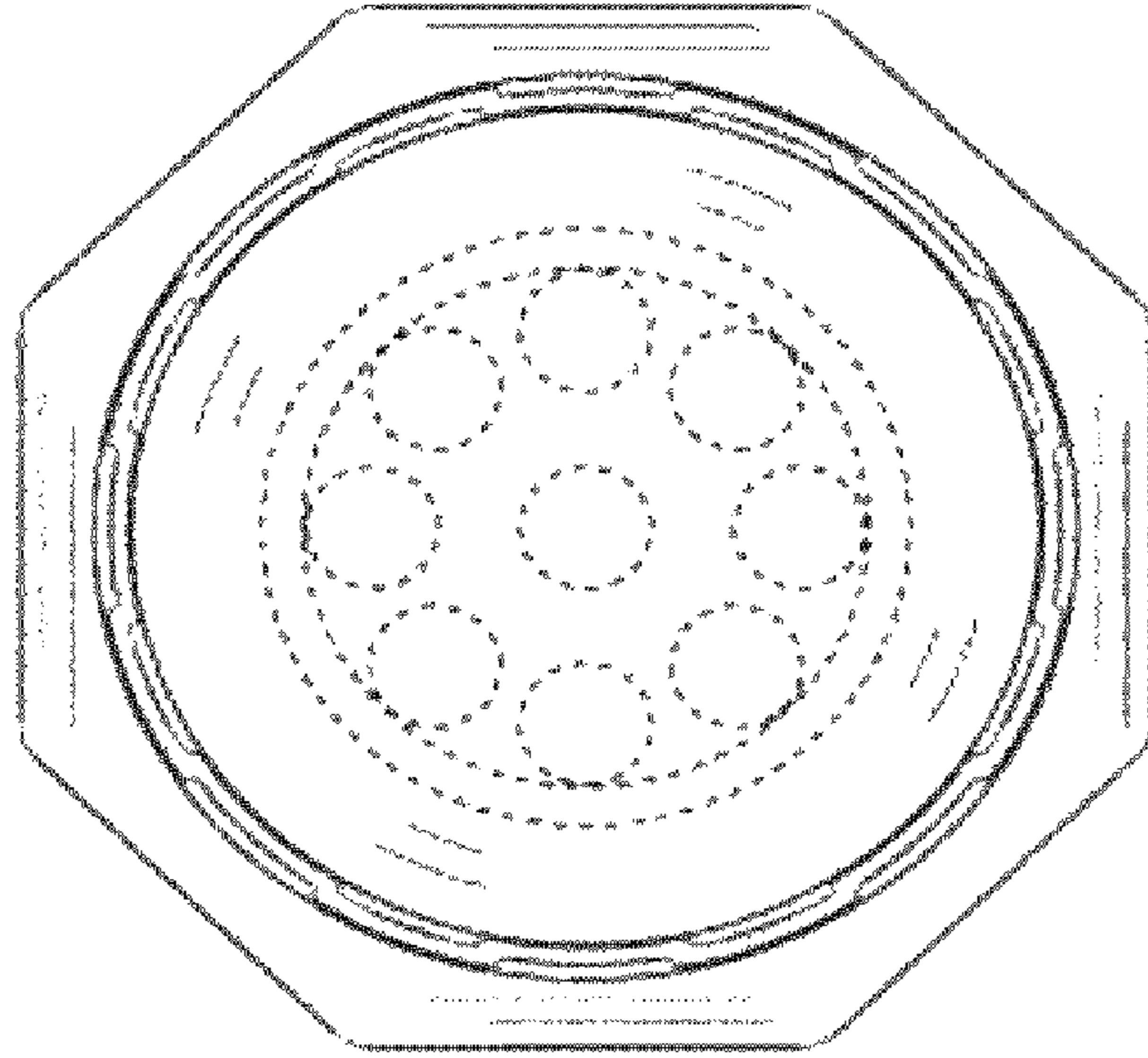


FIG. 3

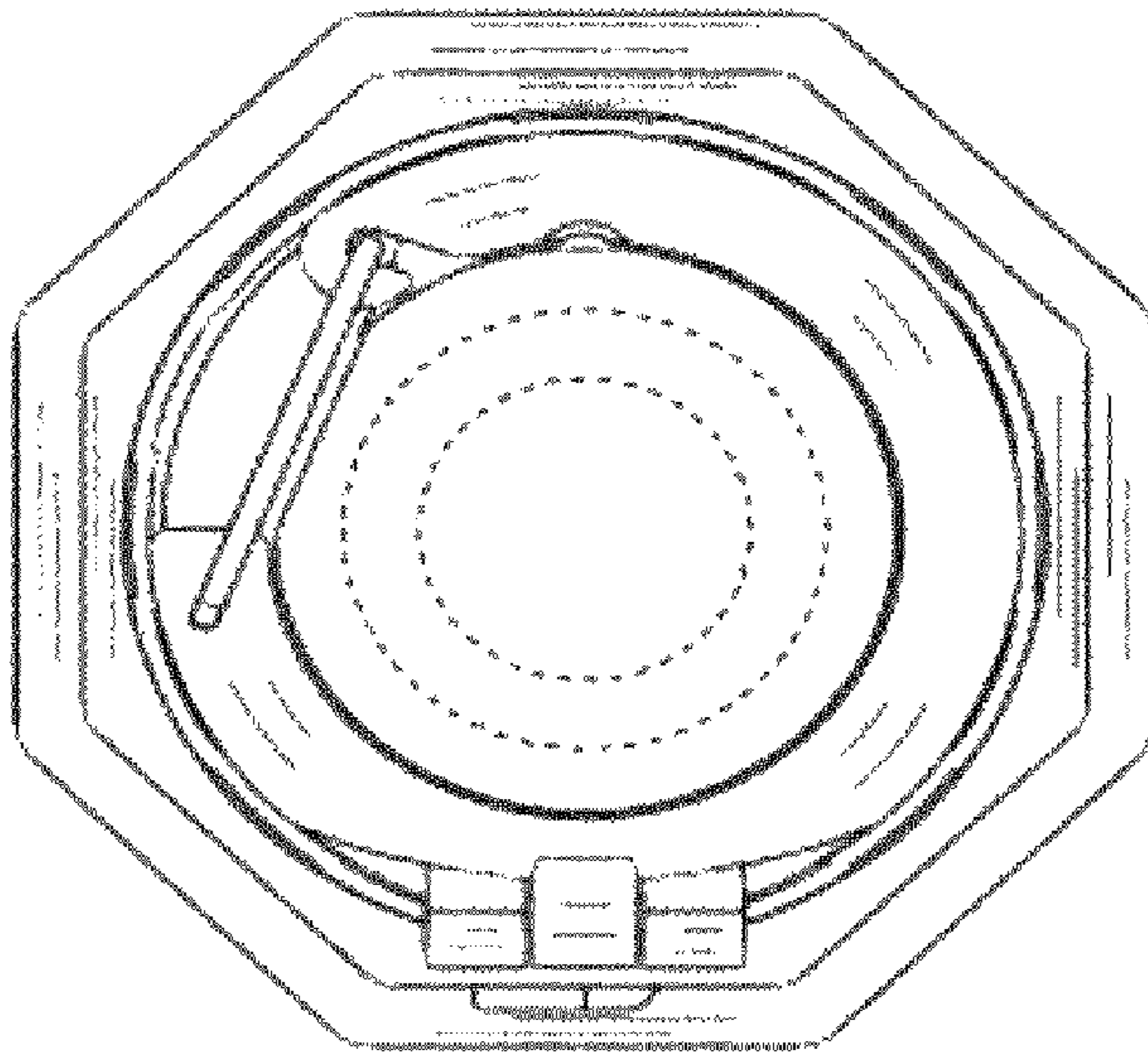


FIG. 4

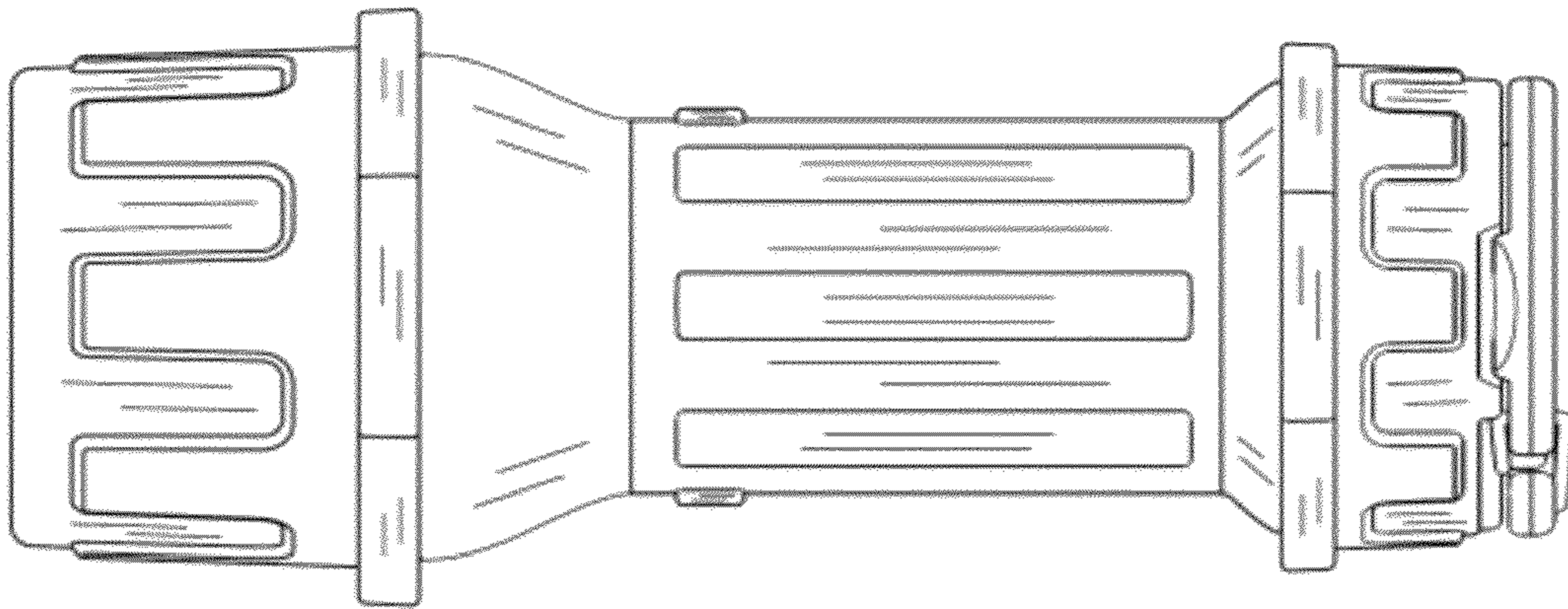


FIG. 5

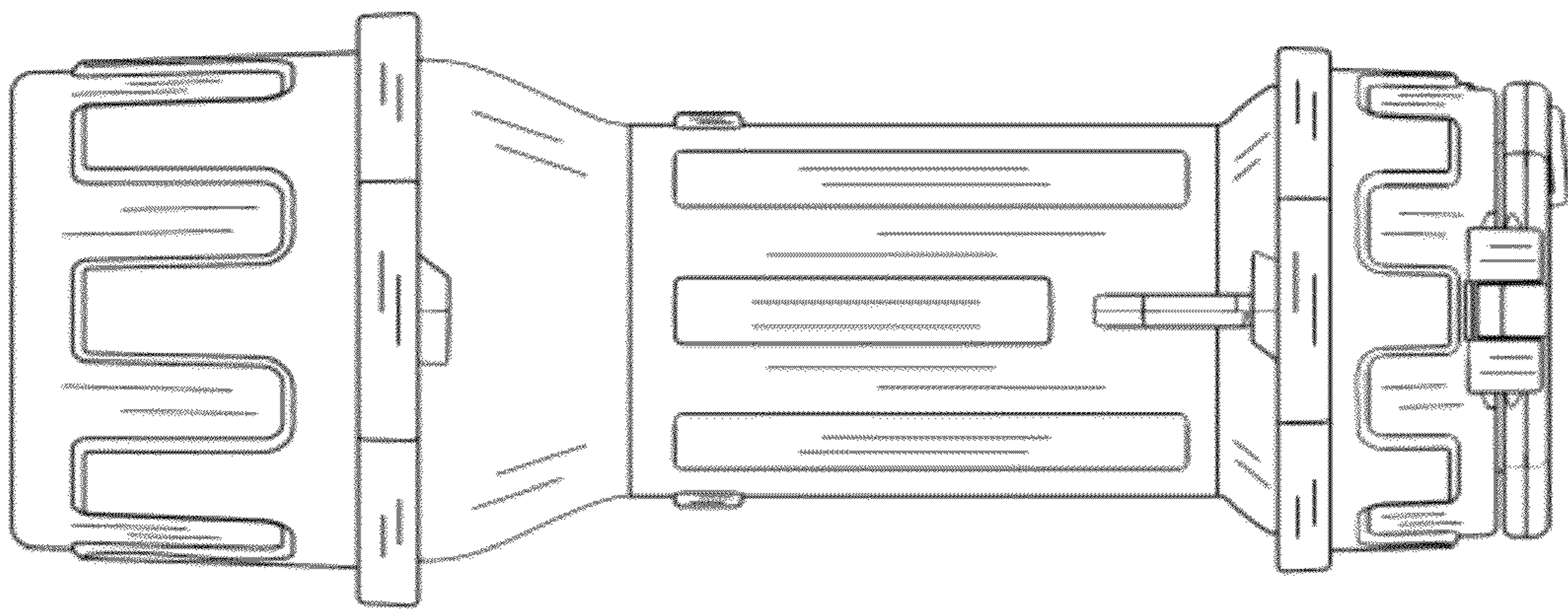


FIG. 6