



US00D656259S

(12) **United States Design Patent**  
**Ku**

(10) **Patent No.:** **US D656,259 S**

(45) **Date of Patent:** **\*\* Mar. 20, 2012**

(54) **LED STICK LIGHT**

(75) Inventor: **Cheuk Man Ku**, Tsuen Wan (HK)

(73) Assignee: **Well Trend Technology Development Ltd.** (CN)

(\*\*) Term: **14 Years**

(21) Appl. No.: **29/387,437**

(22) Filed: **Mar. 14, 2011**

(30) **Foreign Application Priority Data**

Dec. 21, 2010 (CN) ..... 2010 3 0701881

(51) **LOC (9) Cl.** ..... **26-02**

(52) **U.S. Cl.** ..... **D26/37**

(58) **Field of Classification Search** ..... D26/40,  
D26/41, 37, 38, 42, 46, 50; 362/103, 157,  
362/158, 184, 186, 171-174, 196-208  
See application file for complete search history.

(56) **References Cited**

**U.S. PATENT DOCUMENTS**

D330,393	S	*	10/1992	Grant et al.	.....	D21/304
D432,689	S	*	10/2000	Yuen	.....	D26/38
D485,925	S	*	1/2004	Oas	.....	D26/38
D495,076	S	*	8/2004	Mandel	.....	D26/37
D496,480	S	*	9/2004	Slattery et al.	.....	D26/38
D504,531	S	*	4/2005	Bhavnani	.....	D26/38
D518,906	S	*	4/2006	Stoddard et al.	.....	D26/37
D531,334	S	*	10/2006	Lin	.....	D26/37

D537,181	S	*	2/2007	Chen et al.	.....	D26/37
D612,964	S	*	3/2010	Zhang et al.	.....	D26/38
D642,301	S	*	7/2011	Rothman	.....	D26/26

\* cited by examiner

*Primary Examiner* — Ian Simmons

*Assistant Examiner* — Carissa C Fitts

(74) *Attorney, Agent, or Firm* — Amster Rothstein & Ebenstein LLP

(57) **CLAIM**

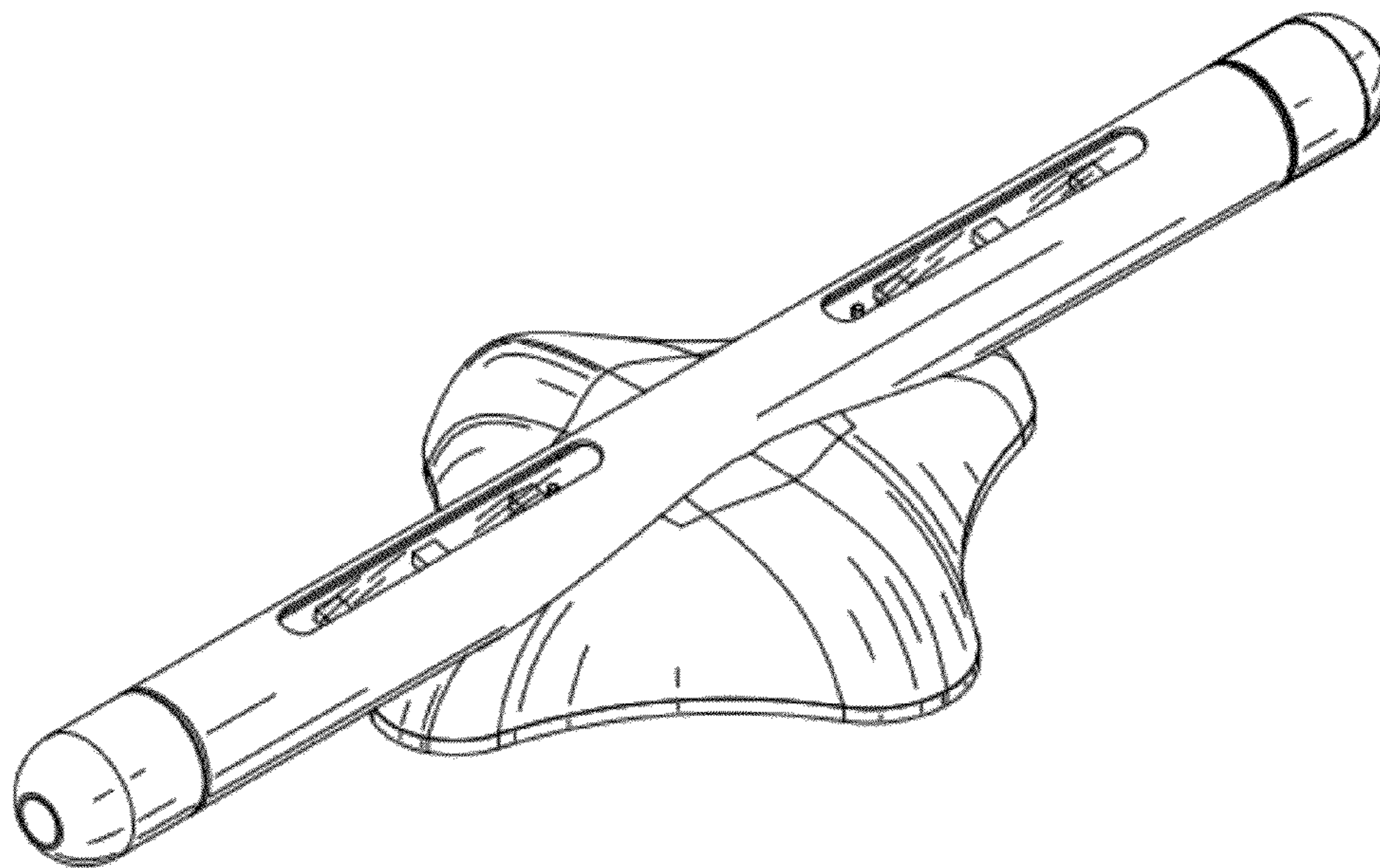
The ornamental design for an LED stick light, as shown and described.

**DESCRIPTION**

FIG. 1 is a perspective view of the LED stick light; FIG. 2 is a front view of the LED stick light; the rear side is symmetric with respect to the front view; FIG. 3 is a right side view of the LED stick light; FIG. 4 is a left side view of the LED stick light; FIG. 5 is a top view of the LED stick light; FIG. 6 is a bottom view of the LED stick light; FIG. 7 is a view showing a state of the first variation; FIG. 8 is a view showing a state of the second variation; FIG. 9 is a view showing a state of the third variation; and, FIG. 10 is an exploded perspective view of the LED stick light.

The broken line showing is for environmental purposes only and forms no part of the claimed design.

**1 Claim, 10 Drawing Sheets**



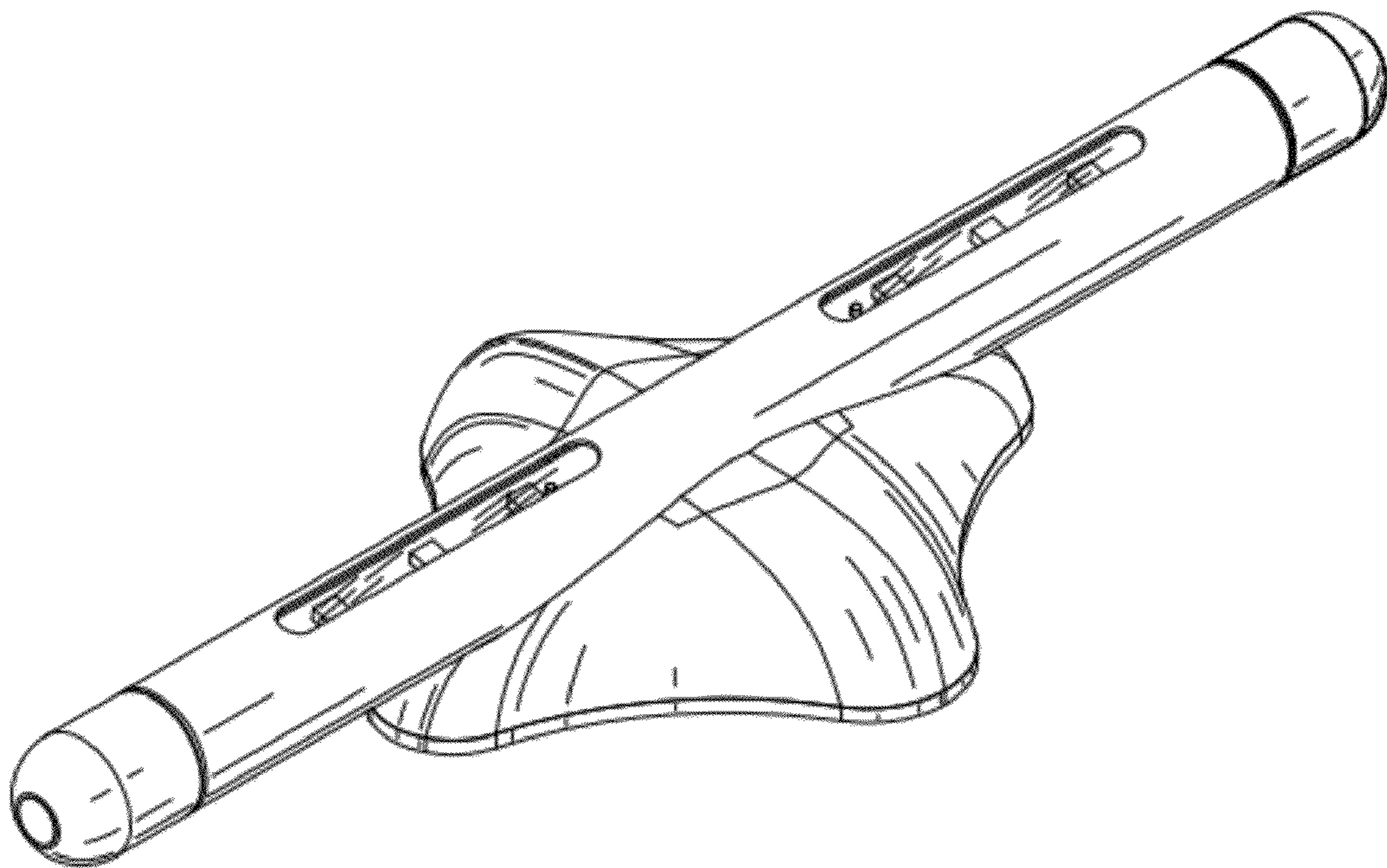


FIG.1

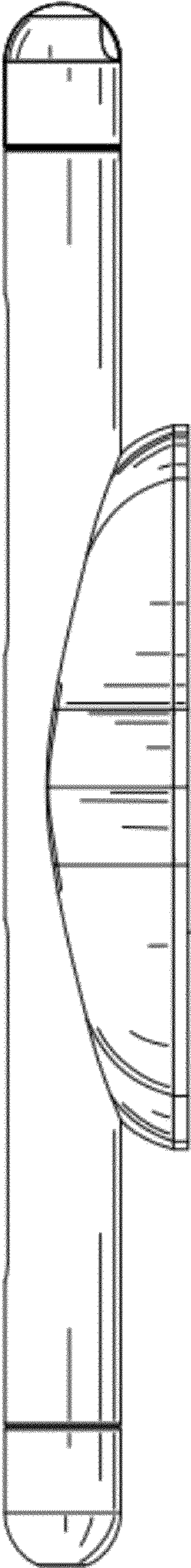


FIG.2



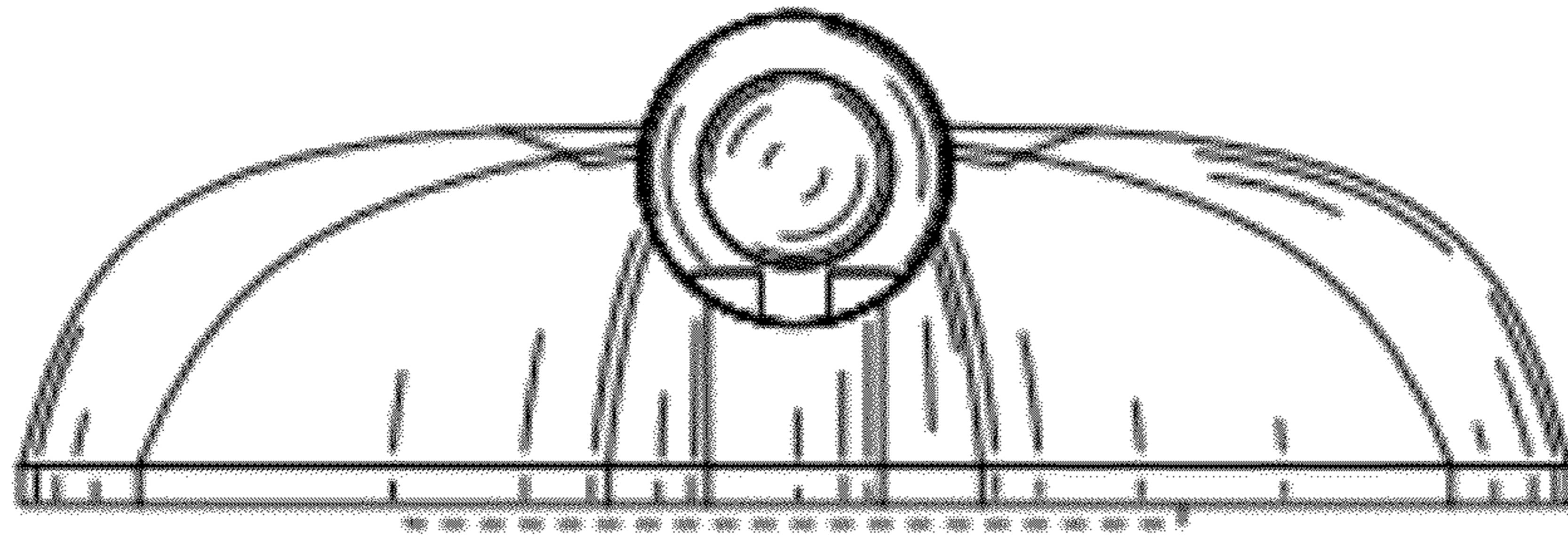


FIG.3

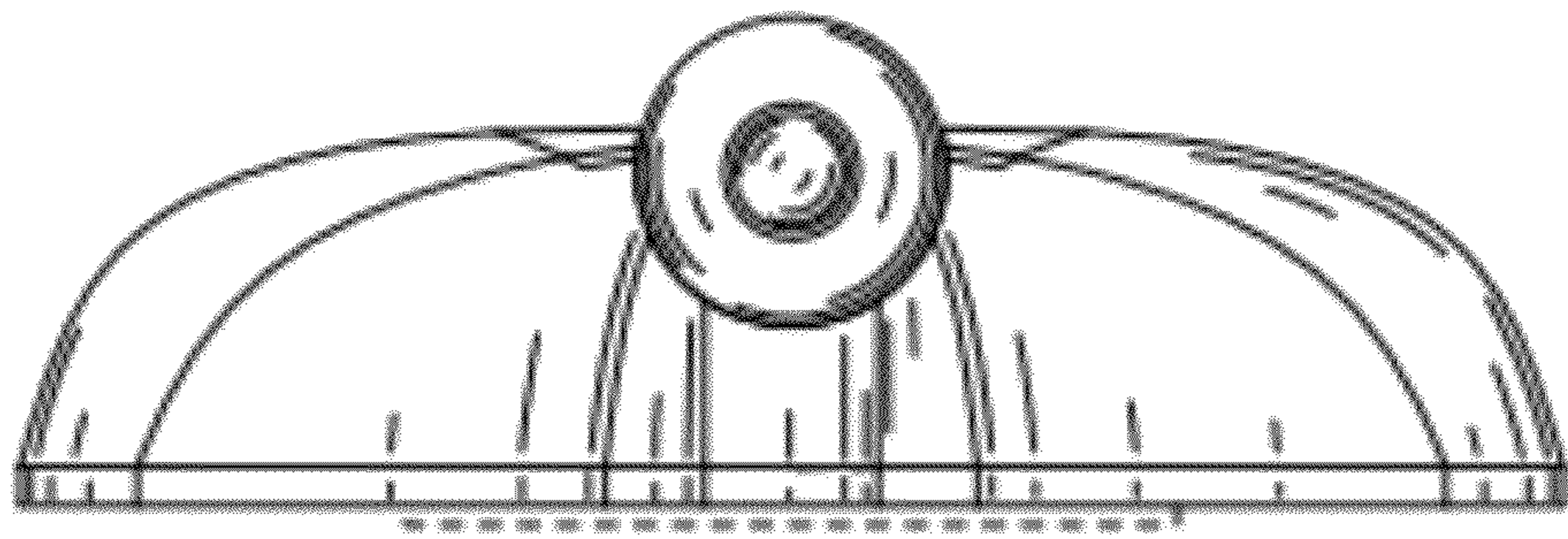


FIG.4

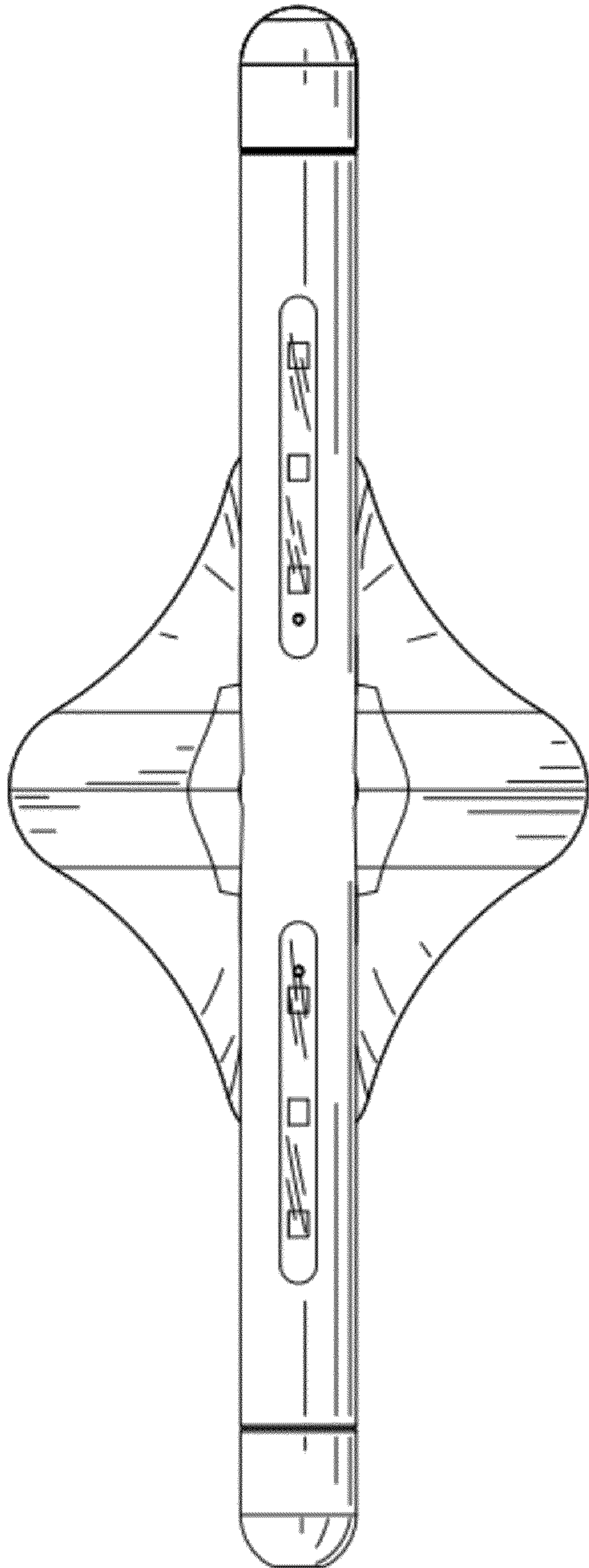


FIG.5

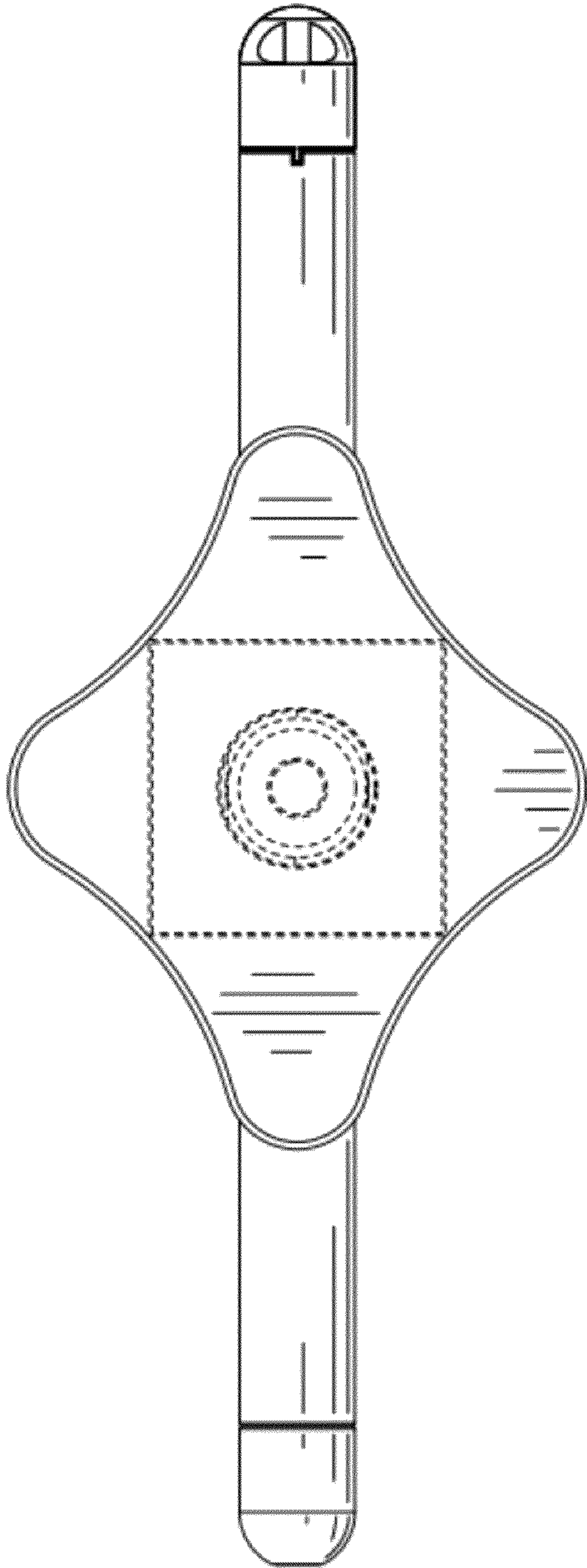


FIG.6



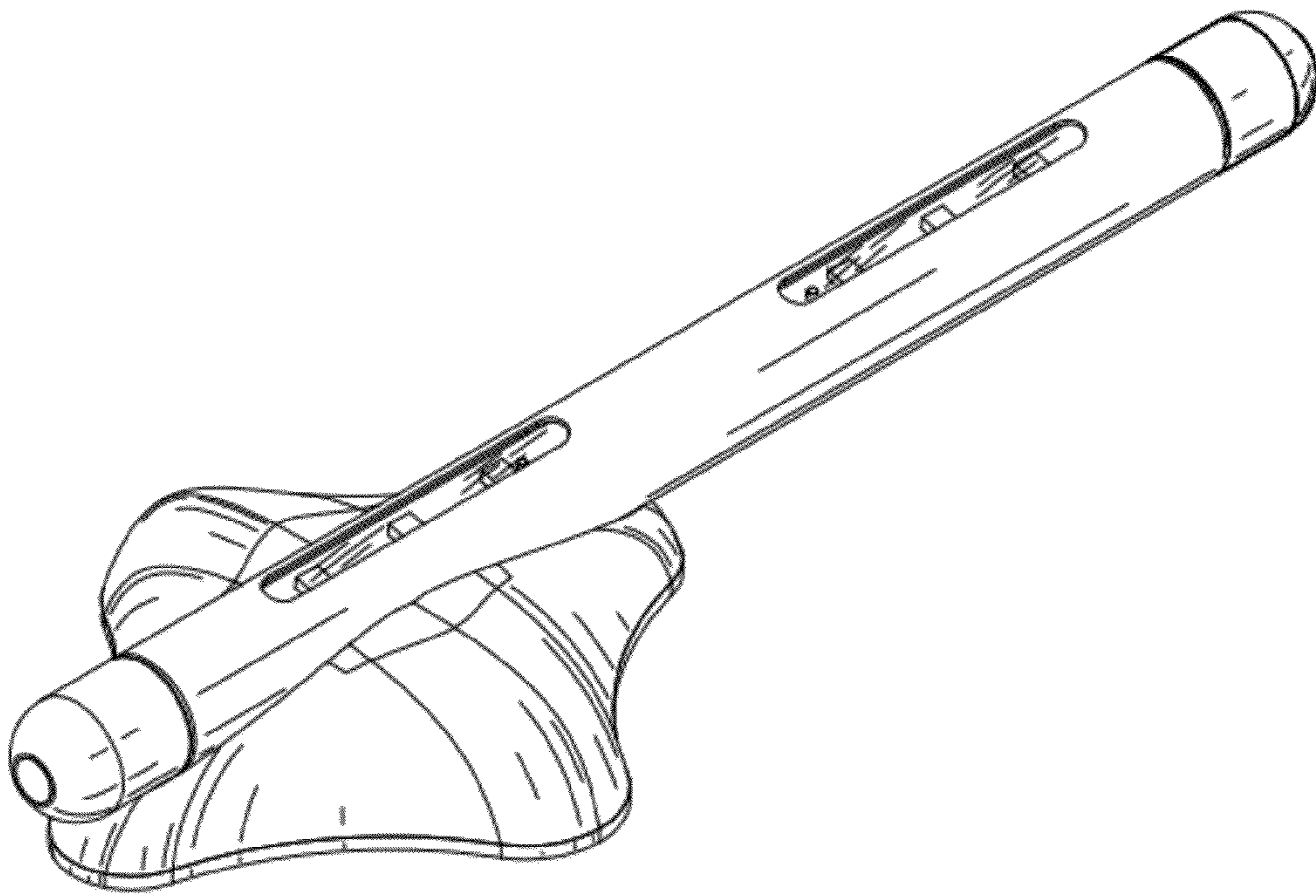


FIG.7



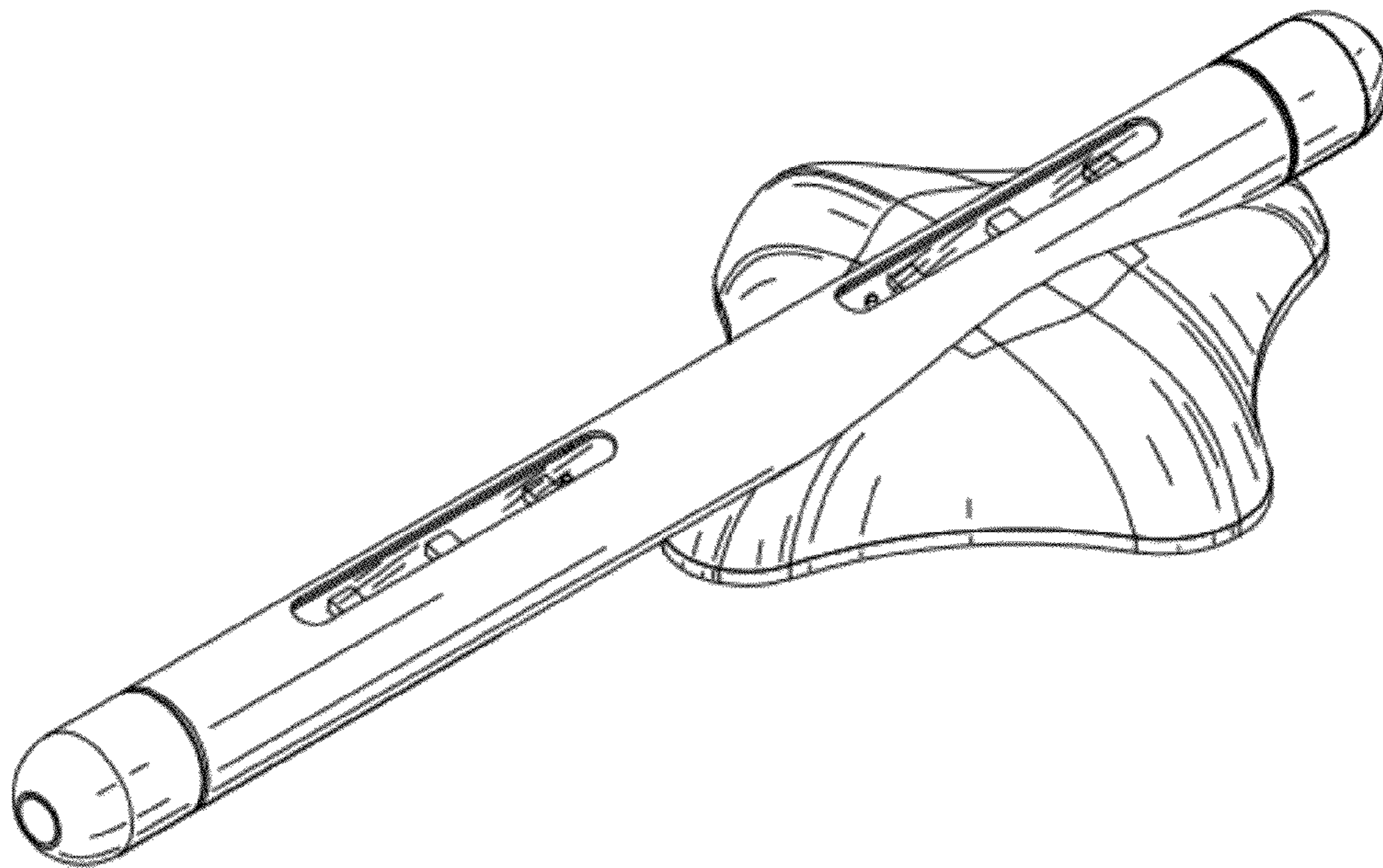


FIG.8

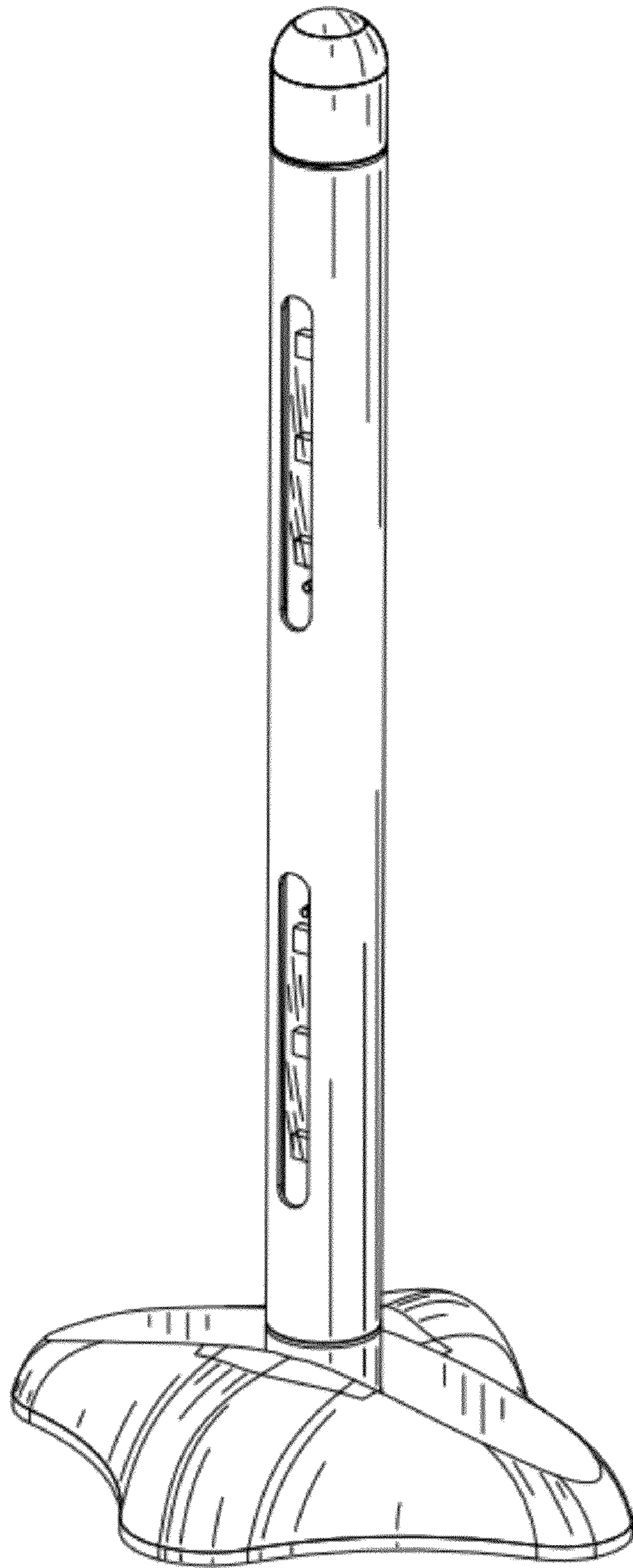


FIG. 9

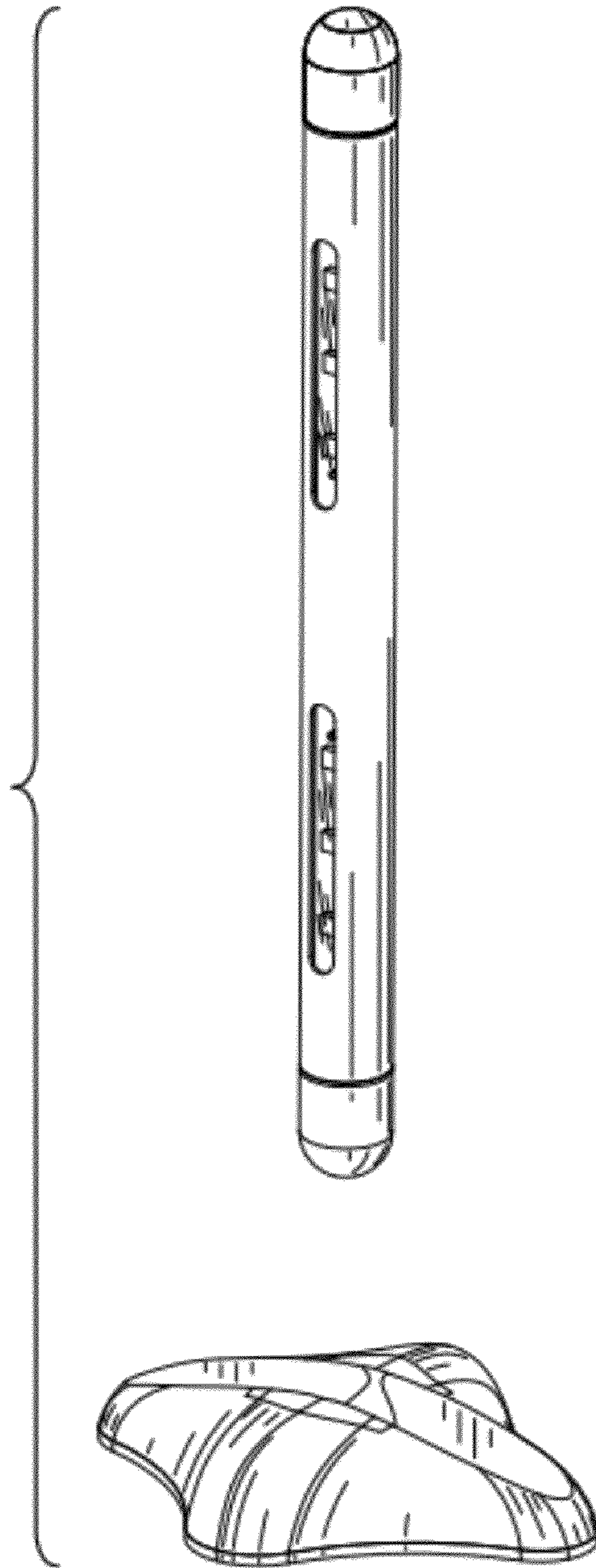


FIG. 10