



US00D656256S

(12) **United States Design Patent**
King

(10) **Patent No.:** **US D656,256 S**

(45) **Date of Patent:** **** Mar. 20, 2012**

(54) **WALL SCONCE CANDLE HOLDER**

(76) **Inventor:** **Thomas Russell King**, Lompoc, CA
(US)

(**) **Term:** **14 Years**

(21) **Appl. No.:** **29/349,913**

(22) **Filed:** **Jul. 29, 2010**

(51) **LOC (9) Cl.** **26-01**

(52) **U.S. Cl.** **D26/9**

(58) **Field of Classification Search** D26/1-23,
D26/114-137; D11/117; 428/7-11; 431/291,
431/311, 320, 298, 288; 362/161-163, 351,
362/369, 392

See application file for complete search history.

(56) **References Cited**

U.S. PATENT DOCUMENTS

D261,179 S * 10/1981 Alley, Sr. D26/9
5,199,781 A * 4/1993 Sweeny 362/145
5,419,527 A * 5/1995 Adams et al. 248/518

5,601,272 A * 2/1997 Adams et al. 248/518
6,869,200 B1 * 3/2005 Graham 362/161
D621,077 S * 8/2010 Fleischman D26/9

* cited by examiner

Primary Examiner — T. Chase Nelson

Assistant Examiner — Ania Aman

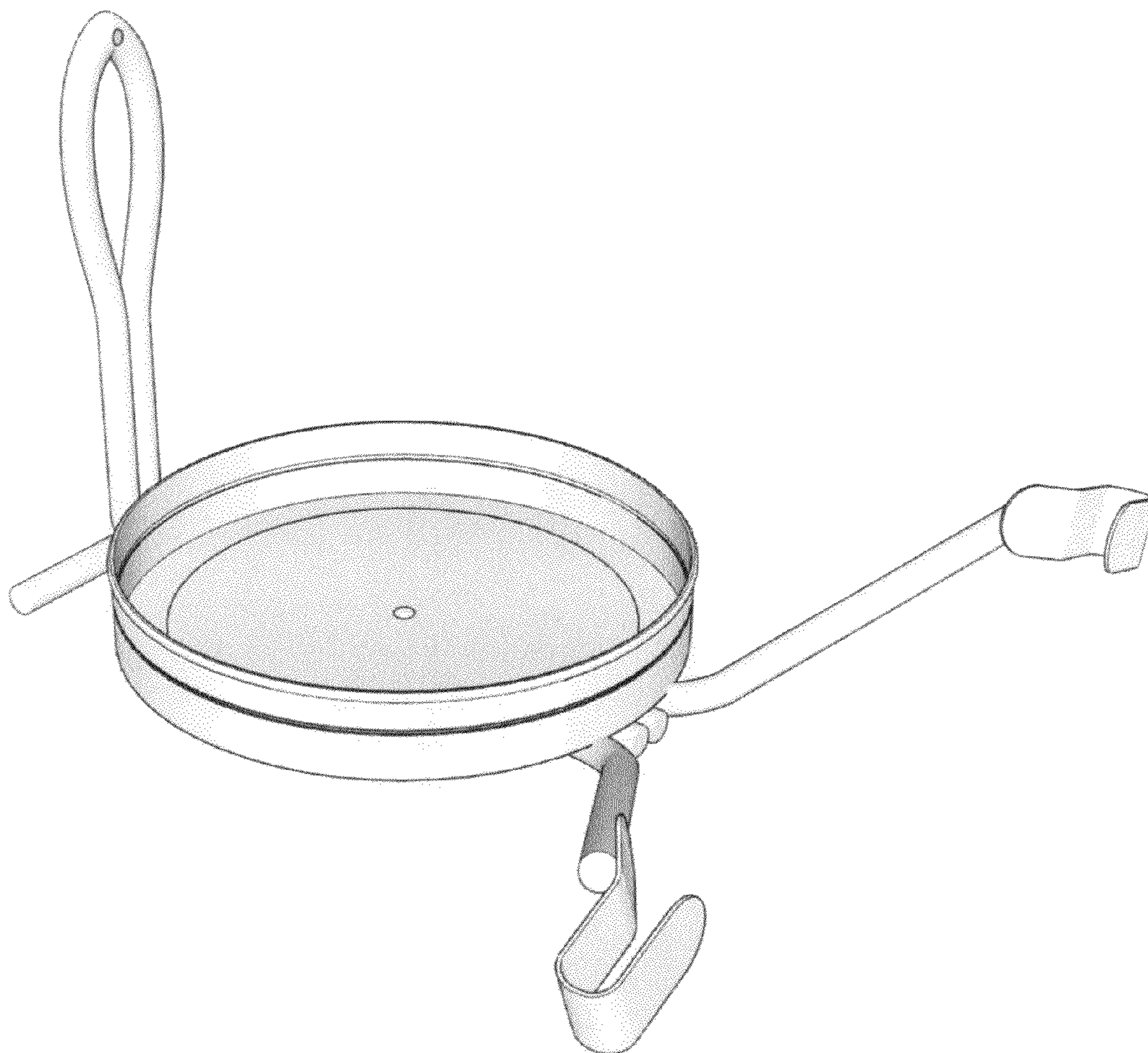
(57) **CLAIM**

The ornamental design for a wall sconce candle holder, as shown.

DESCRIPTION

FIG. 1 is a perspective view of a wall sconce candle holder showing my new design;
FIG. 2 is a top plan view;
FIG. 3 is a bottom plan view;
FIG. 4 is a rear elevation view;
FIG. 5 is a front elevation view;
FIG. 6 is a left side elevation view; and,
FIG. 7 is a right side elevation view.

1 Claim, 7 Drawing Sheets



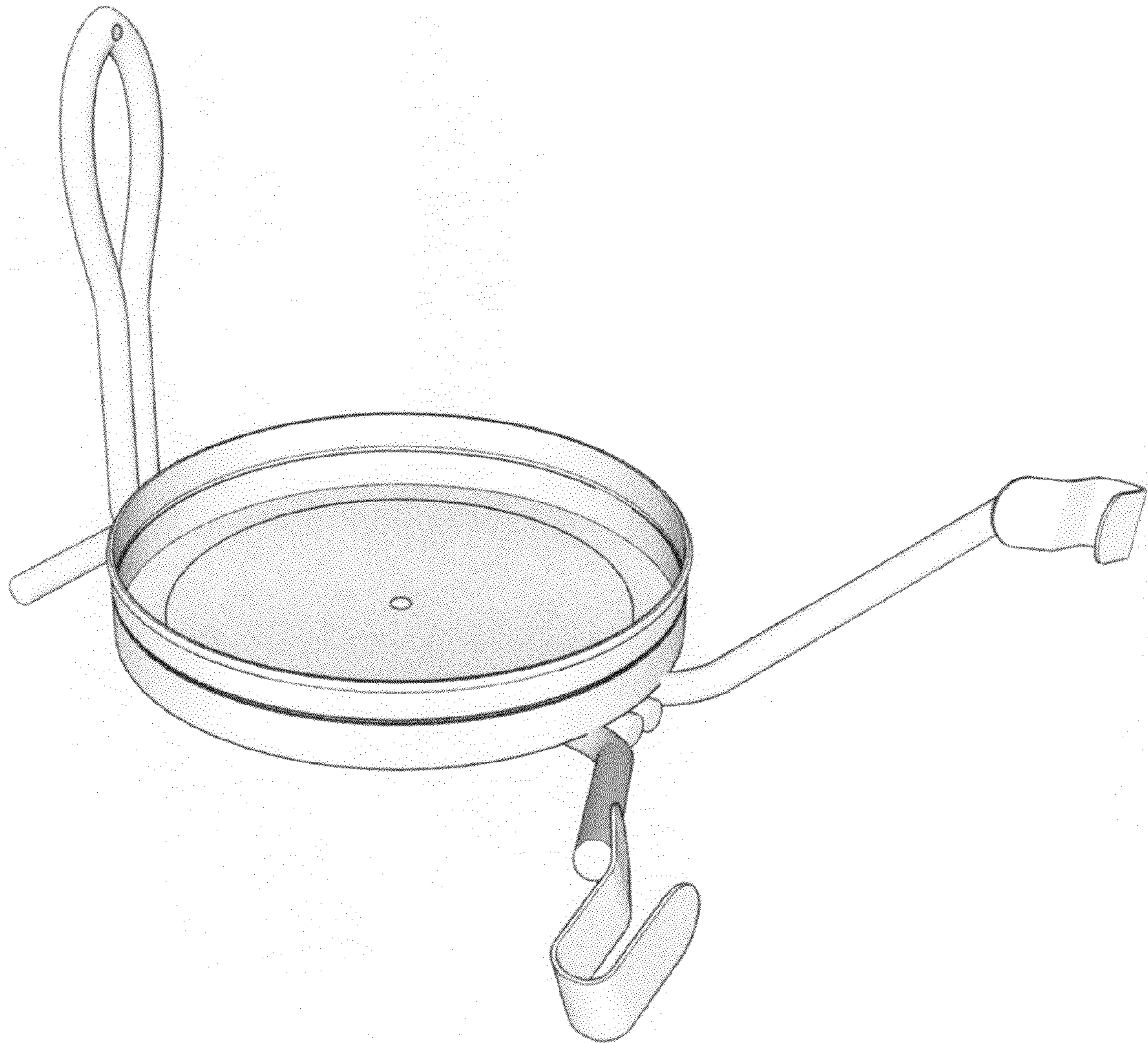


Figure 1

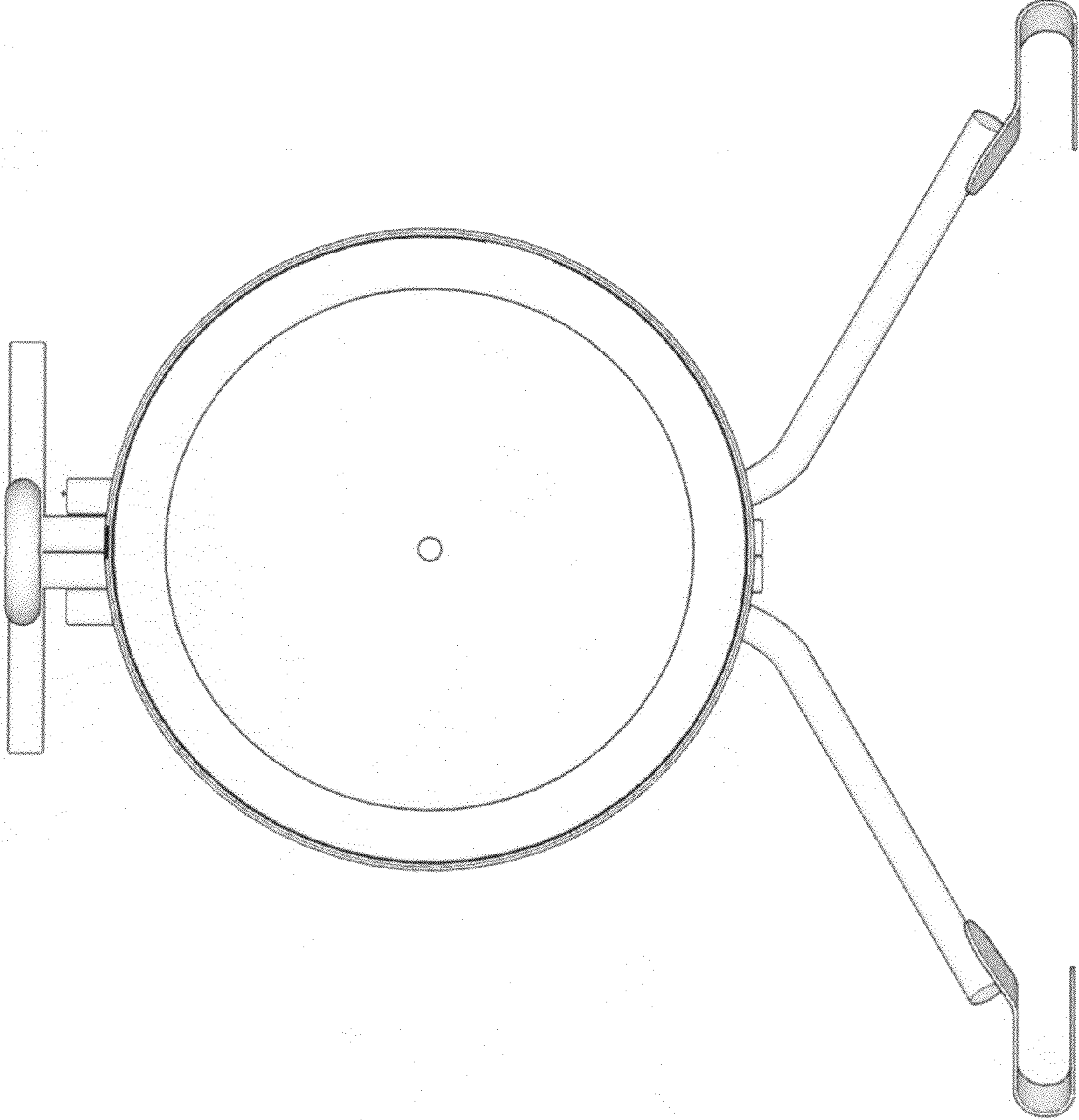


Figure 2

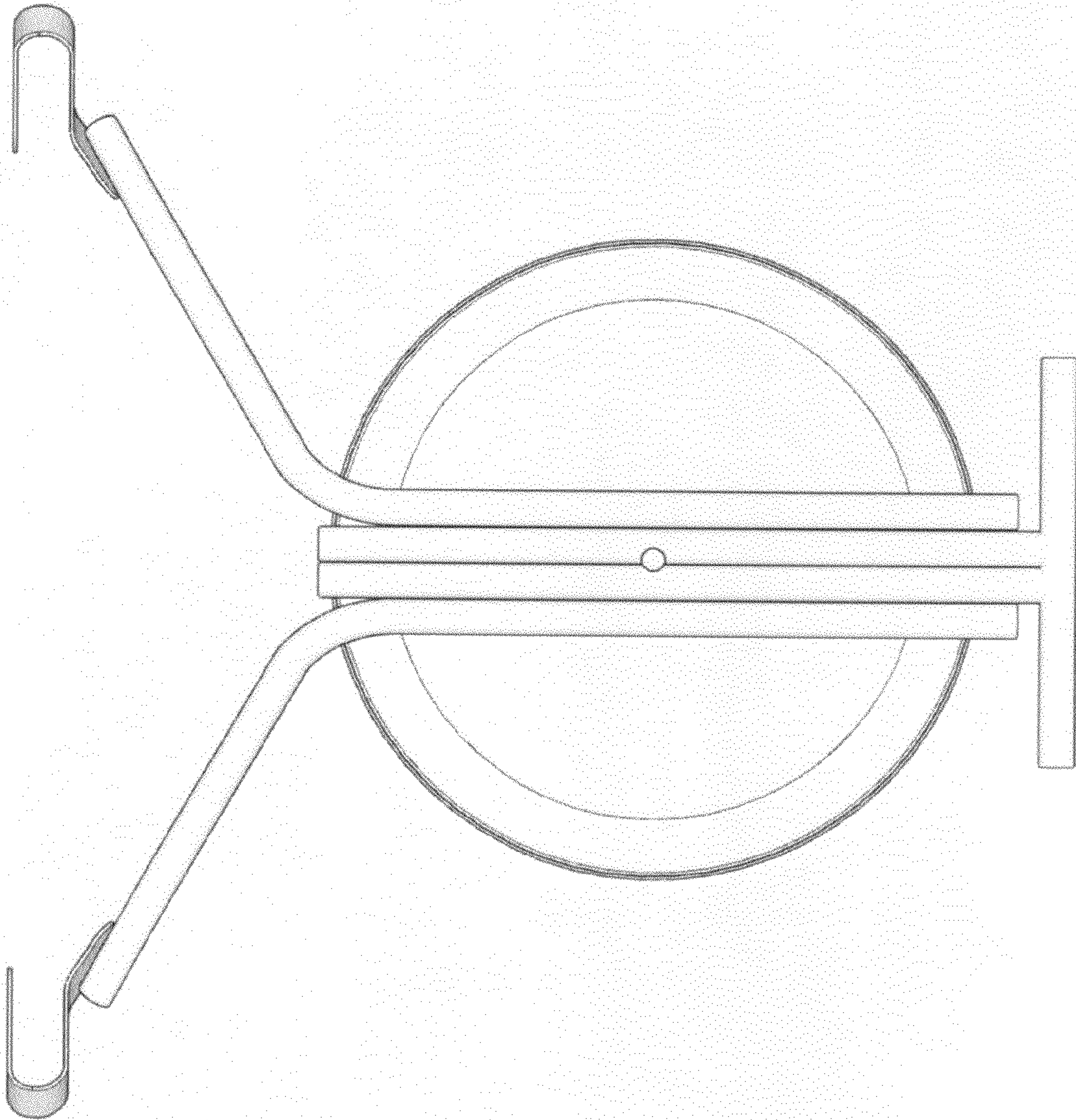


Figure 3

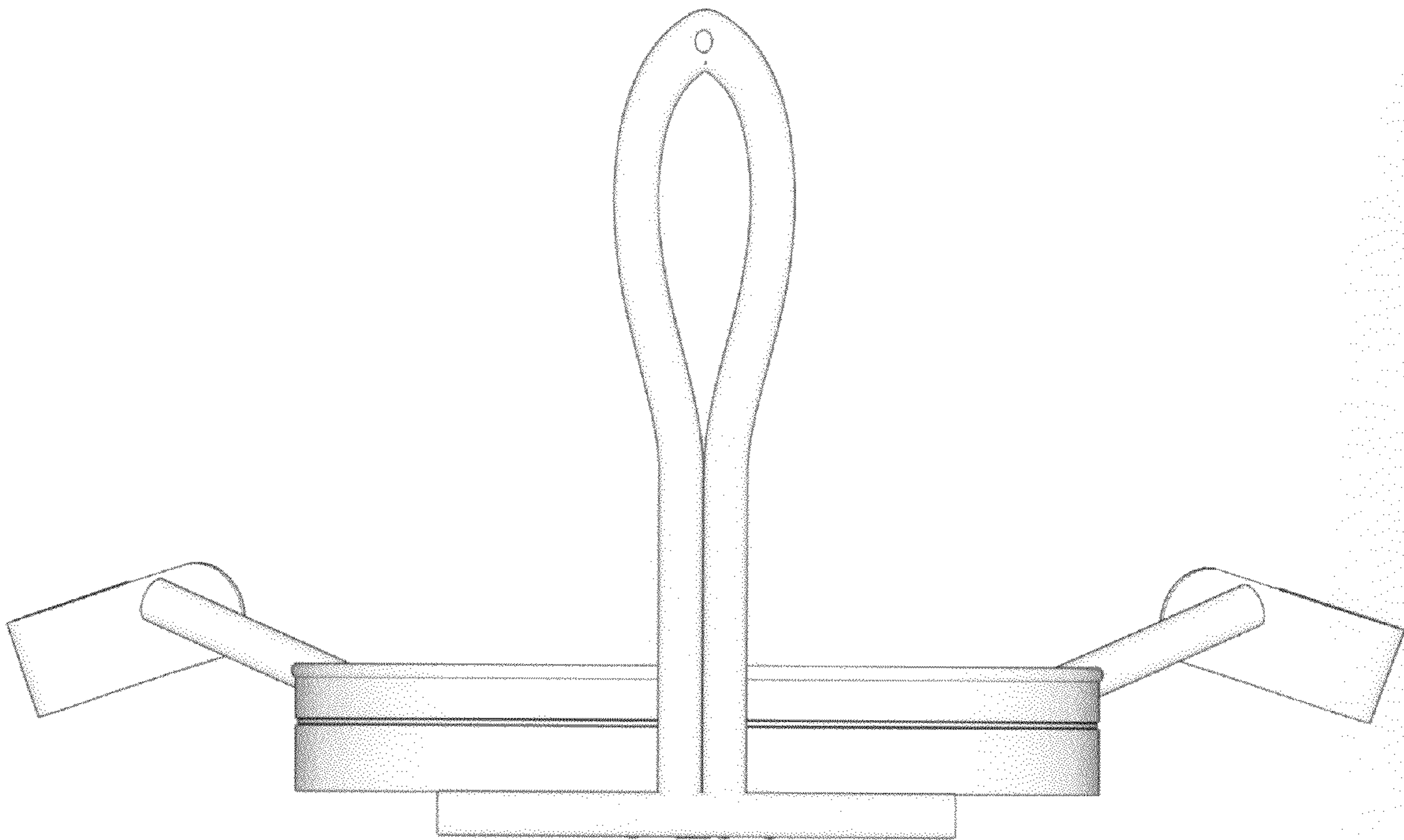


Figure 4

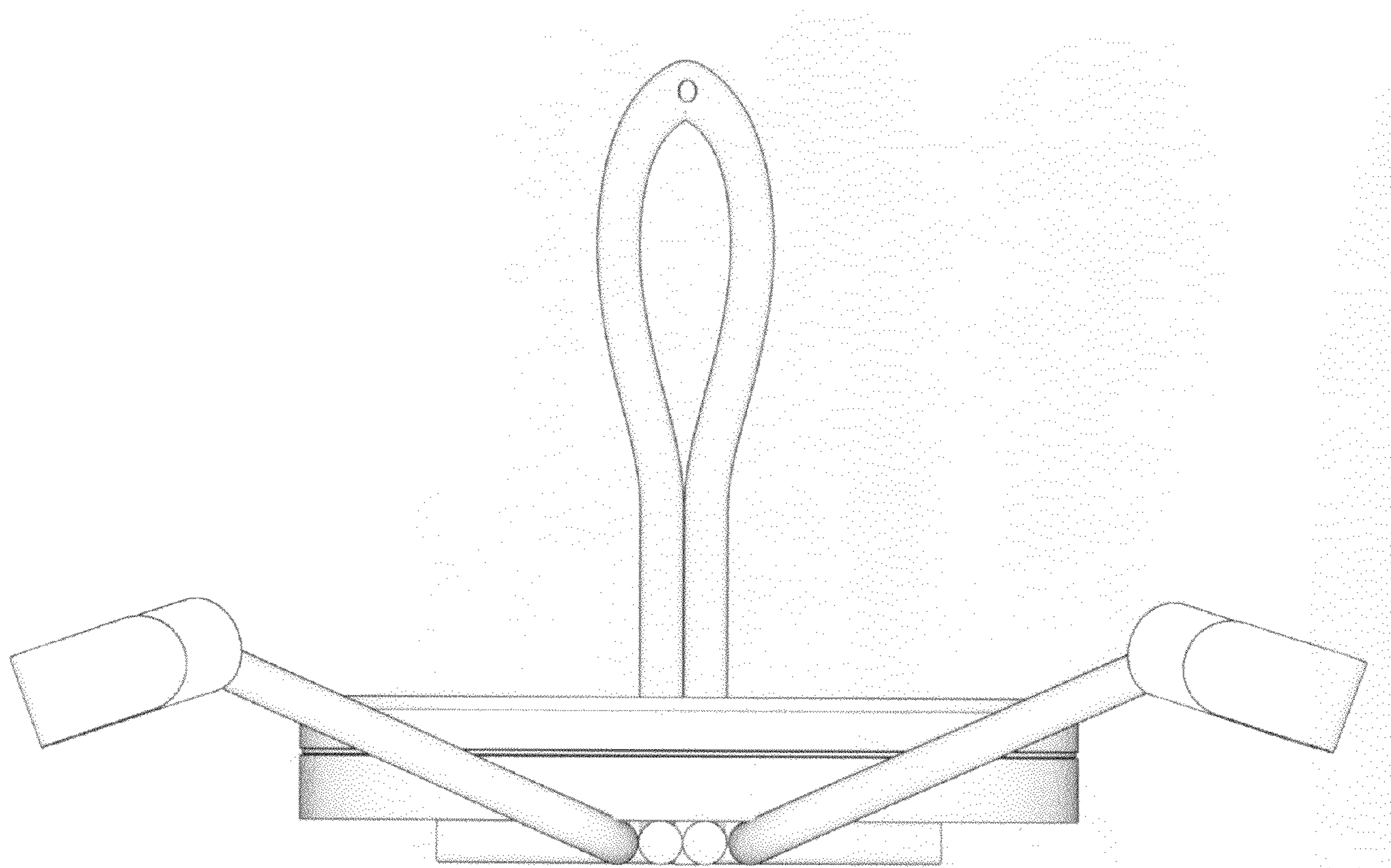


Figure 5

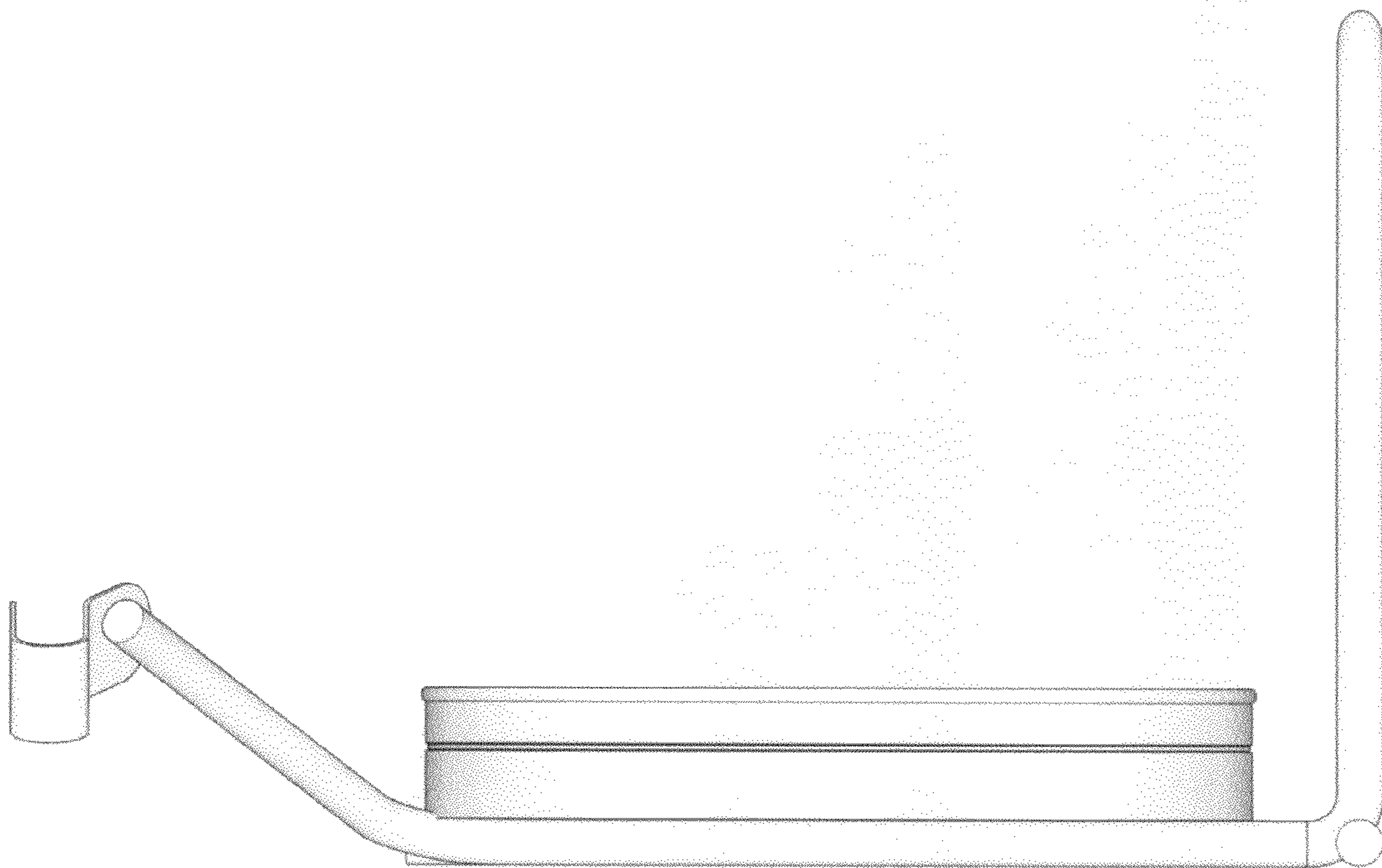


Figure 6

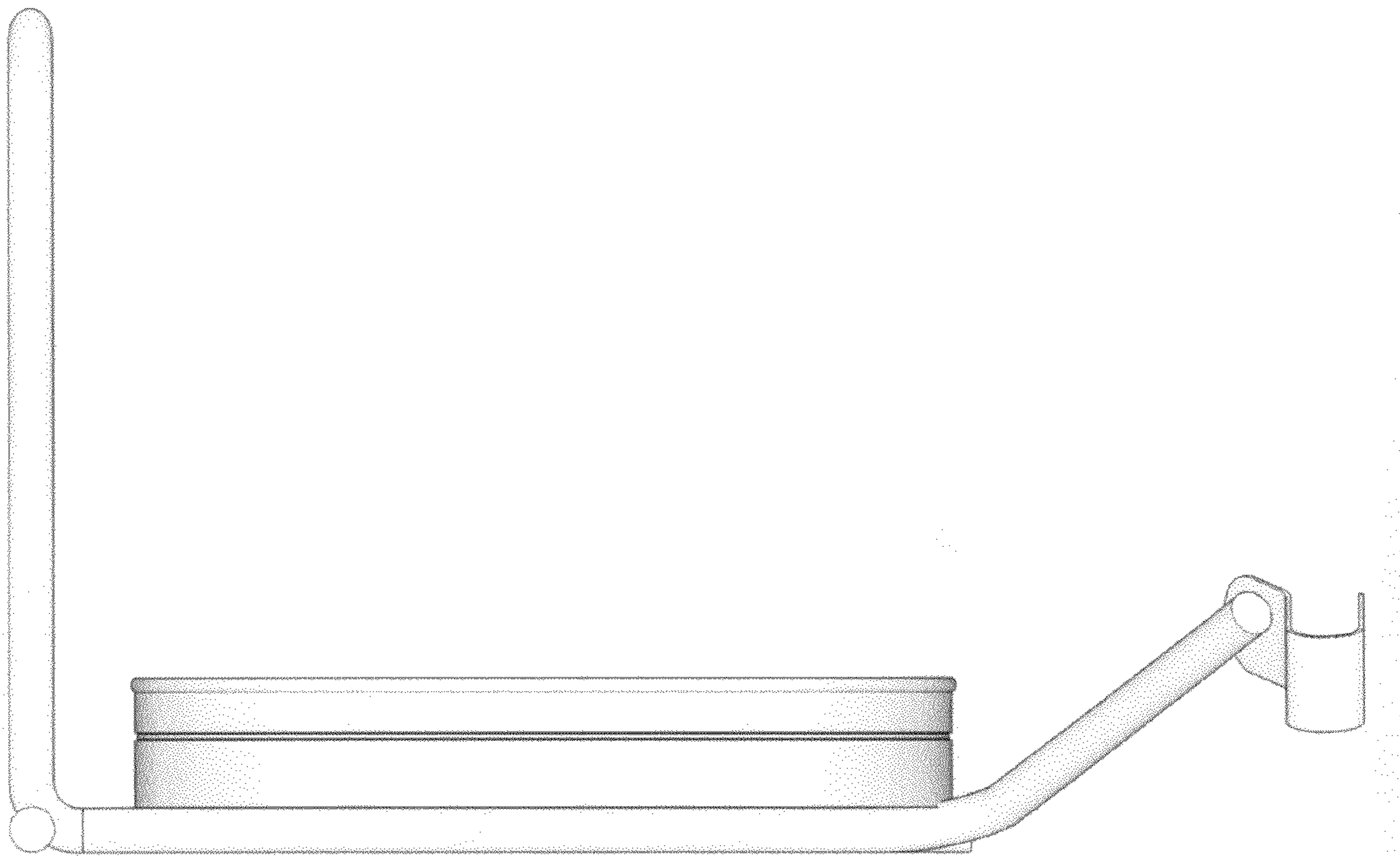


Figure 7