



US00D656255S

(12) **United States Design Patent**
Foo

(10) **Patent No.:** **US D656,255 S**

(45) **Date of Patent:** **** *Mar. 20, 2012**

(54) **LAMP**

(75) **Inventor:** **Onn Fah Foo**, Kowloon (HK)

(73) **Assignee:** **Mass Technology (H.K.) Limited**, Hong Kong (CN)

(*) **Notice:** This patent is subject to a terminal disclaimer.

(**) **Term:** **14 Years**

(21) **Appl. No.:** **29/376,109**

(22) **Filed:** **Oct. 1, 2010**

(30) **Foreign Application Priority Data**

Apr. 8, 2010 (EM) 001692286-0004

(51) **LOC (9) Cl.** **26-04**

(52) **U.S. Cl.** **D26/2**

(58) **Field of Classification Search** D26/1-4;
313/313, 315, 316, 317, 318, 493; 315/52,
315/53, 56, 57, 58

See application file for complete search history.

(56) **References Cited**

U.S. PATENT DOCUMENTS

D545,457 S * 6/2007 Chen D26/2

D572,385 S *	7/2008	Mazzochette et al.	D26/2
D584,428 S *	1/2009	Li et al.	D26/2
D587,384 S *	2/2009	Wei	D26/2
D592,766 S *	5/2009	Zhu et al.	D26/2
D601,275 S *	9/2009	Ho et al.	D26/2
D607,587 S *	1/2010	Ko	D26/2
D610,275 S *	2/2010	Cho	D26/2
D612,956 S *	3/2010	Moon	D26/2
D613,433 S *	4/2010	Moon	D26/2

* cited by examiner

Primary Examiner — Marcus Jackson

(74) *Attorney, Agent, or Firm* — McNeely, Hare & War LLP;
Kevin J. McNeely

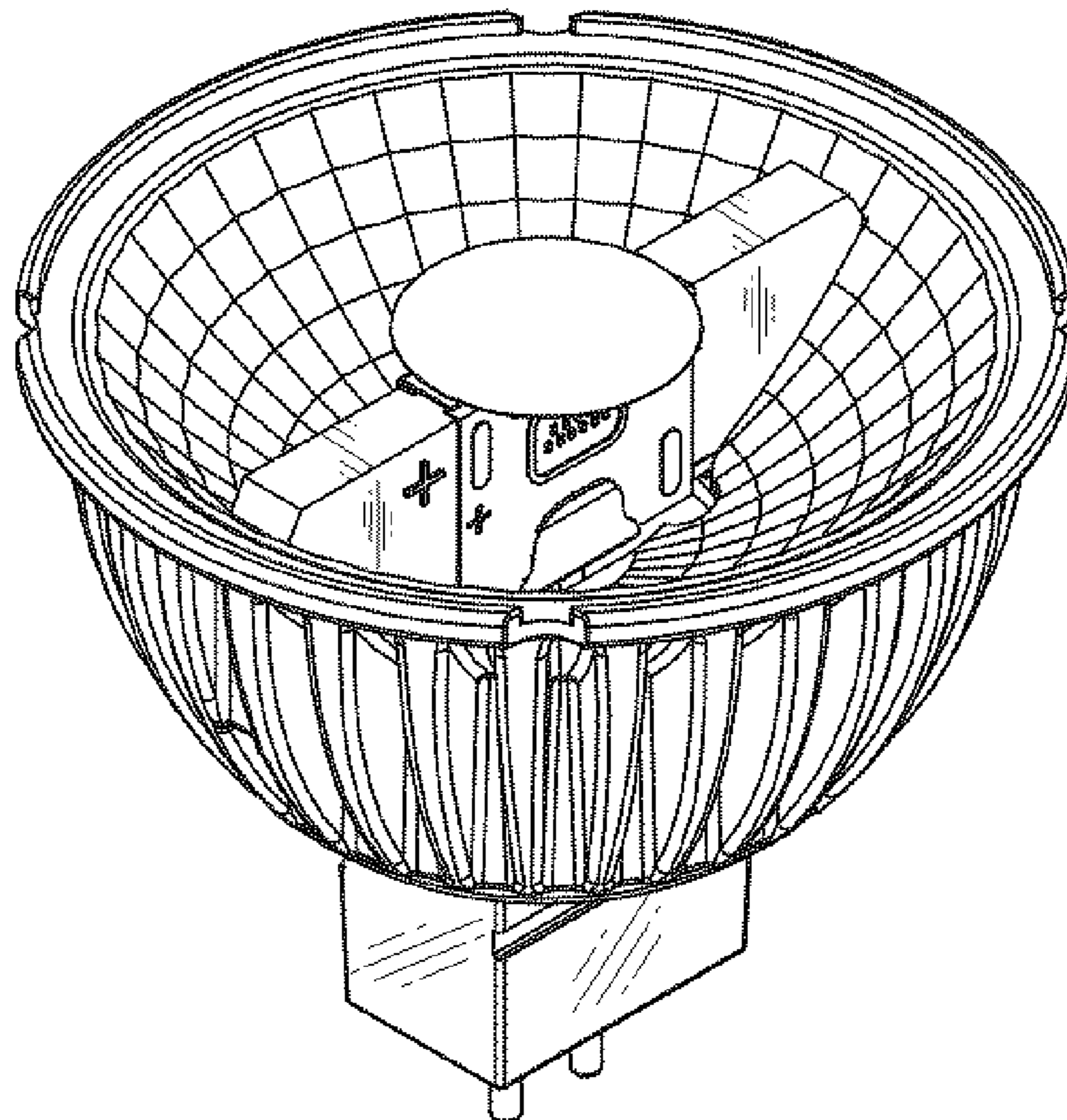
(57) **CLAIM**

The ornamental design for a lamp, as shown and described.

DESCRIPTION

FIG. 1 is a front view of the lamp, showing the new design;
FIG. 2 is a rear view of the lamp;
FIG. 3 is a left side view of the lamp;
FIG. 4 is a right side view of the lamp;
FIG. 5 is a top view of the lamp;
FIG. 6 is a bottom view of the lamp; and,
FIG. 7 is top perspective view of the lamp.

1 Claim, 3 Drawing Sheets



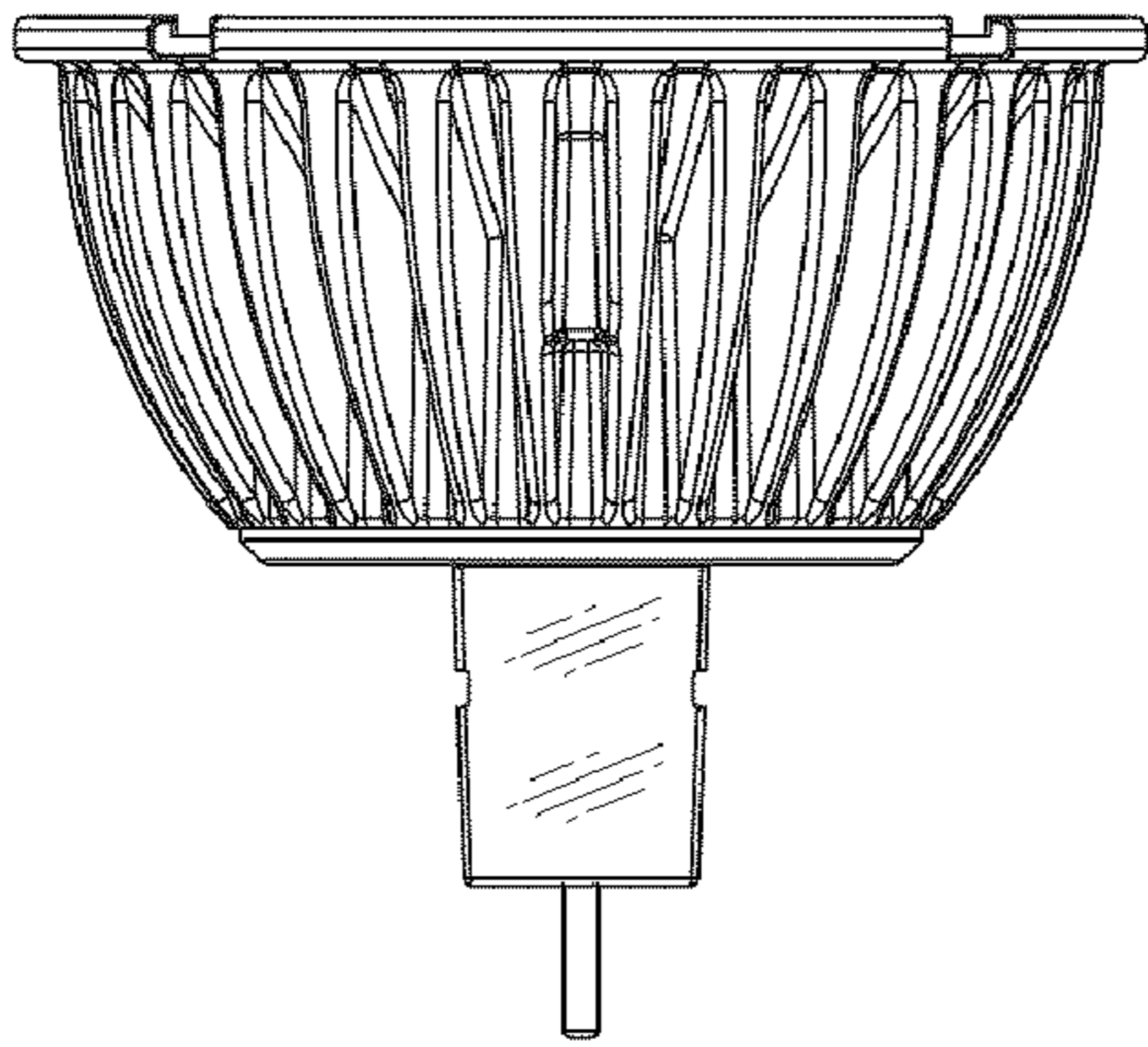


Fig. 1

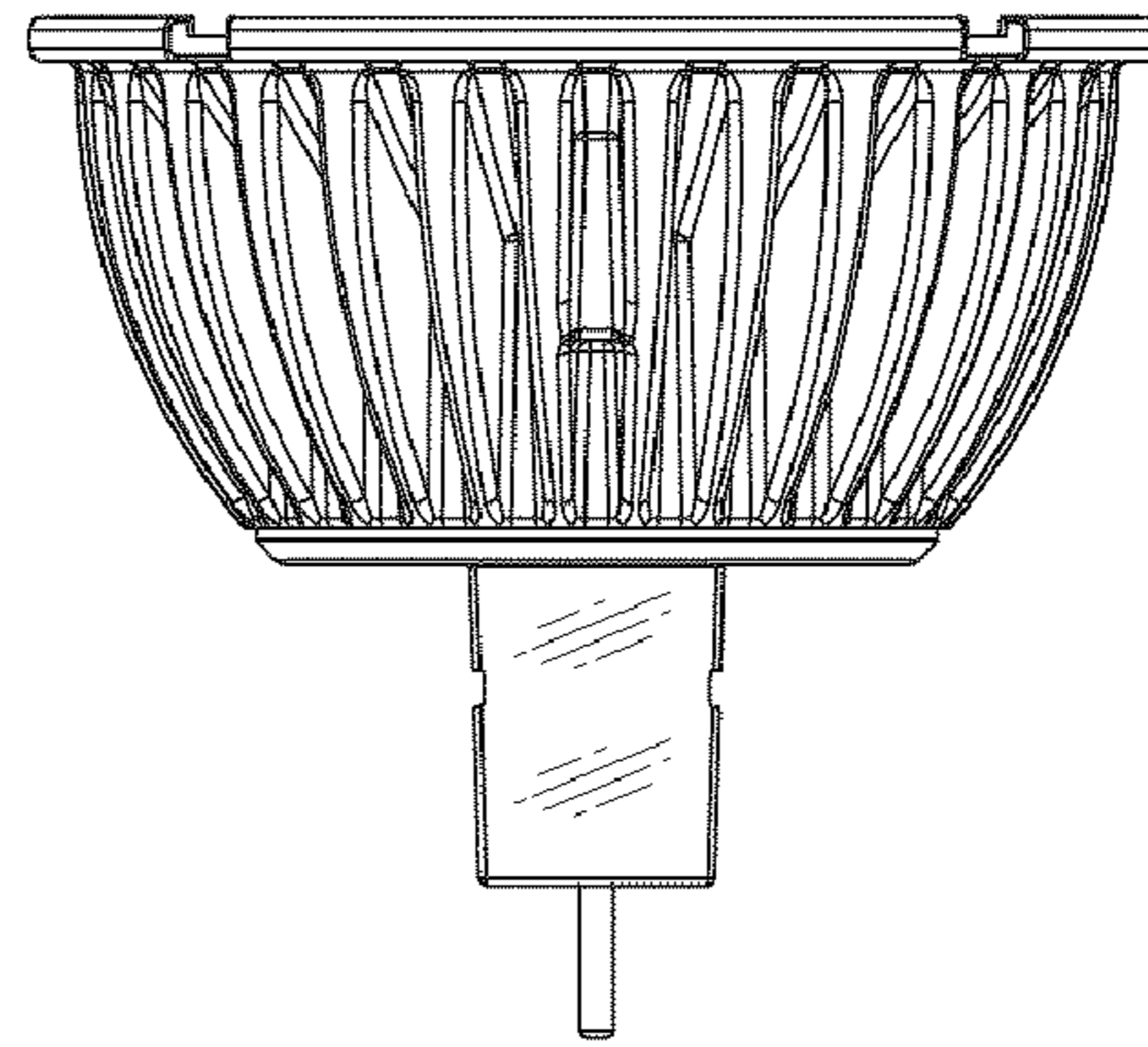


Fig. 2

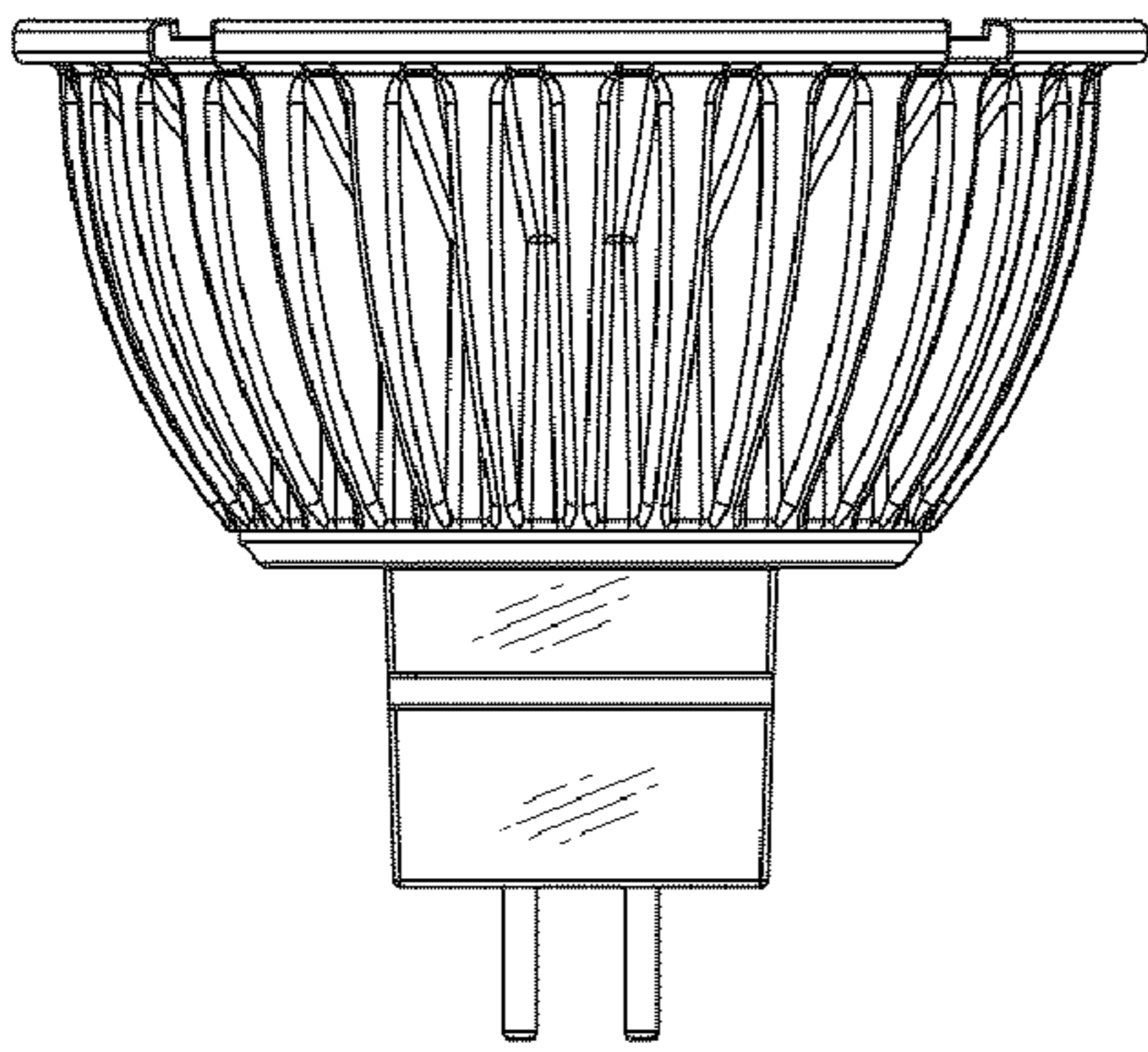


Fig.3

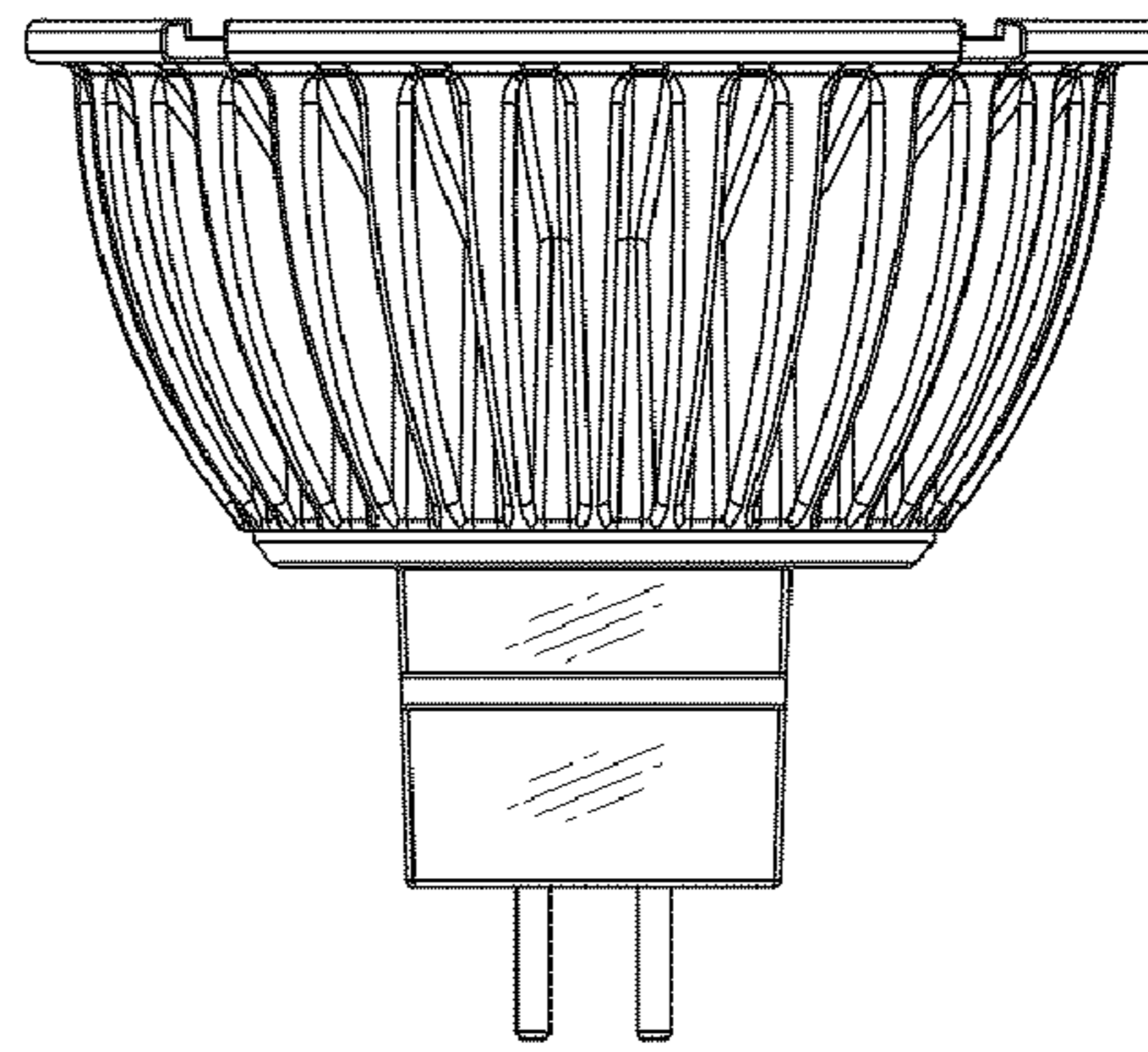


Fig.4

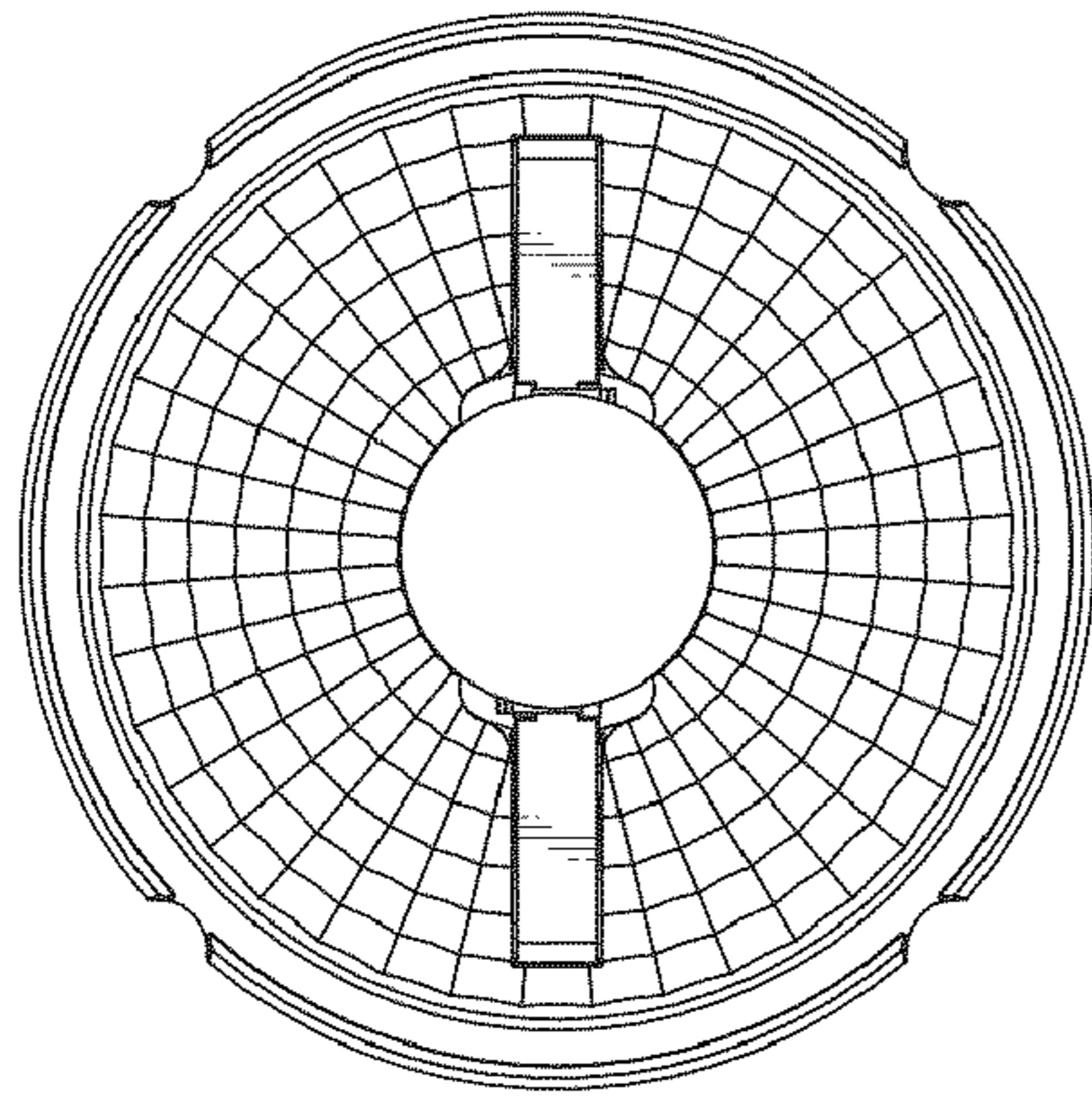


Fig.5

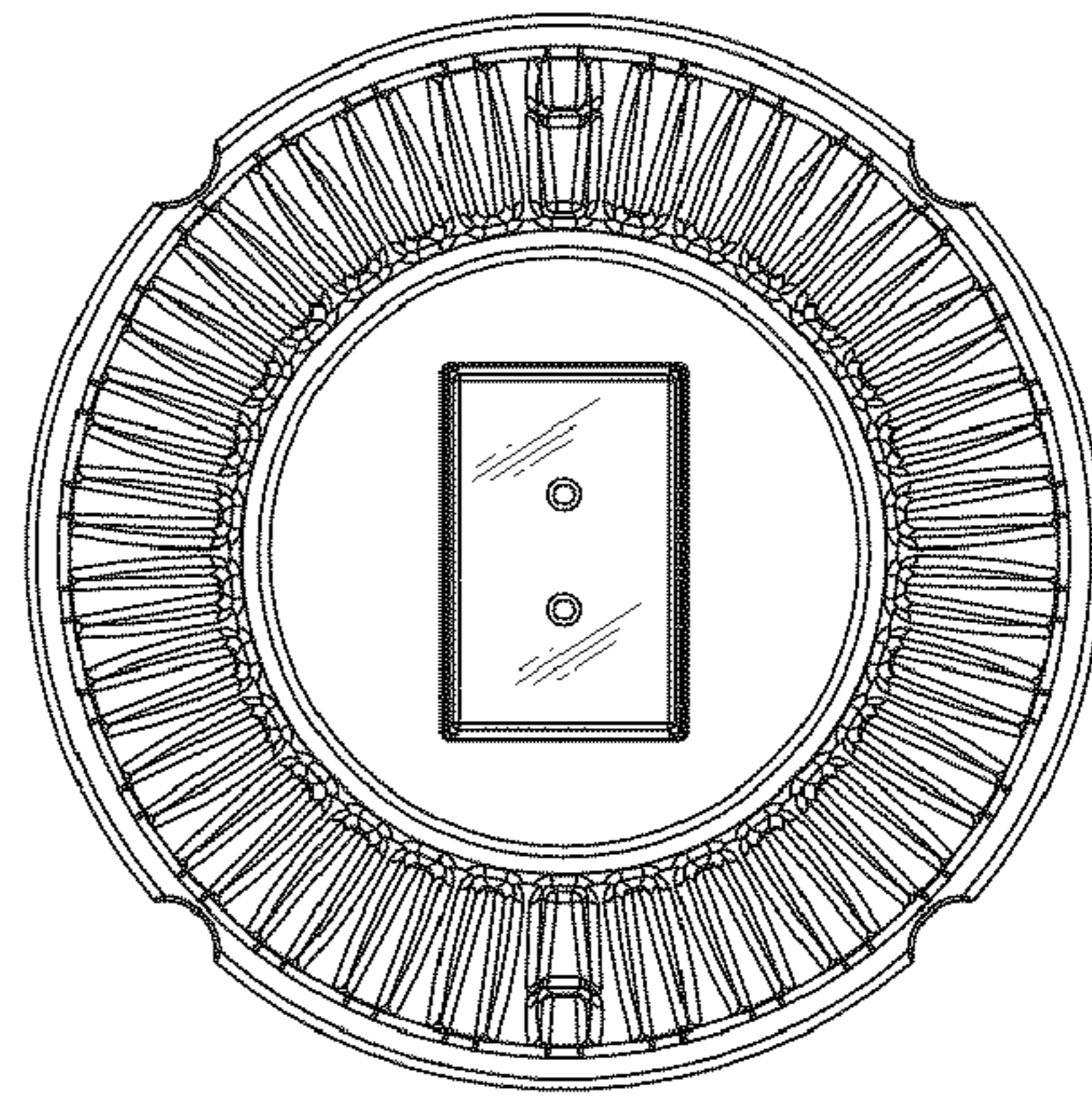


Fig.6

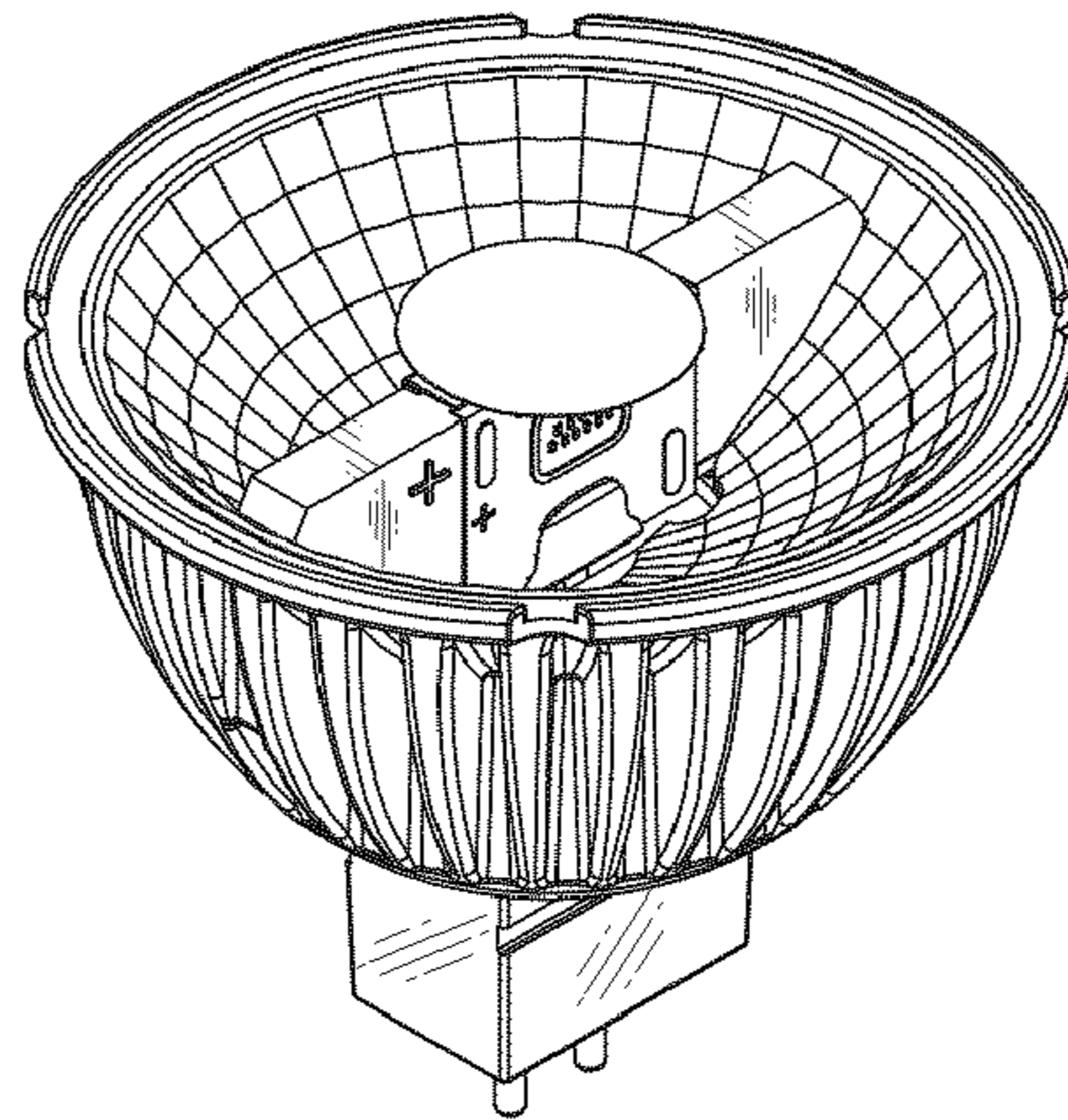


Fig.7