



US00D656251S

(12) **United States Design Patent**
Underkofler et al.

(10) **Patent No.:** **US D656,251 S**
(45) **Date of Patent:** **** Mar. 20, 2012**

(54) **SEISMIC EXPANSION SLEEVE FOR
SUSPENDED CEILINGS**

(75) Inventors: **Abraham Monroe Underkofler**,
Waukegan, IL (US); **James Joseph
Lehane**, McHenry, IL (US); **Peder John
Gulbrandsen**, Aurora, IL (US); **Mark
Robert Paulsen**, Waukegan, IL (US)

(73) Assignee: **USG Interiors, LLC.**, Chicago, IL (US)

(**) Term: **14 Years**

(21) Appl. No.: **29/380,398**

(22) Filed: **Dec. 3, 2010**

(51) **LOC (9) Cl.** **25-01**

(52) **U.S. Cl.** **D25/164; D25/126**

(58) **Field of Classification Search** D25/164,
D25/199, 126; 52/393, 506.06, 22, 475.1,
52/792.1, 800.12, 802.1, 716.8, 733.1

See application file for complete search history.

(56) **References Cited**

U.S. PATENT DOCUMENTS

2,169,388 A * 8/1939 Ingram et al. 52/364
4,827,687 A * 5/1989 Frawley 52/506.06
D344,601 S * 2/1994 Jenkins et al. D25/126

5,888,017 A * 3/1999 Corrie 404/64
6,336,302 B1 * 1/2002 Brugman et al. 52/483.1
7,428,801 B2 * 9/2008 Ostenfeldt 52/144
7,607,272 B1 * 10/2009 Woolworth 52/573.1
D618,826 S * 6/2010 Lehane, Jr. D25/164

* cited by examiner

Primary Examiner — Doris Clark

(74) *Attorney, Agent, or Firm* — Pradip Sahu; David F. Janci;
Philip T. Petti

(57) **CLAIM**

The ornamental design for a seismic expansion sleeve for
suspended ceilings, as shown and described.

DESCRIPTION

FIG. 1 is a top perspective view of the present sleeve;
FIG. 2 is a side view of same;
FIG. 3 is a top view of same;
FIG. 4 is a front view of same;
FIG. 5 is a bottom view of same;
FIG. 6 is a top perspective view of the sleeve of FIG. 1 when
in an installed or crimped configuration;
FIG. 7 is a side view of same;
FIG. 8 is a top view of same;
FIG. 9 is a front view of same; and,
FIG. 10 is a bottom view of same.

1 Claim, 2 Drawing Sheets

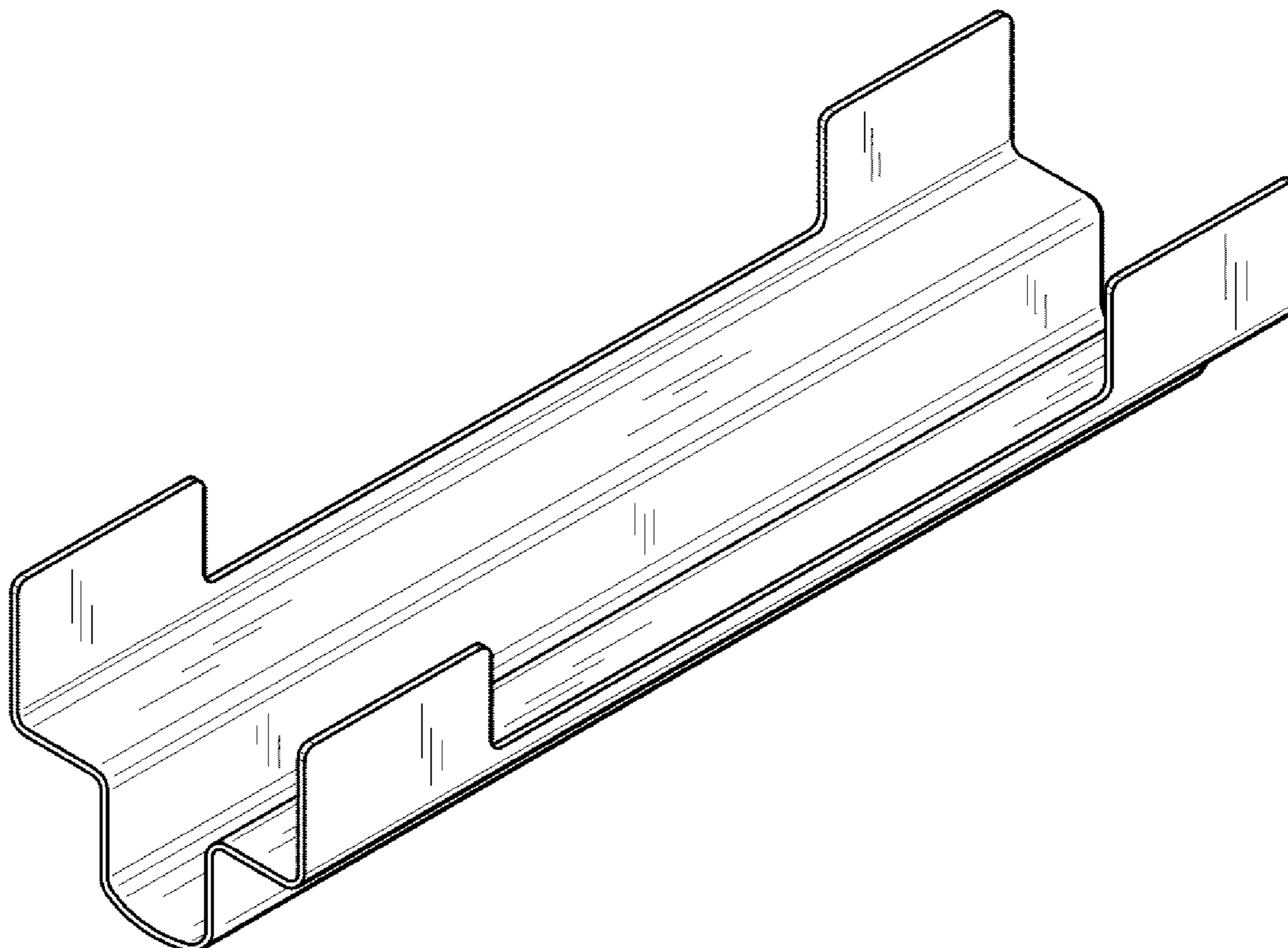


FIG. 1

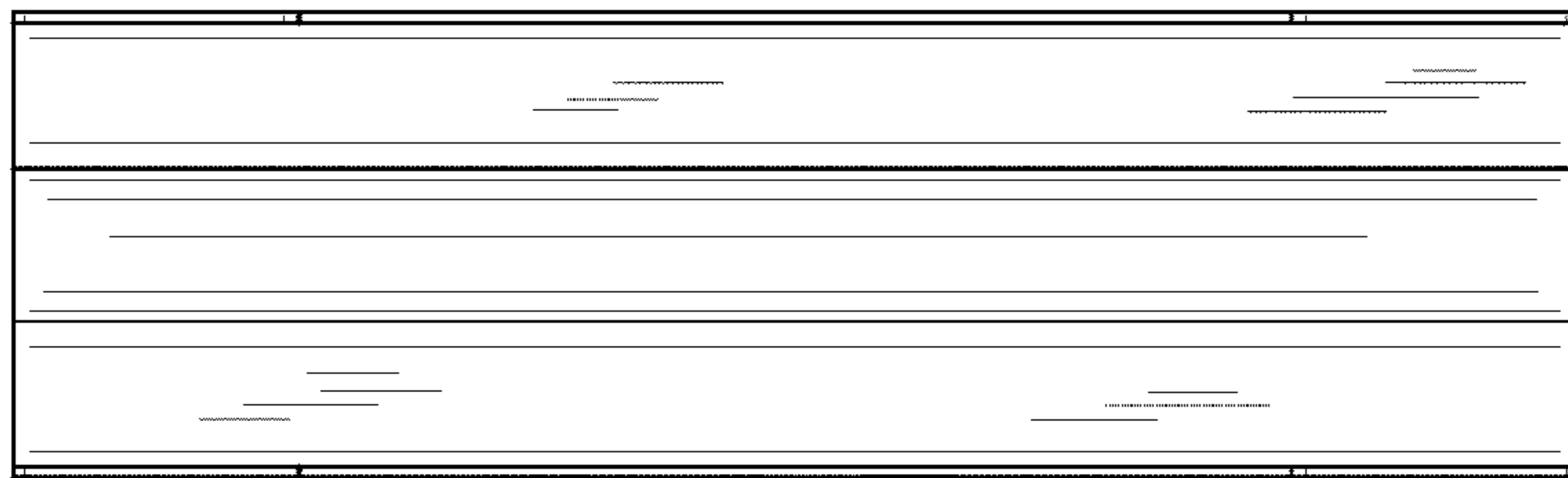
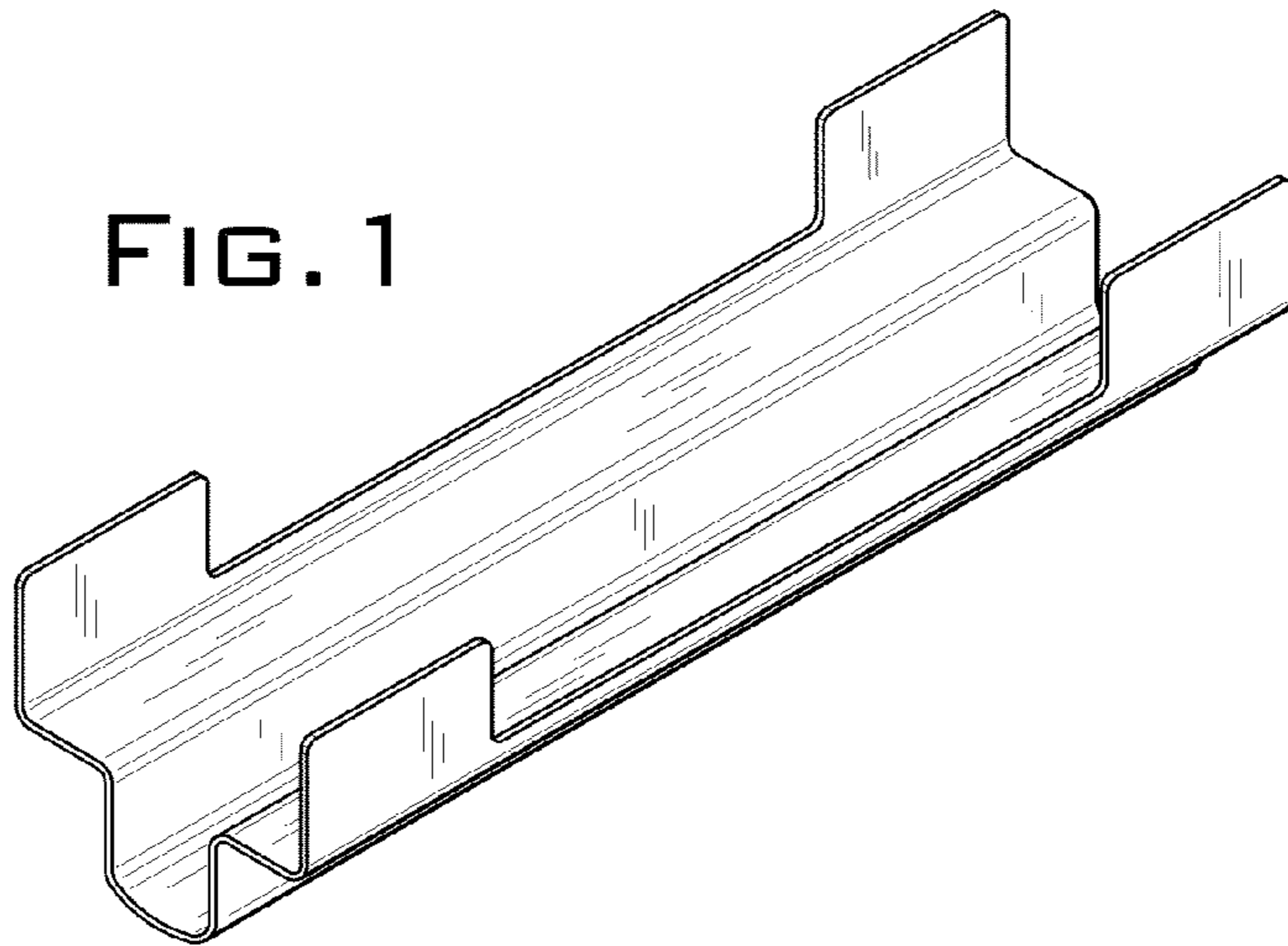


FIG. 3

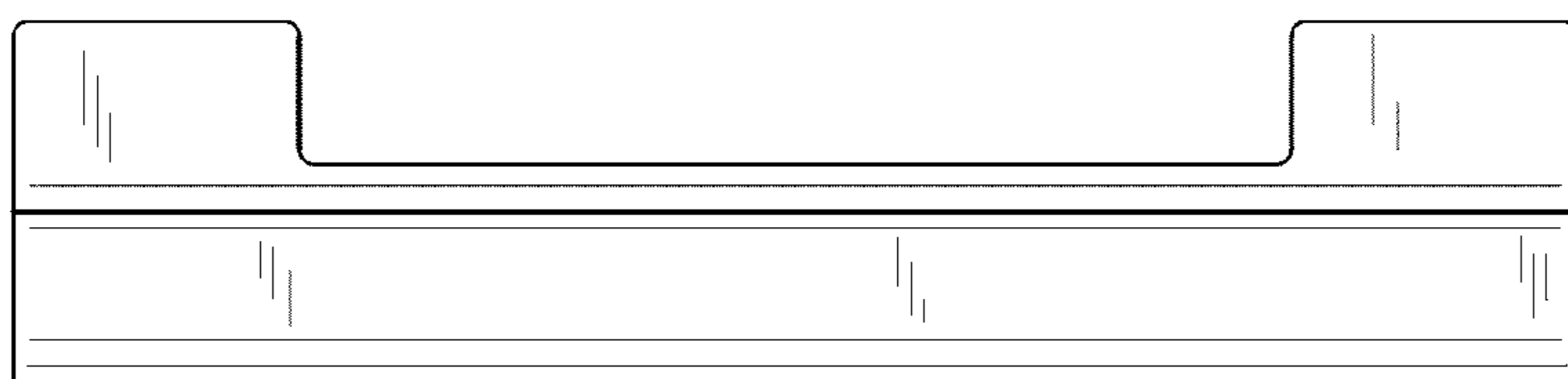


FIG. 2

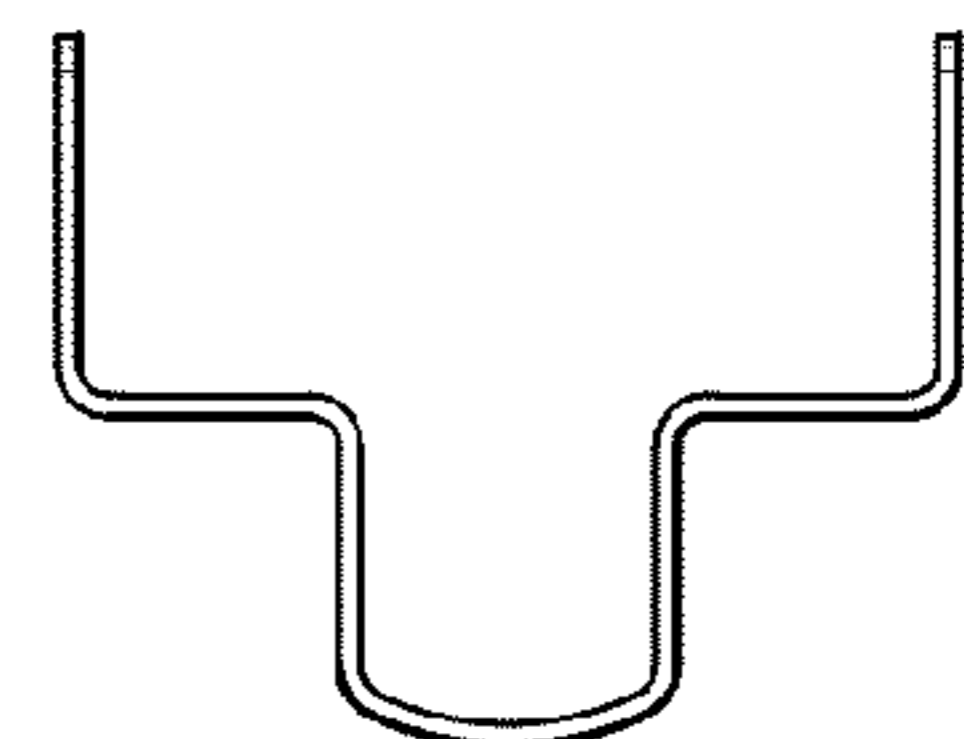


FIG. 4

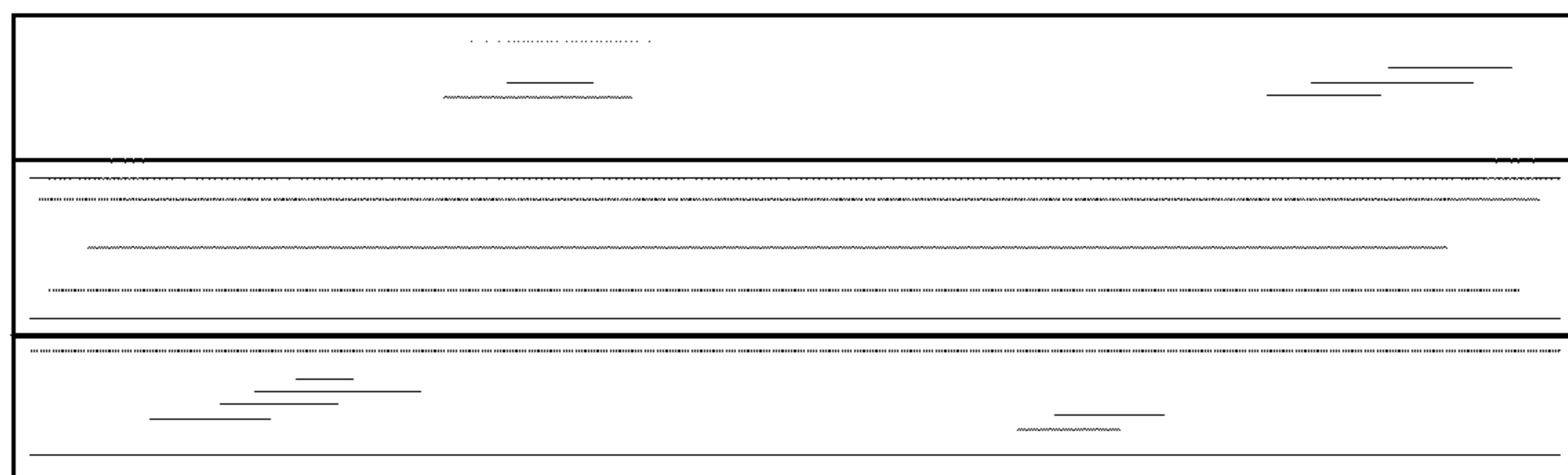


FIG. 5

FIG. 6

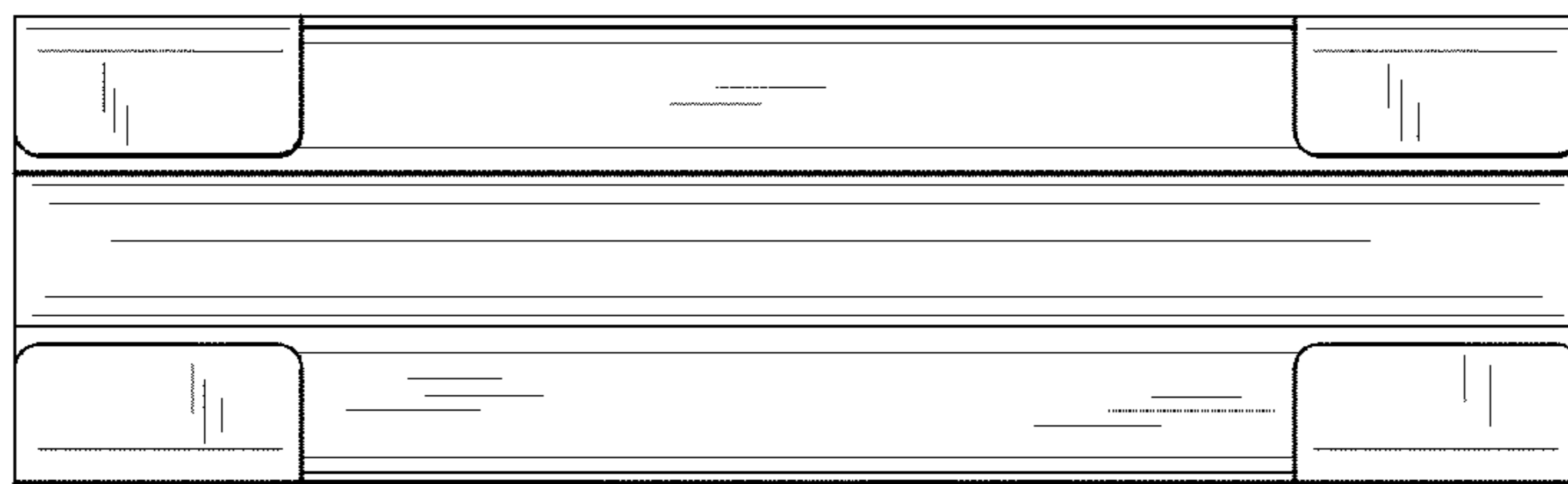
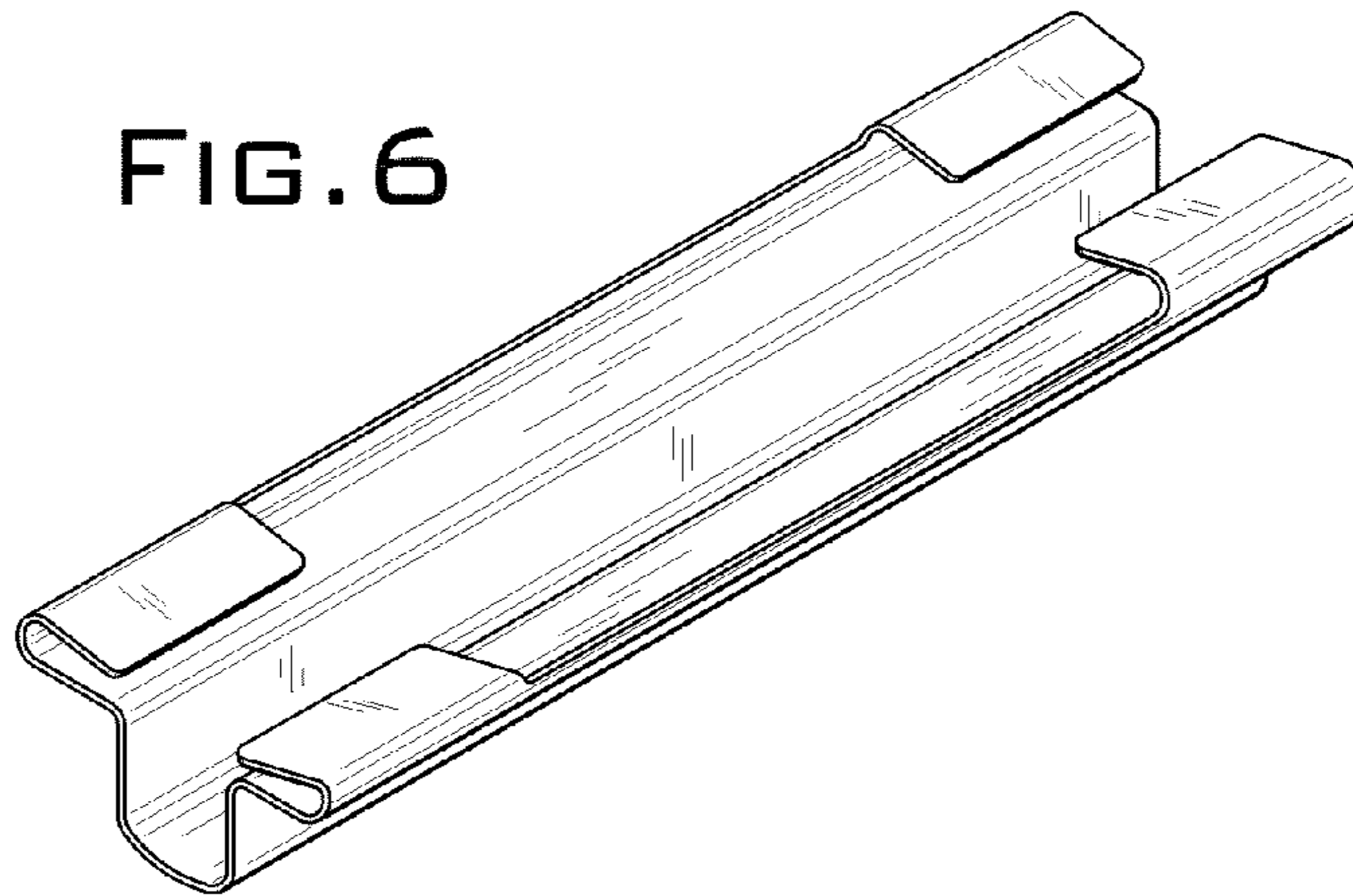


FIG. 8

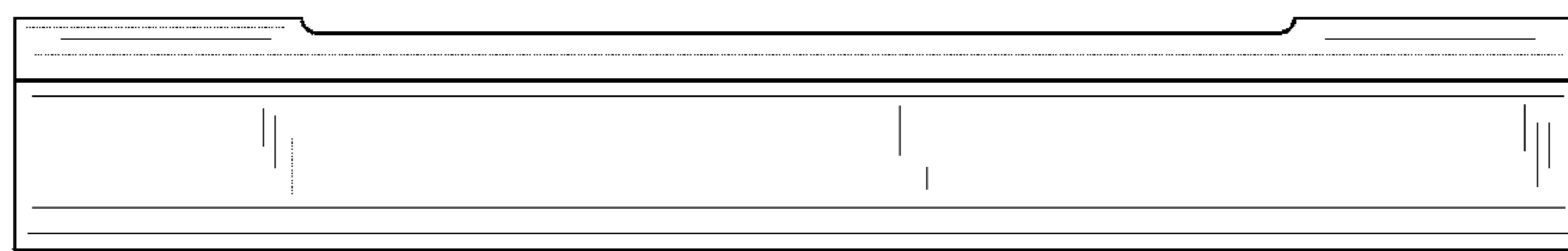


FIG. 7

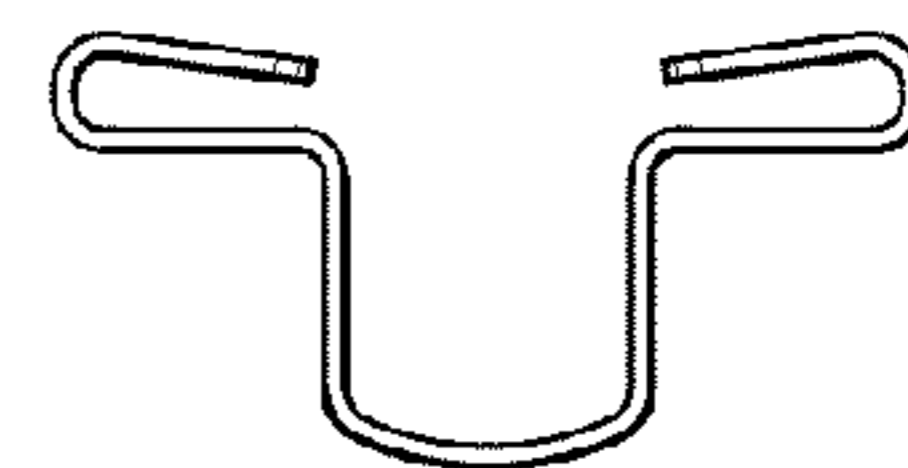


FIG. 9

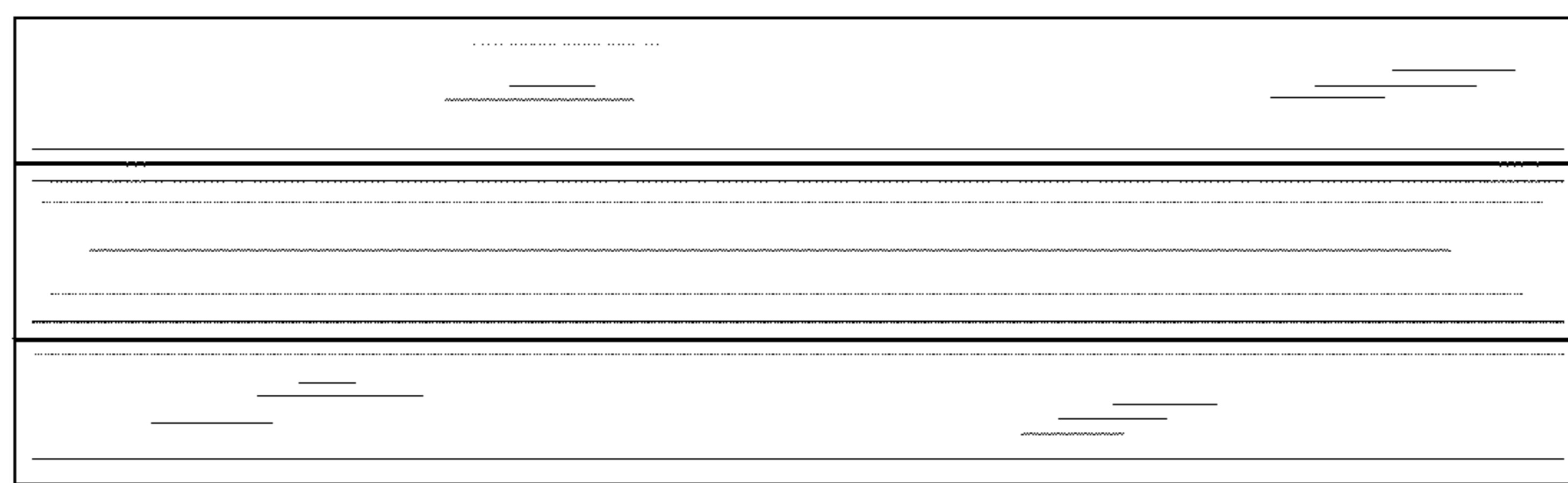


FIG. 10