



US00D656248S

(12) **United States Design Patent**  
**Atchley**

(10) **Patent No.:** **US D656,248 S**  
(45) **Date of Patent:** **\*\* Mar. 20, 2012**

(54) **ROOF RIDGE COVER**

(76) Inventor: **Mitch Atchley**, Yorba Linda, CA (US)

(\*\*) Term: **14 Years**

(21) Appl. No.: **29/377,116**

(22) Filed: **Oct. 18, 2010**

(51) **LOC (9) Cl.** ..... **25-01**

(52) **U.S. Cl.** ..... **D25/139; D25/143**

(58) **Field of Classification Search** ..... D25/139,  
D25/143; 52/41, 42, 43, 555, 554, 547, 272,  
52/255, 276, 287.1

See application file for complete search history.

(56) **References Cited**

**U.S. PATENT DOCUMENTS**

1,470,054	A	10/1923	Broughton
1,653,847	A	12/1927	Greenstreet
1,861,998	A	6/1932	Bennett
1,963,583	A	6/1934	Jenkins
2,160,642	A	5/1939	Bumpas et al.
2,255,247	A	5/1941	Gabriel
2,725,832	A	12/1955	Huntington
3,073,235	A	1/1963	Smith et al.
3,114,218	A	12/1963	Macquere
3,164,929	A	1/1965	Boddie
3,731,438	A	5/1973	Kough
3,760,546	A	9/1973	Martin et al.
3,953,946	A	5/1976	Peters et al.
4,015,374	A	4/1977	Epstein et al.

4,015,391	A	4/1977	Epstein et al.
4,024,685	A	5/1977	Aarons
4,322,924	A	4/1982	Cooper
4,554,862	A	11/1985	Wolfert
4,685,265	A	8/1987	Cooper
4,788,801	A	12/1988	Jones
5,636,490	A	6/1997	Stocksieker
5,881,501	A	3/1999	Guffey
7,178,294	B2 *	2/2007	Jolitz ..... 52/43
D569,014	S *	5/2008	Coates ..... D25/139

\* cited by examiner

*Primary Examiner* — Doris Clark

(74) *Attorney, Agent, or Firm* — Kirk A. Buhler; Buhler & Associates

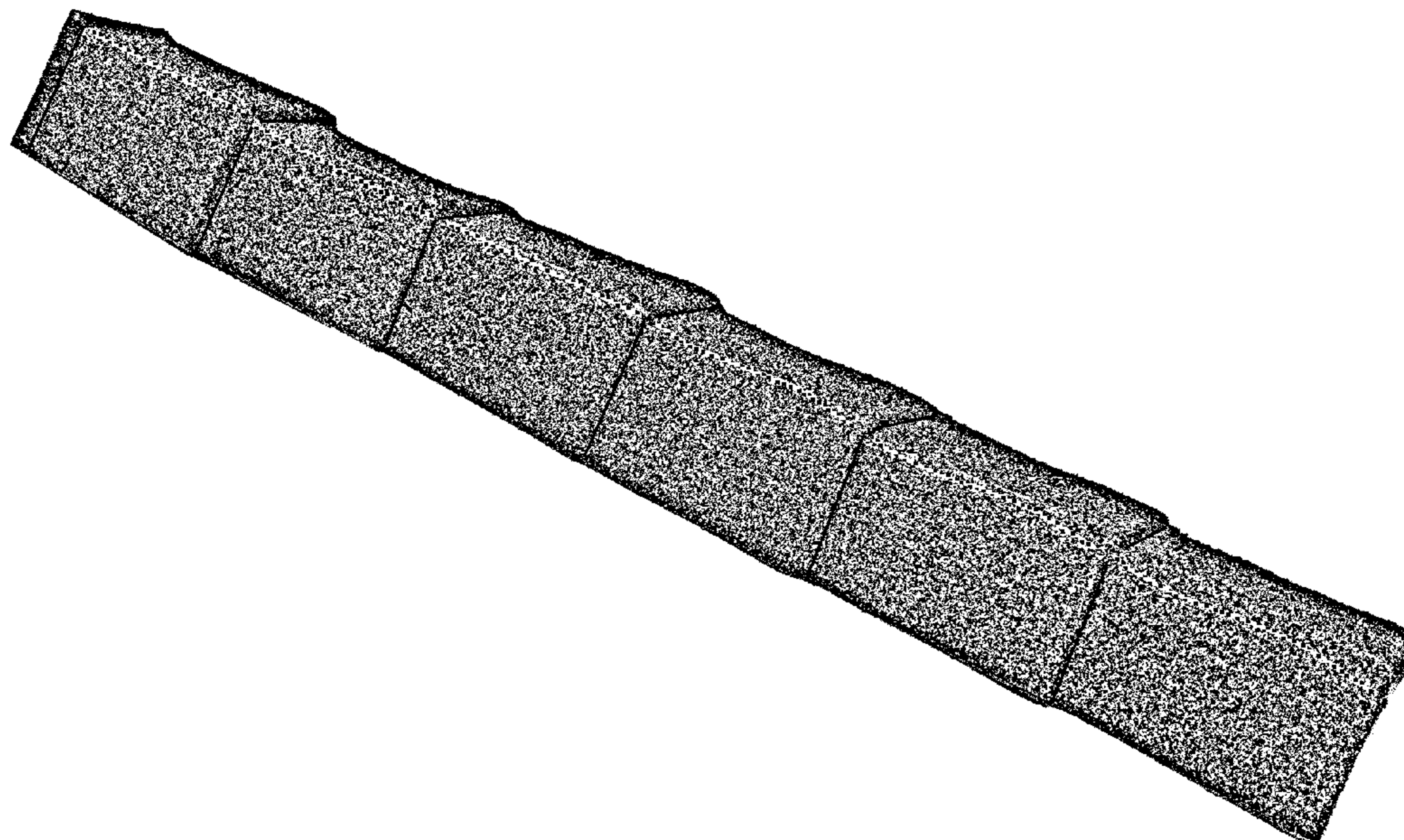
(57) **CLAIM**

The ornamental design for a roof ridge cover, as shown and described.

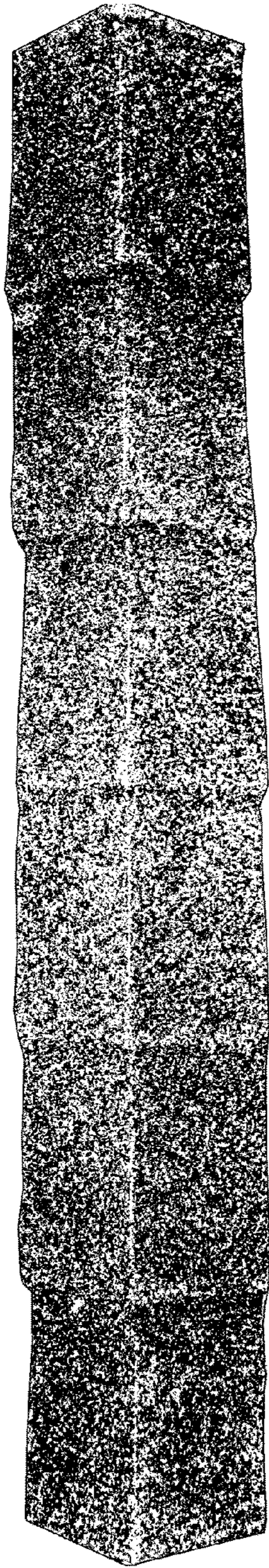
**DESCRIPTION**

FIG. 1 is a top perspective view for a roof ridge cover showing my new design;  
FIG. 2 is a bottom perspective view thereof;  
FIG. 3 is a right perspective view thereof;  
FIG. 4 is a left perspective view thereof;  
FIG. 5 is a front elevation view thereof;  
FIG. 6 is a back elevation view thereof;  
FIG. 7 is a bottom front perspective view thereof;  
FIG. 8 is a top front perspective view thereof; and,  
FIG. 9 is a top back perspective view thereof.

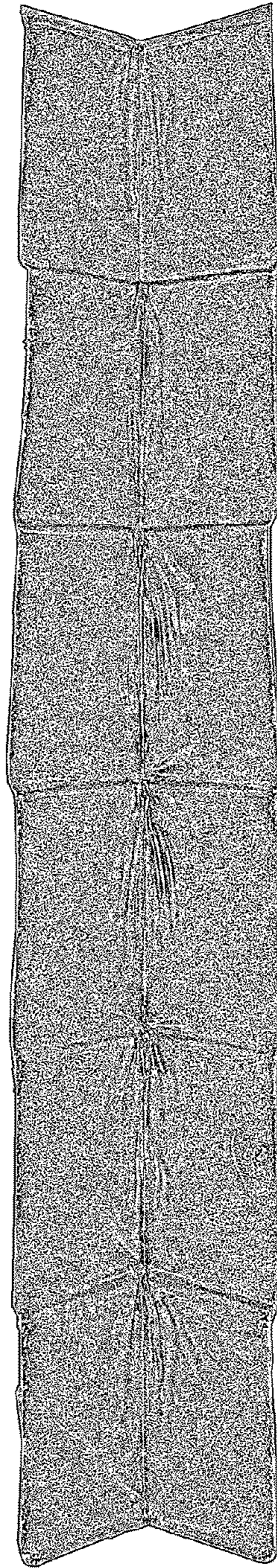
**1 Claim, 4 Drawing Sheets**





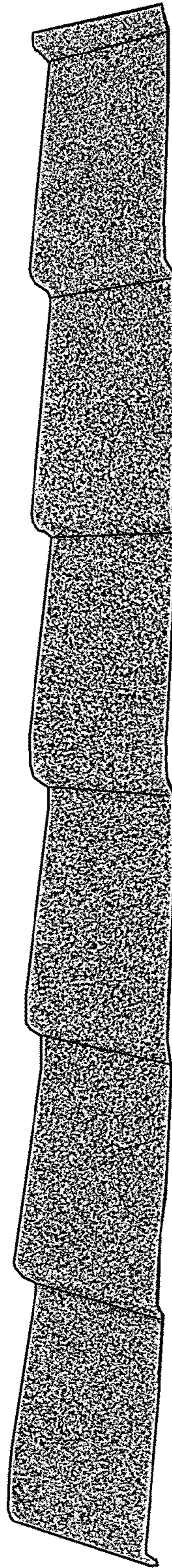


**FIG. 1**

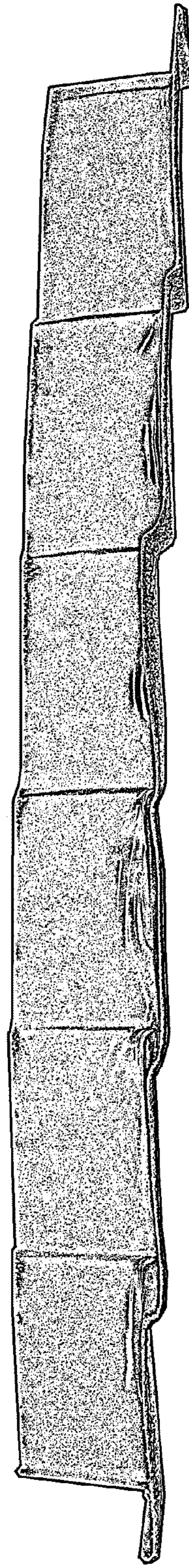


**FIG. 2**



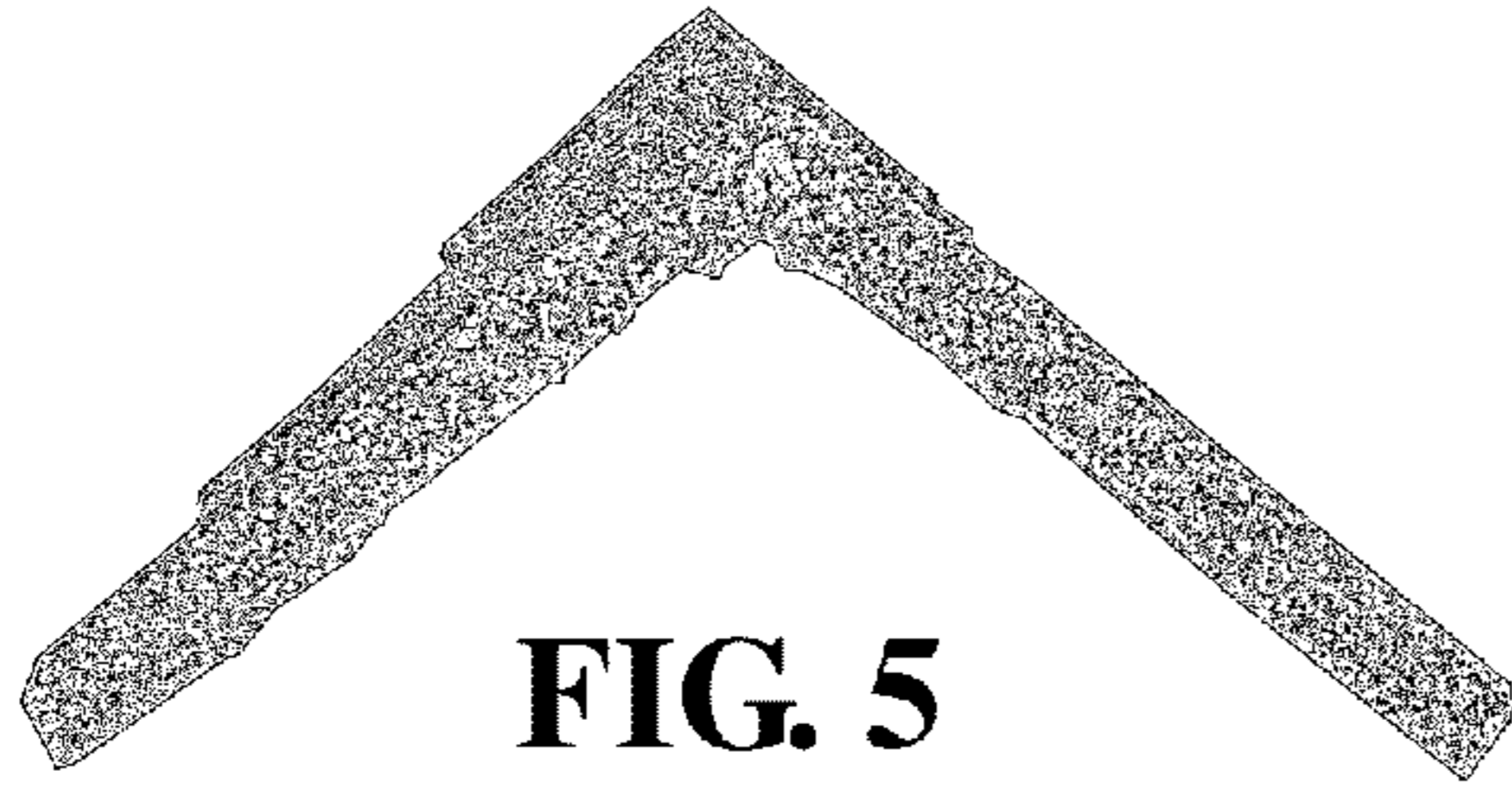


**FIG. 3**

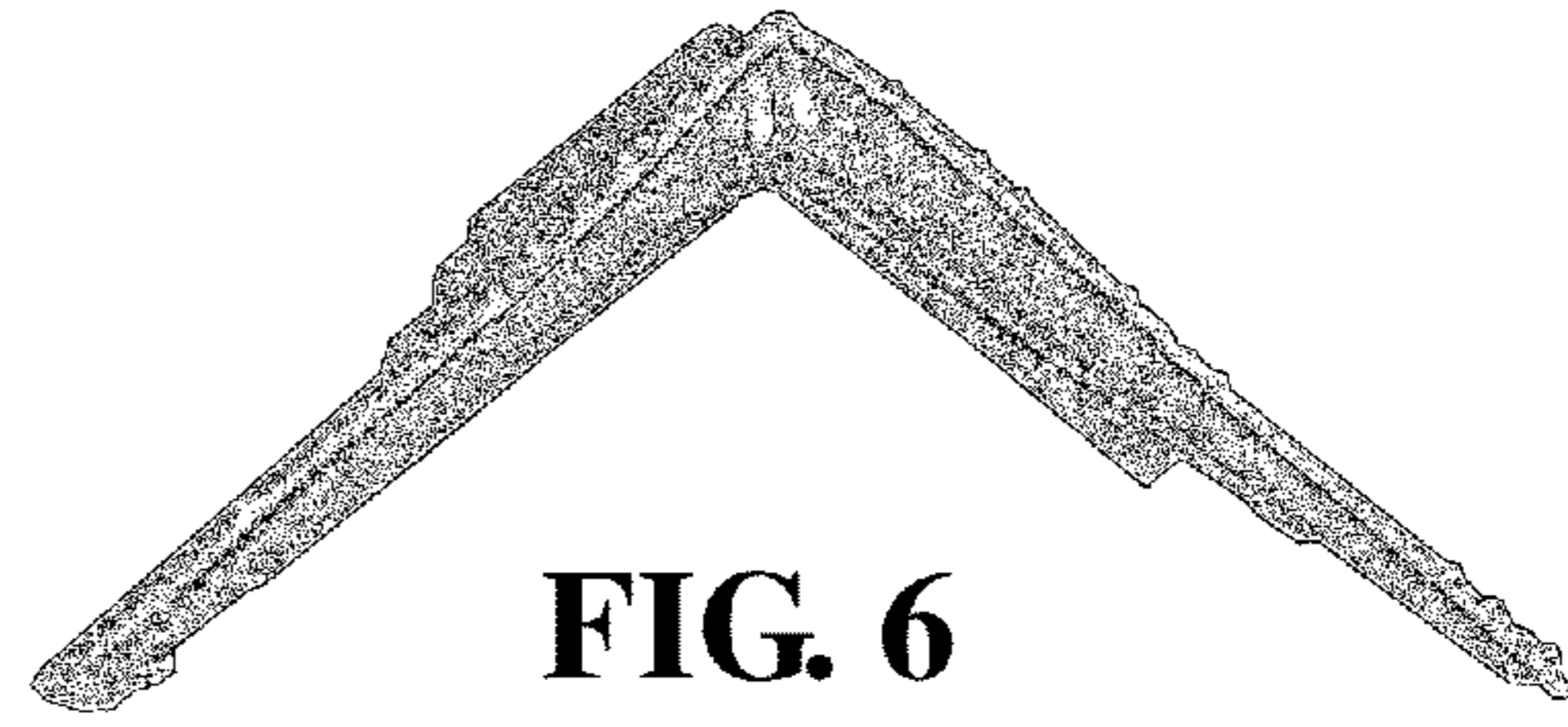


**FIG. 4**

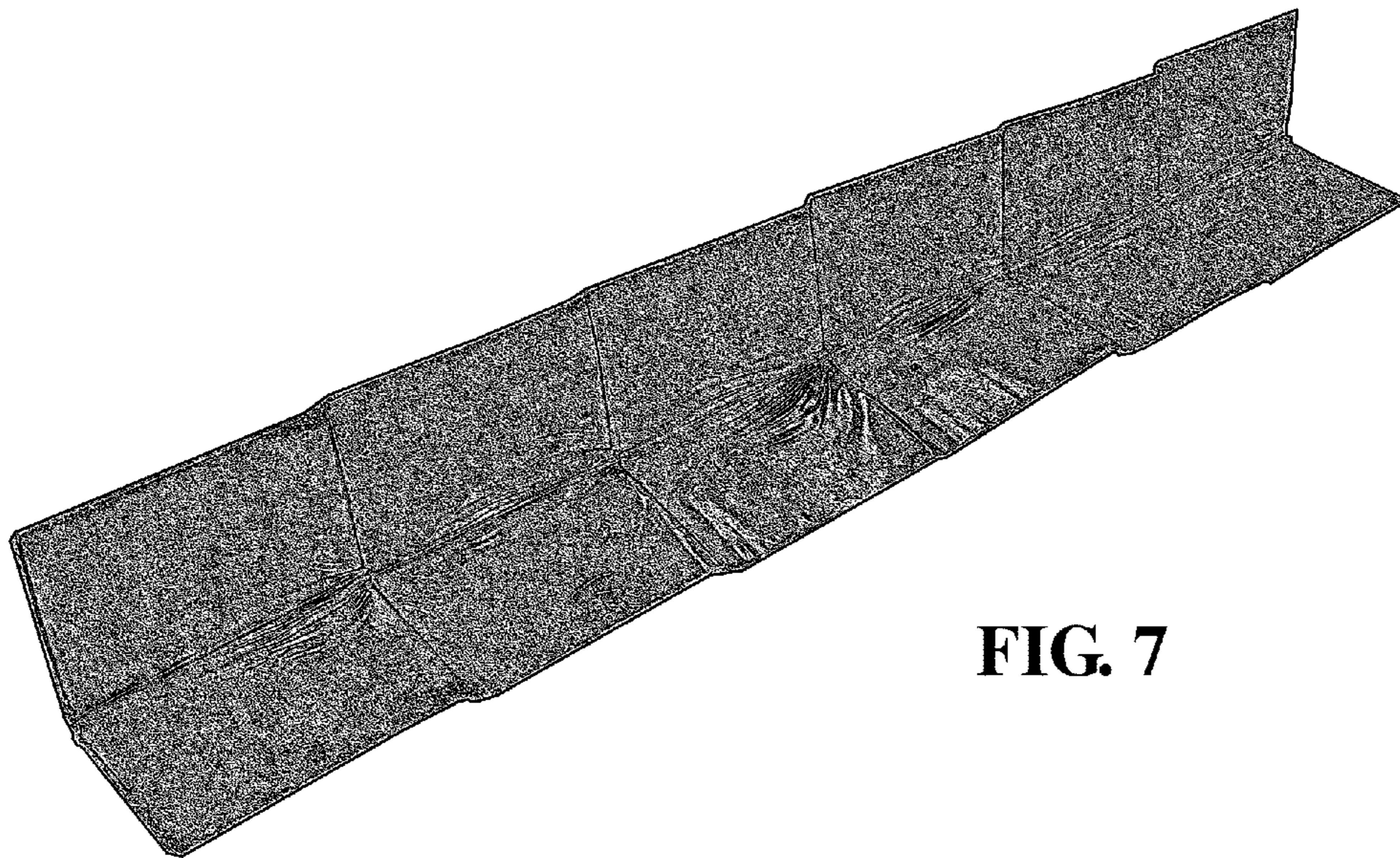




**FIG. 5**

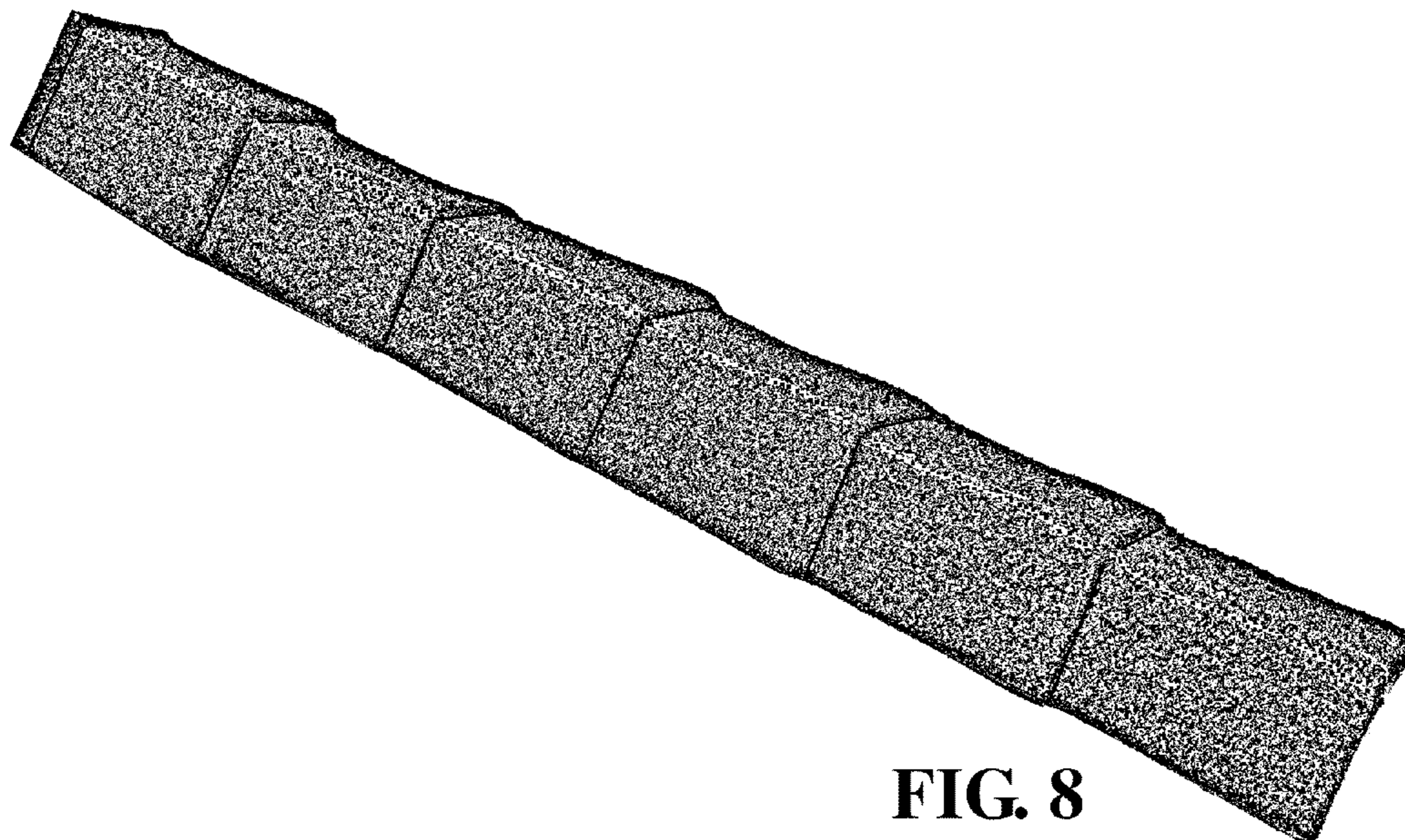


**FIG. 6**

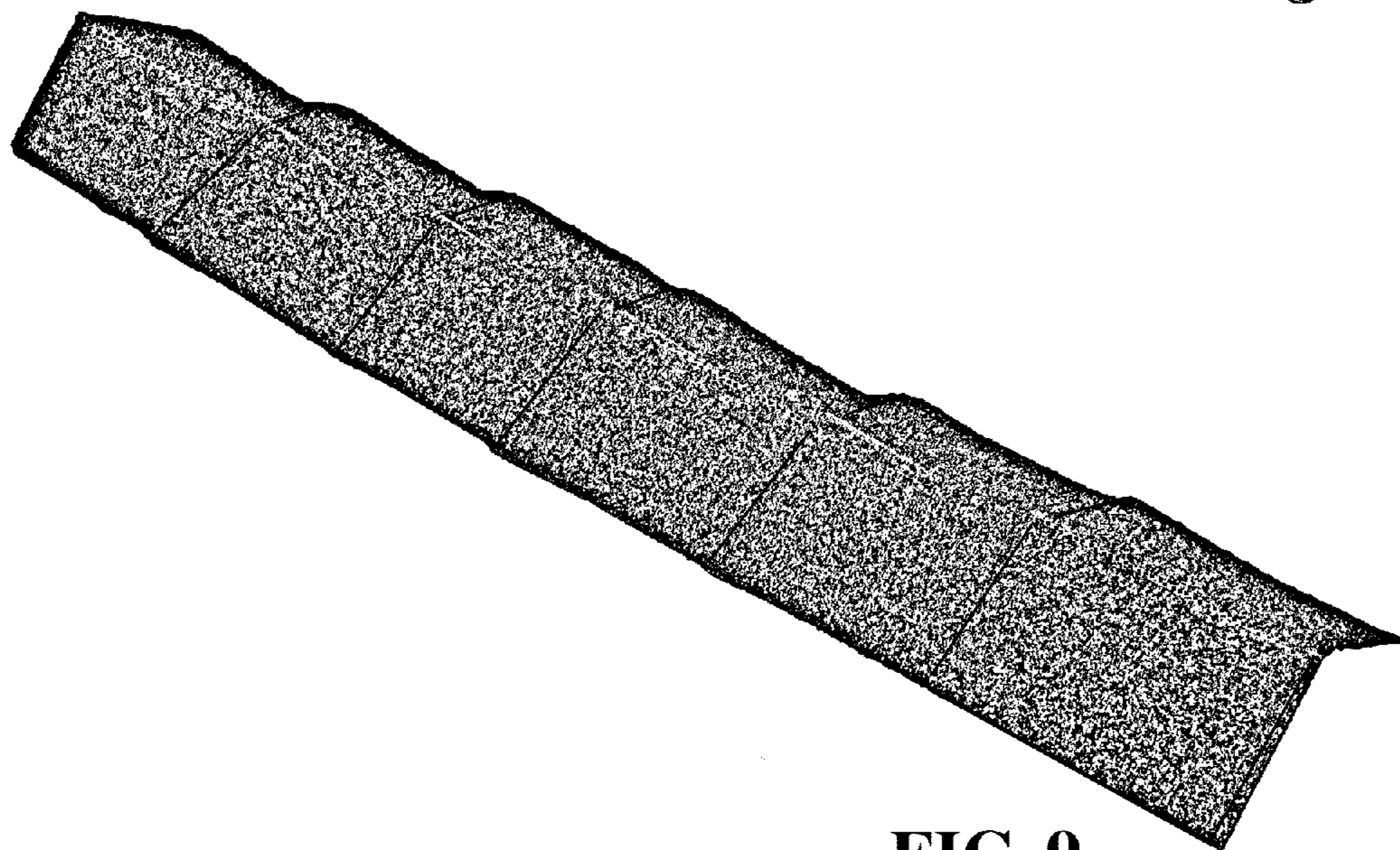


**FIG. 7**





**FIG. 8**



**FIG. 9**