



US00D656247S

(12) **United States Design Patent**  
**De Lucchi**

(10) **Patent No.:** **US D656,247 S**  
(45) **Date of Patent:** **\*\* Mar. 20, 2012**

(54) **PARQUET**

(75) Inventor: **Michele De Lucchi**, Angera (IT)

(73) Assignee: **Margaritelli S.p.A.**, Torgiano (IT)

(\*\*) Term: **14 Years**

(21) Appl. No.: **29/370,447**

(22) Filed: **Jul. 16, 2010**

(30) **Foreign Application Priority Data**

Jan. 20, 2010 (EM) ..... 001659061-0001

(51) **LOC (9) Cl.** ..... **25-01**

(52) **U.S. Cl.** ..... **D25/138**

(58) **Field of Classification Search** ..... D25/138,  
D25/150; 52/384, 389, 390, 392, 403.1,  
52/314, 602, 605, 608, 609

See application file for complete search history.

(56) **References Cited**

U.S. PATENT DOCUMENTS

6,799,402 B2 \* 10/2004 Faxe et al. .... 52/390  
D528,671 S \* 9/2006 Grafenauer ..... D25/138  
7,757,449 B2 \* 7/2010 Portoles Ibanez et al. .... 52/384  
2003/0019174 A1 \* 1/2003 Bolduc ..... 52/290  
2006/0254171 A1 \* 11/2006 Bostock ..... 52/392  
\* cited by examiner

*Primary Examiner* — Doris Clark

(74) *Attorney, Agent, or Firm* — Lowe Hauptman Ham & Berner, LLP

(57) **CLAIM**

The ornamental design for a parquet, as shown.

**DESCRIPTION**

FIG. 1 is a perspective view of the parquet showing my new design.

FIG. 2 is a front elevational view thereof.

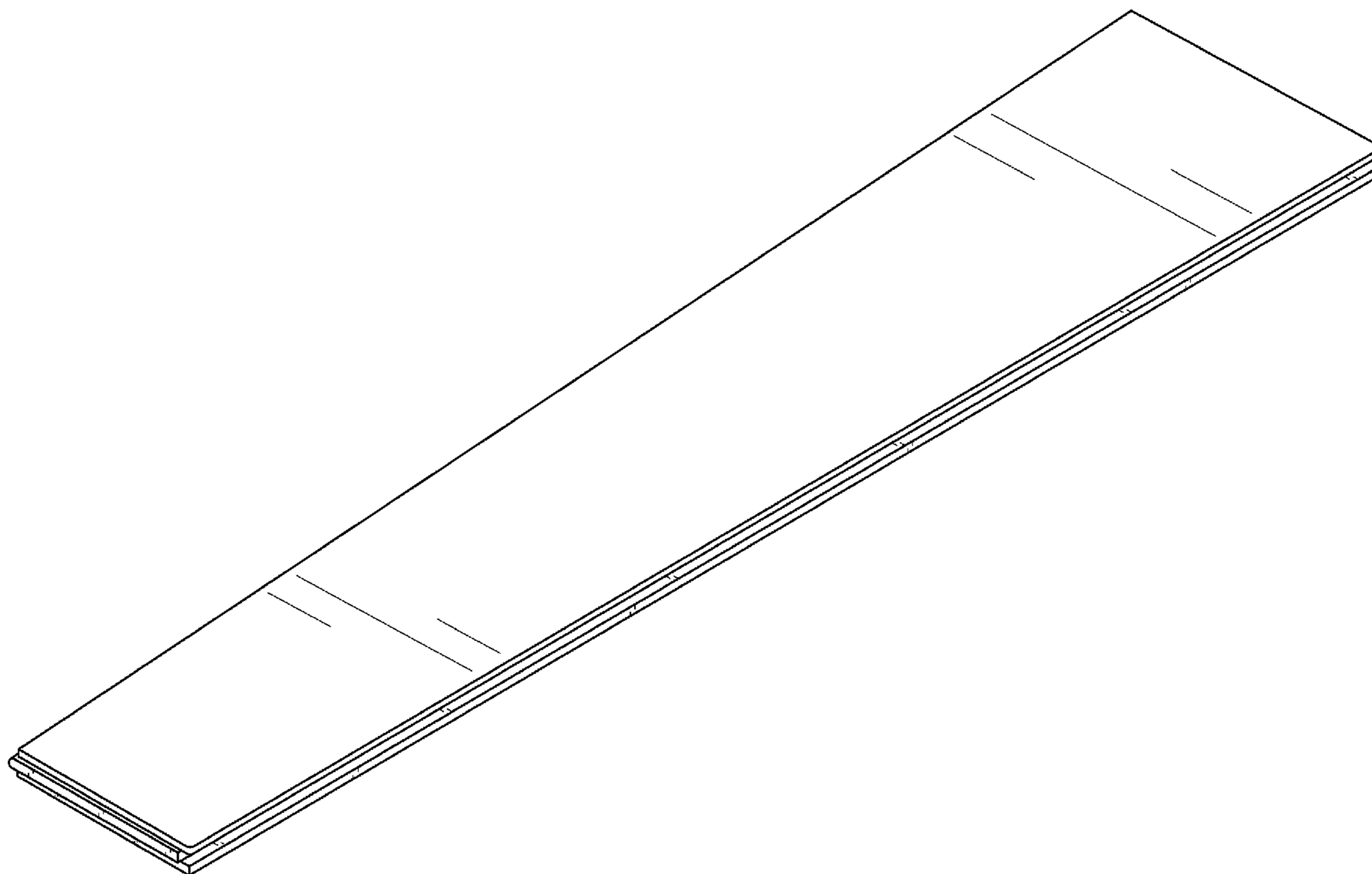
FIG. 3 is a left side elevational view thereof.

FIG. 4 is a right side elevational view thereof.

FIG. 5 is a bottom plan elevational view thereof; and,

FIG. 6 is a top plan elevational view thereof.

**1 Claim, 4 Drawing Sheets**



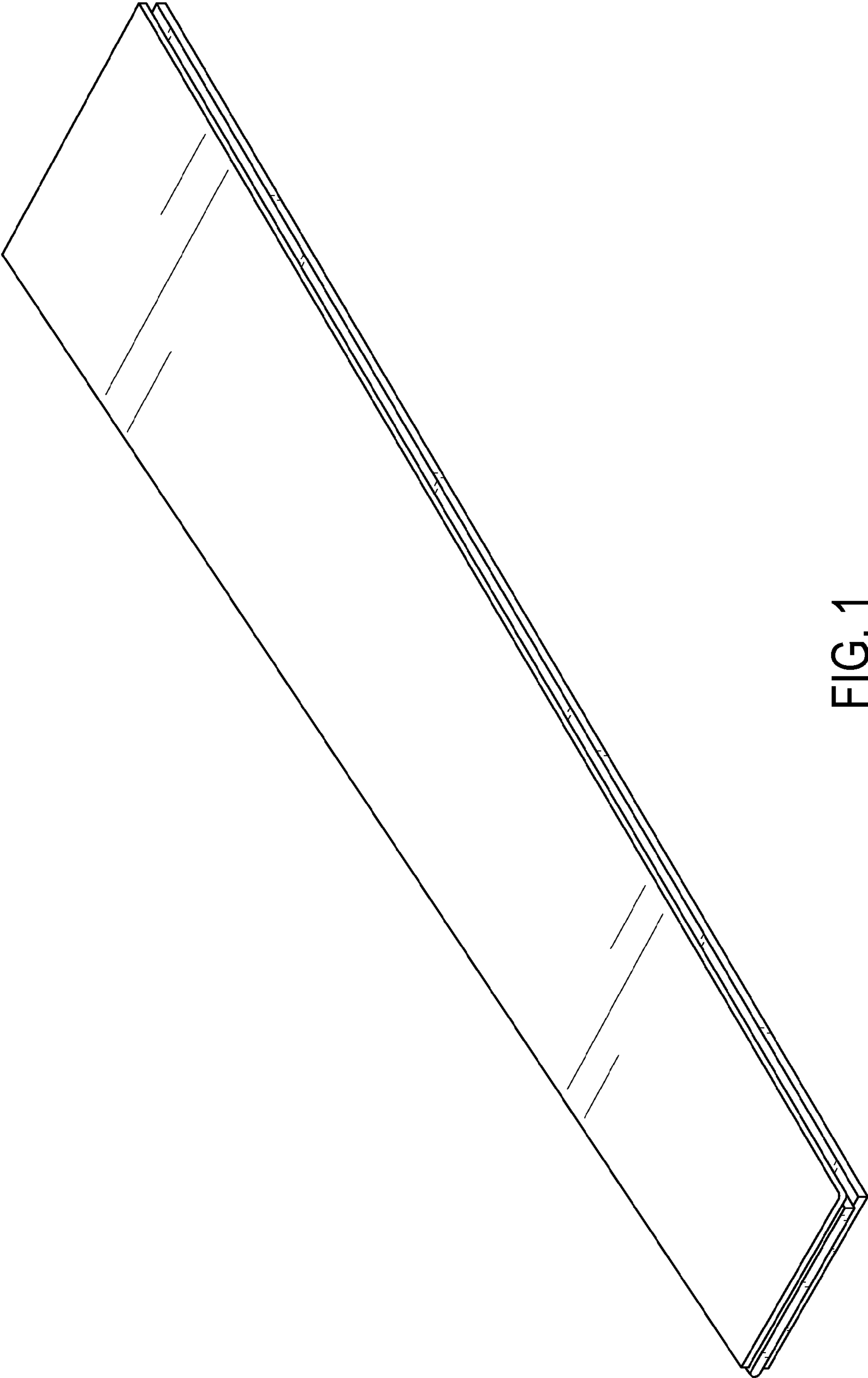


FIG. 1

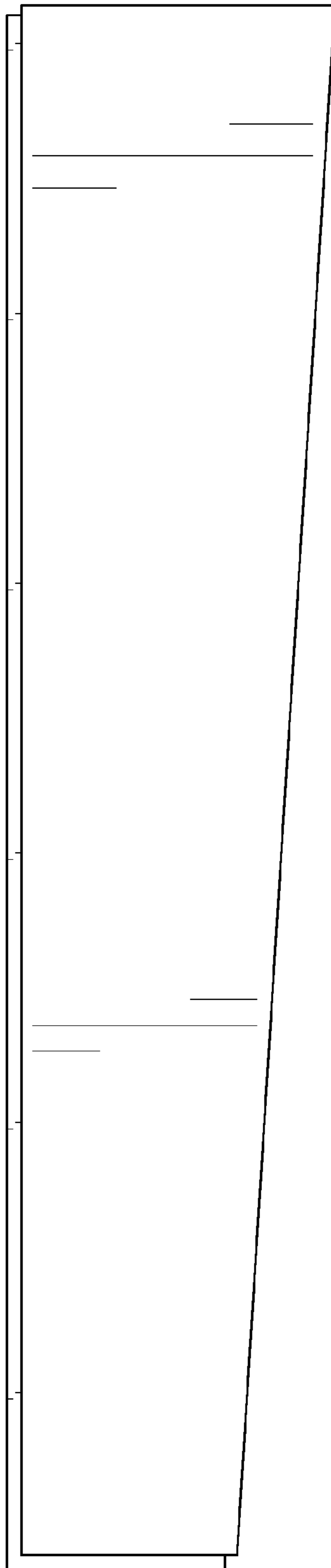


FIG. 2



FIG. 3



FIG. 4

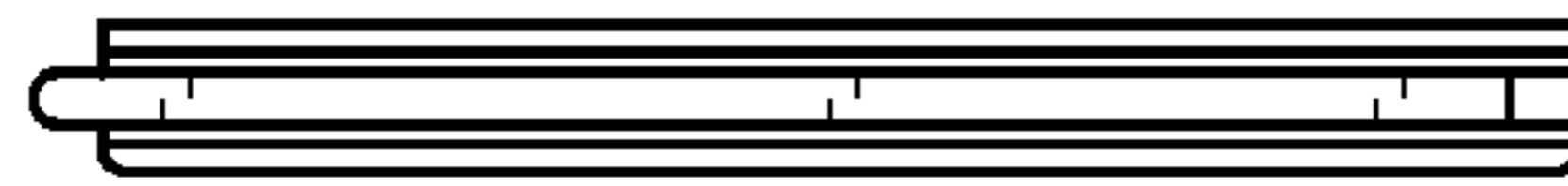


FIG. 5



FIG. 6