



US00D656244S

(12) **United States Design Patent**
MacDonald et al.

(10) **Patent No.:** **US D656,244 S**
(45) **Date of Patent:** **** Mar. 20, 2012**

- (54) **LANDSCAPING BLOCK**
- (75) Inventors: **Robert A. MacDonald**, Plymouth, MN (US); **Stephen Tyson Homeyer**, Argyle, TX (US)
- (73) Assignee: **Keystone Retaining Wall Systems, Inc.**, Bloomington, MN (US)
- (**) Term: **14 Years**
- (21) Appl. No.: **29/386,476**
- (22) Filed: **Mar. 1, 2011**
- (51) **LOC (9) Cl.** **25-01**
- (52) **U.S. Cl.** **D25/113**
- (58) **Field of Classification Search** D25/102-118, D25/136, 138, 140, 151, 152, 153, 156-162, D25/164; D21/484-491, 499-504; 405/16, 405/284, 286; 52/503-505, 574, 575, 596-612; 404/27-42
See application file for complete search history.

- D397,802 S 9/1998 Terry
- D397,808 S 9/1998 Dawson
- D399,978 S 10/1998 Barth et al.
- 5,865,006 A 2/1999 Dawson
- 5,884,445 A 3/1999 Woolford
- 5,902,069 A 5/1999 Barth et al.
- 5,913,790 A 6/1999 Dawson
- D430,308 S 8/2000 Dawson
- D431,305 S 9/2000 Barth et al.
- D431,870 S * 10/2000 Ziegler, Jr. D25/113
- 6,149,352 A 11/2000 MacDonald
- D434,857 S 12/2000 Scheiwiller
- D439,677 S 3/2001 Mattox
- D442,703 S 5/2001 Fifield
- D451,208 S * 11/2001 Falconer D25/113

(Continued)

OTHER PUBLICATIONS

U.S. Appl. No. 13/039,924, filed Mar. 3, 2011 (62 pages).

(Continued)

Primary Examiner — Anhdao Doan
(74) *Attorney, Agent, or Firm* — Popovich, Wiles & O'Connell, P.A.

(56) **References Cited**

U.S. PATENT DOCUMENTS

- 774,174 A * 11/1904 Hawkinson D25/160
- D207,055 S * 2/1967 Gorka D25/160
- D278,934 S 5/1985 Scheiwiller
- 4,627,764 A 12/1986 Scheiwiller
- 4,773,790 A 9/1988 Hagenah
- 5,051,023 A 9/1991 Yoshida et al.
- 5,230,584 A 7/1993 Grossman
- 5,281,047 A 1/1994 Skaug
- 5,466,089 A 11/1995 Jurik
- 5,496,129 A 3/1996 Dubé
- 5,503,498 A 4/1996 Scheiwiller
- 5,533,827 A 7/1996 Scheiwiller
- 5,568,994 A 10/1996 Dawson
- 5,601,384 A 2/1997 Dawson
- D380,560 S 7/1997 Forsberg
- D381,086 S 7/1997 Forsberg
- D384,168 S 9/1997 Stevenson
- D387,434 S 12/1997 Dawson
- D397,230 S 8/1998 Forsberg

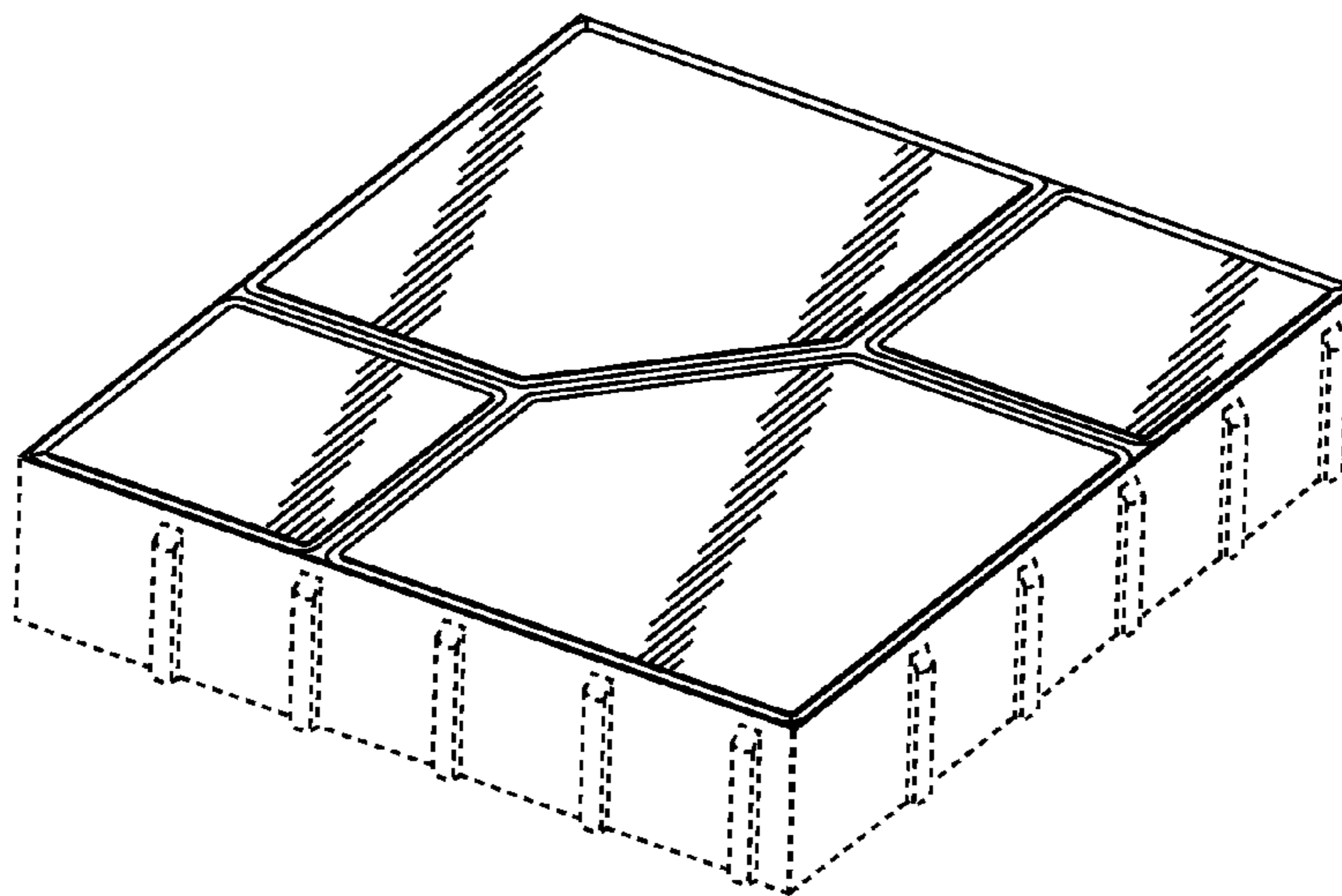
(57) **CLAIM**

The ornamental design for a landscaping block, as shown and described.

DESCRIPTION

FIG. 1 is a front perspective view of a landscaping block; FIG. 2 is a front elevational view thereof; FIG. 3 is a rear elevational view thereof; FIG. 4 is a top plan view thereof; FIG. 5 is a bottom plan view thereof; FIG. 6 is a left side elevational view thereof; and, FIG. 7 is a right side elevational view thereof. The broken lines in the drawing views are included for the purpose of illustrating portions of the landscaping block that form no part of the claimed design.

1 Claim, 2 Drawing Sheets



US D656,244 S

Page 2

U.S. PATENT DOCUMENTS

D464,147 S 10/2002 Van Cauwenbergh
6,536,988 B2 3/2003 Geiger
6,536,994 B2 3/2003 Race
6,615,561 B2 9/2003 MacDonald et al.
D488,242 S 4/2004 MacDonald
D488,568 S 4/2004 MacDonald
D488,569 S 4/2004 Dawson
D490,542 S 5/2004 MacDonald
6,821,058 B1 11/2004 Dawson
D501,935 S 2/2005 Dawson et al.
6,854,231 B2 2/2005 MacDonald et al.
D505,733 S 5/2005 Castonguay et al.
6,939,077 B1 9/2005 Hart
D510,443 S 10/2005 Von Langsdorff
D511,012 S 10/2005 Von Langsdorff
D521,592 S 5/2006 Von Langsdorff
D526,066 S 8/2006 Schneider
7,160,052 B2 1/2007 Weiss, Jr. et al.
7,168,218 B2 1/2007 Spratlen et al.
7,168,892 B1 1/2007 MacDonald et al.
D540,954 S 4/2007 Bouchard
7,220,078 B2 5/2007 Drost et al.
D547,882 S 7/2007 Metten
D574,087 S 7/2008 Bouchard
D574,514 S 8/2008 Bouchard
D574,515 S 8/2008 Bouchard

D574,516 S 8/2008 Bouchard
D582,056 S 12/2008 Plies
D582,057 S 12/2008 Plies
D601,267 S 9/2009 Merault
D602,604 S 10/2009 Harris
D609,369 S 2/2010 Buch
D610,710 S 2/2010 LaCroix et al.
D618,364 S 6/2010 Schrom et al.
D618,823 S * 6/2010 Lallas D25/113
D621,070 S 8/2010 MacDonald et al.
7,850,394 B2 12/2010 Schröder
D639,454 S 6/2011 Thomassen
D645,980 S * 9/2011 Schrom et al. D25/113
2006/0110223 A1 5/2006 Dawson
2008/0277561 A1 11/2008 MacDonald
2008/0289282 A1 11/2008 MacDonald
2008/0307740 A1 12/2008 MacDonald
2009/0120029 A1 5/2009 LaCroix et al.
2009/0188196 A1 7/2009 MacDonald
2009/0308015 A1 12/2009 MacDonald et al.
2011/0072753 A1 3/2011 MacDonald

OTHER PUBLICATIONS

U.S. Appl. No. 13/037,685, filed Mar. 1, 2011 (59 pages).
U.S. Appl. No. 29/366,124, filed Jul. 20, 2010 (59 pages).

* cited by examiner

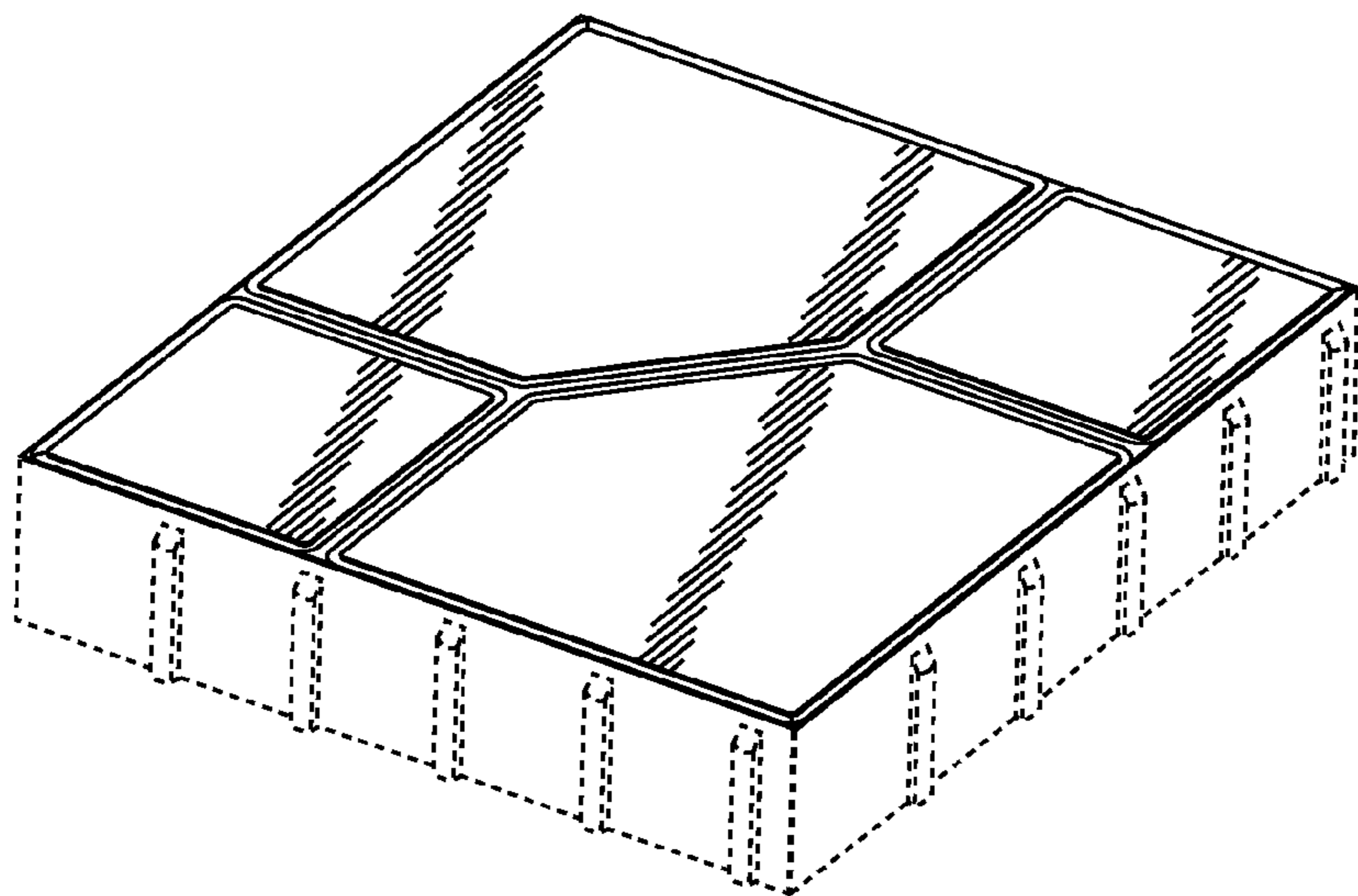


Fig. 1

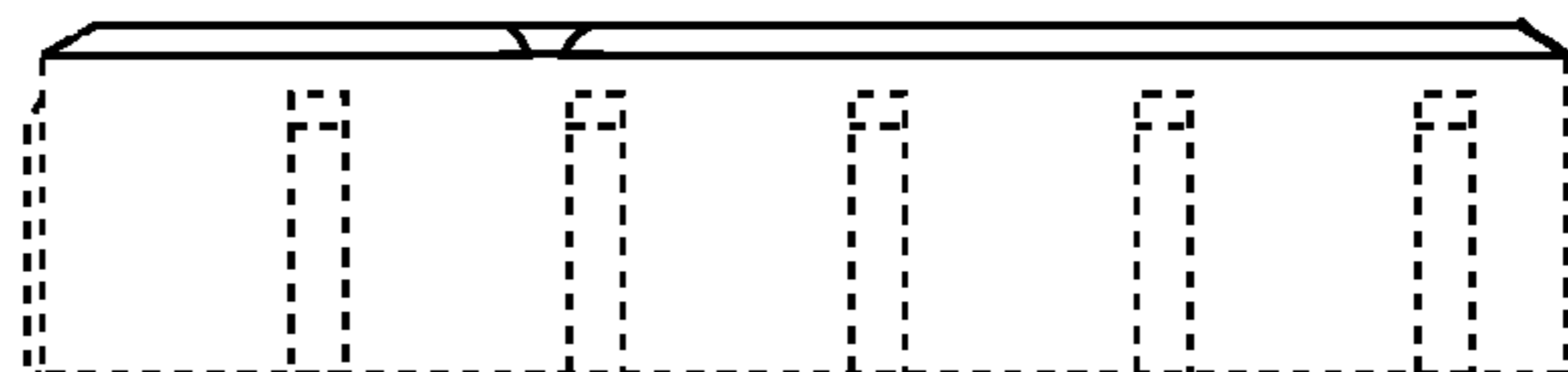


Fig. 2

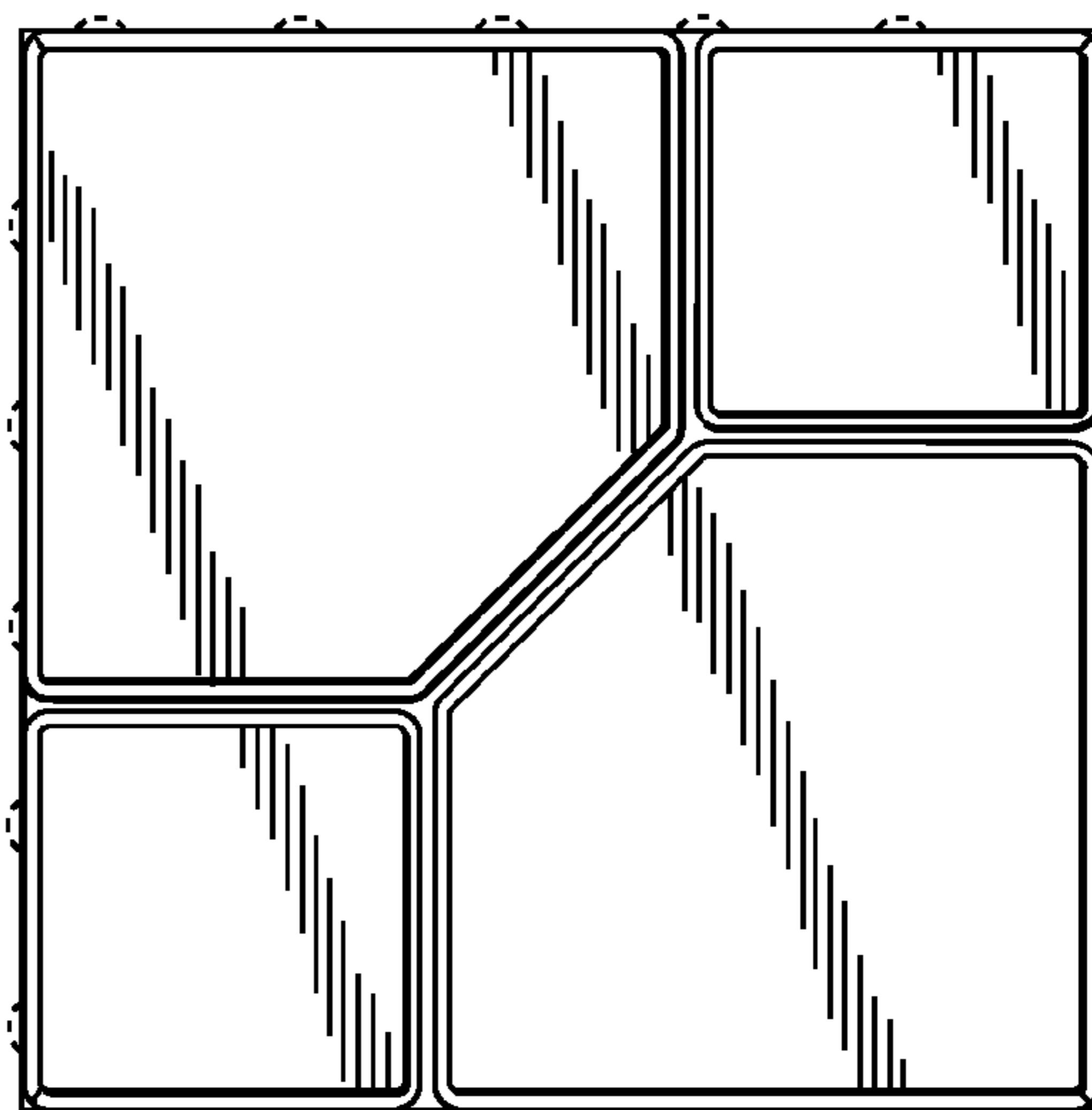


Fig. 4

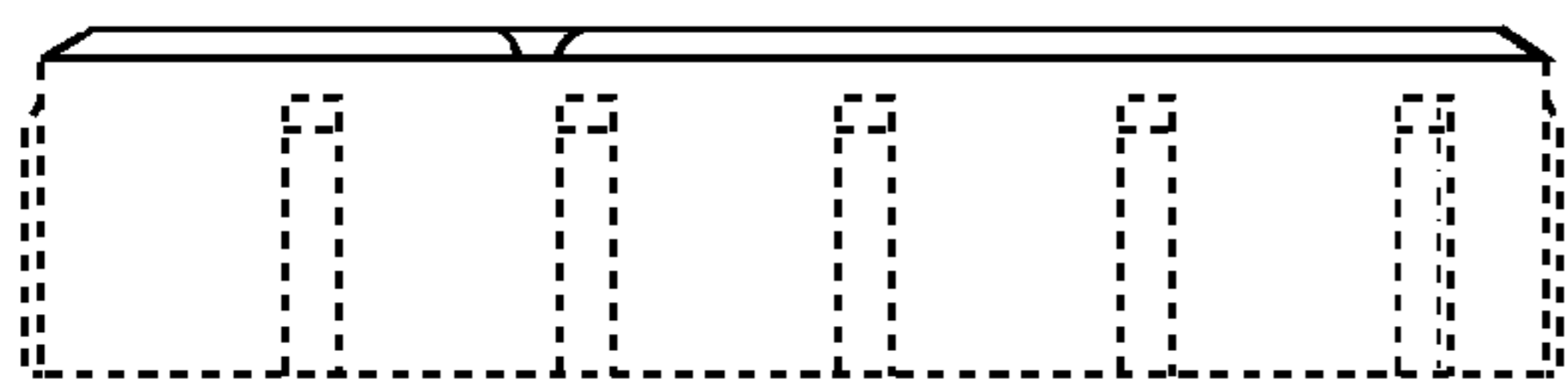


Fig. 3

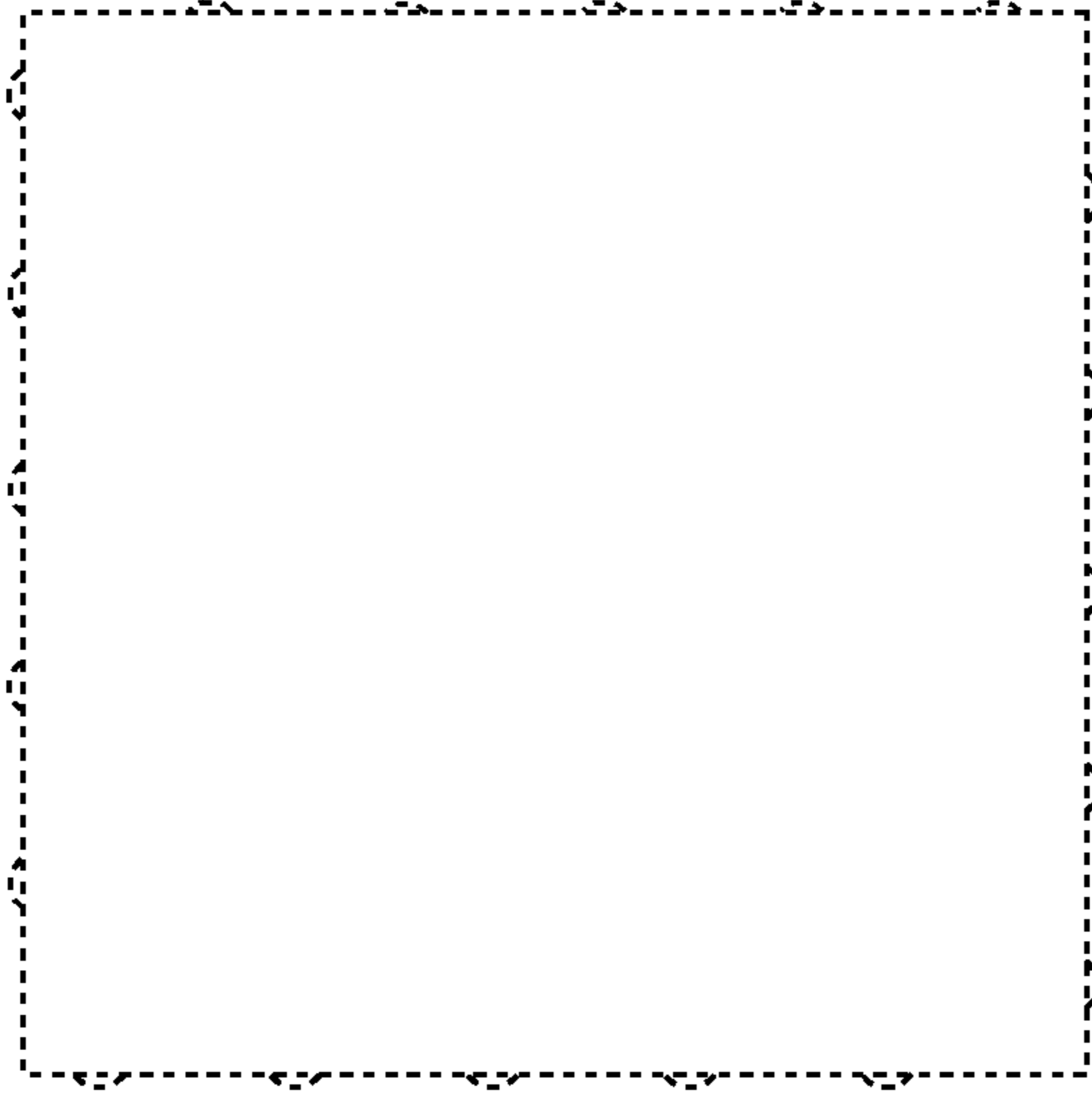


Fig. 5



Fig. 6

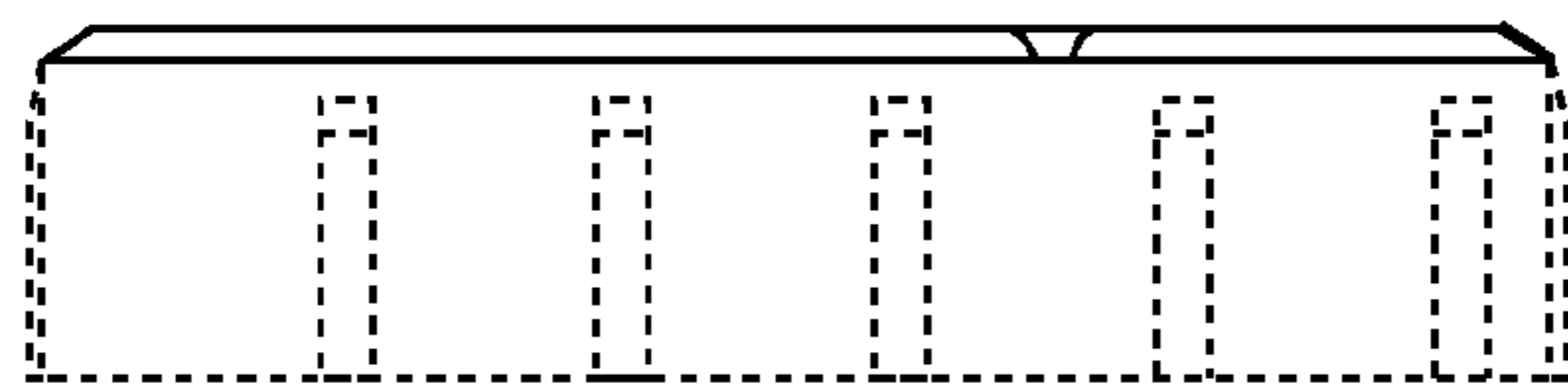


Fig. 7