



US00D656236S

(12) **United States Design Patent**
Maréchal et al.

(10) **Patent No.:** **US D656,236 S**

(45) **Date of Patent:** **** Mar. 20, 2012**

(54) **VIAL**

(75) Inventors: **Julien Maréchal**, Etterbeek (BE);
Patrick Baleriaux, Nalines (BE)

(73) Assignee: **Aseptic Technologies, S.A.**, Isnes (BE)

(**) Term: **14 Years**

(21) Appl. No.: **29/383,609**

(22) Filed: **Jan. 20, 2011**

(51) **LOC (9) Cl.** **24-01**

(52) **U.S. Cl.** **D24/224**

(58) **Field of Classification Search** D24/216-232,
D24/186, 107, 108, 121; D3/201, 203.1,
D3/203.2, 202; D10/81; D9/435, 436, 439,
D9/443, 452, 453, 454, 516, 519, 520, 522,
D9/529, 544, 545, 549, 558; 422/500, 547,
422/554, 556; 215/272, 303, 305, 316, 318,
215/379; 220/246, 254, 837; 435/288.1,
435/288.2, 304.1, 304.2

See application file for complete search history.

(56) **References Cited**

U.S. PATENT DOCUMENTS

3,269,612 A * 8/1966 Bode 222/197
D268,650 S * 4/1983 Kirstine D9/450
D298,012 S * 10/1988 Larkin et al. D24/224

4,904,450 A * 2/1990 Floyd 422/547
5,277,325 A * 1/1994 Yan 215/206
D448,290 S * 9/2001 Schultz et al. D9/503
D485,365 S * 1/2004 Py et al. D24/224
D561,032 S * 2/2008 Fuchs D9/529
D613,495 S * 4/2010 Foreman D3/203.2
D633,808 S * 3/2011 Titherington D9/503

* cited by examiner

Primary Examiner — Anhdao Doan

(74) *Attorney, Agent, or Firm* — Kirschstein, et al.

(57) **CLAIM**

The ornamental design for a vial, as shown and described.

DESCRIPTION

FIG. 1 is an exploded perspective view of a vial according to our new design;

FIG. 2 is a front elevational view of the vial of FIG. 1 partially assembled;

FIG. 3 is a front elevational view of the vial of FIG. 1 fully assembled;

FIG. 4 is a bottom plan view thereof;

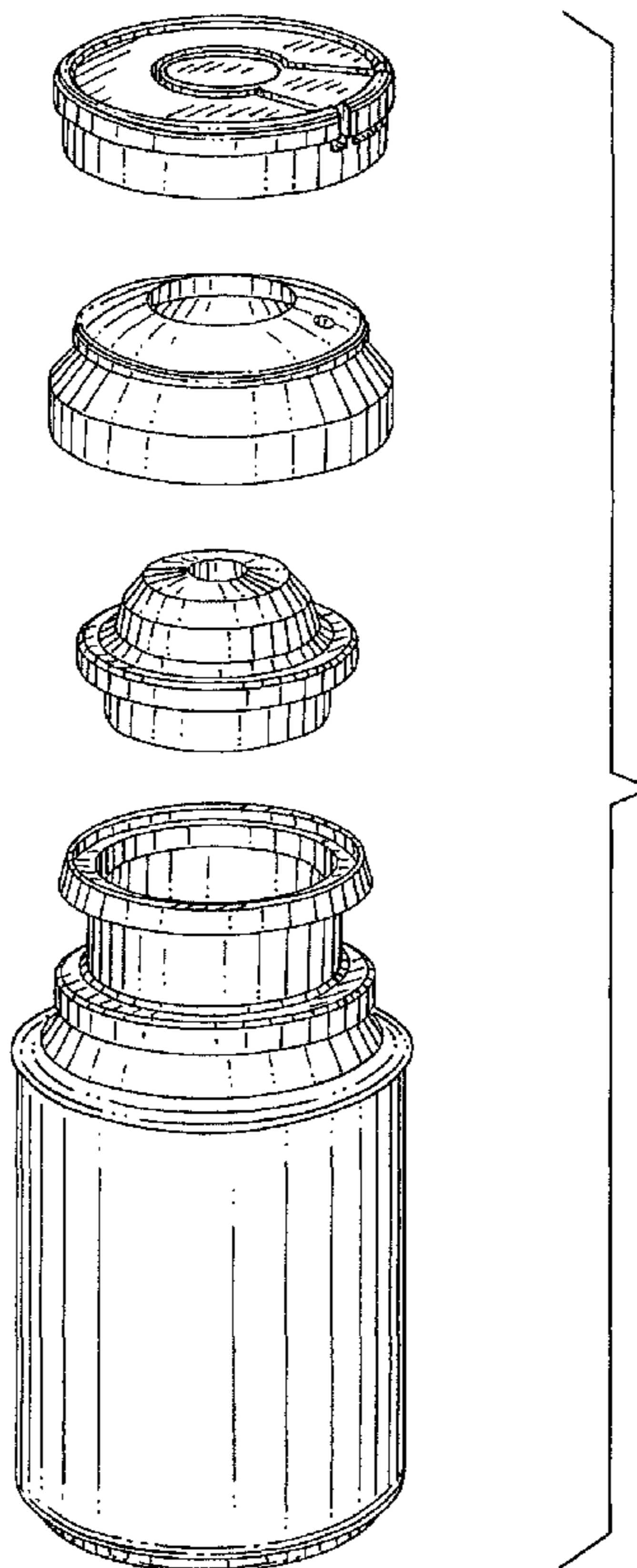
FIG. 5 is a top plan view of the partially assembled vial of FIG. 2;

FIG. 6 is a top plan view of the fully assembled vial of FIG. 3; and,

FIG. 7 is an overhead perspective view of the fully assembled vial of FIG. 3.

In the drawings, the broken lines in FIG. 4 depict portions of the design that form no part of the claim.

1 Claim, 4 Drawing Sheets



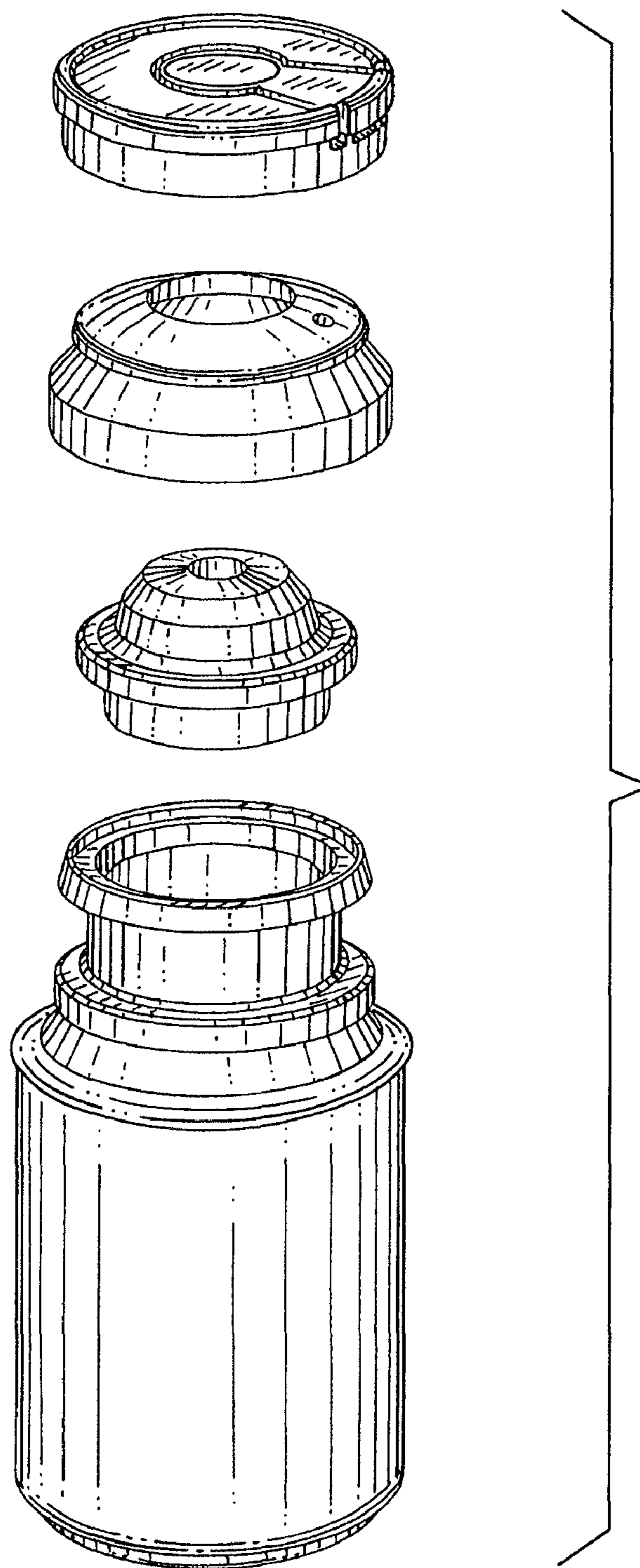


FIG. 1

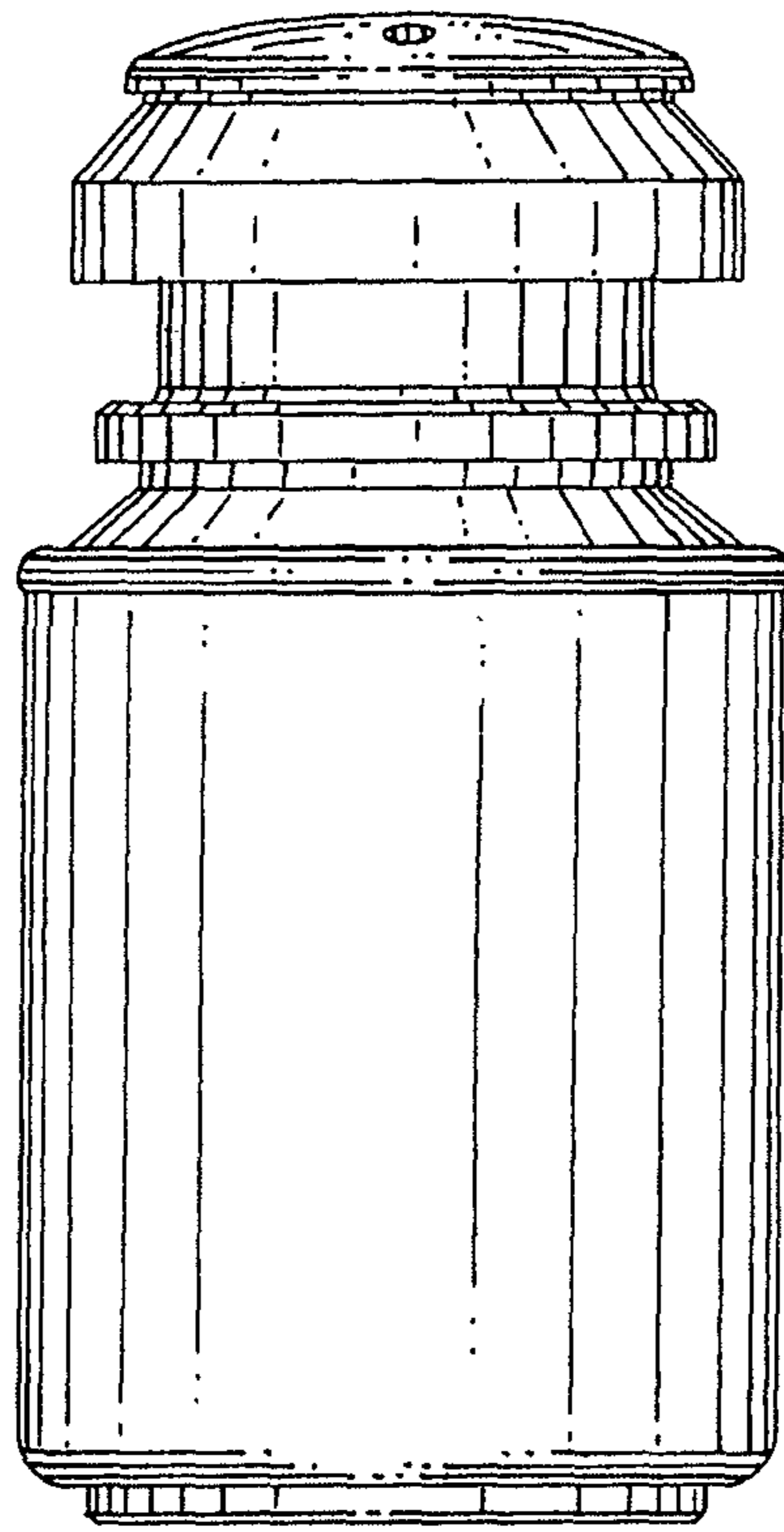


FIG. 2

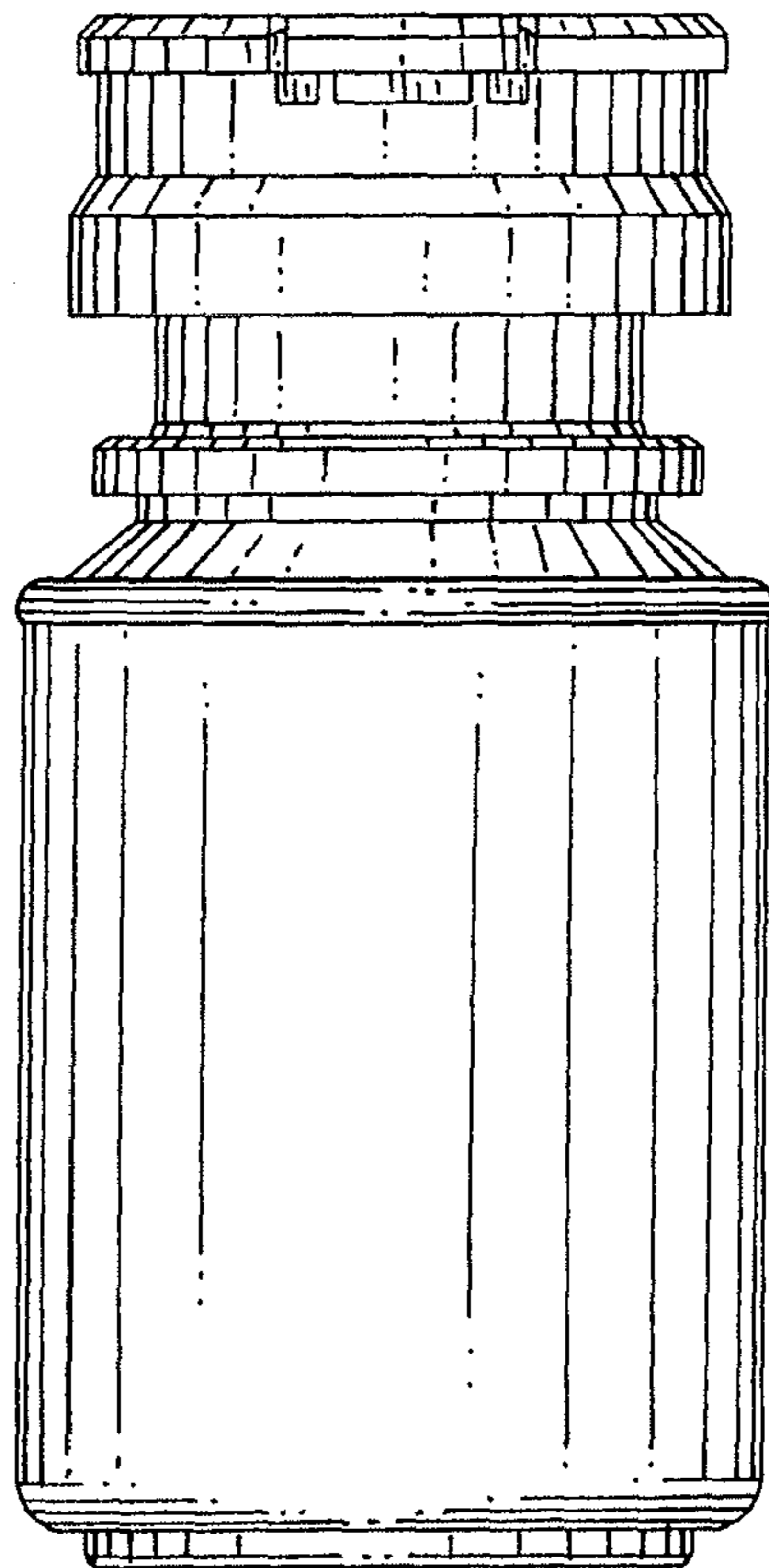


FIG. 3

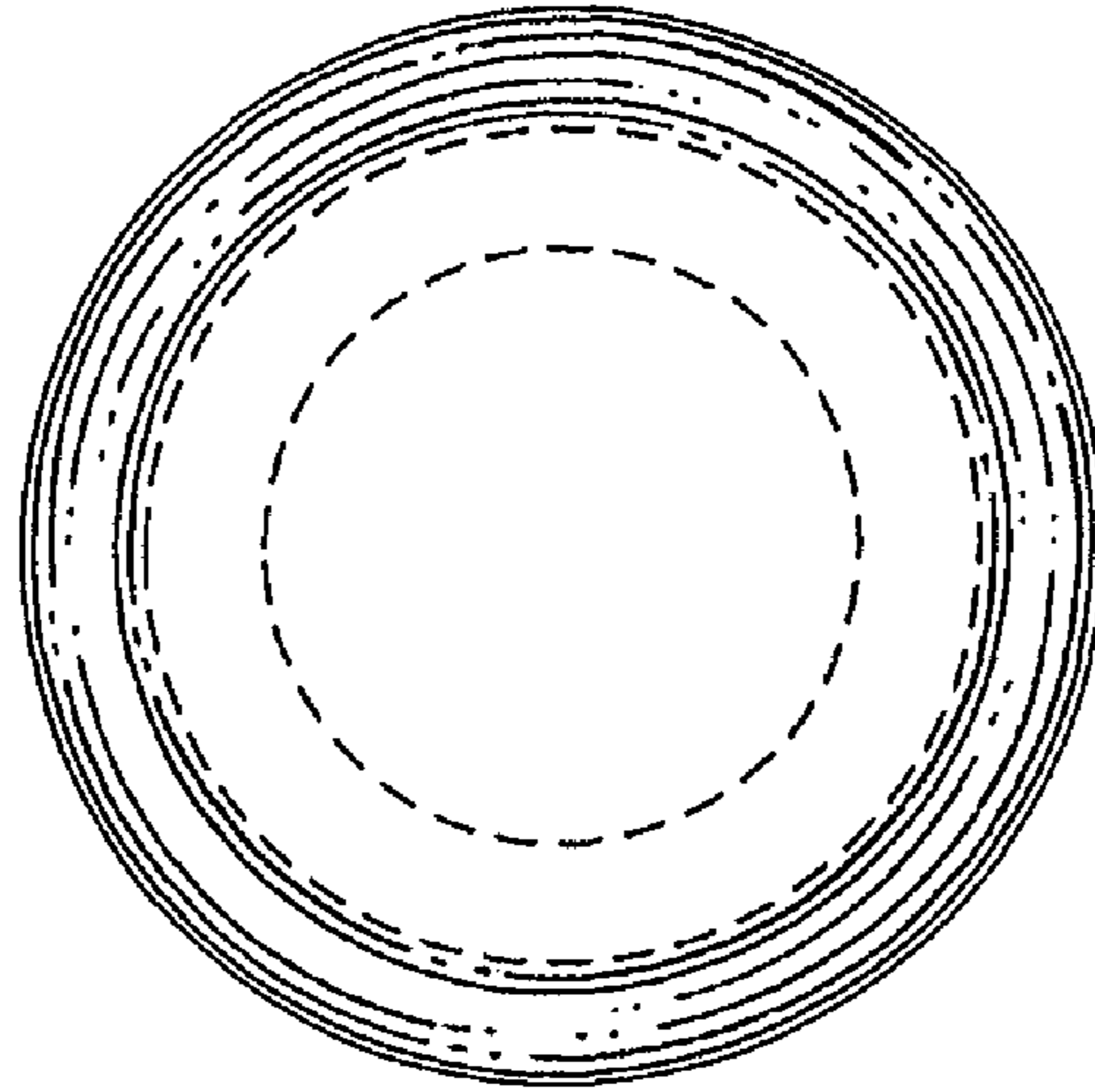


FIG. 4

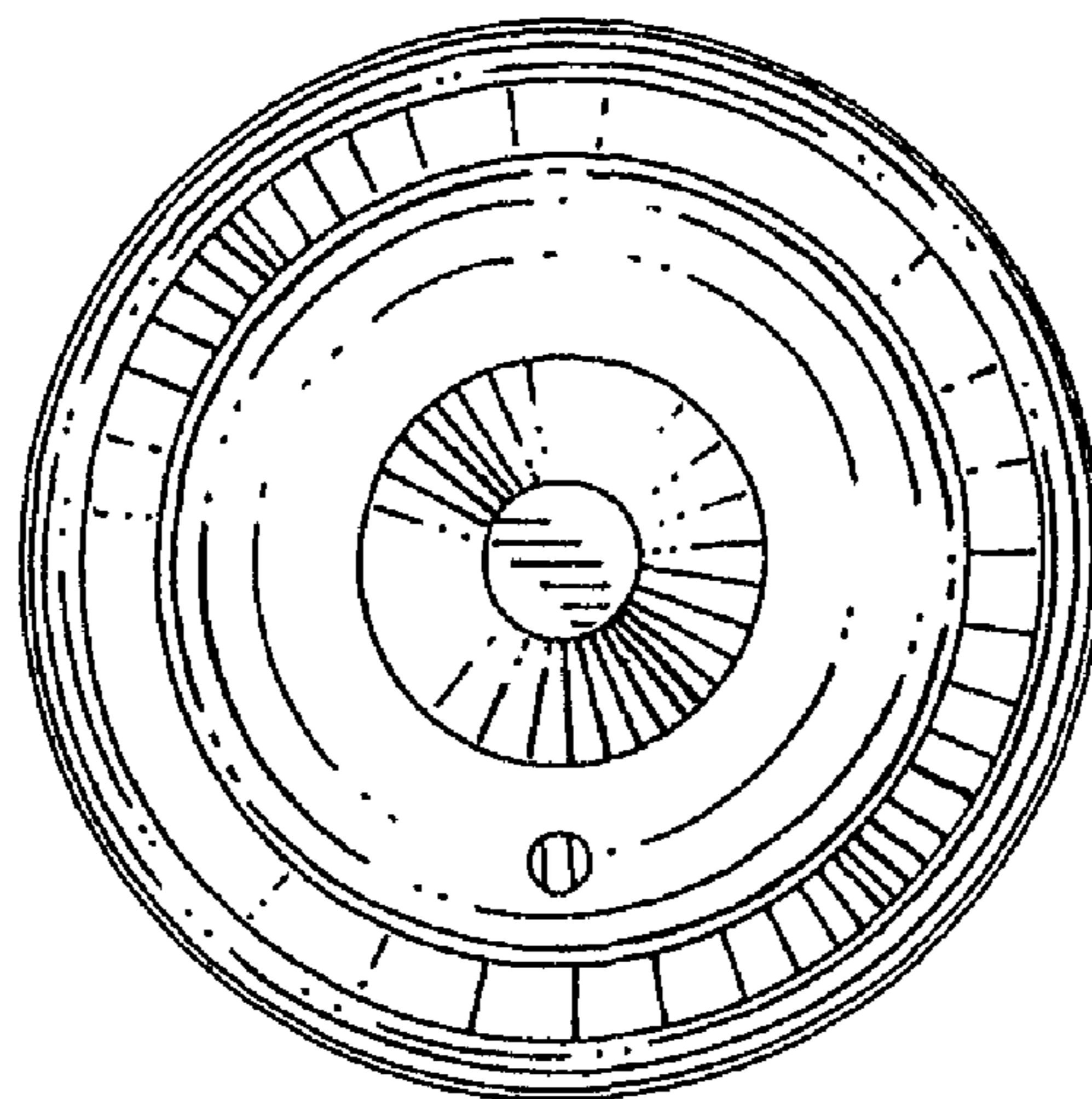


FIG. 5

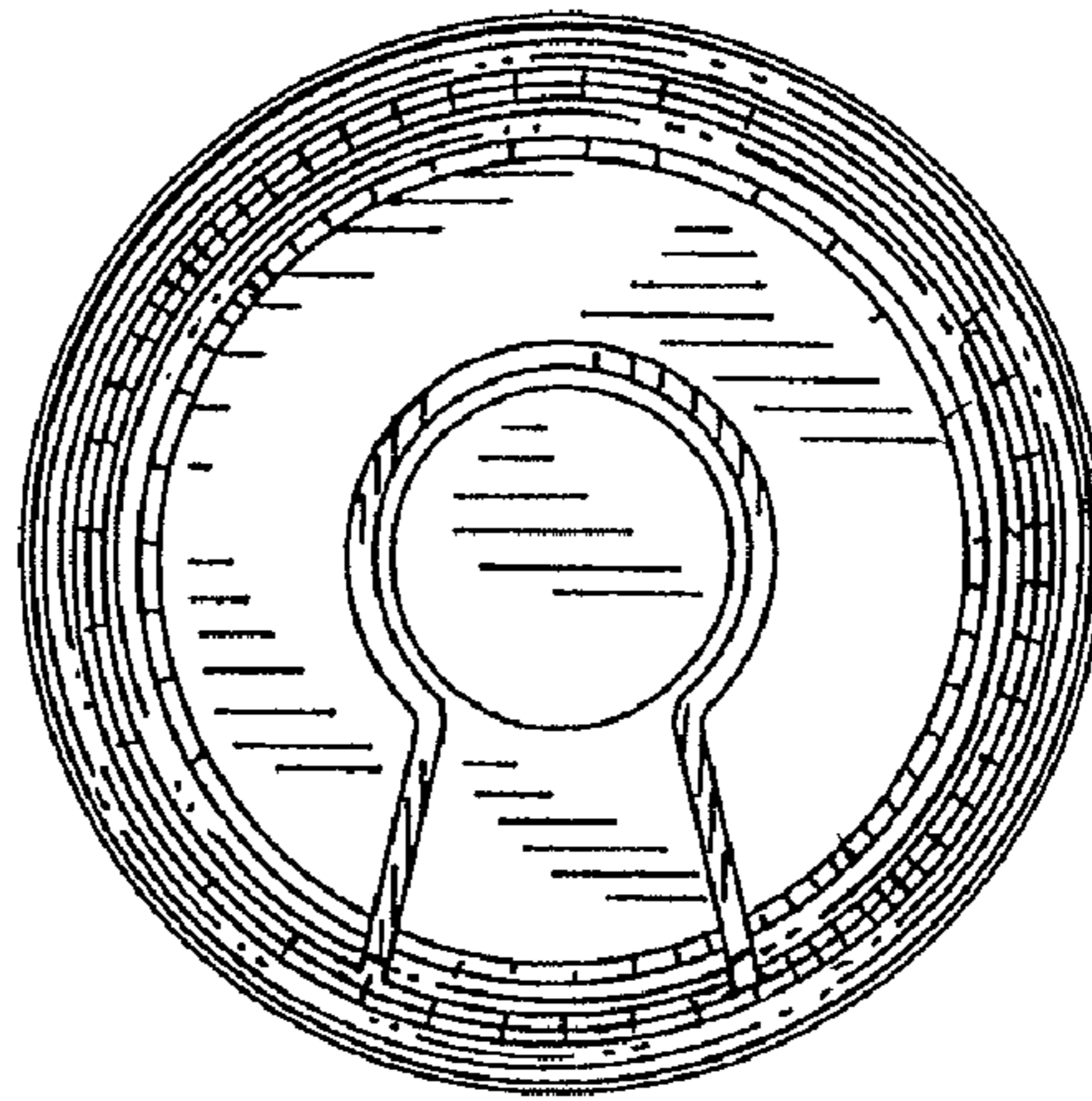


FIG. 6

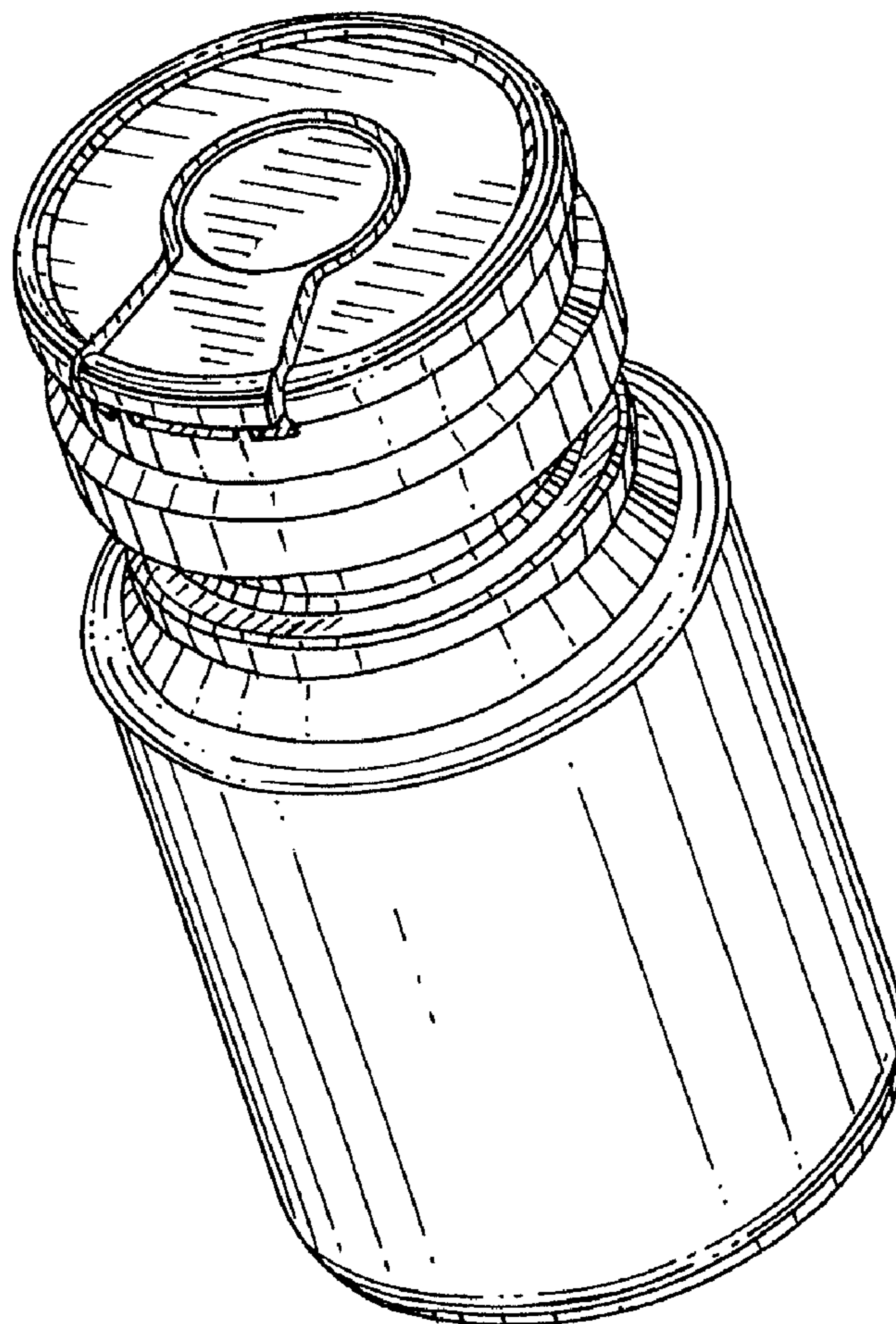


FIG. 7