



US00D656232S

(12) **United States Design Patent**  
**Villasana**

(10) **Patent No.:** **US D656,232 S**

(45) **Date of Patent:** **\*\* Mar. 20, 2012**

(54) **CATHETER CLAMP**

(76) Inventor: **Cuauhtemoc Villasana**, Dallas, TX  
(US)

(\*\*) Term: **14 Years**

(21) Appl. No.: **29/397,748**

(22) Filed: **Jul. 20, 2011**

(51) **LOC (9) Cl.** ..... **24-02**

(52) **U.S. Cl.** ..... **D24/128**

(58) **Field of Classification Search** ..... D24/128,  
D24/133, 143, 129; D8/390, 395; 248/74.2,  
248/316.1; 66/157; 24/499, 562-563, 536,  
24/557, 293, 508, 910; 128/DIG. 25; 604/34,  
604/151-153, 157, 250; 251/4, 6-7, 9-10  
See application file for complete search history.

2002/0169423	A1	11/2002	Zoltan et al.
2006/0015074	A1	1/2006	Lynn
2008/0029721	A1	2/2008	Miyahara
2008/0290303	A1	11/2008	Mackal
2008/0294122	A1	11/2008	Chesnin et al.
2010/0096570	A1	4/2010	Kashmirian et al.
2010/0168680	A1	7/2010	Callahan
2010/0168682	A1	7/2010	Braga et al.
2010/0268161	A1	10/2010	Traversaz
2010/0274268	A1	10/2010	Singh et al.

\* cited by examiner

*Primary Examiner* — T. Chase Nelson

*Assistant Examiner* — Eric Goodman

(74) *Attorney, Agent, or Firm* — Garlitz Bell, LLP; Corby Bell

(57) **CLAIM**

The ornamental design for a catheter clamp, as shown and described.

(56) **References Cited**

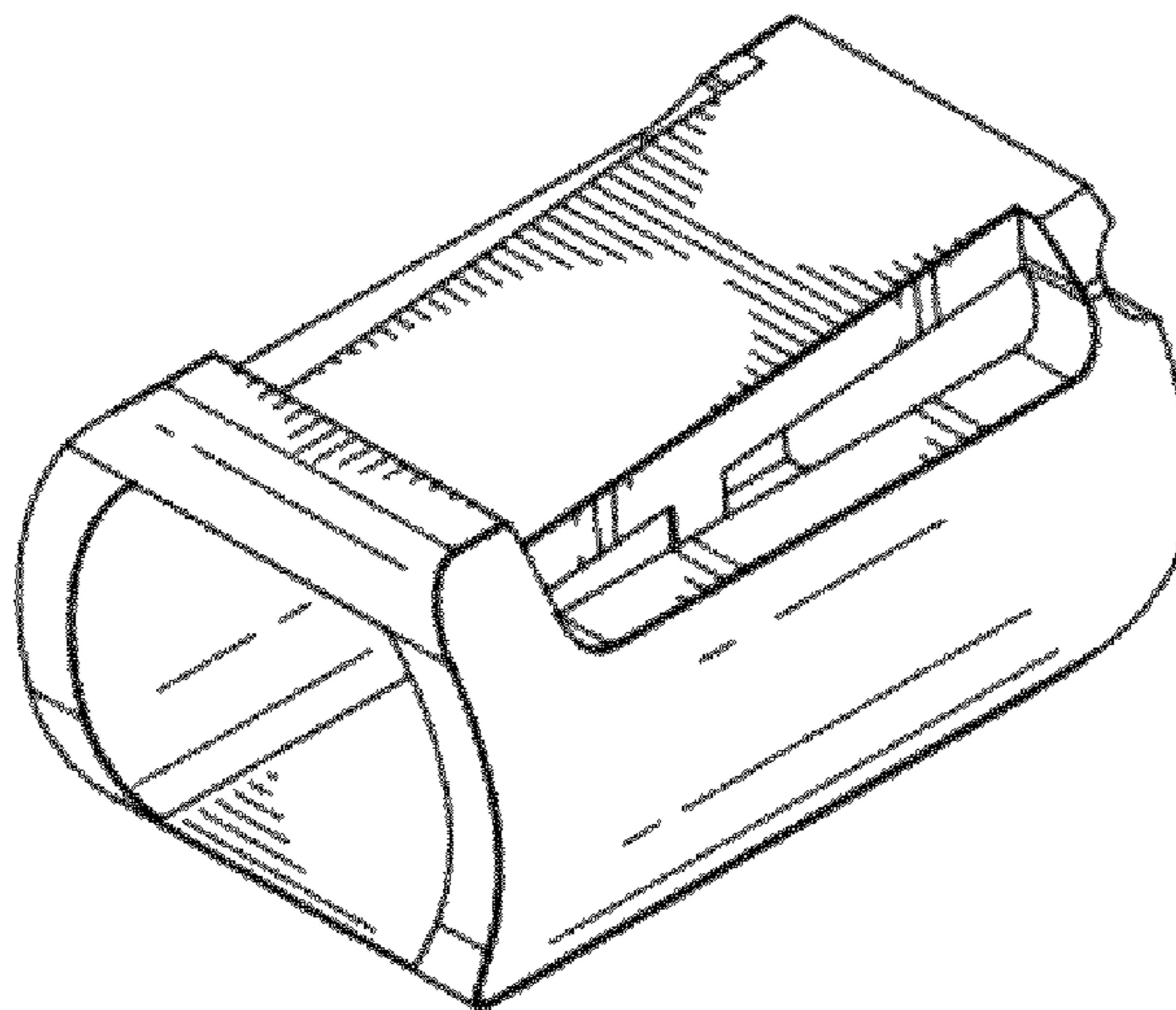
U.S. PATENT DOCUMENTS

4,053,135	A	10/1977	Saliaris	
4,170,995	A	10/1979	Levine et al.	
D283,918	S	5/1986	Jacobson	
4,589,626	A *	5/1986	Kurtz et al.	251/10
D298,216	S *	10/1988	Eisenberg	D8/395
D318,123	S *	7/1991	Yokoyama et al.	D24/129
D400,782	S	11/1998	Nakamura	
D427,307	S	6/2000	Guala et al.	
6,089,527	A *	7/2000	Utterberg	251/4
6,113,062	A *	9/2000	Schnell et al.	251/10
D431,650	S	10/2000	Guala et al.	
6,161,812	A	12/2000	Guala et al.	
6,196,519	B1	3/2001	Utterberg	
6,234,448	B1	5/2001	Porat	
D447,564	S *	9/2001	Stewart, Jr.	D24/143
6,644,618	B1	11/2003	Balbo	
6,732,983	B1 *	5/2004	Blake et al.	248/74.2
D510,019	S *	9/2005	Davis	D8/395
D570,203	S *	6/2008	Shimoto	D8/395
7,549,200	B2	6/2009	McMichael et al.	
D619,711	S *	7/2010	Lombardo et al.	D24/143
7,749,199	B2	7/2010	Mogg	
D638,121	S *	5/2011	Villasana	D24/128

**DESCRIPTION**

FIG. 1 is a front perspective view of a catheter clamp in the closed position showing my new design;  
 FIG. 2 is a rear elevational view thereof;  
 FIG. 3 is a front elevational view thereof;  
 FIG. 4 is a left side elevational view thereof;  
 FIG. 5 is a right side elevational view thereof;  
 FIG. 6 is a top plan view thereof;  
 FIG. 7 is a bottom plan view thereof;  
 FIG. 8 is a rear perspective view thereof;  
 FIG. 9 is a front perspective view of a catheter clamp in the open position showing my new design;  
 FIG. 10 is a front elevational view thereof;  
 FIG. 11 is a rear elevational view thereof;  
 FIG. 12 is left side elevational view thereof;  
 FIG. 13 is right side elevational view thereof;  
 FIG. 14 is a top plan view thereof;  
 FIG. 15 is a bottom plan view thereof; and,  
 FIG. 16 is a rear perspective view thereof.

**1 Claim, 4 Drawing Sheets**



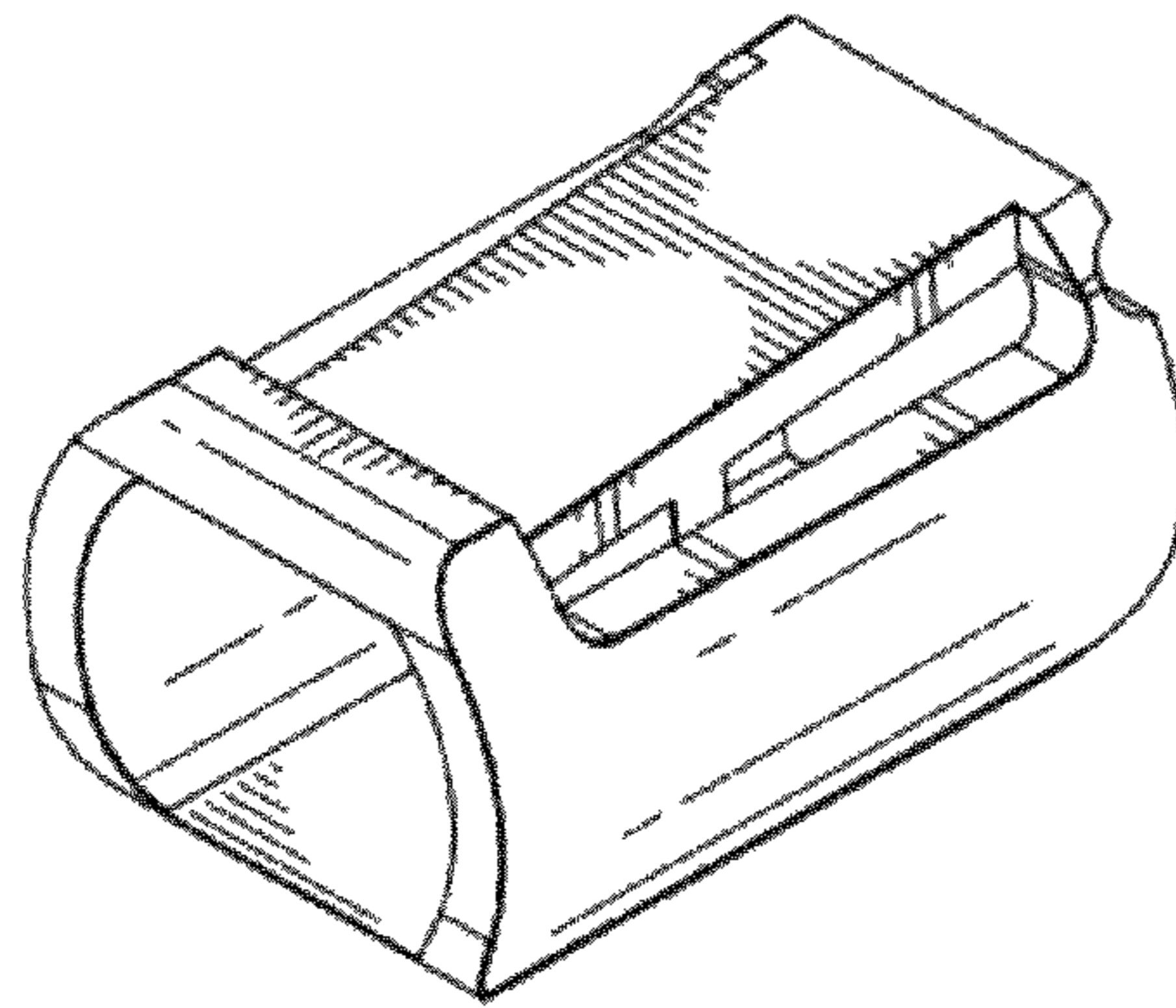


FIG. 1

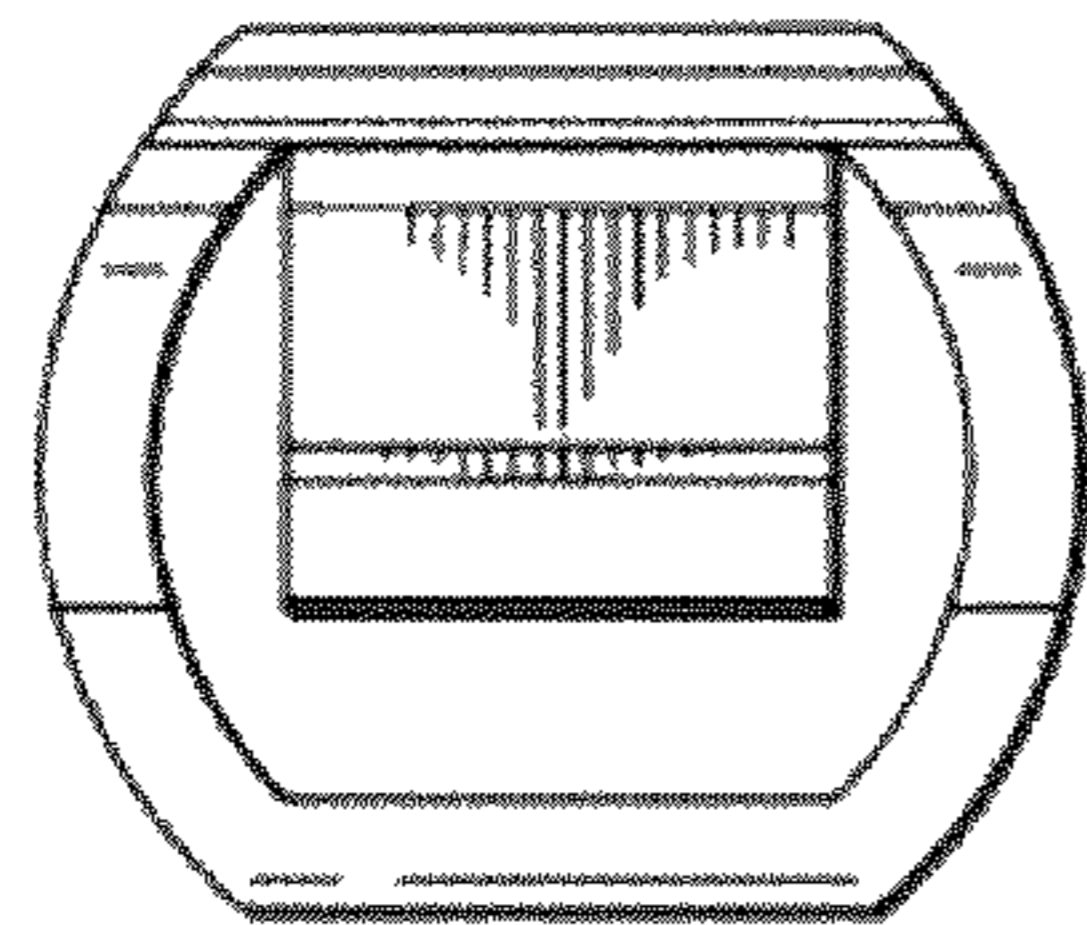


FIG. 2

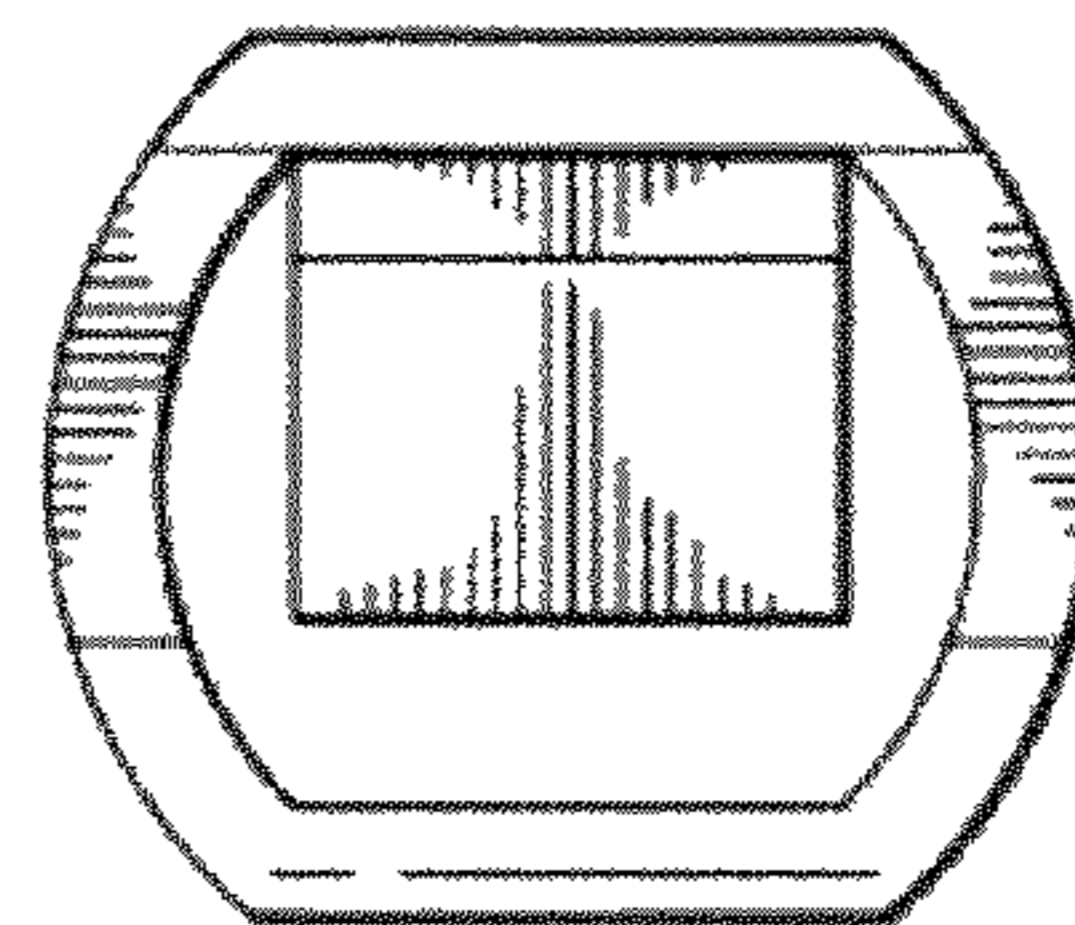


FIG. 3

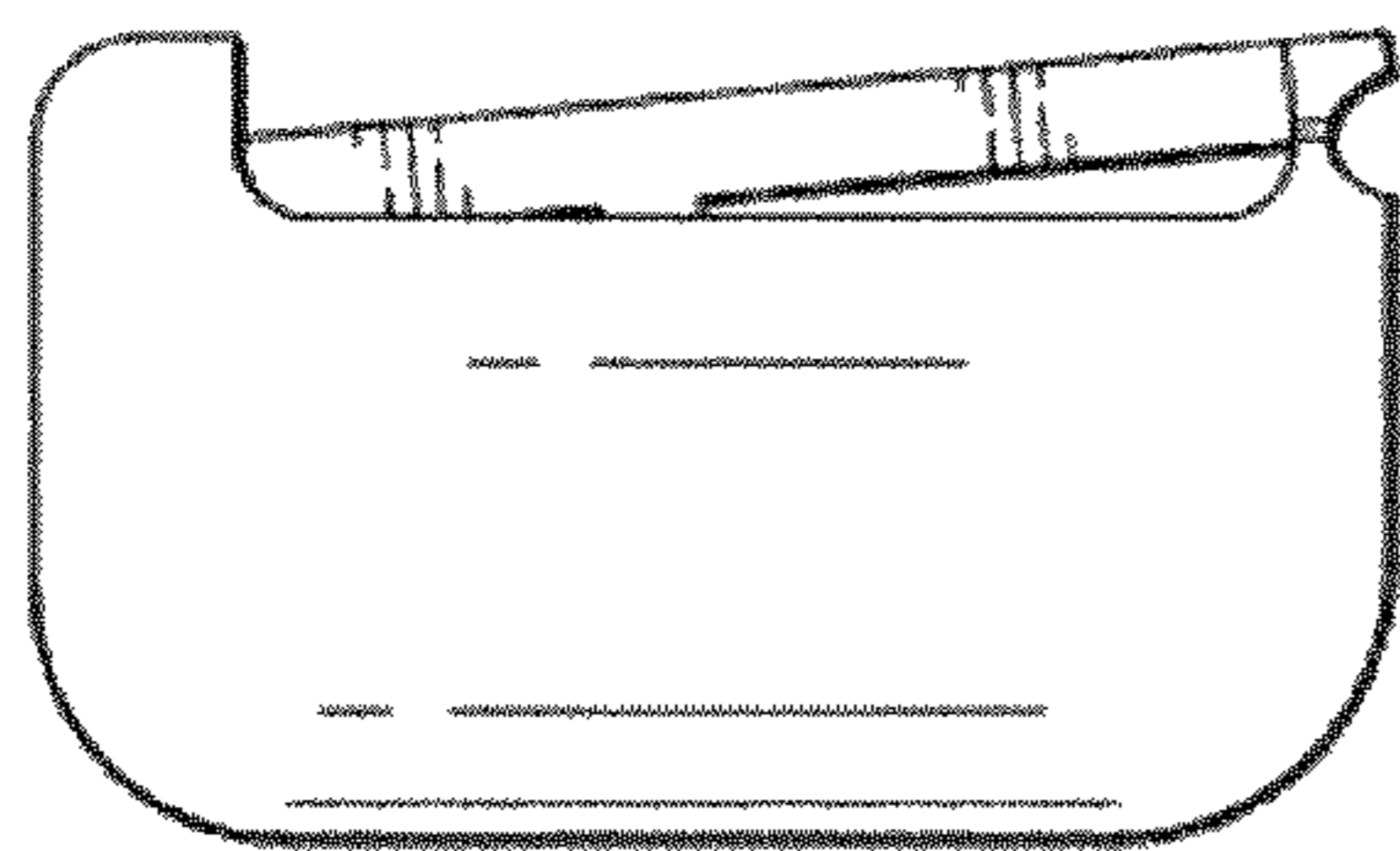


FIG. 4

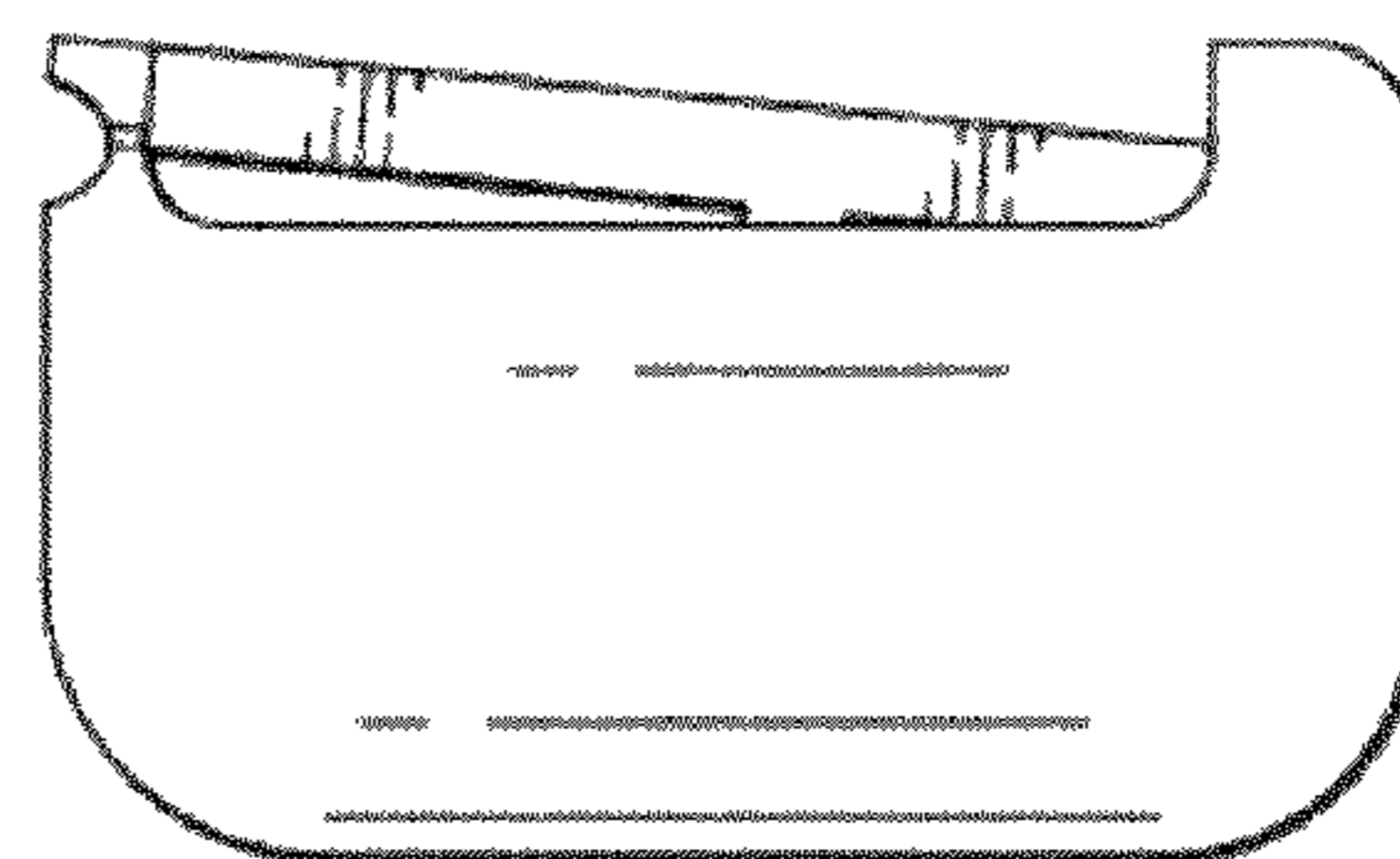


FIG. 5



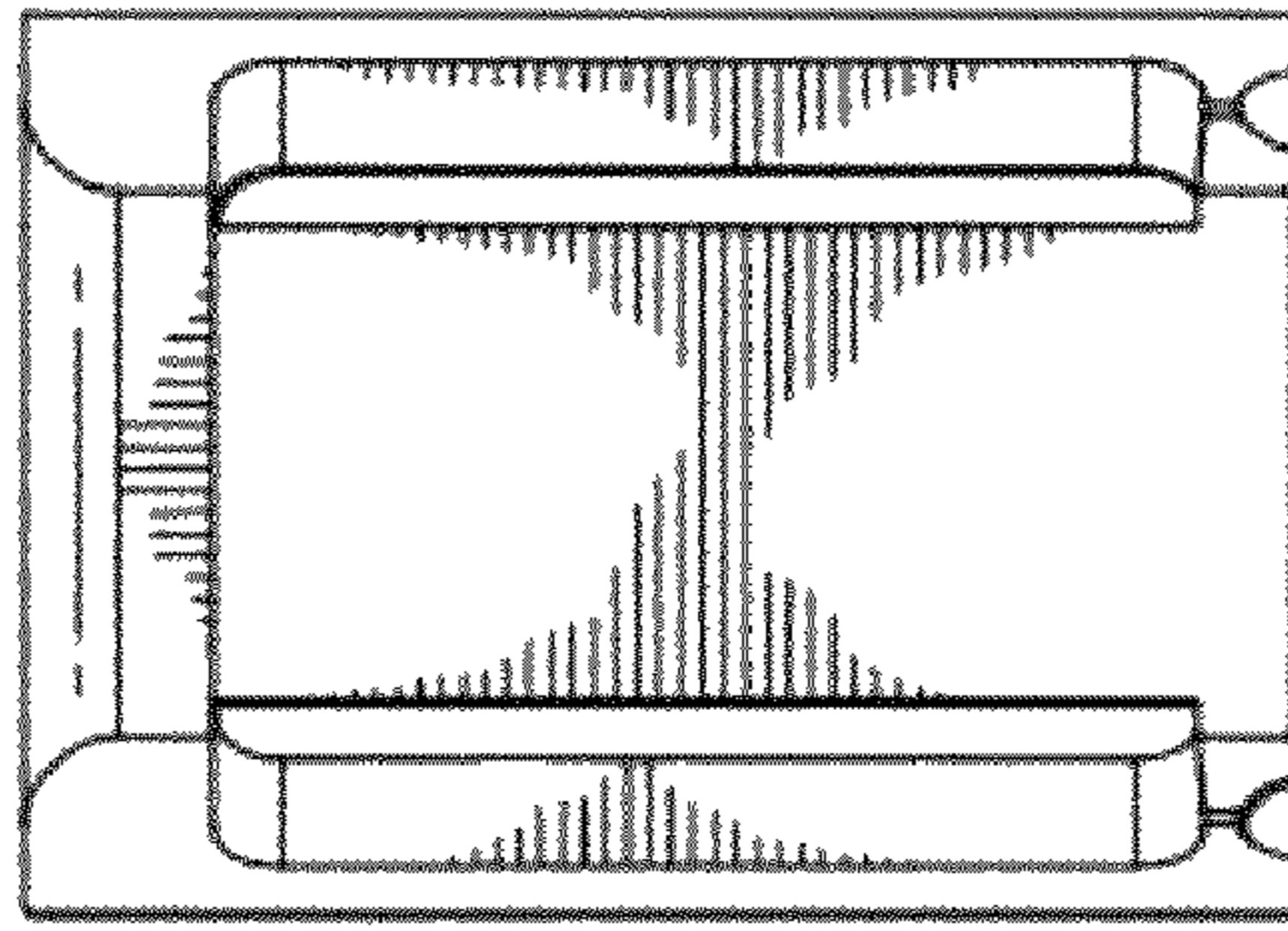


FIG. 6

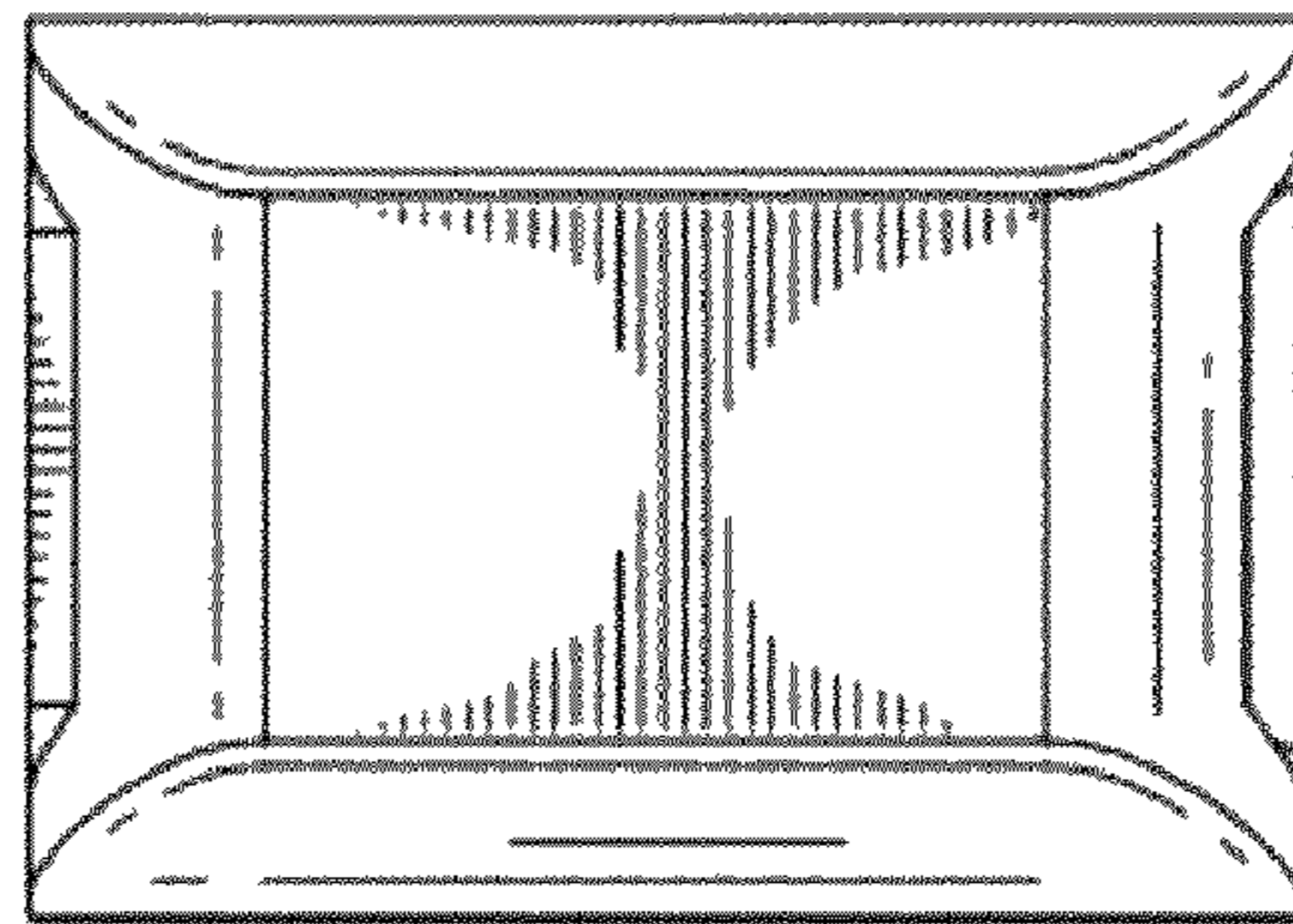


FIG. 7

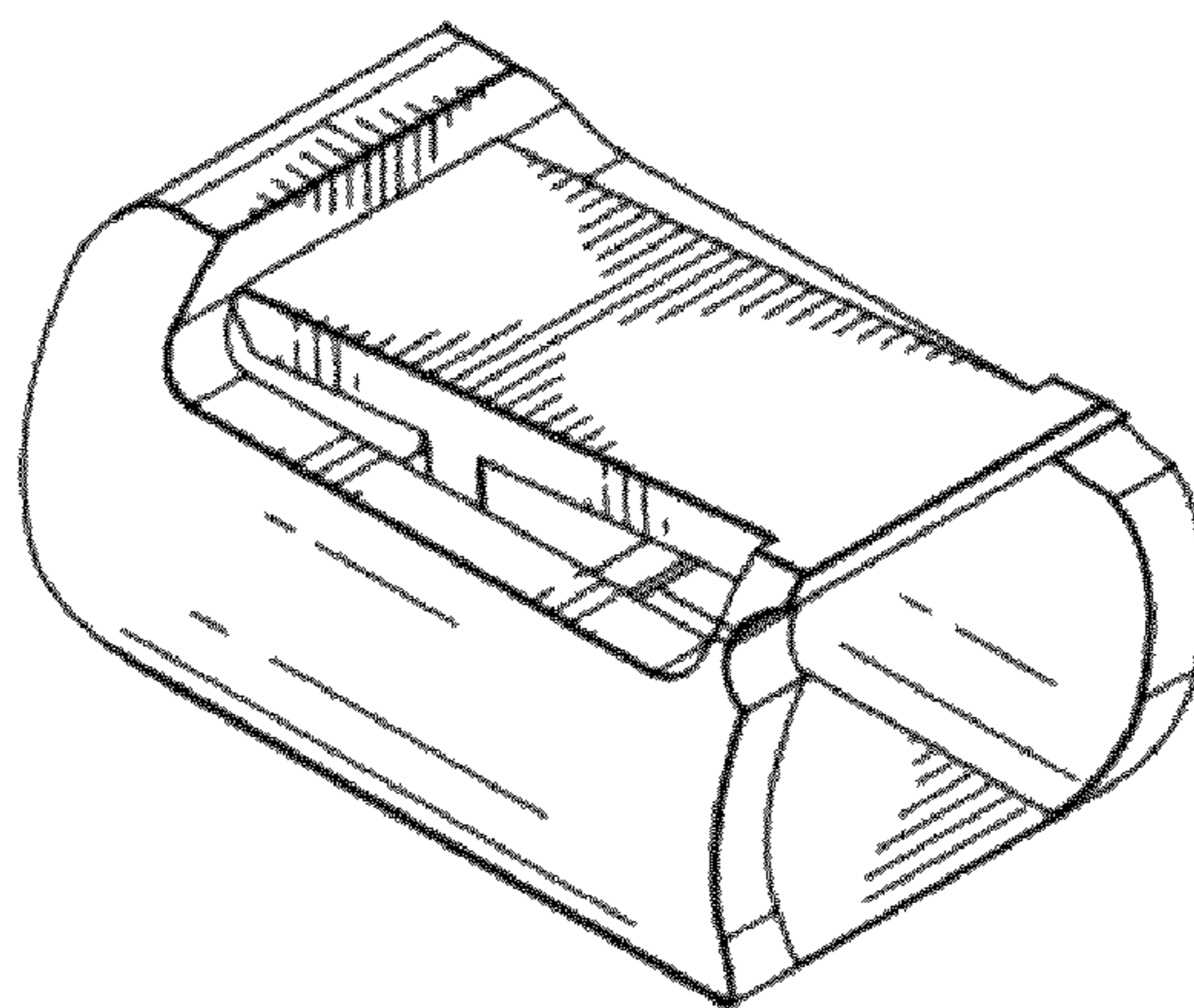


FIG. 8

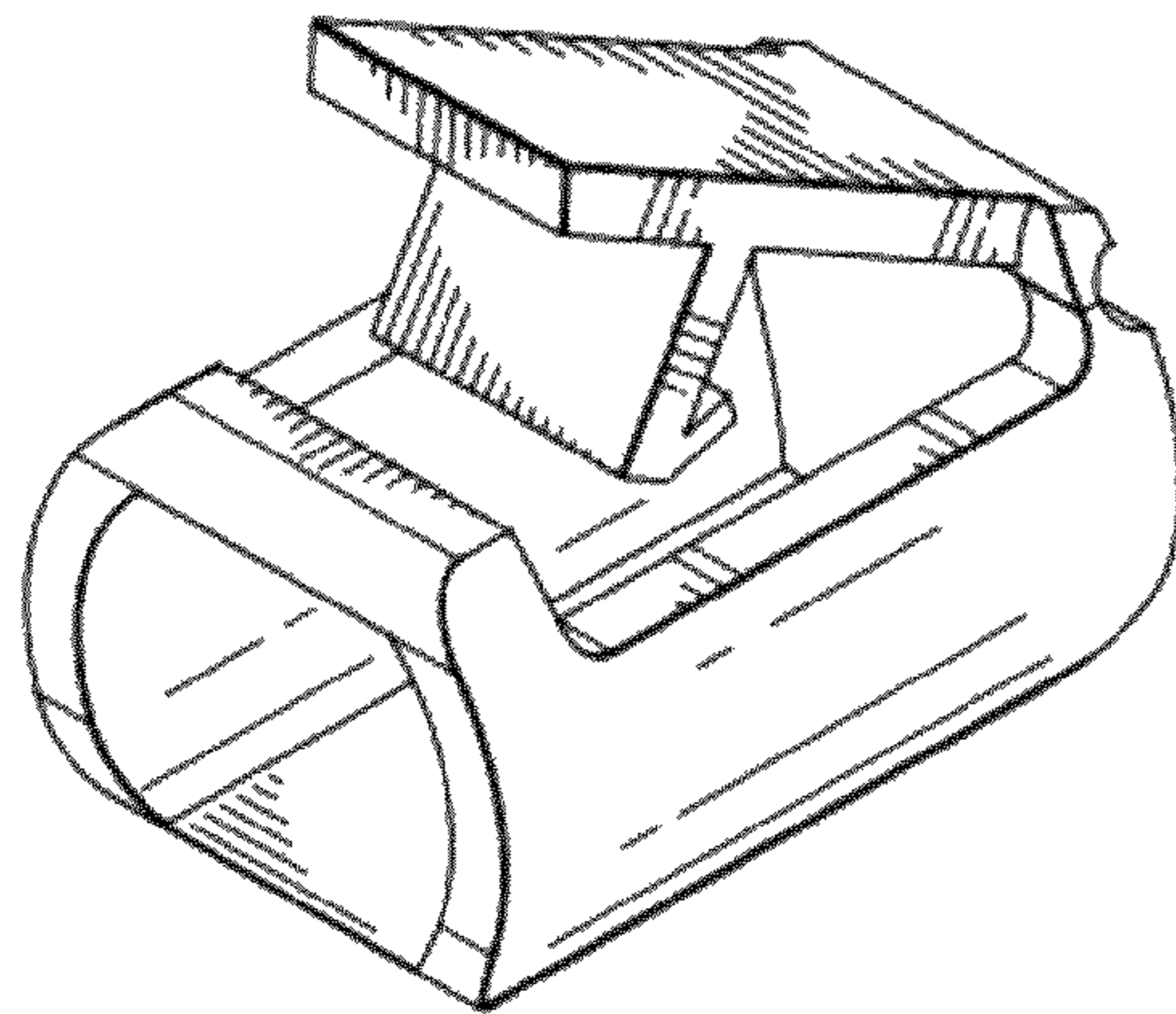


FIG. 9

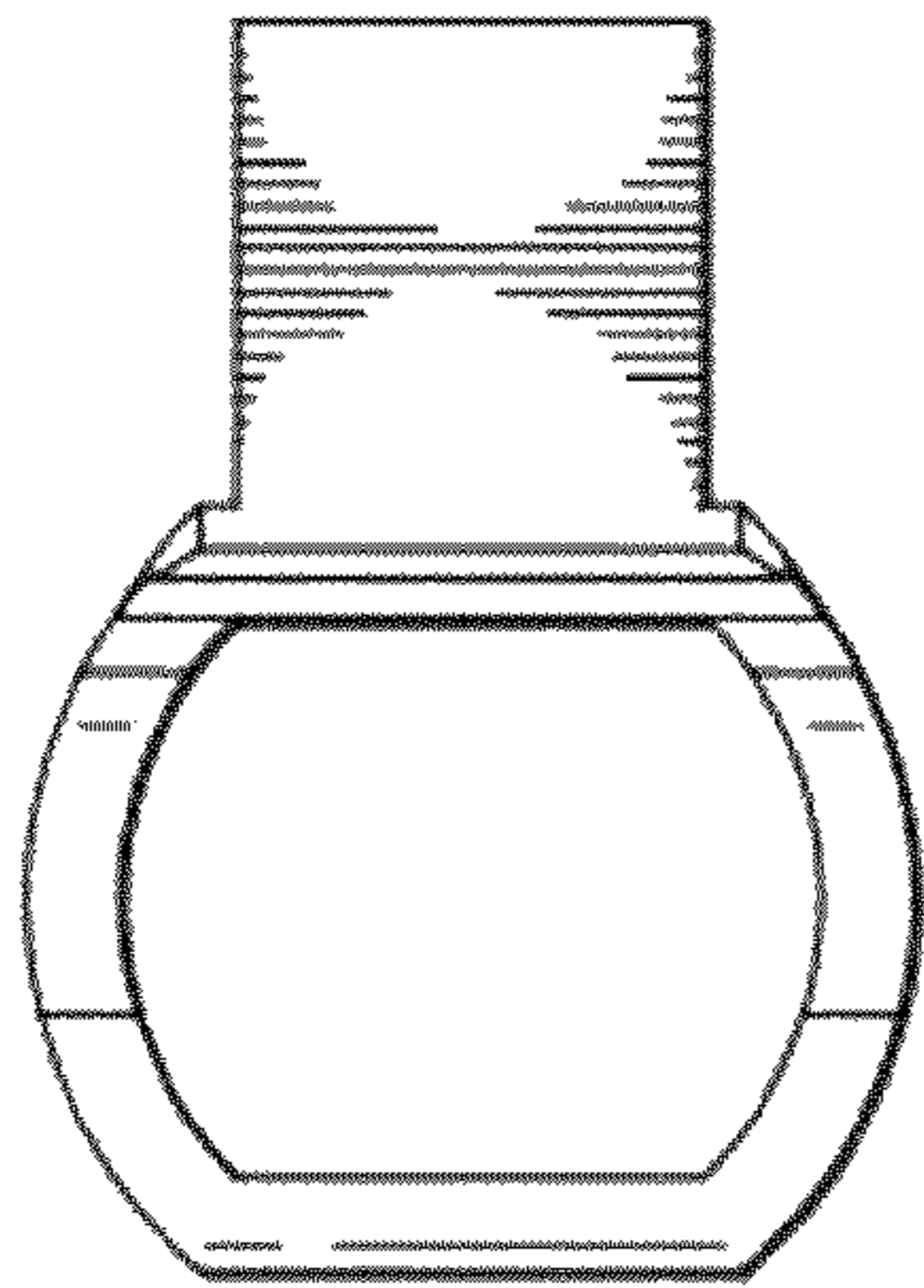


FIG. 11

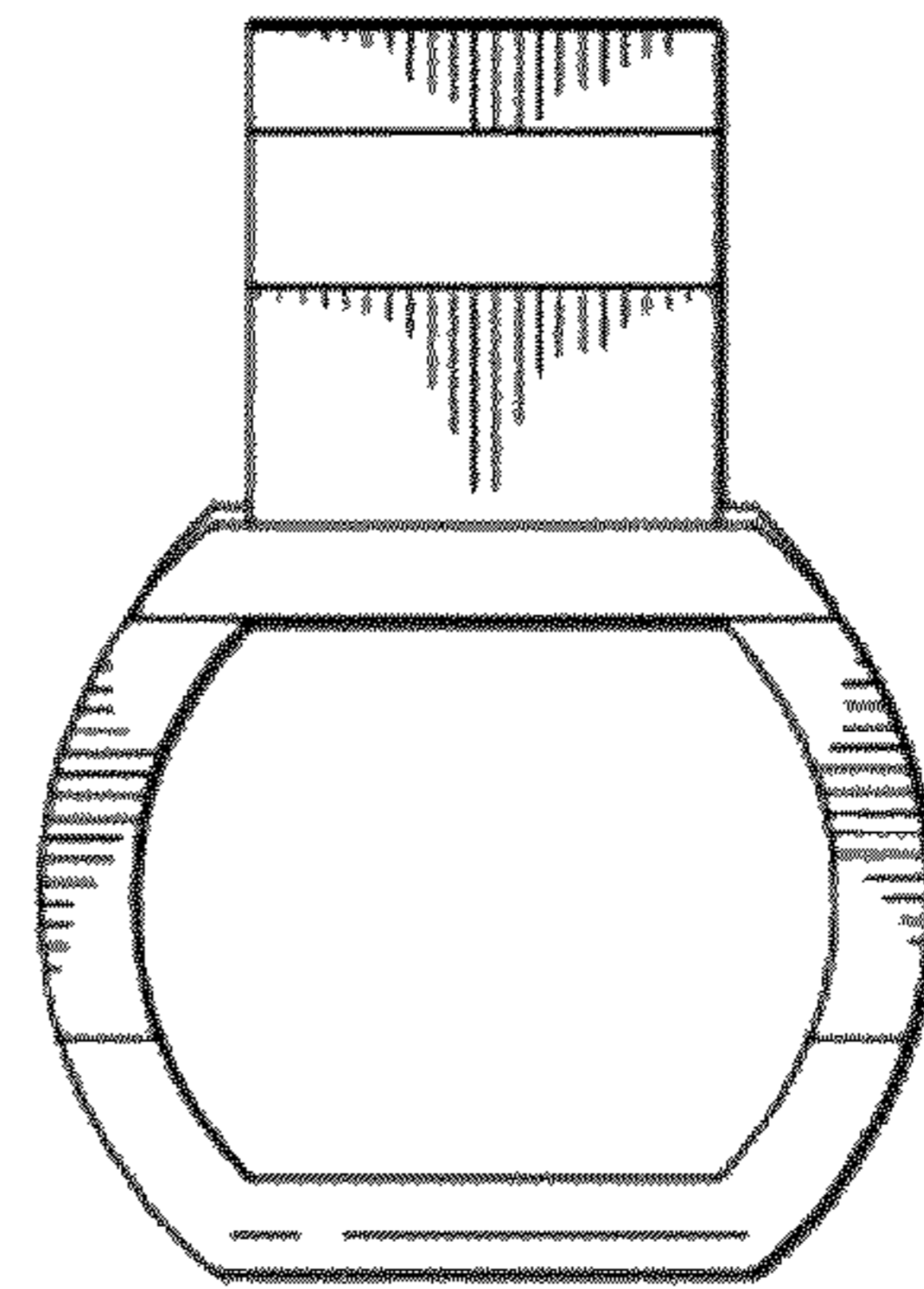


FIG. 10

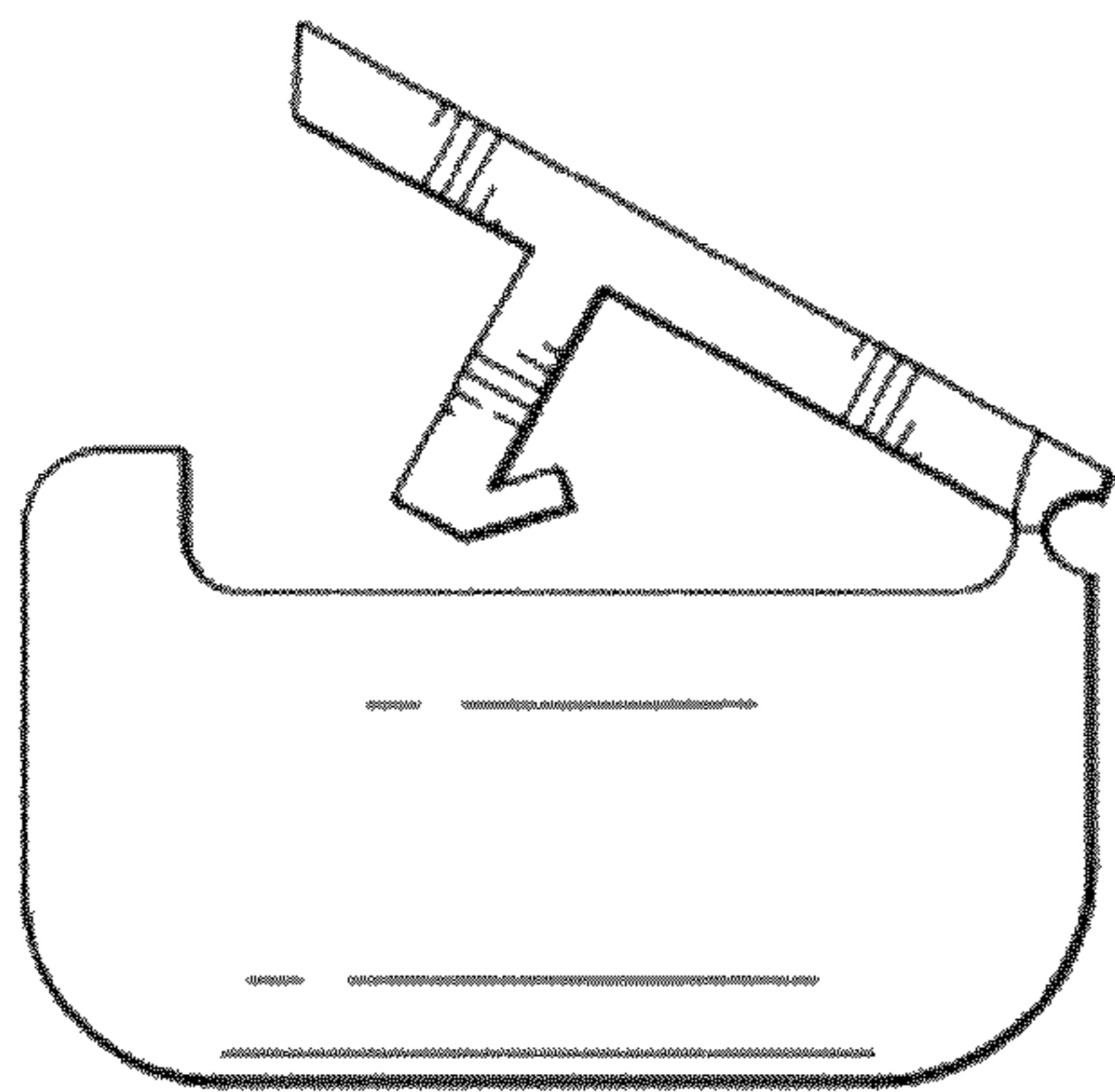


FIG. 12

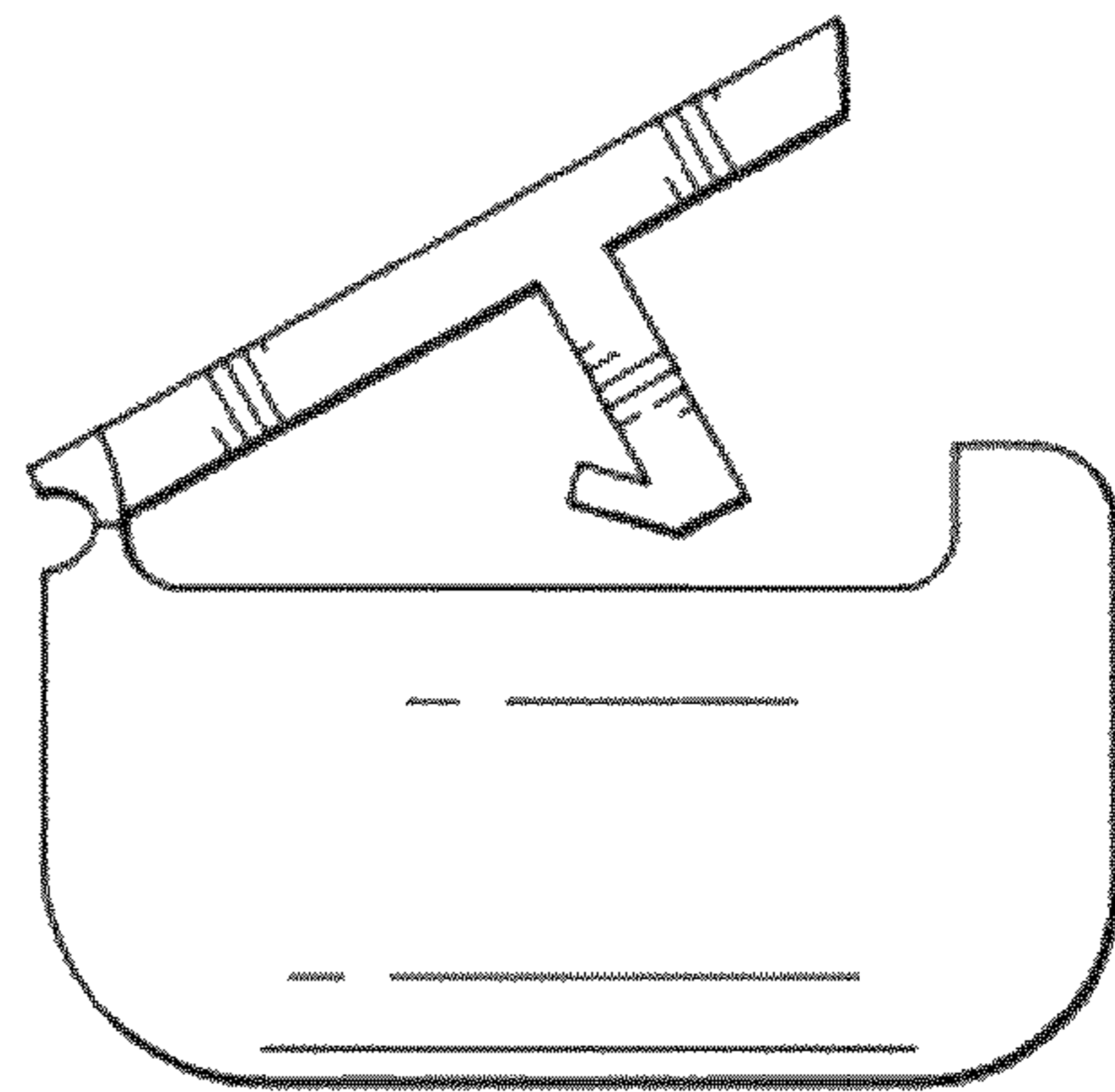


FIG. 13

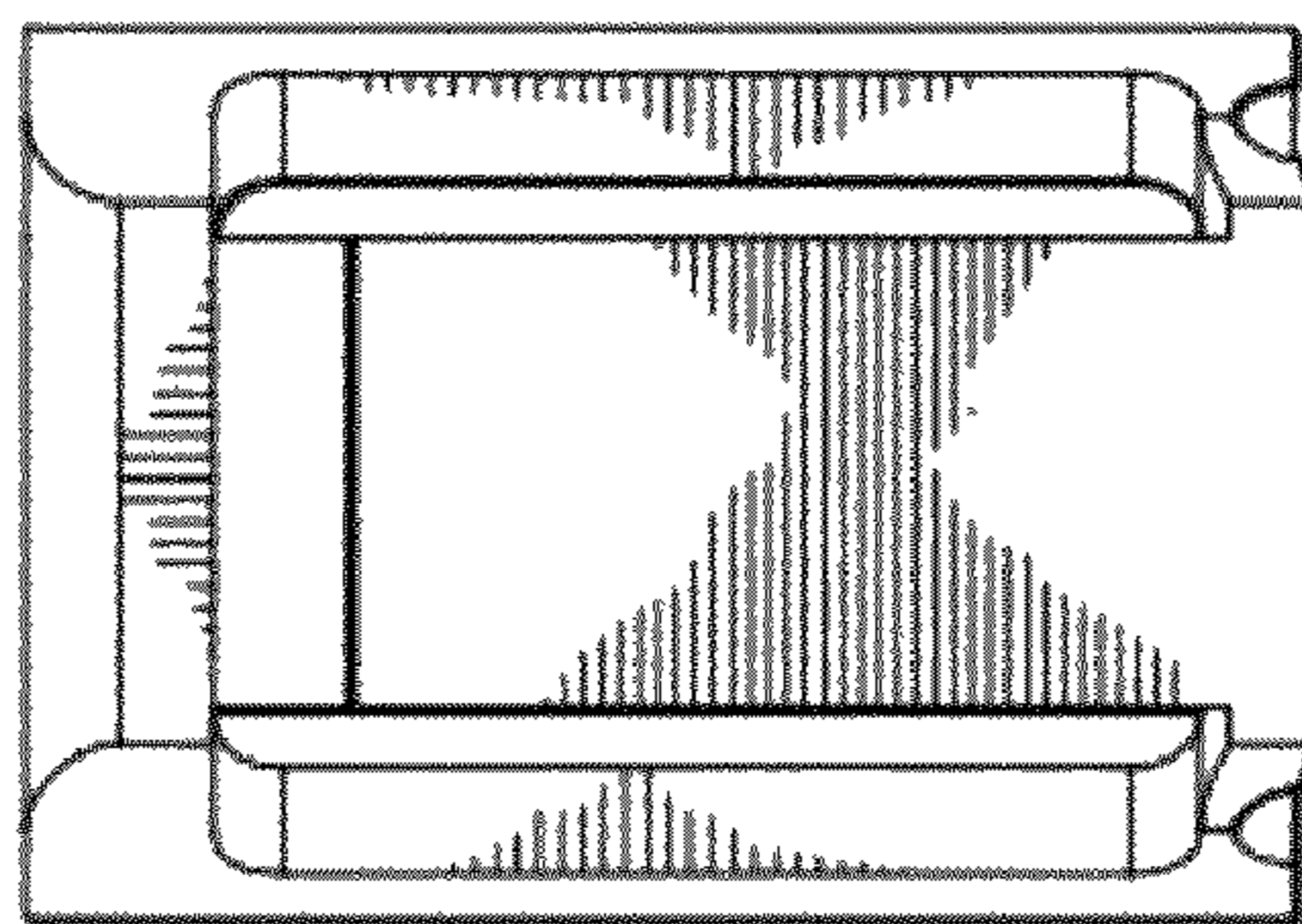


FIG. 14

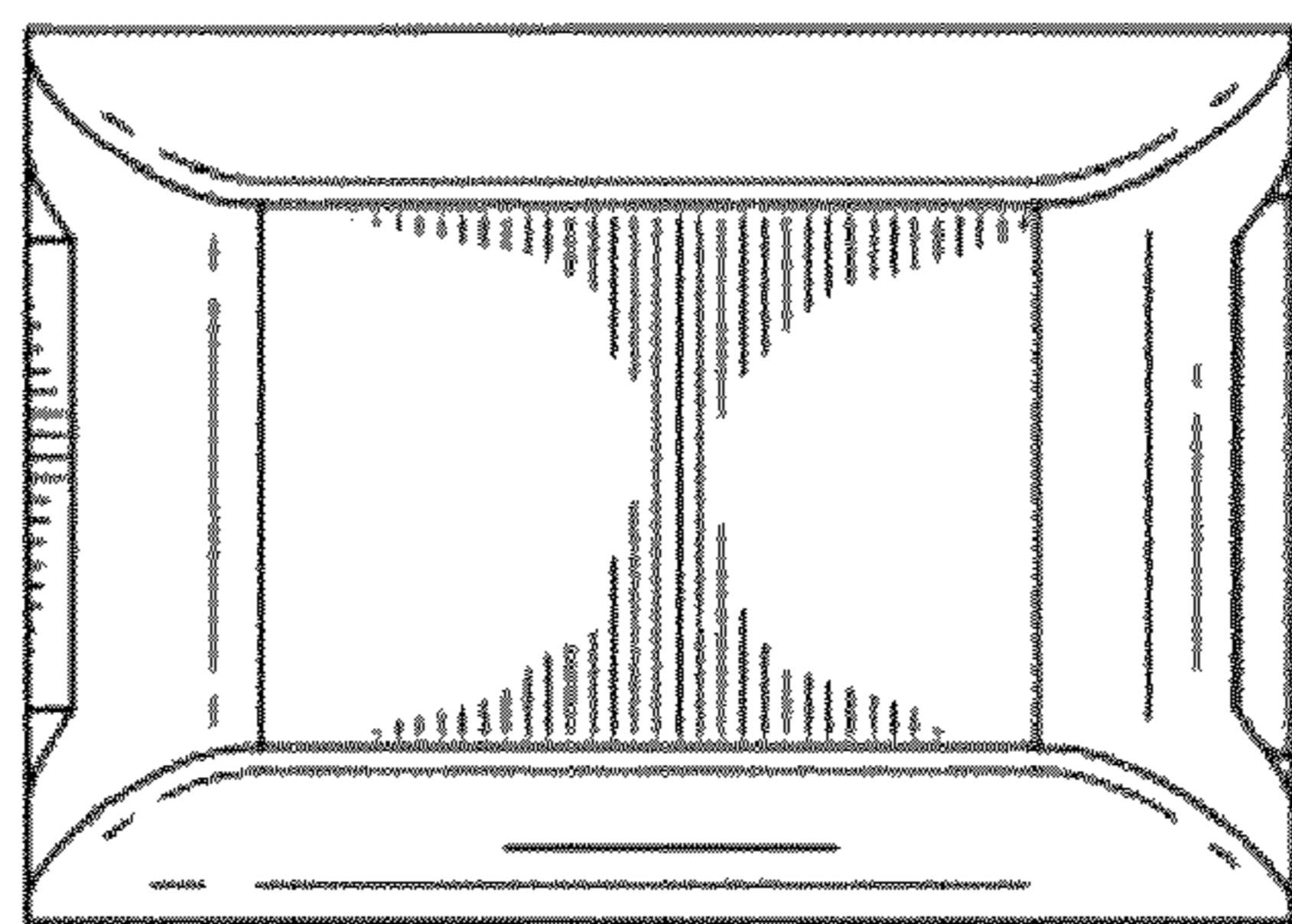


FIG. 15

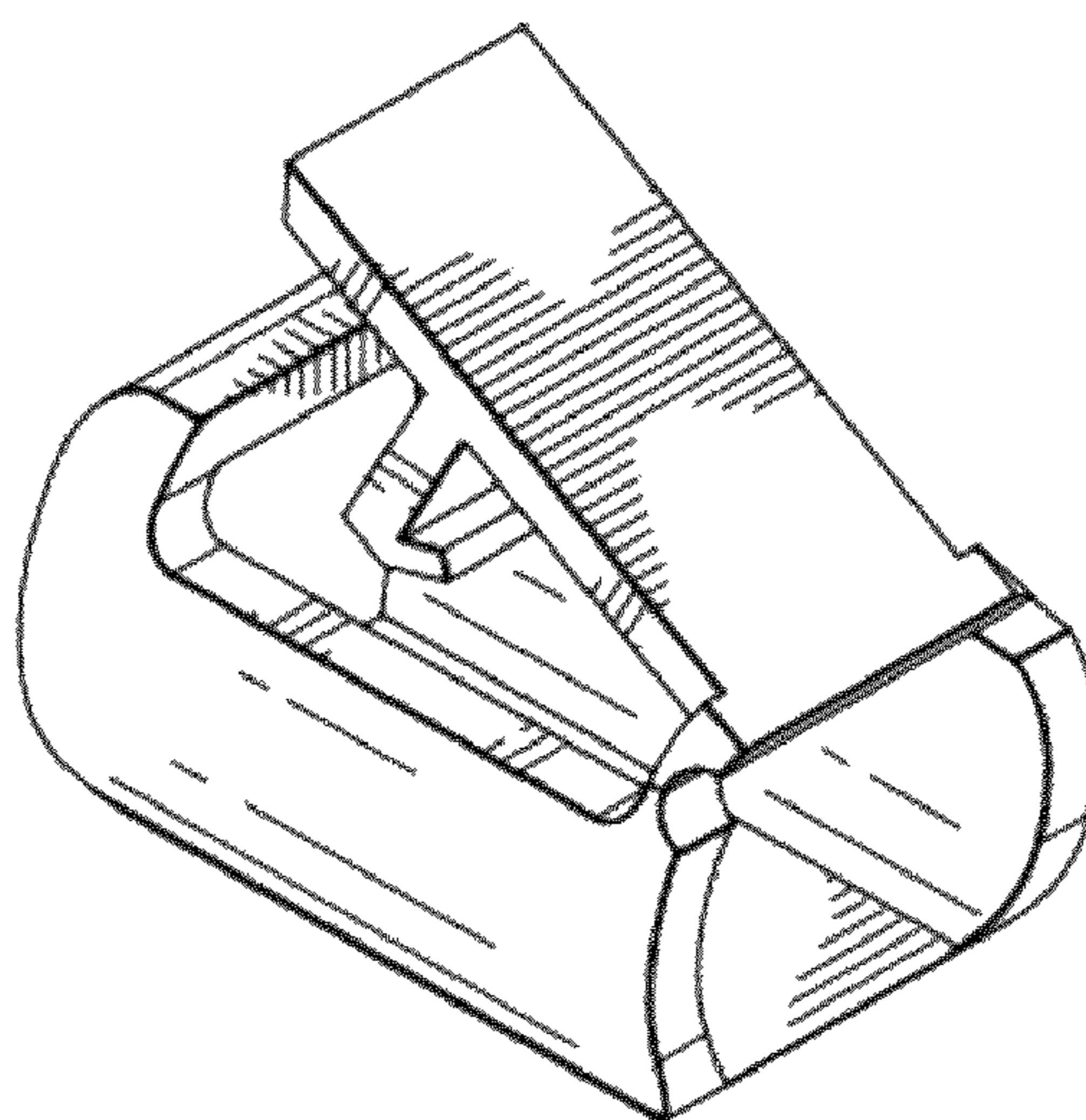


FIG. 16