



US00D656228S

(12) **United States Design Patent**
Booth

(10) **Patent No.:** **US D656,228 S**
(45) **Date of Patent:** **** Mar. 20, 2012**

- (54) **SINK**
- (75) Inventor: **Shawn J. Booth**, Sheboygan, WI (US)
- (73) Assignee: **Kohler Co.**, Kohler, WI (US)
- (**) Term: **14 Years**
- (21) Appl. No.: **29/402,314**
- (22) Filed: **Sep. 22, 2011**

Primary Examiner — Robert Delehanty
(74) *Attorney, Agent, or Firm* — Foley & Lardner LLP

(57) **CLAIM**
I claim the ornamental design for a sink, as shown and described.

DESCRIPTION

FIG. 1 is a top perspective view of an embodiment of the claimed design;
 FIG. 2 is a top plan view of the claimed design of FIG. 1;
 FIG. 3 is a bottom plan view of the claimed design of FIG. 1;
 FIG. 4 is a front elevation view of the claimed design of FIG. 1;
 FIG. 5 is a right-side elevation view of the claimed design of FIG. 1;
 FIG. 6 is a rear elevation view of the claimed design of FIG. 1;
 FIG. 7 is a cross-sectional view of FIG. 4; and,
 FIG. 8 is a cross-sectional view of FIG. 5.

The ornamental design which is claimed is shown in solid lines in the drawings. The broken lines in the drawings are for illustrative purposes only and form no part of the claimed design.

Related U.S. Application Data

- (62) Division of application No. 29/386,881, filed on Mar. 4, 2011, now Pat. No. Des. 647,605.
 - (51) **LOC (9) Cl.** **23-02**
 - (52) **U.S. Cl.** **D23/293.1**
 - (58) **Field of Classification Search** D23/272–274,
D23/284, 286–287, 290, 293.1, 303, 308;
4/619, 639, 630–631
- See application file for complete search history.

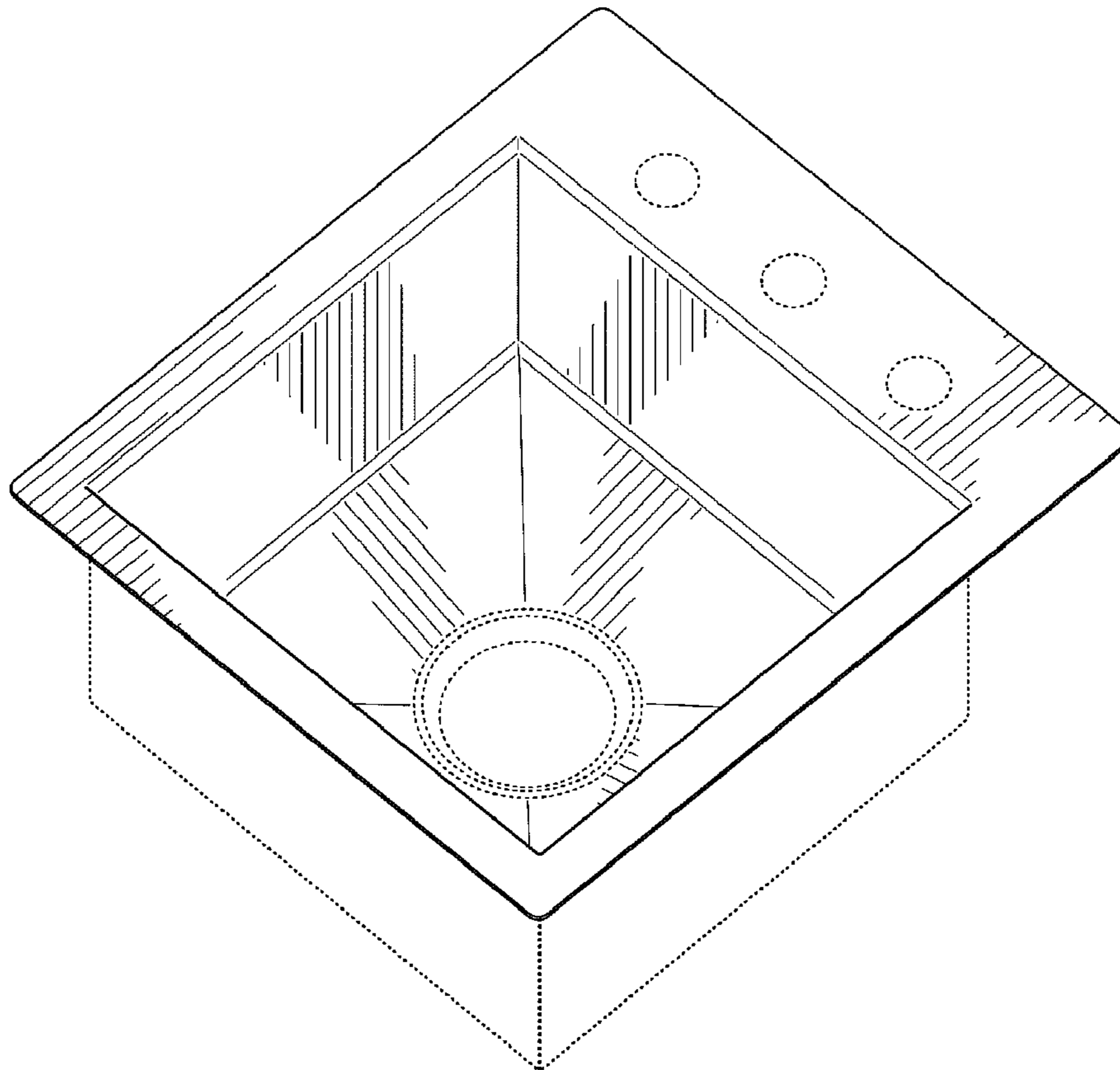
References Cited

U.S. PATENT DOCUMENTS

- D504,496 S * 4/2005 Bayer D23/293.1
- D537,925 S * 3/2007 Mahon D23/293.1
- D575,380 S * 8/2008 Ziemann et al. D23/293.1

* cited by examiner

1 Claim, 8 Drawing Sheets



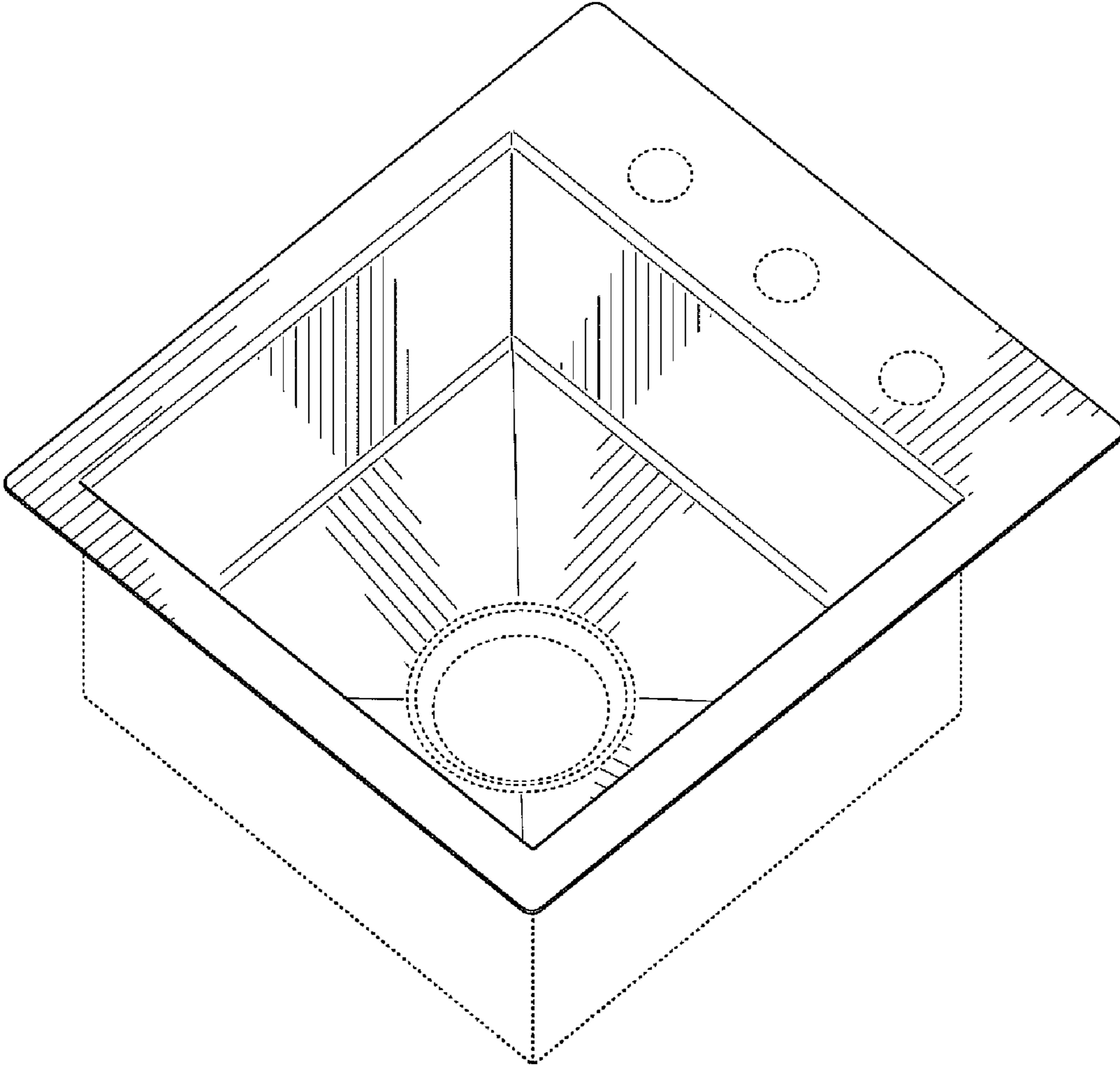


FIG. 1

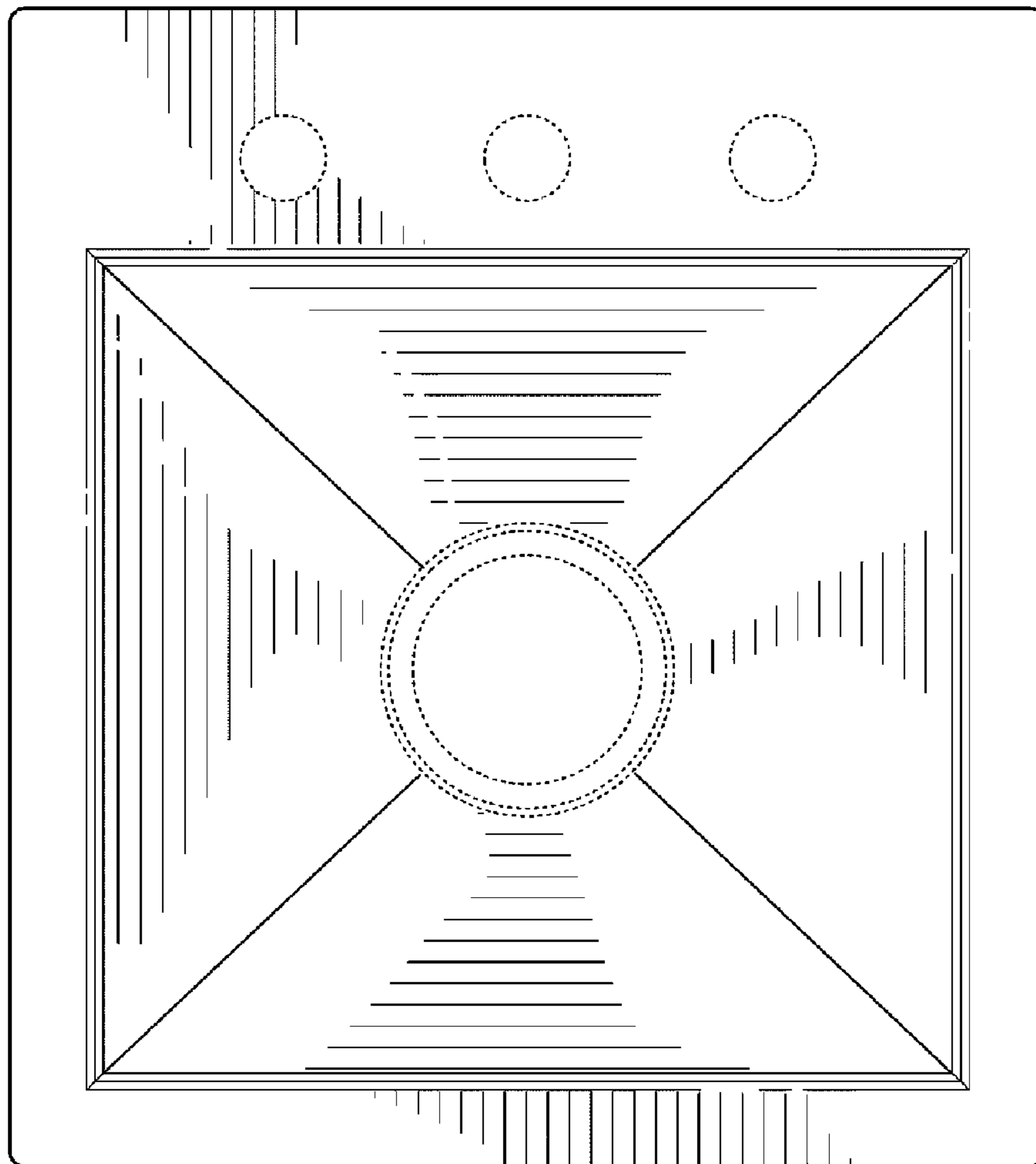


FIG. 2

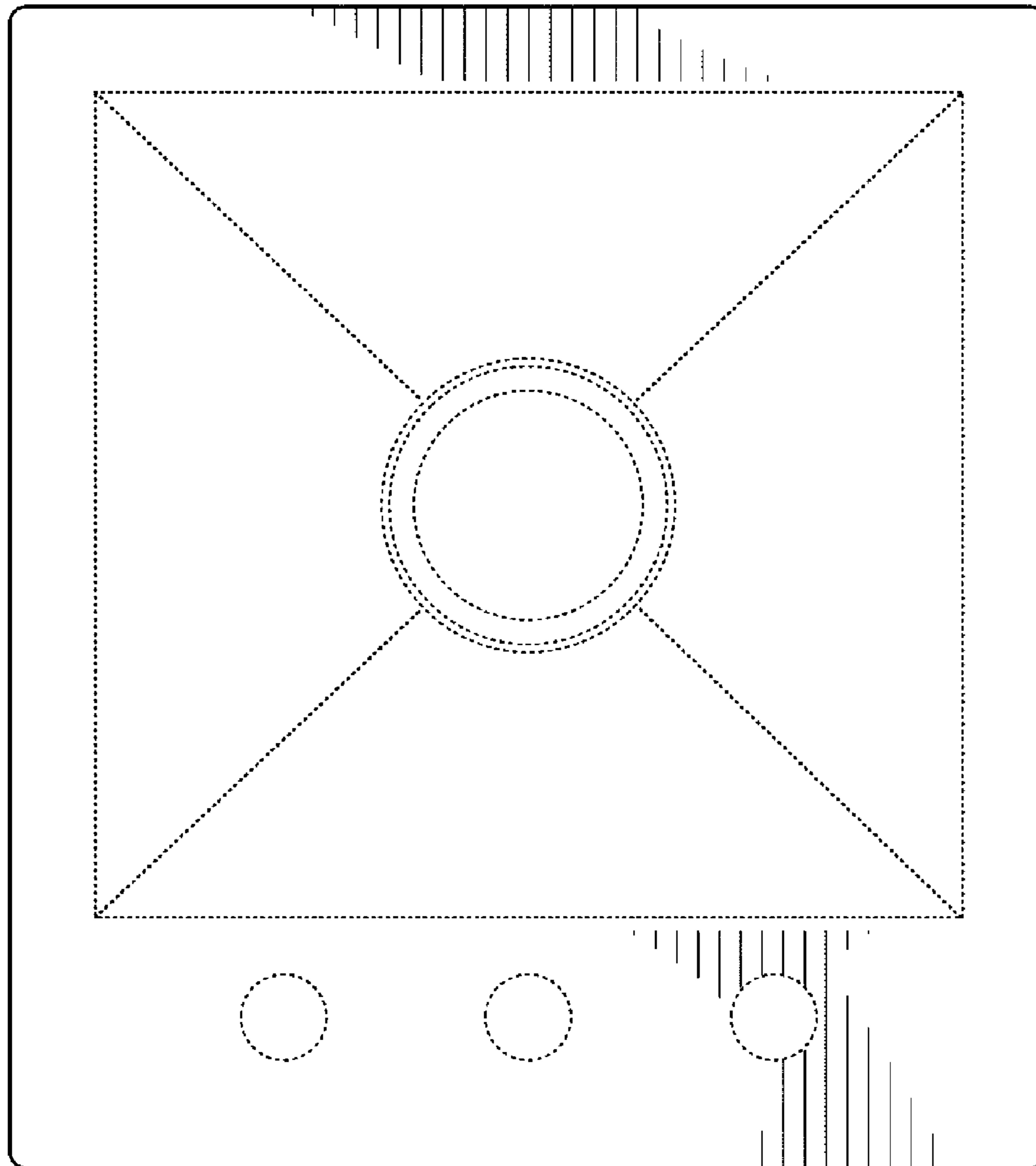


FIG. 3

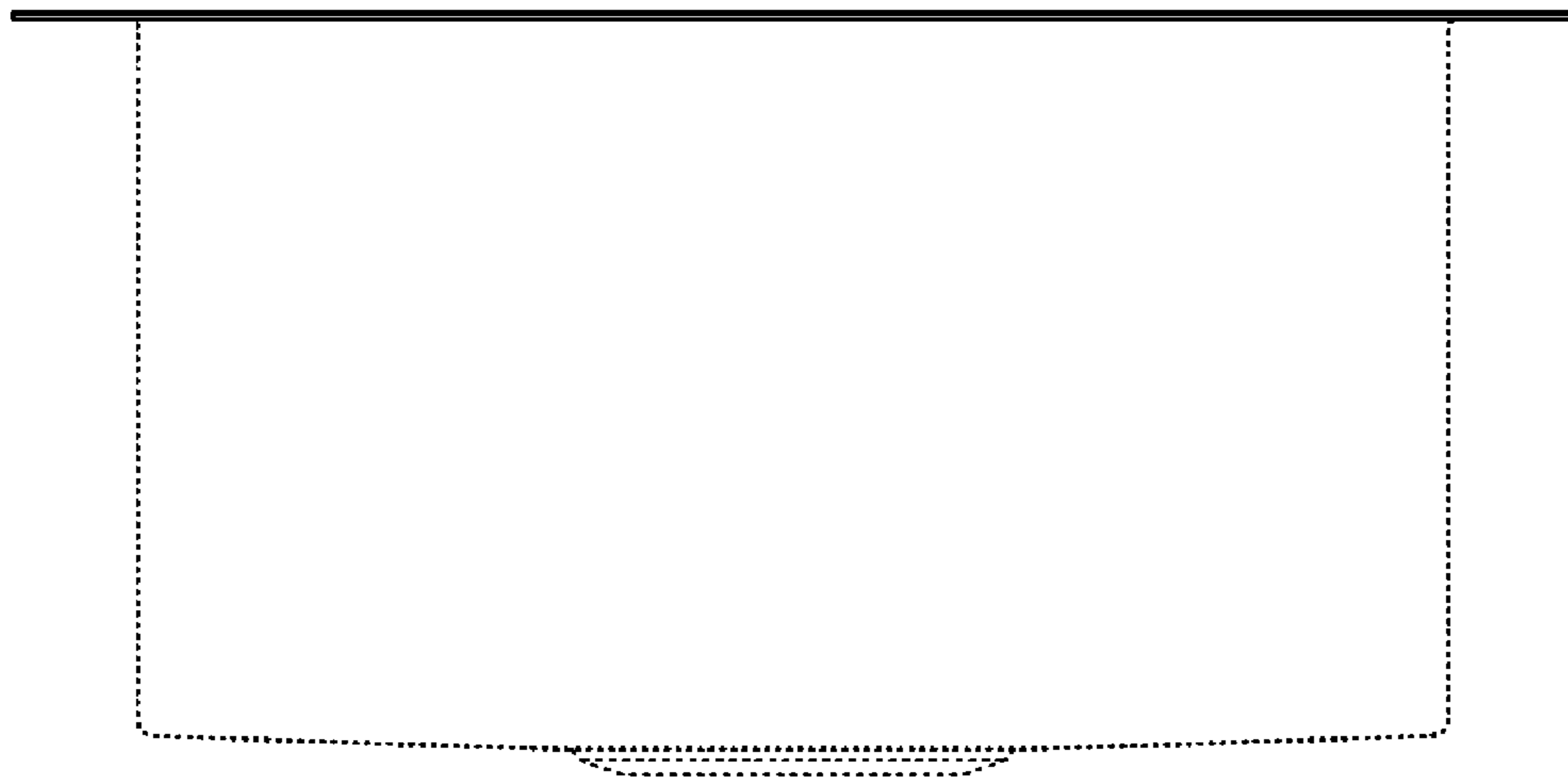


FIG. 4

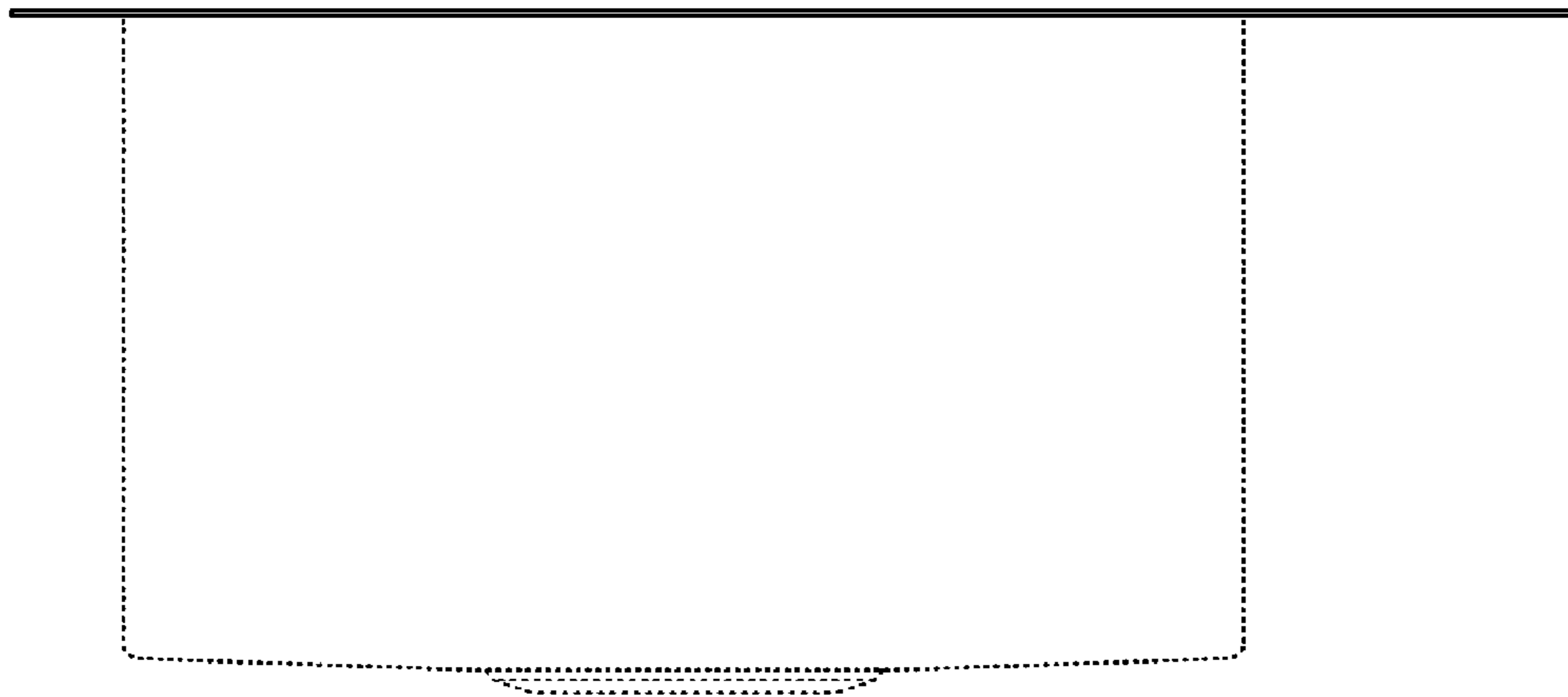


FIG. 5

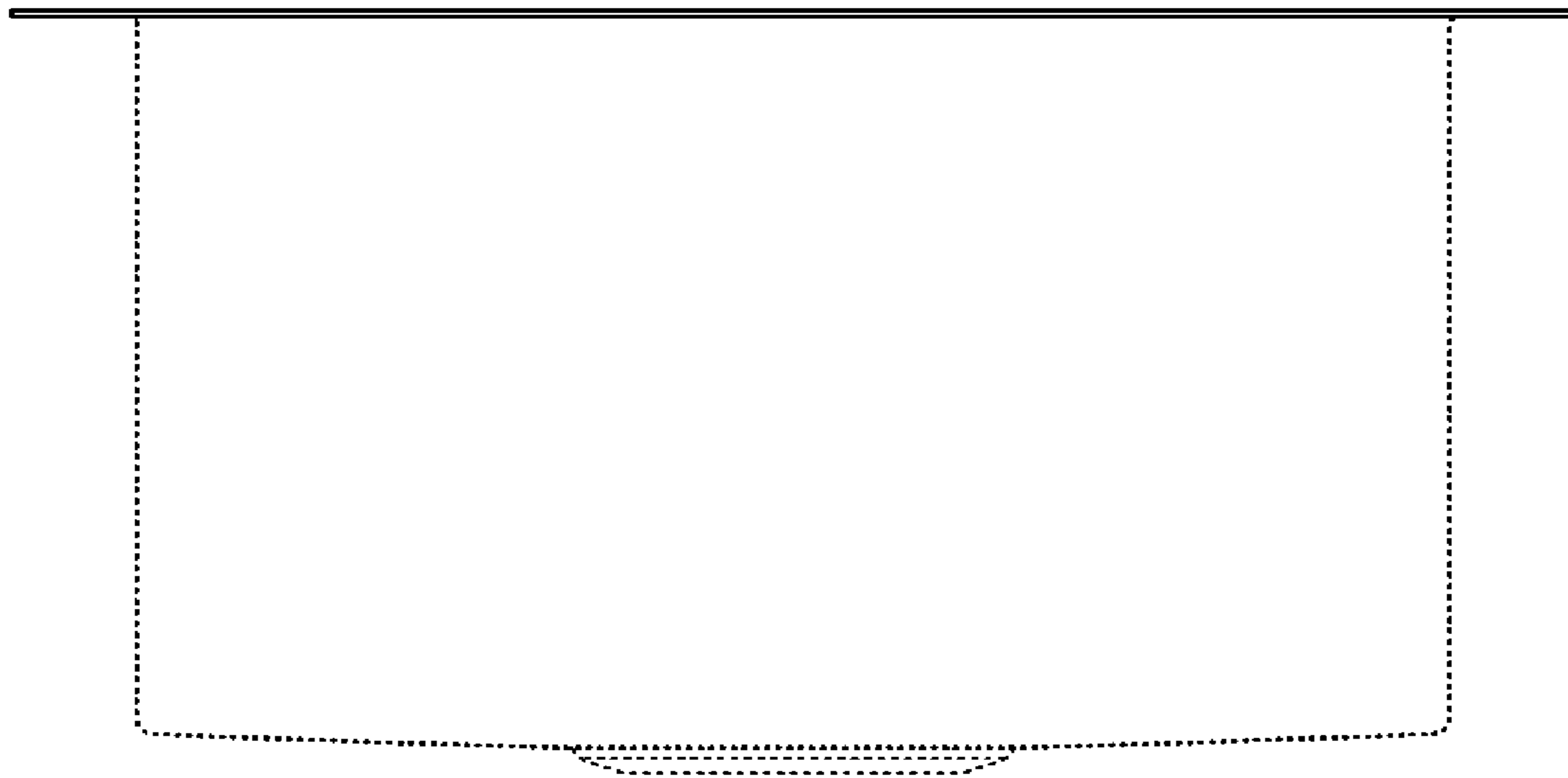


FIG. 6

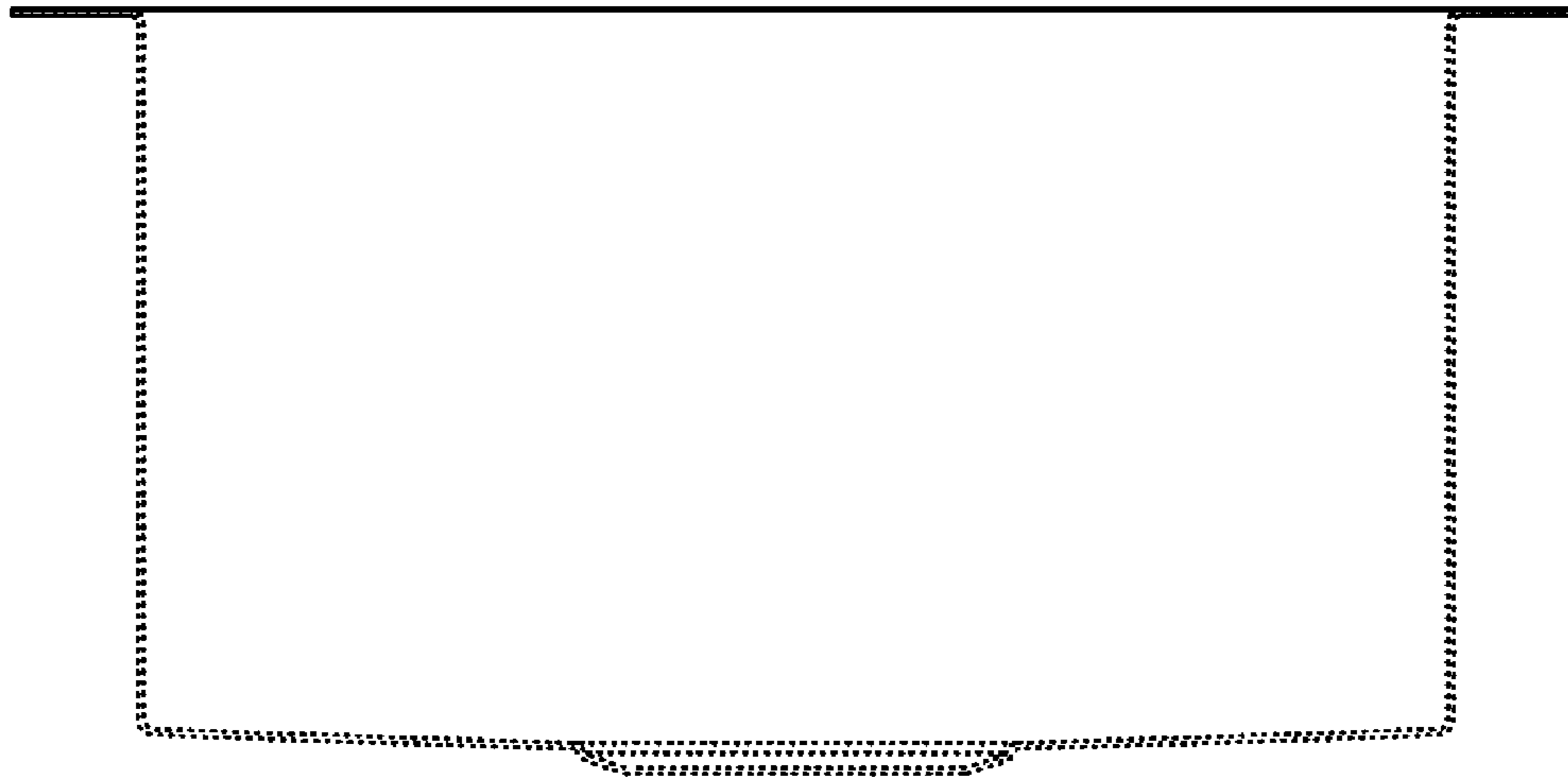


FIG. 7

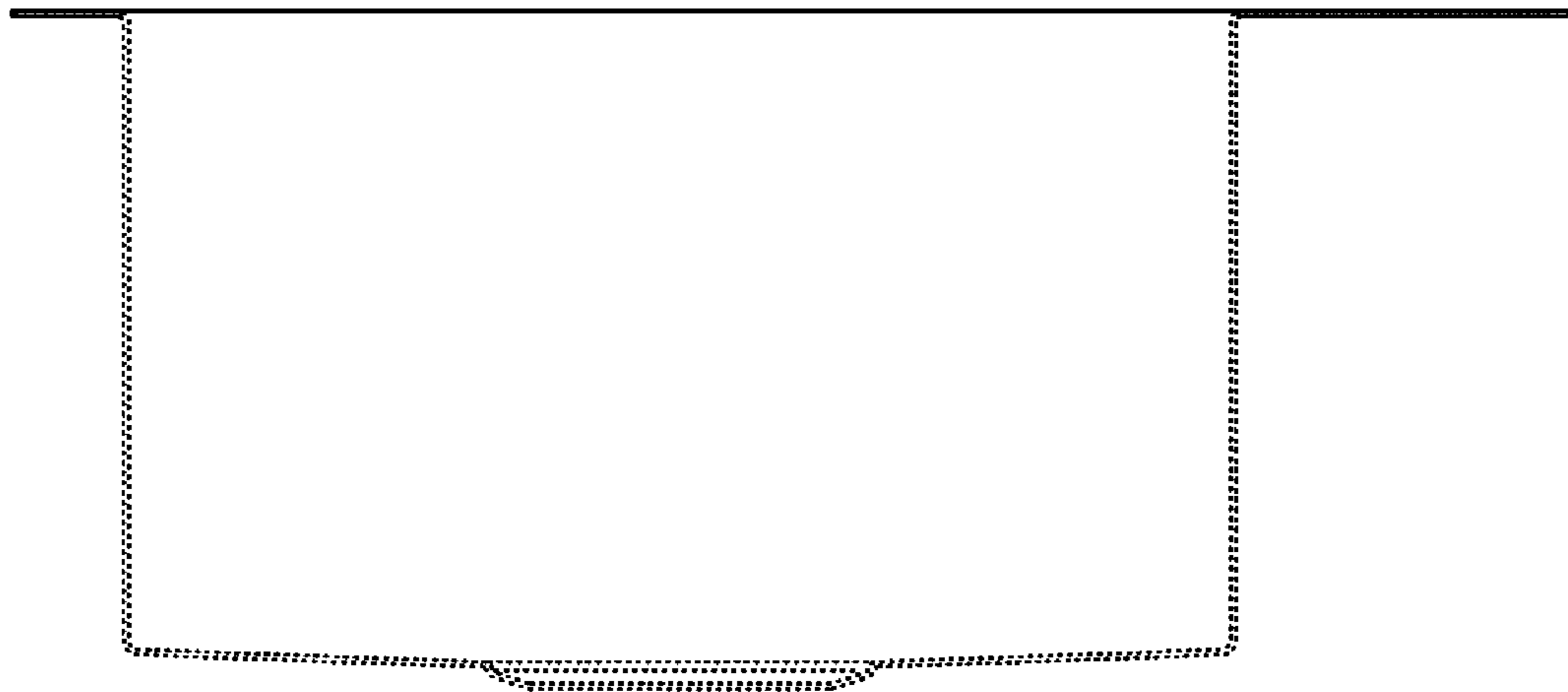


FIG. 8