



US00D656225S

(12) **United States Design Patent**
Dole et al.

(10) **Patent No.:** **US D656,225 S**
(45) **Date of Patent:** **** Mar. 20, 2012**

(54) **TEE FITTING**

(75) Inventors: **Douglas R. Dole**, Whitehouse Station, NJ (US); **Francis J. Giacalone**, Easton, PA (US); **Scott D. Madara**, Nazareth, PA (US)

(73) Assignee: **Victaulic Company**, Easton, PA (US)

(**) Term: **14 Years**

(21) Appl. No.: **29/399,182**

(22) Filed: **Aug. 10, 2011**

(51) **LOC (9) Cl.** **23-01**

(52) **U.S. Cl.** **D23/263**

(58) **Field of Classification Search** D23/259-263;
285/133.11, 133.21, 133.3, 133.4, 133.5,
285/133.6

See application file for complete search history.

(56) **References Cited**

U.S. PATENT DOCUMENTS

2,038,869 A * 4/1936 Rader 285/289.3
(Continued)

OTHER PUBLICATIONS

AMS Anderson Metals Corporation 1987; Reducing Tee's, 1 page.
(Continued)

Primary Examiner — T. Chase Nelson

Assistant Examiner — Eric Goodman

(74) *Attorney, Agent, or Firm* — Ballard Spahr LLP

(57) **CLAIM**

We claim the ornamental design for a tee fitting, as shown and described.

DESCRIPTION

FIG. 1 is an isometric view of an embodiment of our design for a tee fitting;

FIG. 2 is a front view of the design for the tee fitting shown in FIG. 1, the rear view being identical;

FIG. 3 is a top view of the design for the tee fitting shown in FIG. 1;

FIG. 4 is a bottom view of the design for the tee fitting shown in FIG. 1;

FIG. 5 is a left side view of the design for the tee fitting shown in FIG. 1, the right side view being identical;

FIG. 6 is a longitudinal sectional view along line 6-6 as shown in FIG. 3;

FIG. 7 is an isometric view of another embodiment of our design for a tee fitting;

FIG. 8 is a front view of the design for the tee fitting shown in FIG. 7, the rear view being identical;

FIG. 9 is a top view of the design for the tee fitting shown in FIG. 7;

FIG. 10 is a bottom view of the design for the tee fitting shown in FIG. 7;

FIG. 11 is a left side view of the design for the tee fitting shown in FIG. 7, the right side view being identical;

FIG. 12 is a longitudinal sectional view along line 12-12 as shown in FIG. 9;

FIG. 13 is an isometric view of another embodiment of our design for a tee fitting;

FIG. 14 is a front view of the design for the tee fitting shown in FIG. 13, the rear view being identical;

FIG. 15 is a top view of the design for the tee fitting shown in FIG. 13;

FIG. 16 is a bottom view of the design for the tee fitting shown in FIG. 13;

FIG. 17 is a left side view of the design for the tee fitting shown in FIG. 13, the right side view being identical;

FIG. 18 is a longitudinal sectional view along line 18-18 as shown in FIG. 15;

FIG. 19 is an isometric view of another embodiment of our design for a tee fitting;

FIG. 20 is a front view of the design for the tee fitting shown in FIG. 19, the rear view being identical;

FIG. 21 is a top view of the design for the tee fitting shown in FIG. 19;

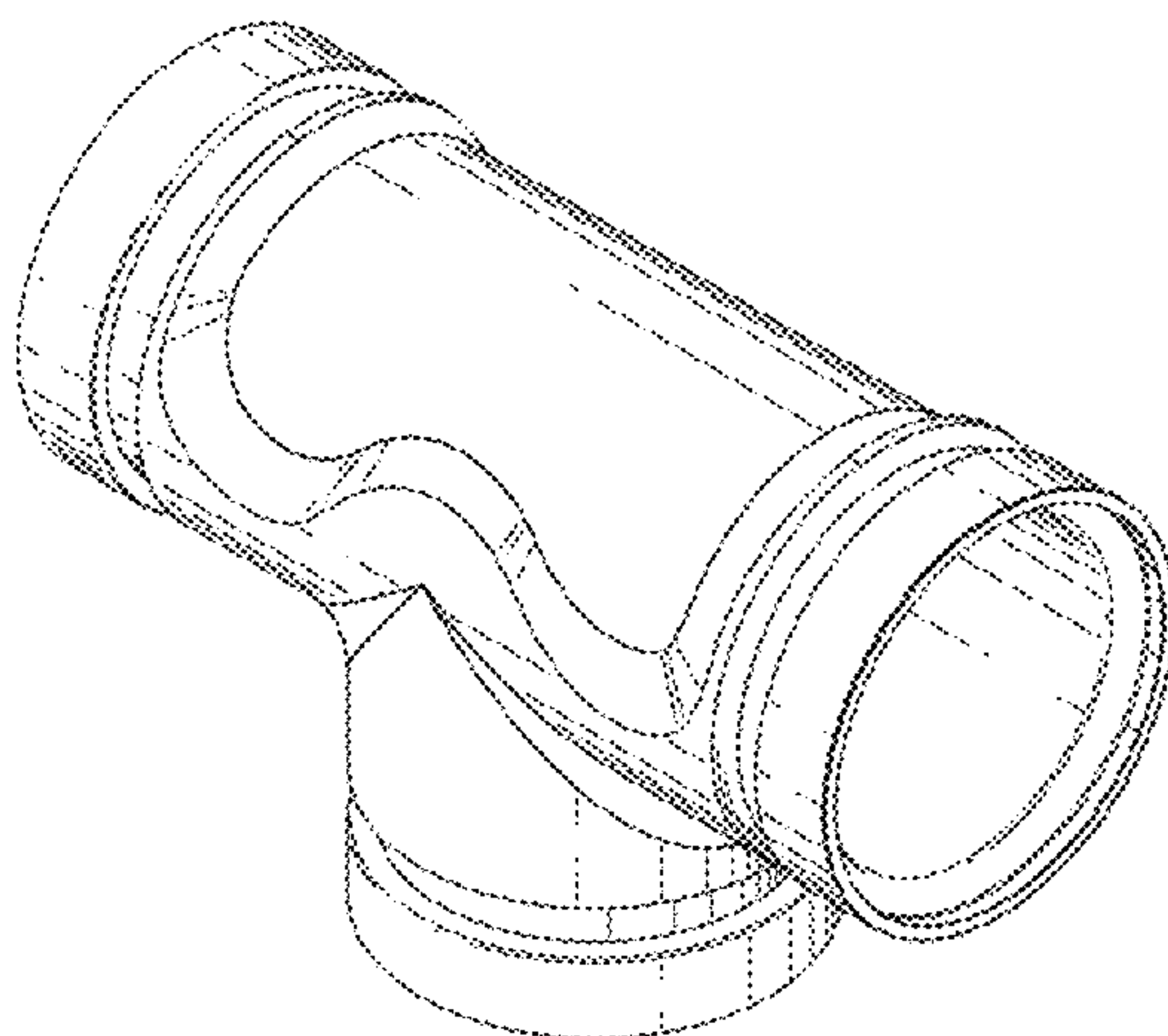
FIG. 22 is a bottom view of the design for the tee fitting shown in FIG. 19;

FIG. 23 is a left side view of the design for the tee fitting shown in FIG. 19, the right side view being identical; and,

FIG. 24 is a longitudinal sectional view along line 24-24 as shown in FIG. 21.

The broken lines shown in FIGS. 7, 10-12, 19, and 22-24 are for purposes of illustrating portions of the tee fitting that form no part of the claimed design.

1 Claim, 8 Drawing Sheets



U.S. PATENT DOCUMENTS

2,038,870	A *	4/1936	Rader et al.	285/289.3
135,633	A	5/1943	Stark et al.	
D135,633	S *	5/1943	Stark	D23/263
D163,487	S *	5/1951	Schustack	D23/263
2,751,237	A *	6/1956	Conley	285/133.4
3,976,314	A	8/1976	Graham	
D291,480	S	8/1987	Vassallo et al.	
4,703,956	A	11/1987	Keech	
4,848,396	A	7/1989	Sisk	
4,889,318	A	12/1989	Sisk	
D354,801	S	1/1995	Grant et al.	
D358,202	S *	5/1995	Sisk	D23/263
D389,562	S	1/1998	Picton	
D454,940	S *	3/2002	Hoenig	D23/259
D480,786	S	10/2003	Wilk, Jr. et al.	
D481,109	S	10/2003	Dole et al.	
D481,110	S	10/2003	Snyder, Sr. et al.	
D516,686	S	3/2006	Wilk, Jr. et al.	
D517,176	S	3/2006	Wilk, Jr. et al.	
D630,305	S *	1/2011	Adams et al.	D23/259
D634,819	S *	3/2011	Leroyer	D23/263

OTHER PUBLICATIONS

No Author; SAN-EI '97 Bath-Room, Kitchen, Lavatory, Utility, Garden & Barrier Free (item HC09015766); Catalog; Aug. 18, 1997; p. 90.

No Author; HD 04014529; Isiflo Universal Typenliste; Catalog; Feb. 1990; pp. 1, 7 and 158.

No Author; PE883 Tectite Brochure 1.07; The Tectite Push-Fit Jointing System; No Date; downloaded Aug. 15, 2008; pp. 1-20.

No Author; Conex Delcop End Fee Product Range—IBP Conex UK; No Date; Website Catalog; accessed Aug. 12, 2011 at <http://www.ibpconex.co.uk/viewRange.php?id=11>; pp. 1-4.

No Author; >B< Press Product Range—IBP Conex UK; No Date; Website Catalog; accessed Aug. 12, 2011 at <http://www.ibpconex.co.uk/viewRange.php?id=1>; pp. 1-2.

No Author; No. 20-CS AWWA tee Side Outlet; No Date; Victaulic Online Catalog; accessed Aug. 11, 2011 at <http://www.victaulic.com/inCommerce/Detail.aspx?view=22&CatID=1&deptid=1&useDe>; 1 page.

No Author; No. W20 AGS tee; No Date; Victaulic Online Catalog; accessed Aug. 11, 2011 at <http://www.victaulic.com/inComerce/Detail.aspx?view=22&CatID=1&deptid=1&useDe>; 1 page.

No Author; No. 20A Aluminum Tee; No Date; Victaulic Online Catalog; accessed Aug. 11, 2011, at <http://www.victaulic.com/inCommerce/Detail.aspx?view=22&CatID=1&deptid=1&useDe>; 1 page.

No Author; No. 002 FireLock Straight Tee; No Date; Victaulic Online Catalog; accessed Aug. 11, 2011, at <http://www.victaulic.com/Detail.aspx?view=22&CatID=1&useDe>; 1 page.

* cited by examiner

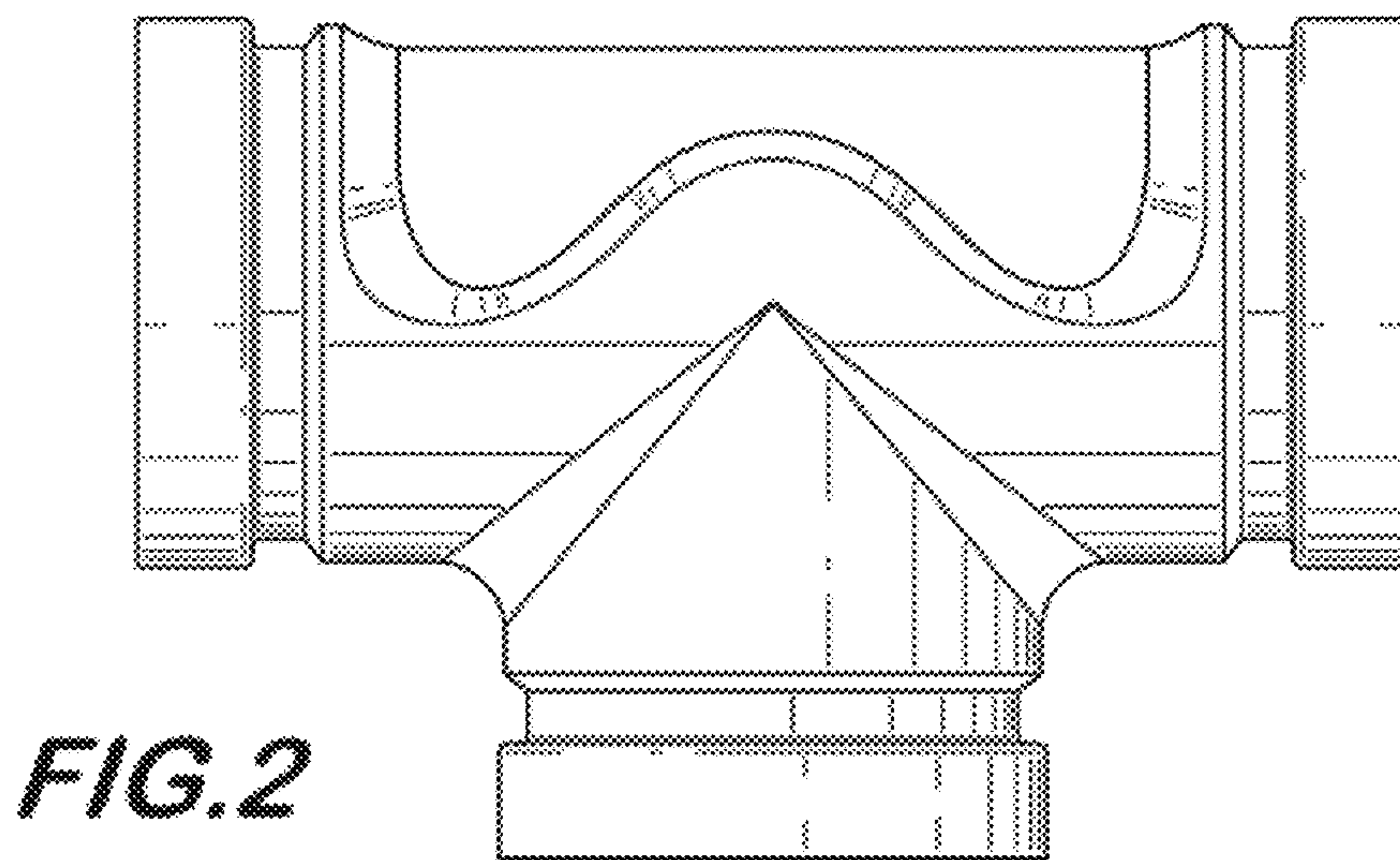
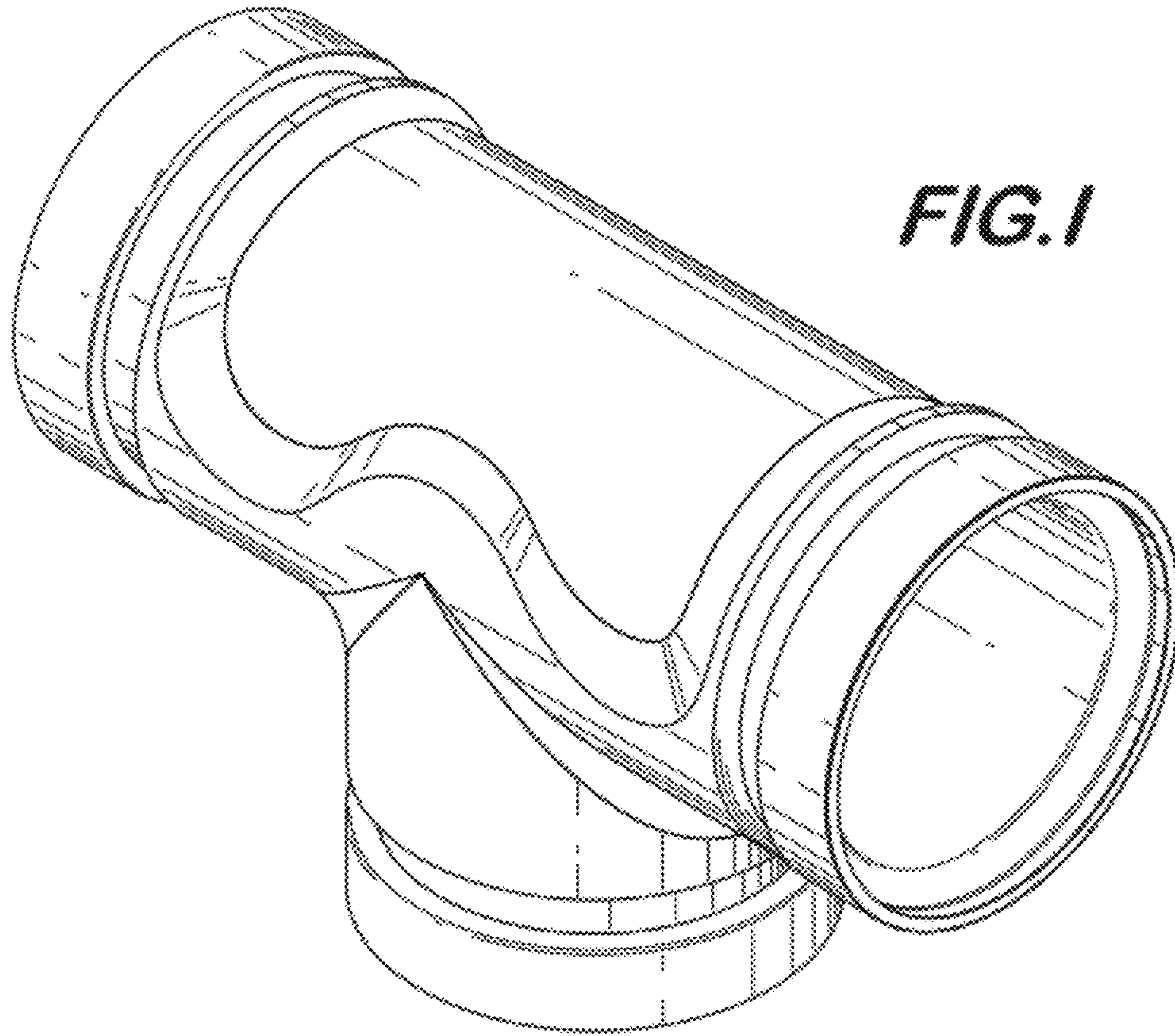


FIG. 3

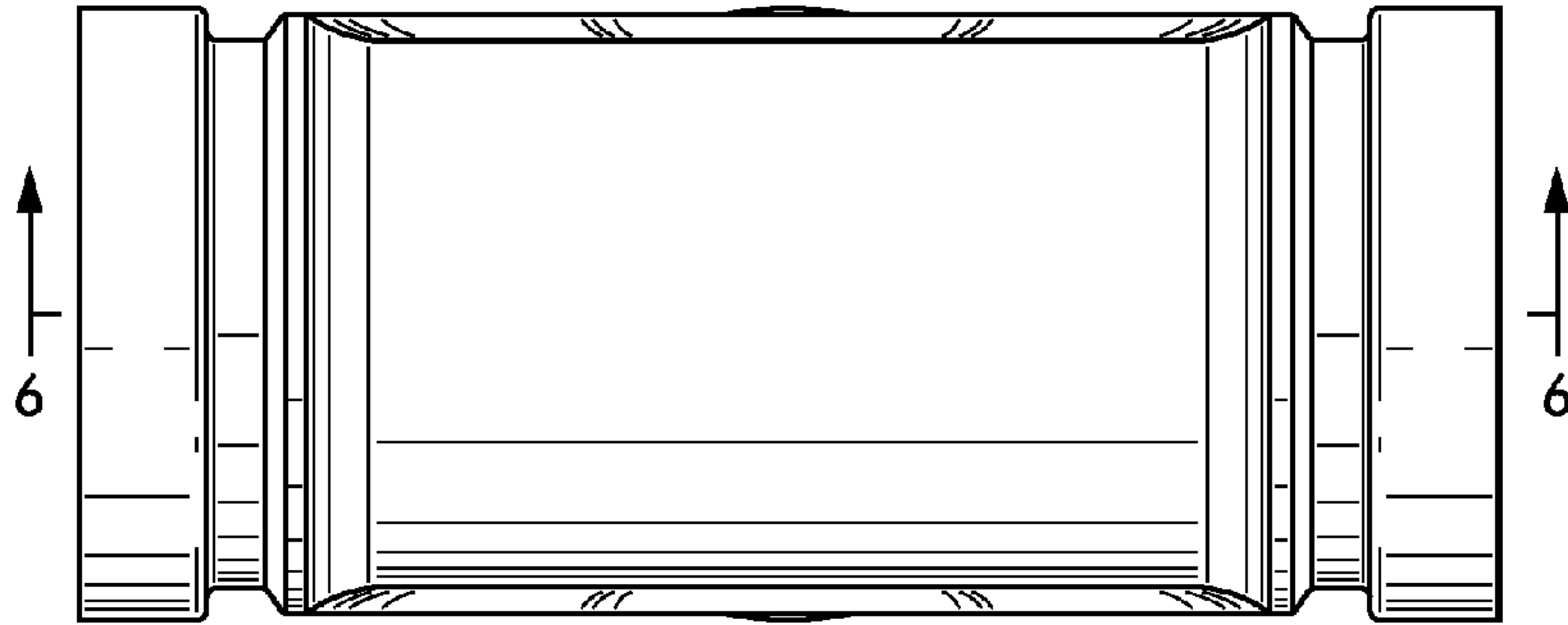


FIG. 4

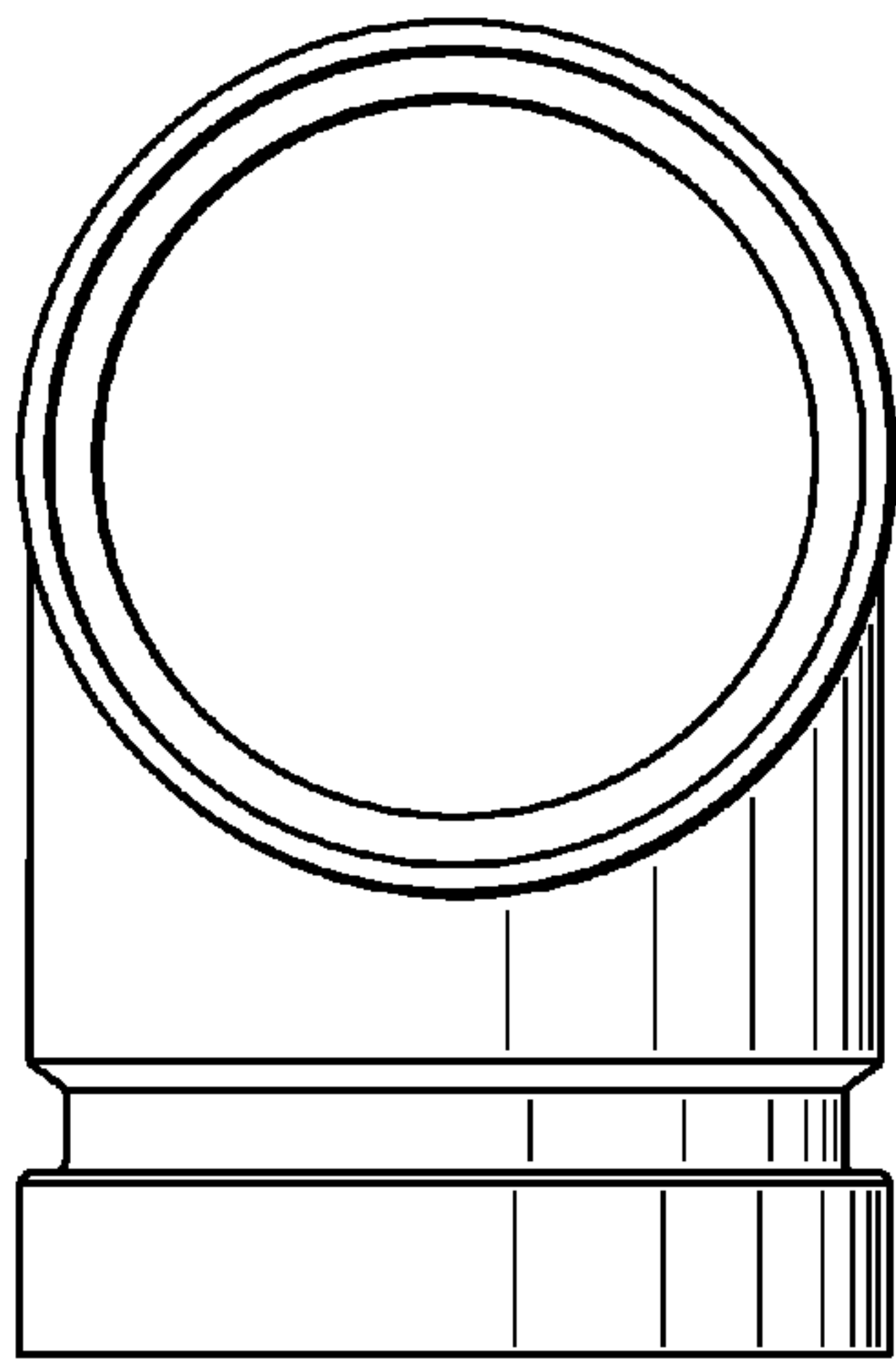
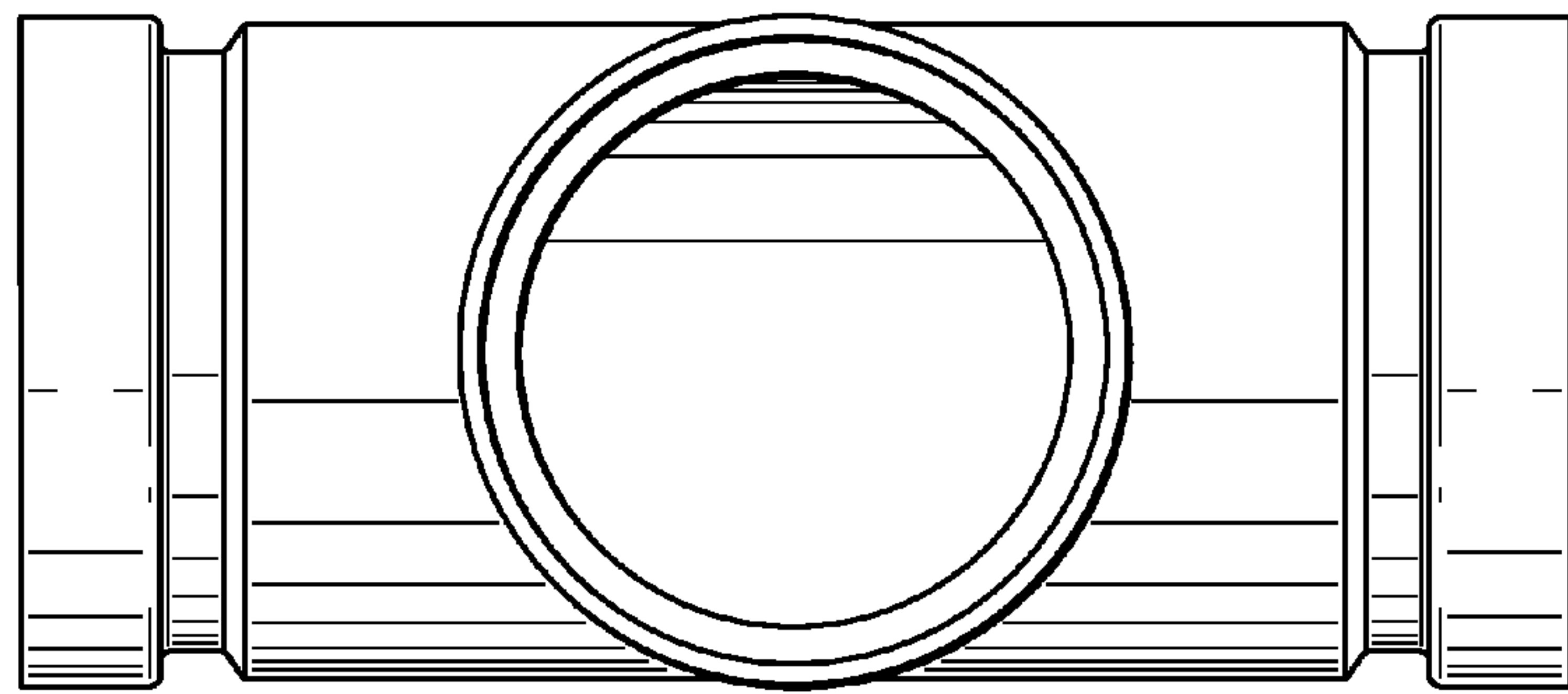
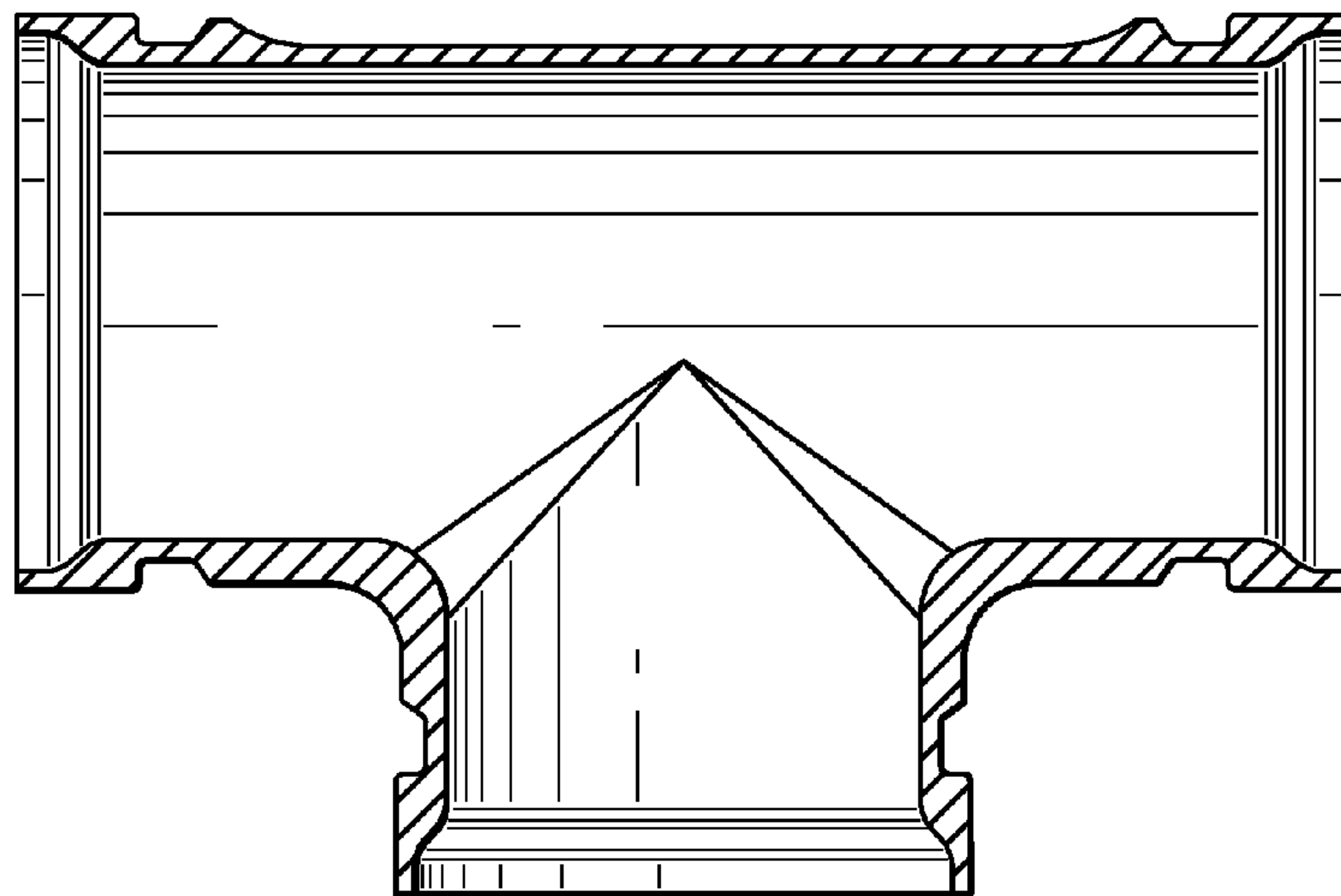


FIG. 5

FIG. 6



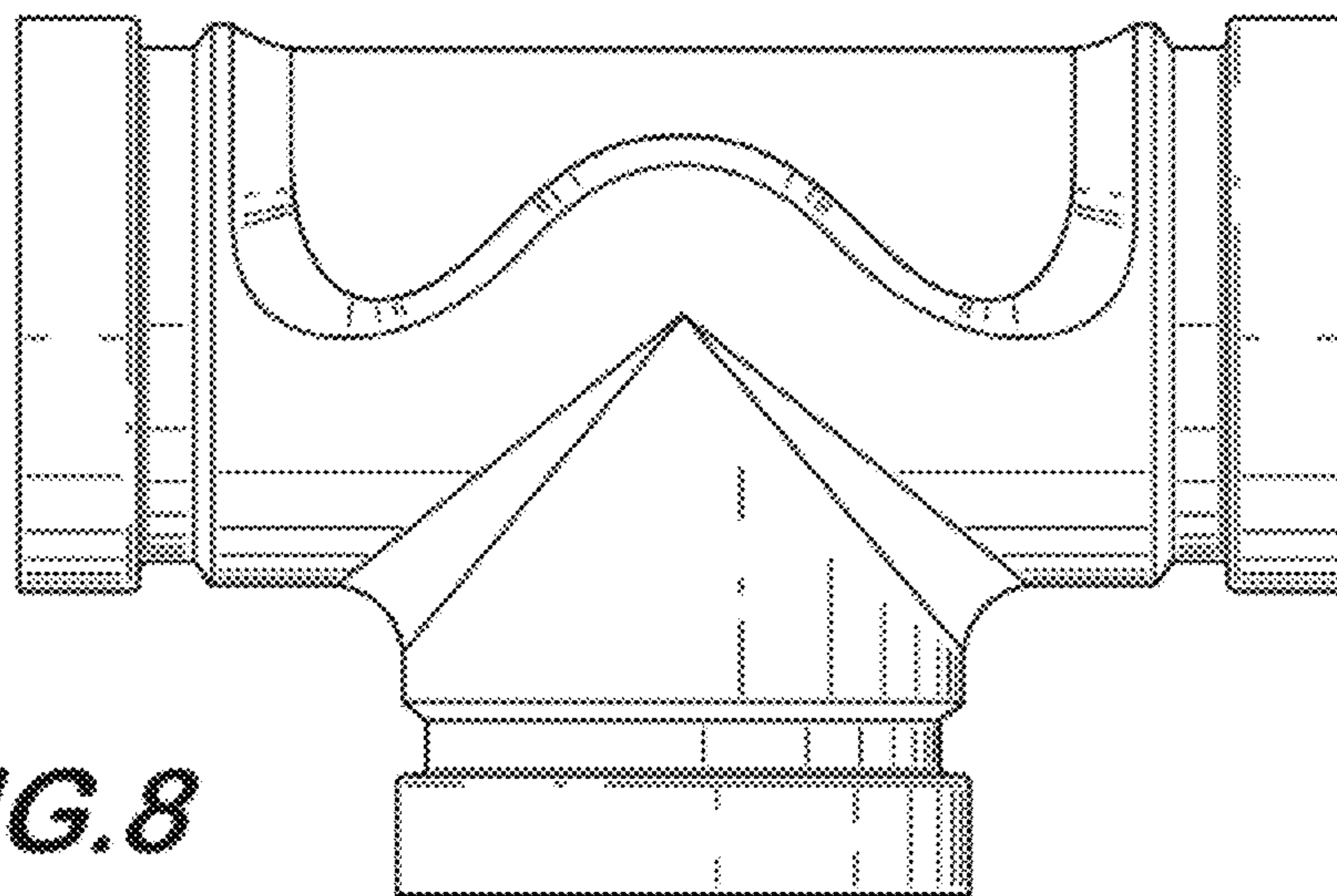
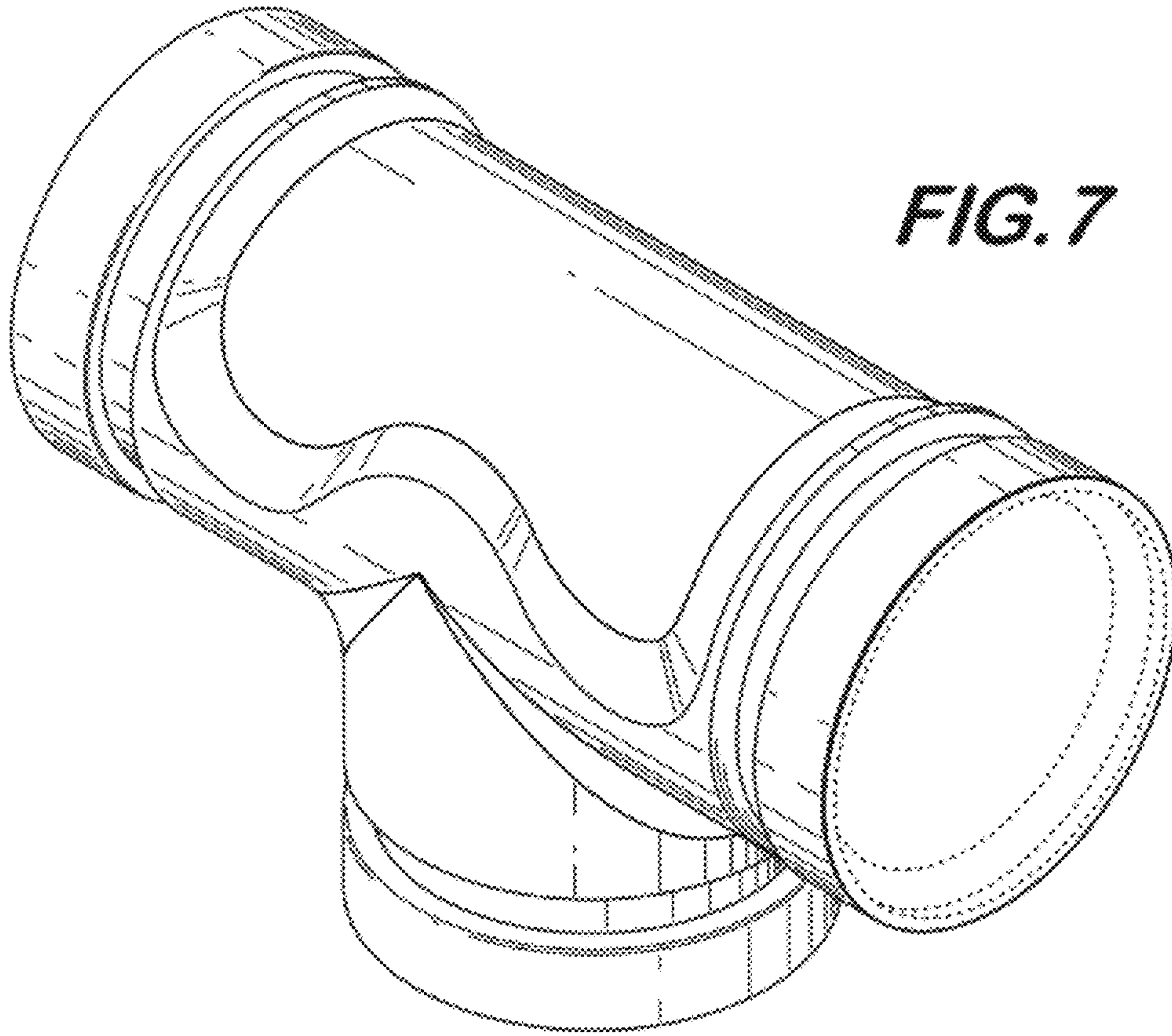


FIG. 9

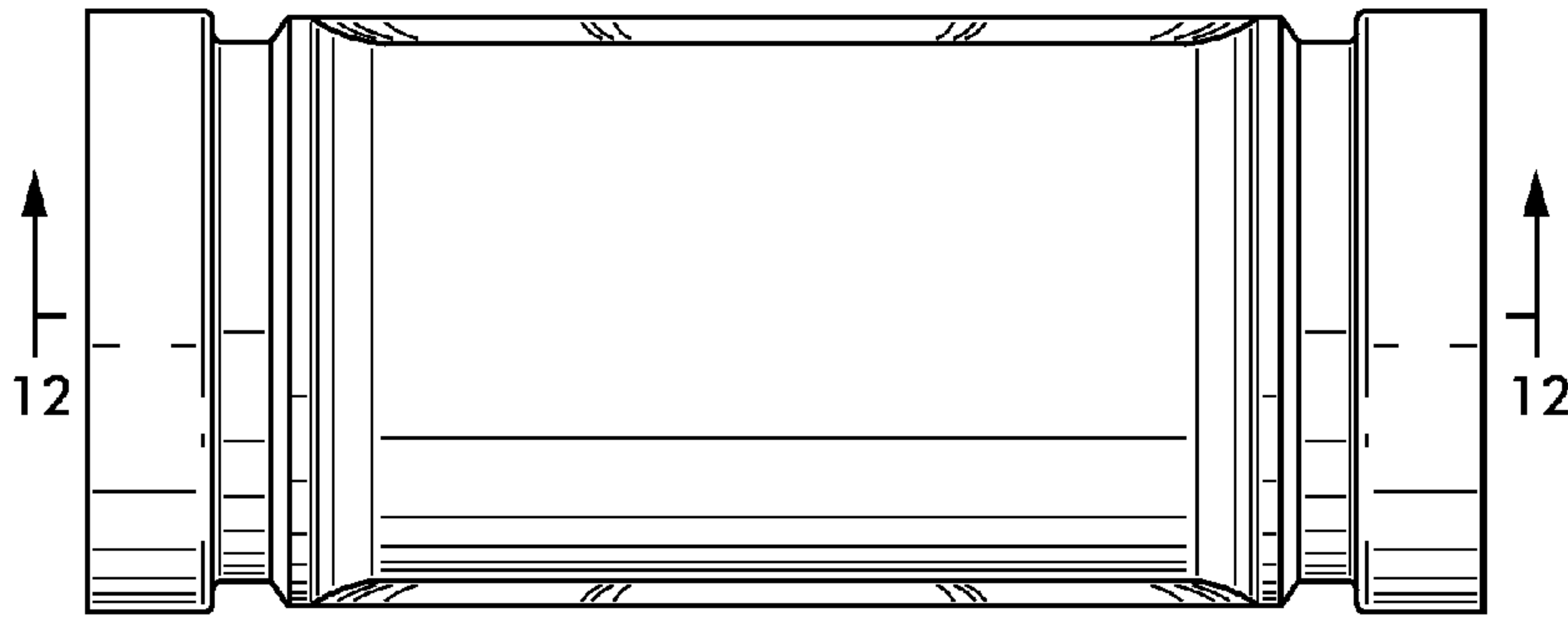


FIG. 10

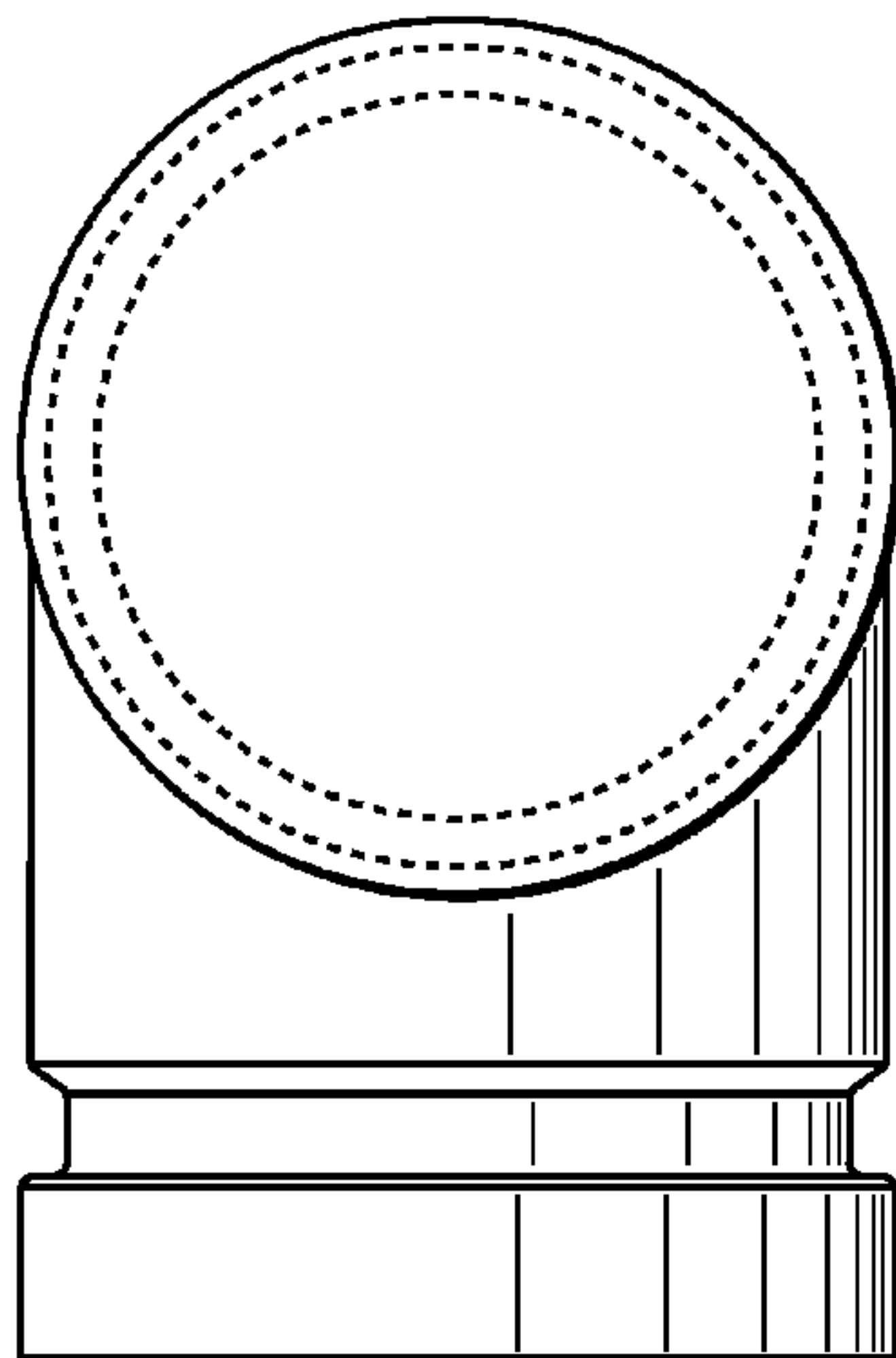
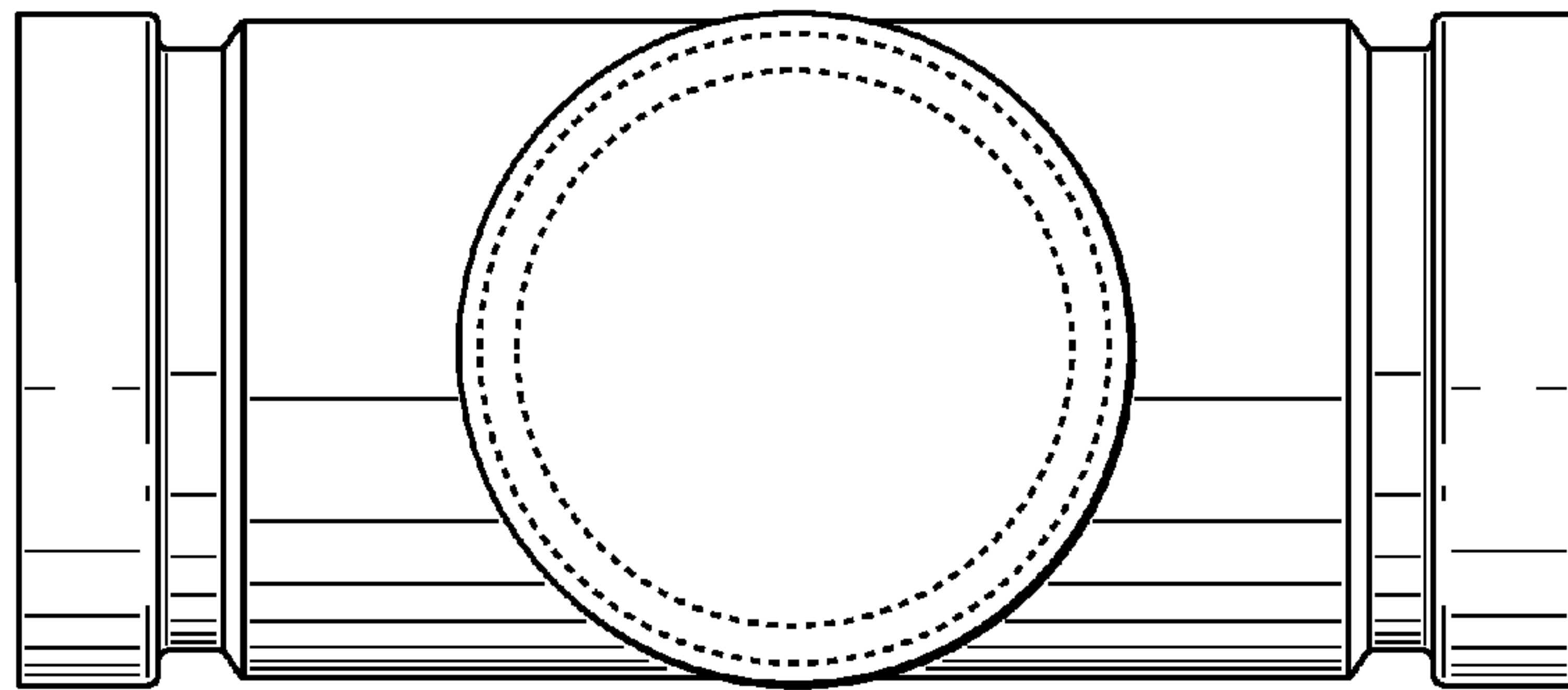
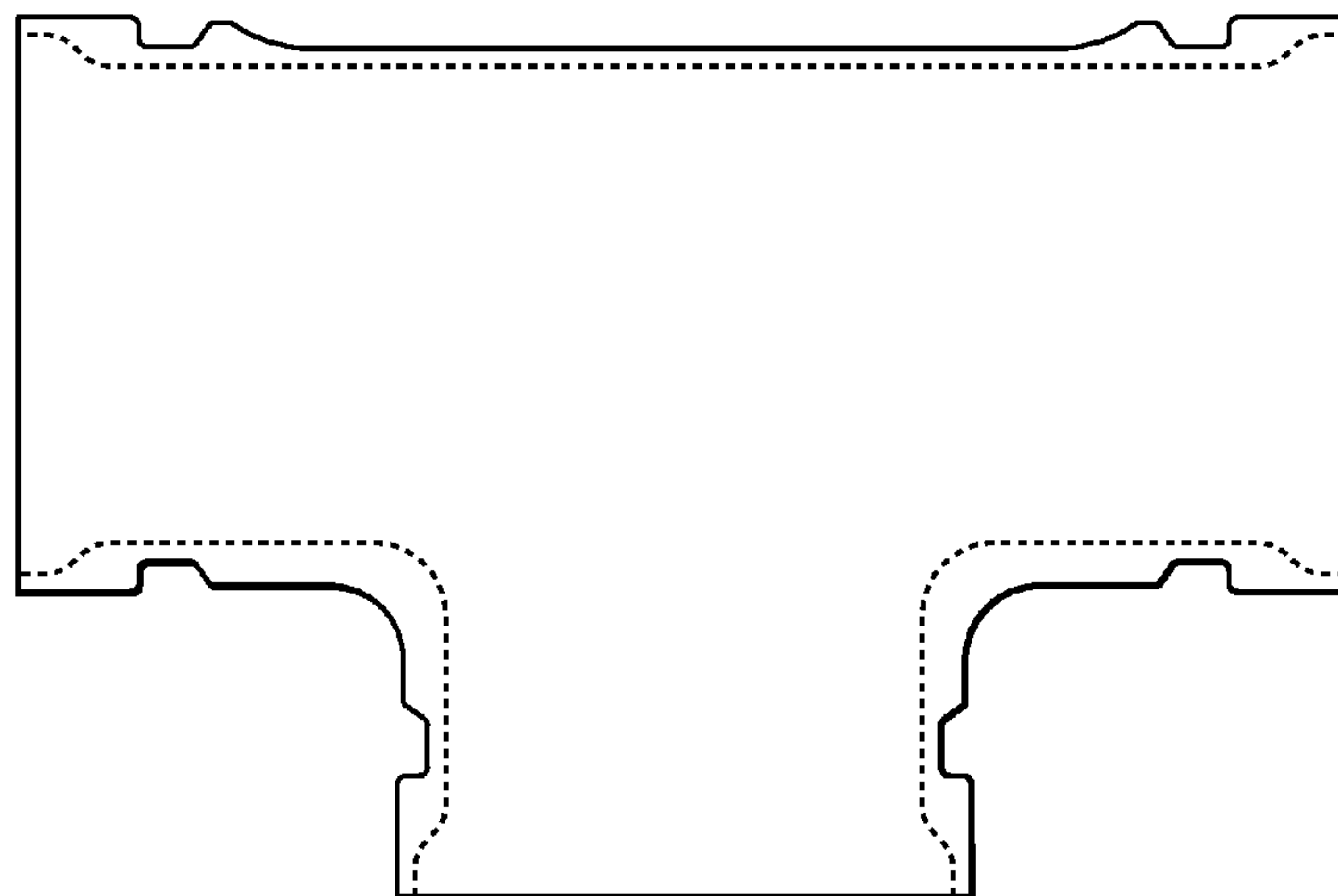


FIG. 11

FIG. 12



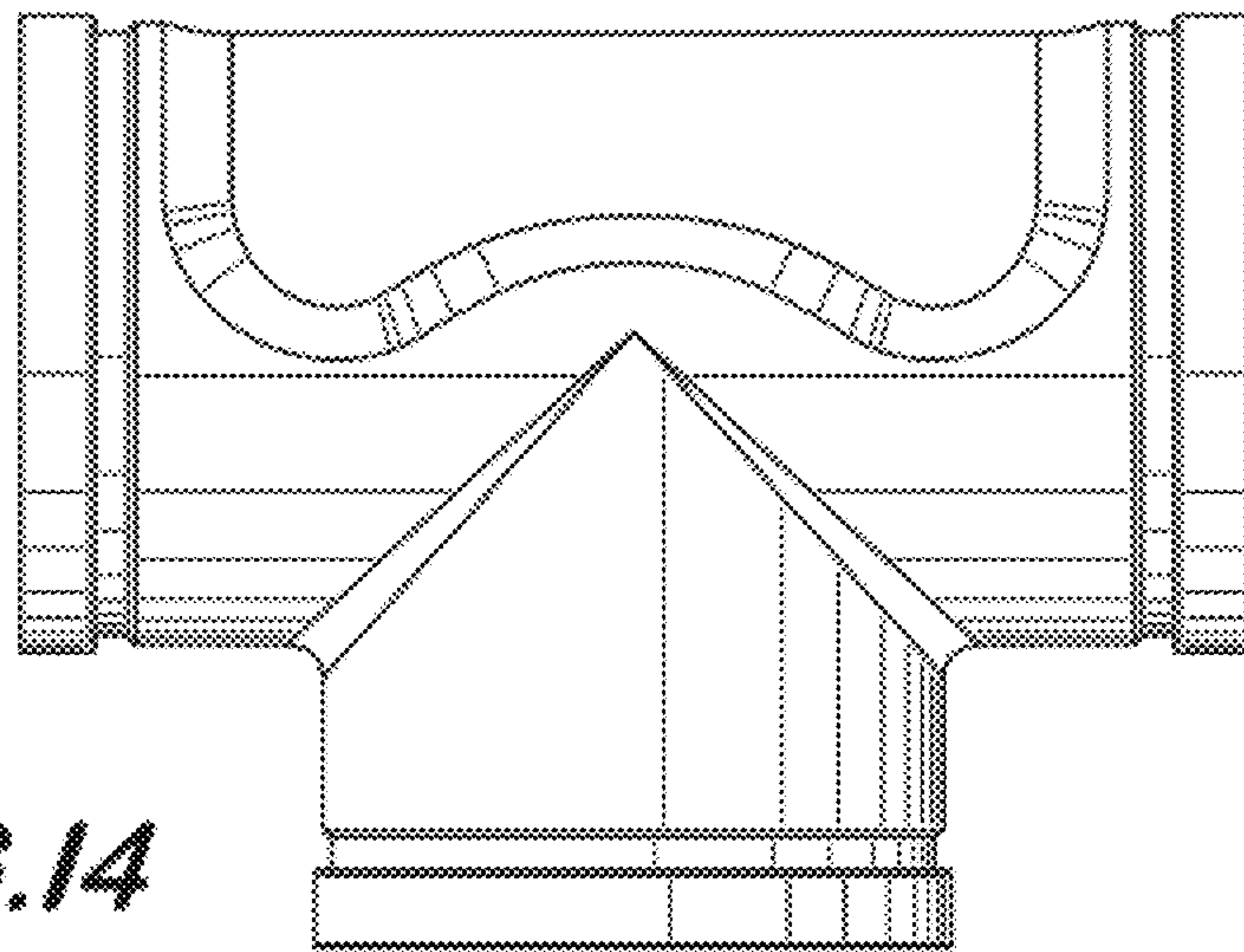
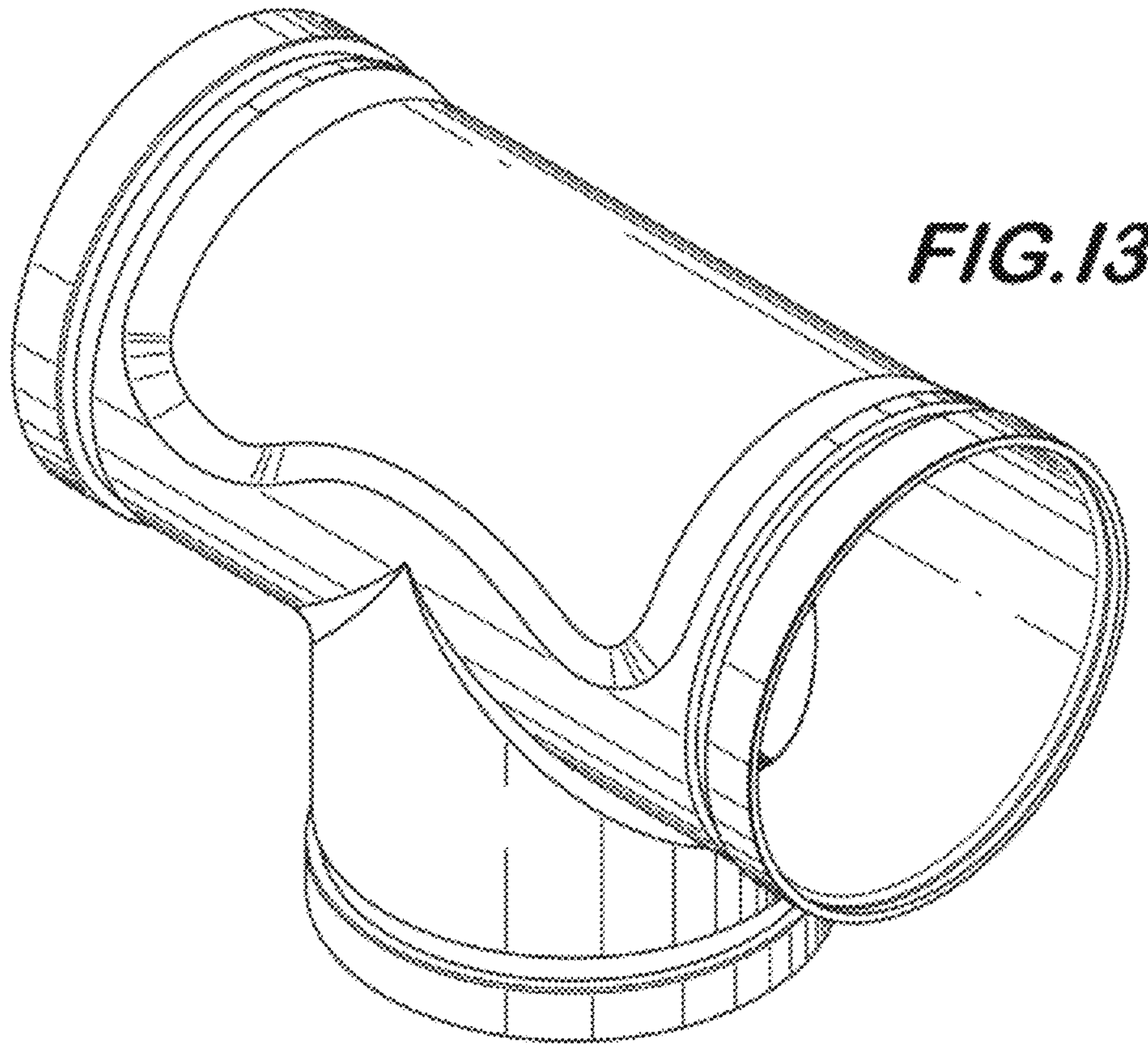


FIG.15

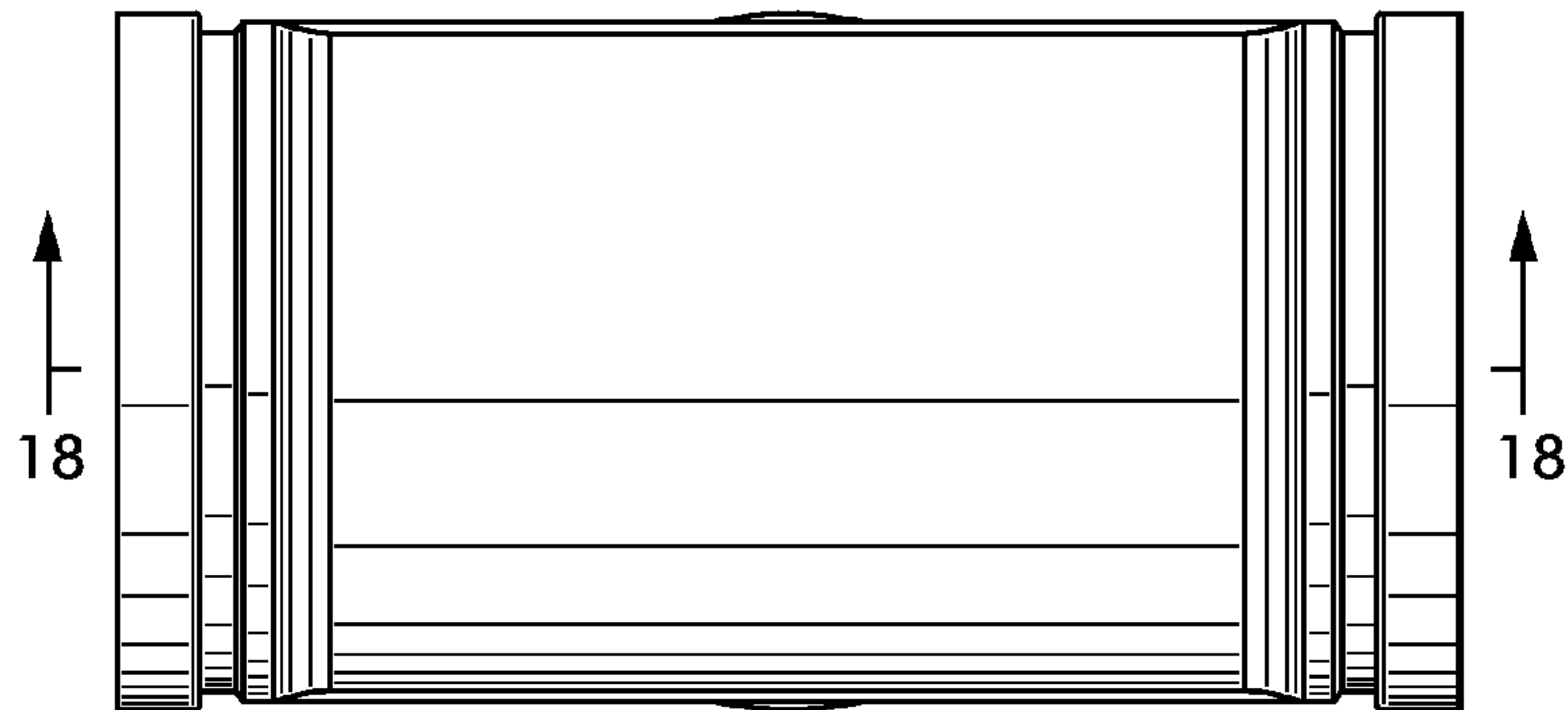


FIG.16

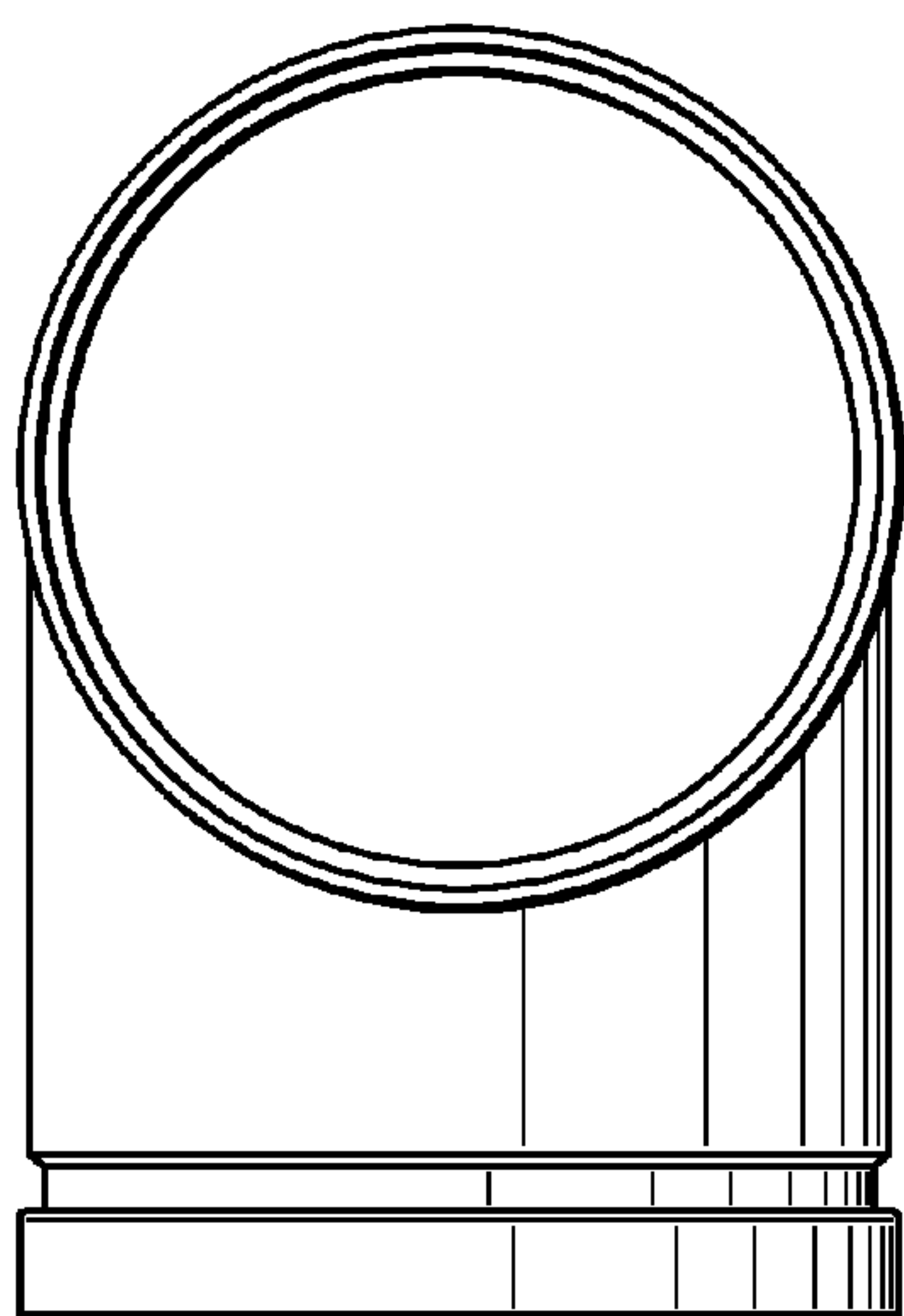
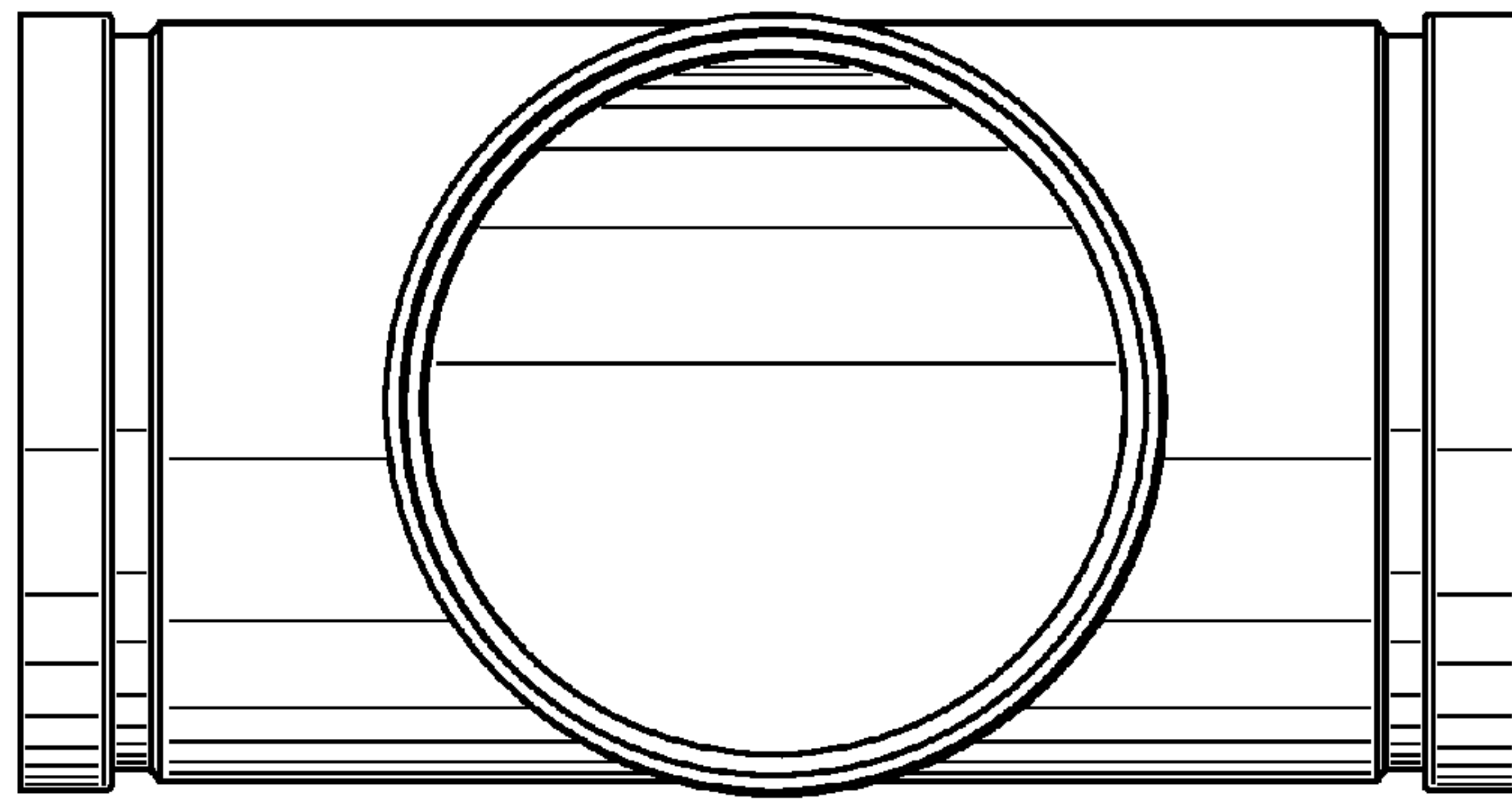


FIG.17

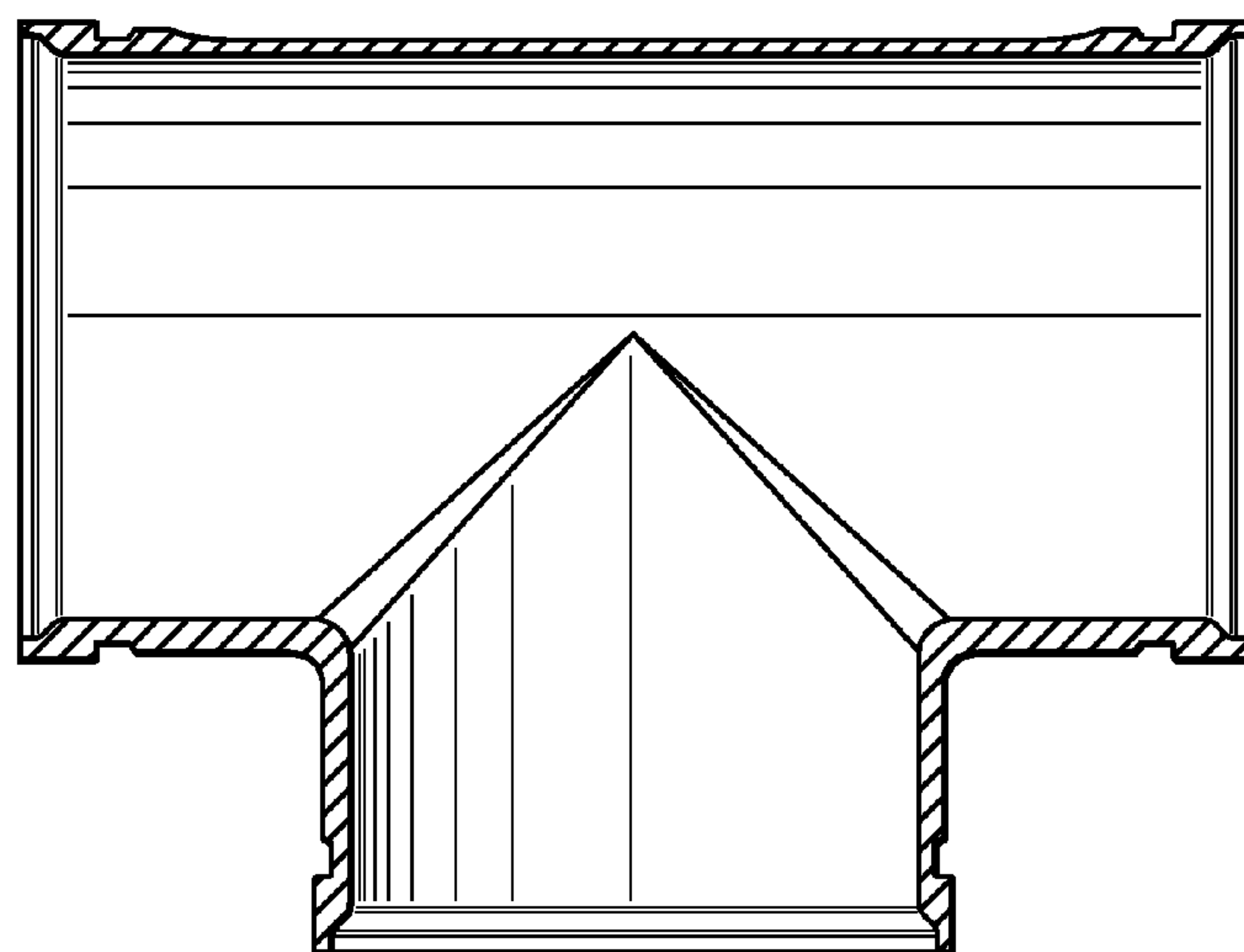


FIG.18

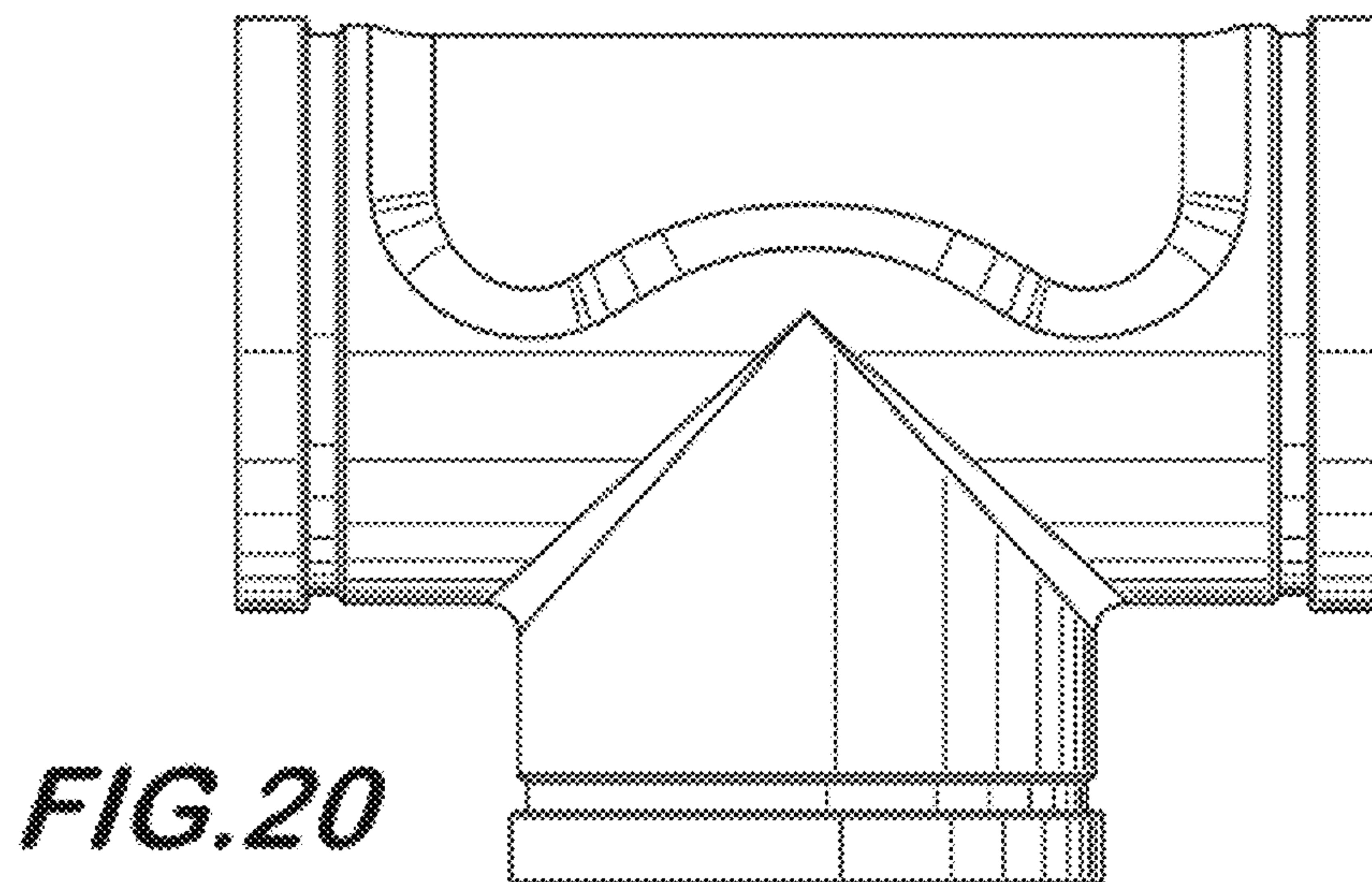
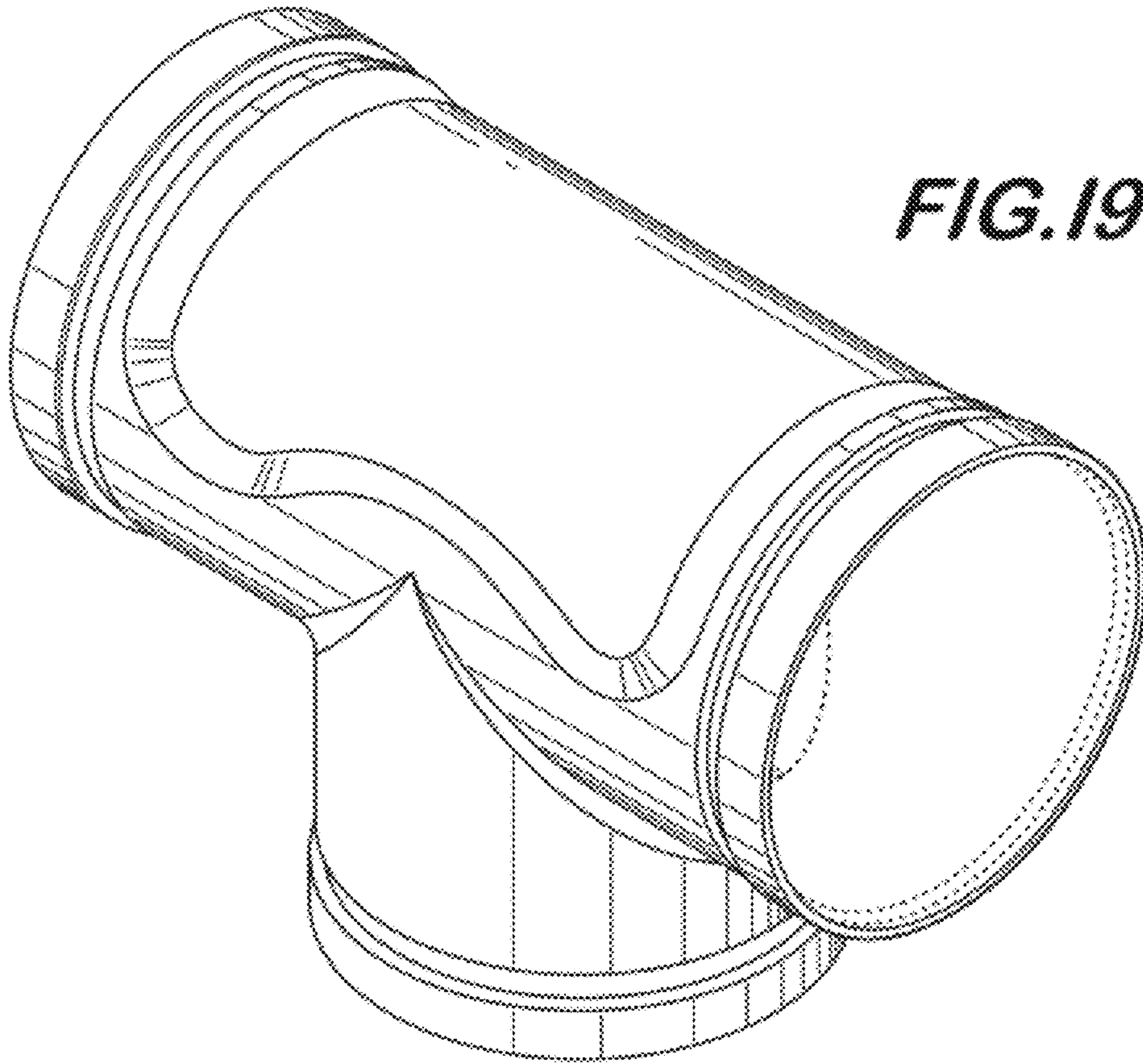


FIG. 21

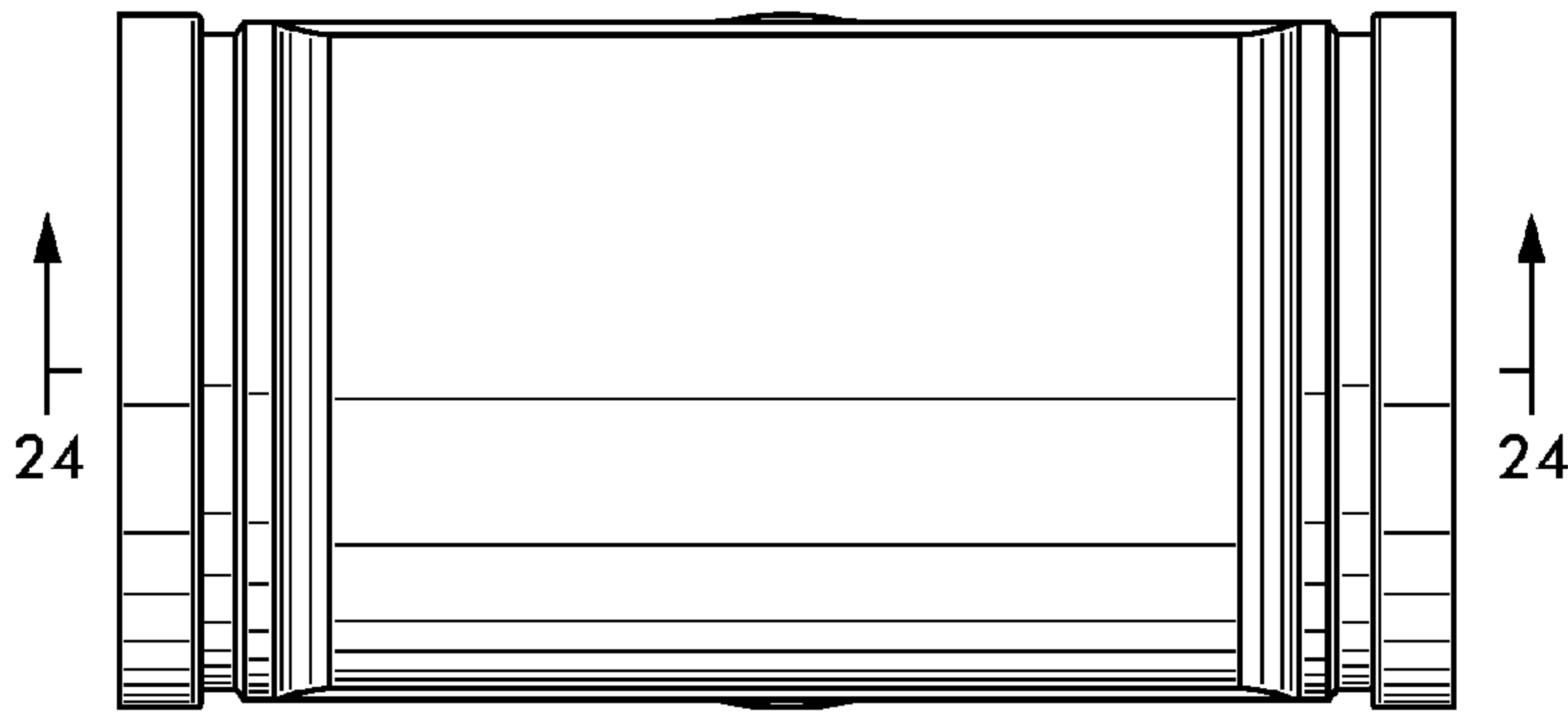


FIG. 22

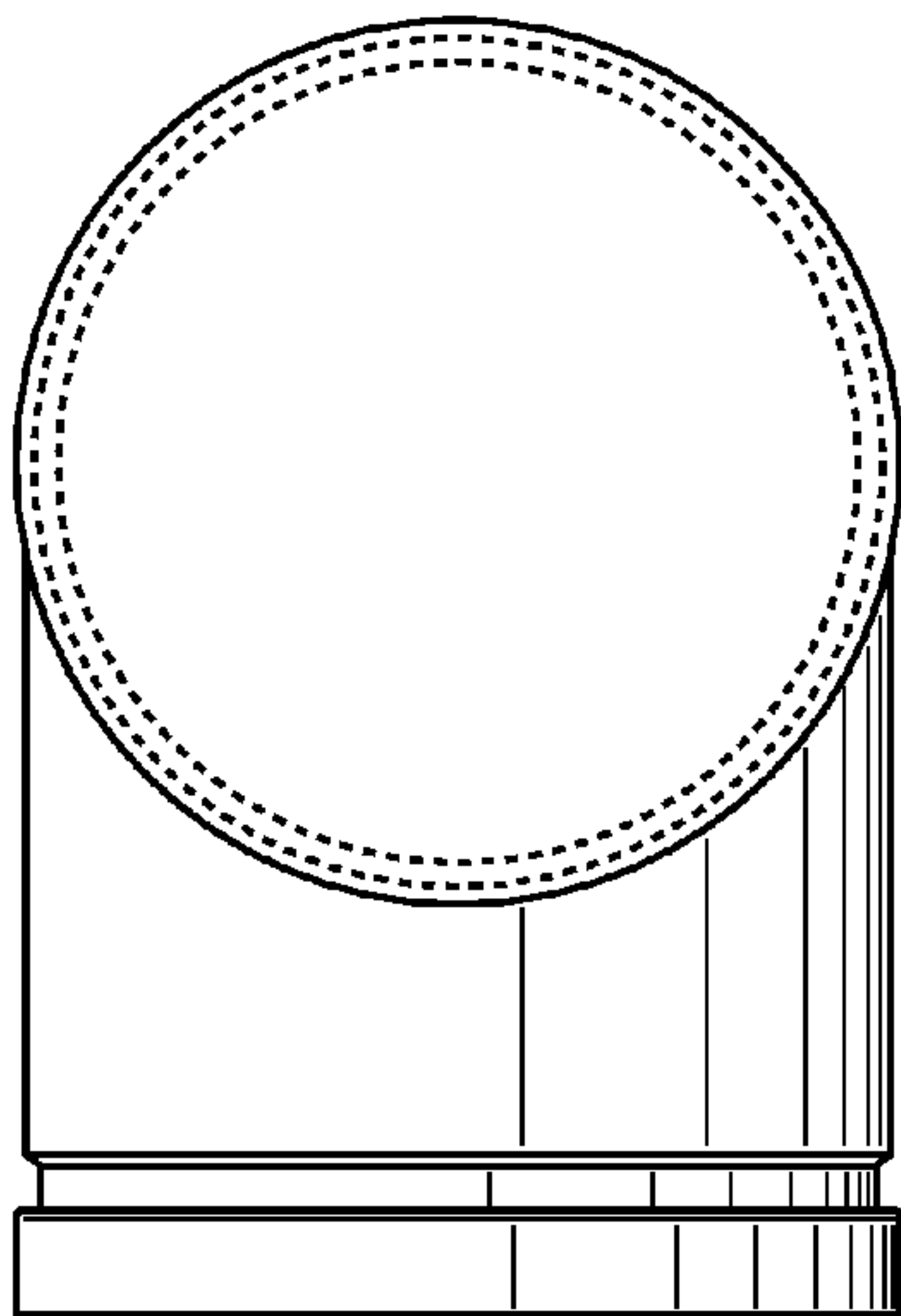
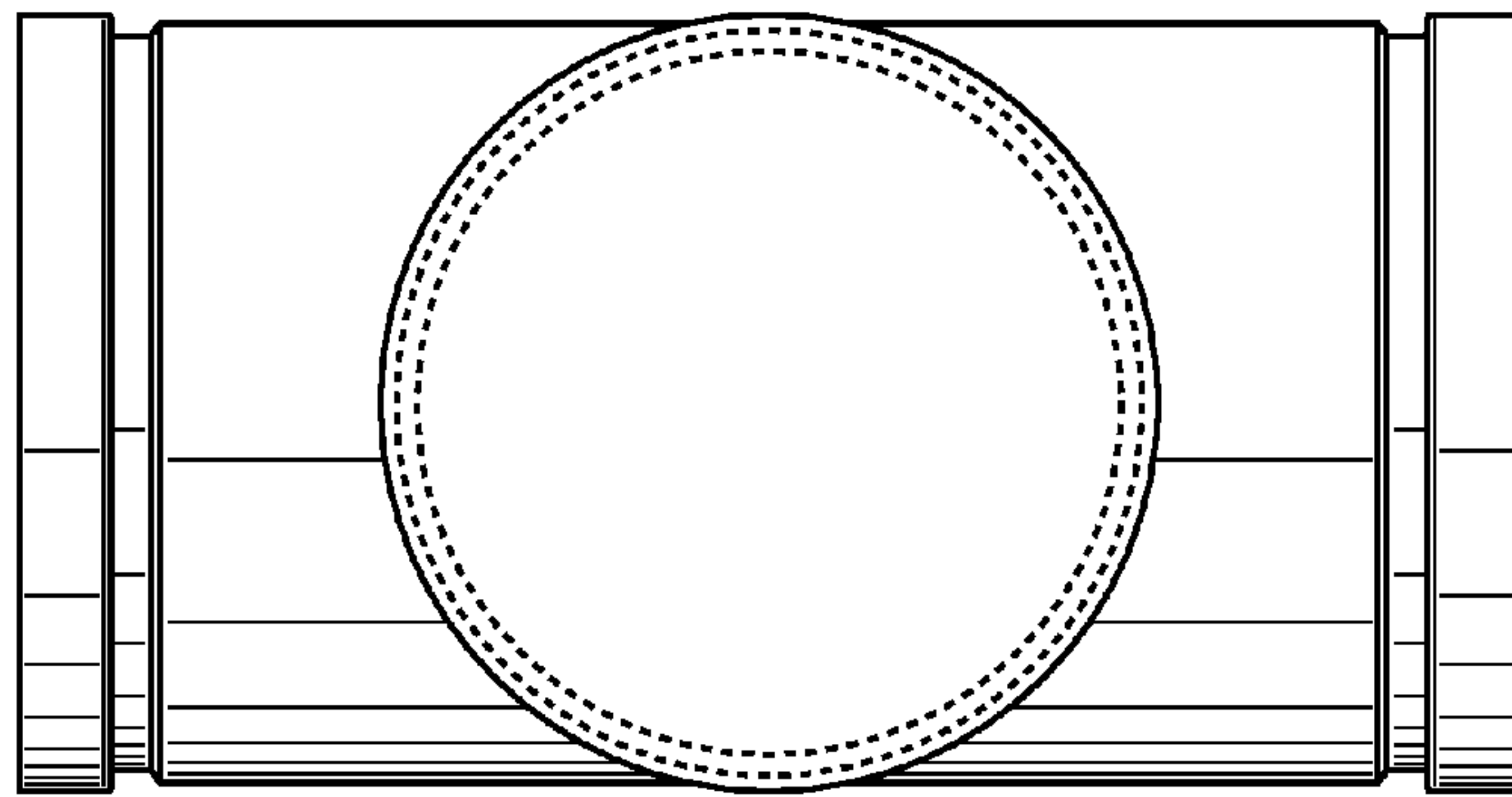


FIG. 23

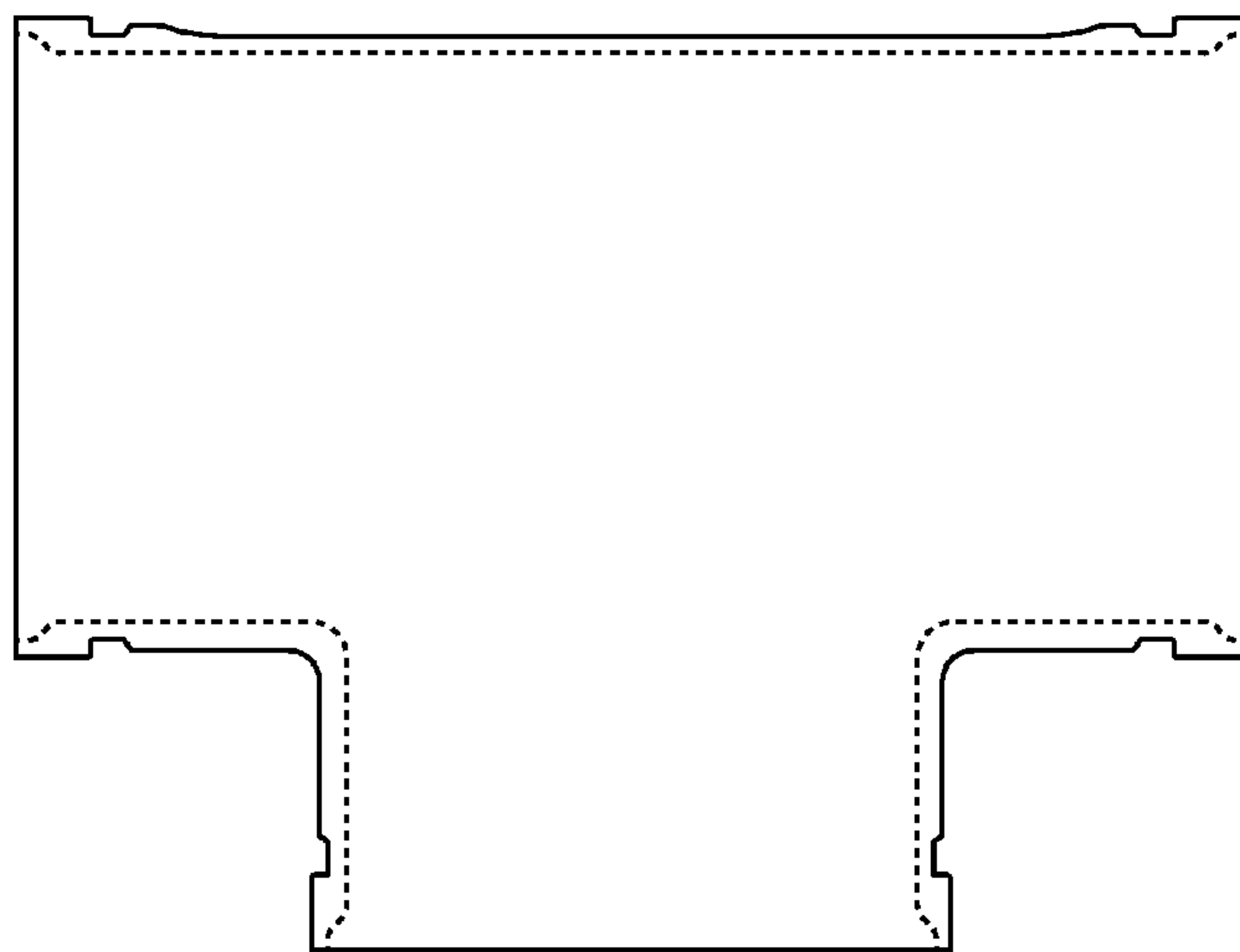


FIG. 24