

US00D656224S

(12) **United States Design Patent**
Roys

(10) **Patent No.:** **US D656,224 S**
(45) **Date of Patent:** **** Mar. 20, 2012**

(54) **FLUID DIVIDER BLOCK**

(75) Inventor: **Curtis Roys**, Midland, TX (US)

(73) Assignee: **Coltec Industrial Products LLC**,
Charlotte, NC (US)

(**) Term: **14 Years**

(21) Appl. No.: **29/361,348**

(22) Filed: **May 10, 2010**

Related U.S. Application Data

(60) Continuation of application No. 29/331,773, filed on Jan. 30, 2009, now Pat. No. Des. 615,619, which is a division of application No. 11/405,383, filed on Apr. 17, 2006, which is a continuation of application No. 10/816,212, filed on Apr. 1, 2004, now Pat. No. 7,096,889.

(51) **LOC (9) Cl.** **23-01**

(52) **U.S. Cl.** **D23/233**

(58) **Field of Classification Search** D23/233-237,
D23/200; 137/262, 269, 271, 561 A, 118.01,
137/118.02, 119.01, 884; 210/416.5

See application file for complete search history.

(56) **References Cited**

U.S. PATENT DOCUMENTS

3,111,139	A	11/1963	Beckett et al.
3,219,146	A	11/1965	Leese et al.
3,298,460	A	1/1967	Porter et al.
3,409,104	A	11/1968	Acker et al.
3,515,245	A	6/1970	Obergefell et al.
3,756,274	A	9/1973	Wolfgramm

4,082,324	A	4/1978	Obrecht
4,105,094	A	8/1978	Callahan
4,312,425	A	1/1982	Snow et al.
4,392,551	A	7/1983	Buryakov et al.
4,502,567	A	3/1985	Karcher
4,572,331	A	2/1986	Powell et al.
5,285,871	A	2/1994	Sievenpiper
5,297,426	A *	3/1994	Kane et al. 73/202
5,605,179	A	2/1997	Strong, Jr. et al.
D393,691	S *	4/1998	Evans D23/200
5,810,115	A	9/1998	Mismas
5,835,372	A	11/1998	Roys et al.
6,085,783	A	7/2000	Hollingshead
6,986,407	B2	1/2006	Conley et al.
7,096,889	B1	8/2006	Roys
7,182,102	B2 *	2/2007	Karcher 137/884
D599,889	S *	9/2009	Oshima et al. D23/233

* cited by examiner

Primary Examiner — Cathron C. Brooks

Assistant Examiner — Maurice Stevens

(74) *Attorney, Agent, or Firm* — Holland & Hart LLP

(57) **CLAIM**

I claim the ornamental design for the fluid divider block, as shown and described.

DESCRIPTION

FIG. 1 is a perspective view of a fluid divider block according to the present design.

FIG. 2 is a front view of the fluid divider block.

FIG. 3 is a back view of the fluid divider block.

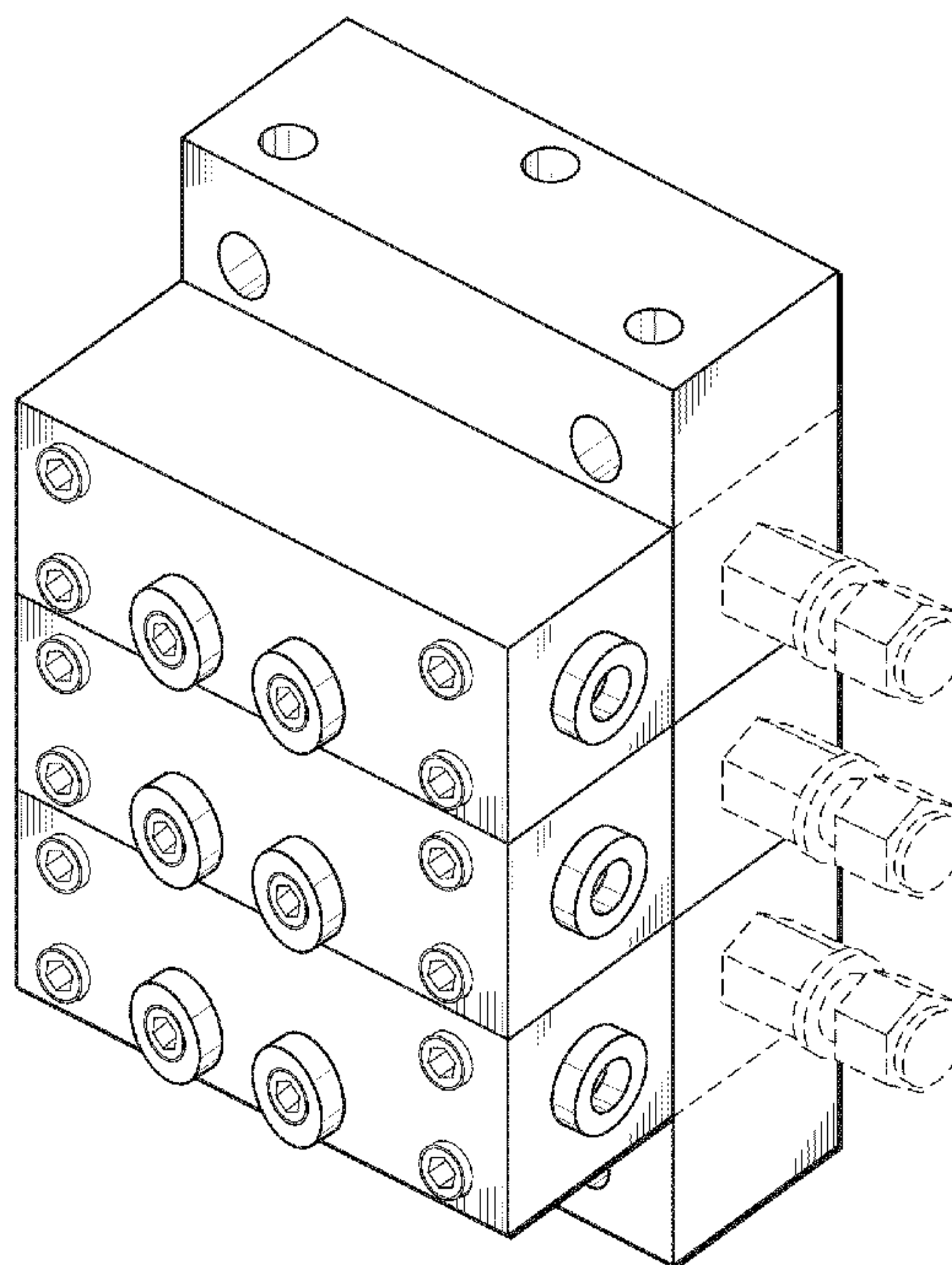
FIG. 4 is a left side view of the fluid divider block.

FIG. 5 is a right side view of the fluid divider block.

FIG. 6 is a top view of the fluid divider block; and,

FIG. 7 is a bottom view of the fluid divider block.

1 Claim, 4 Drawing Sheets



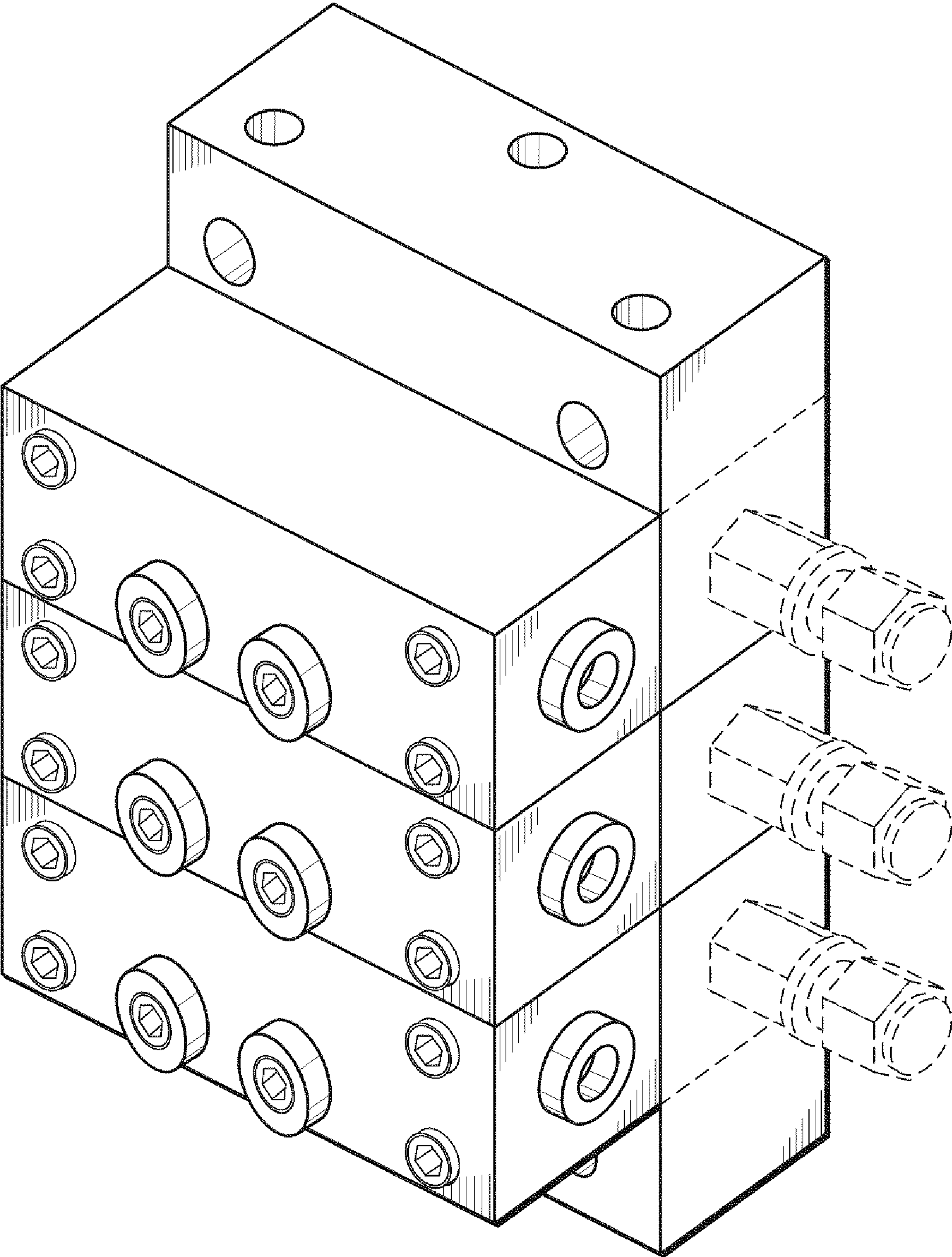


FIG. 1

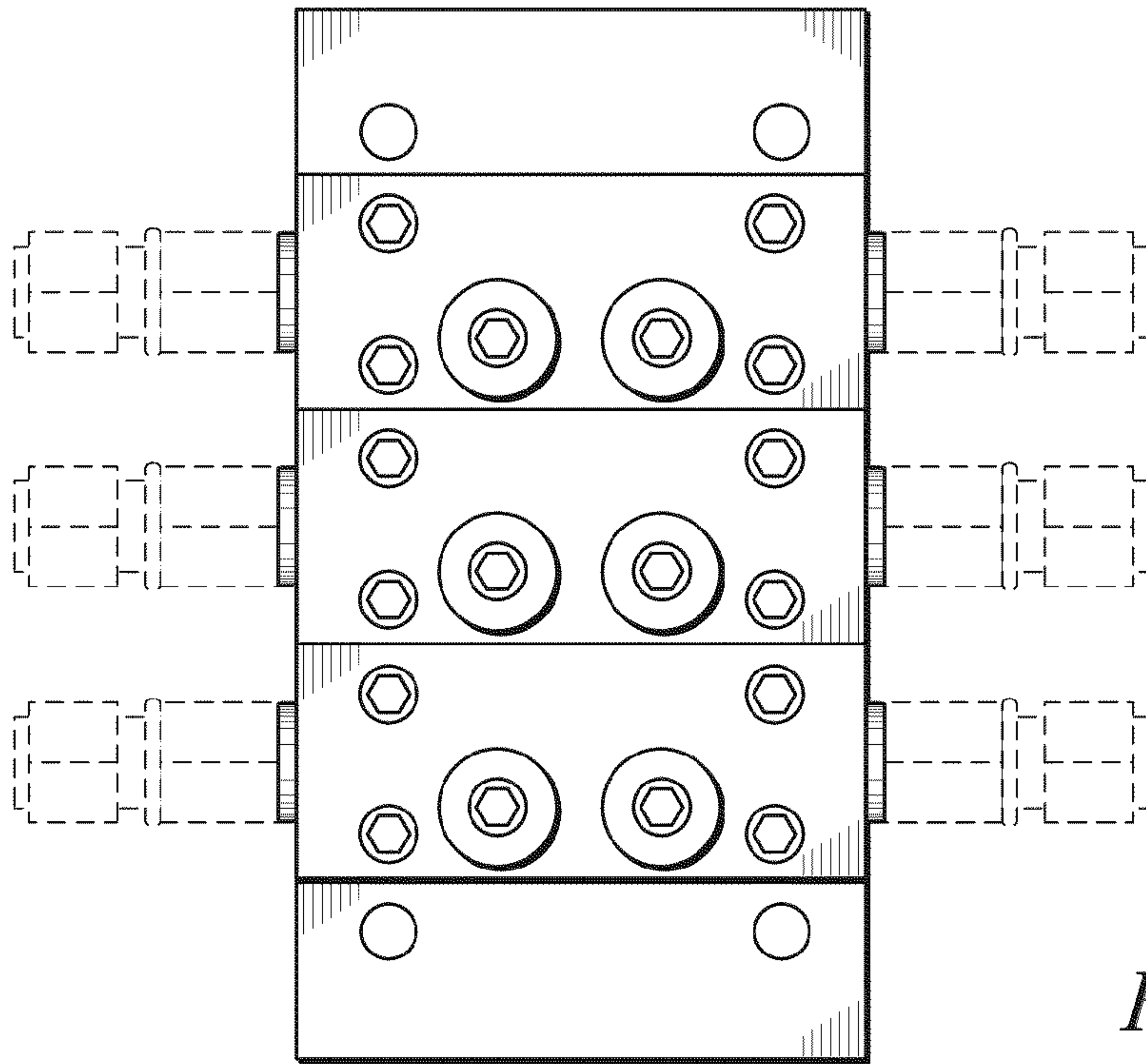


FIG. 2

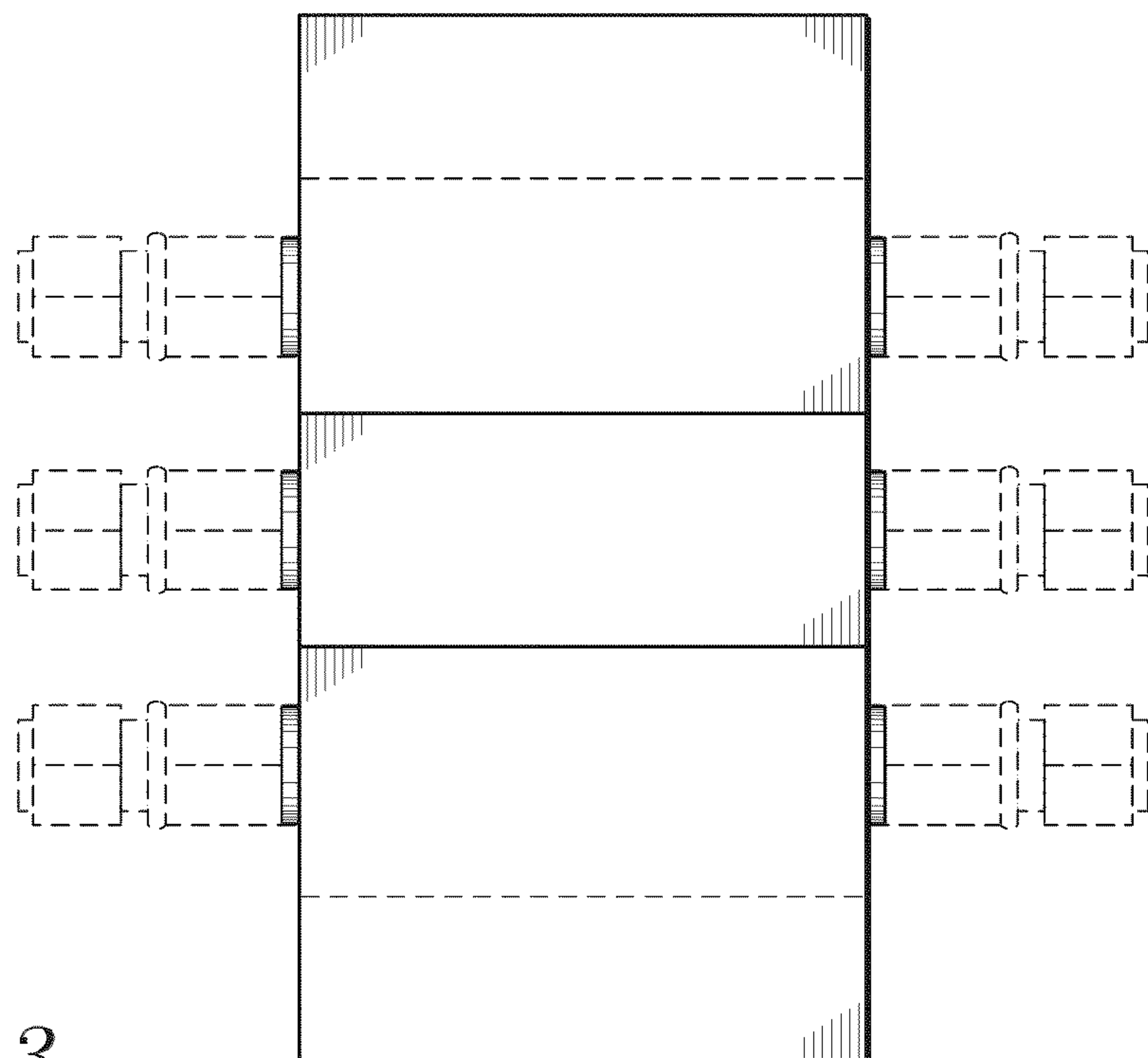


FIG. 3

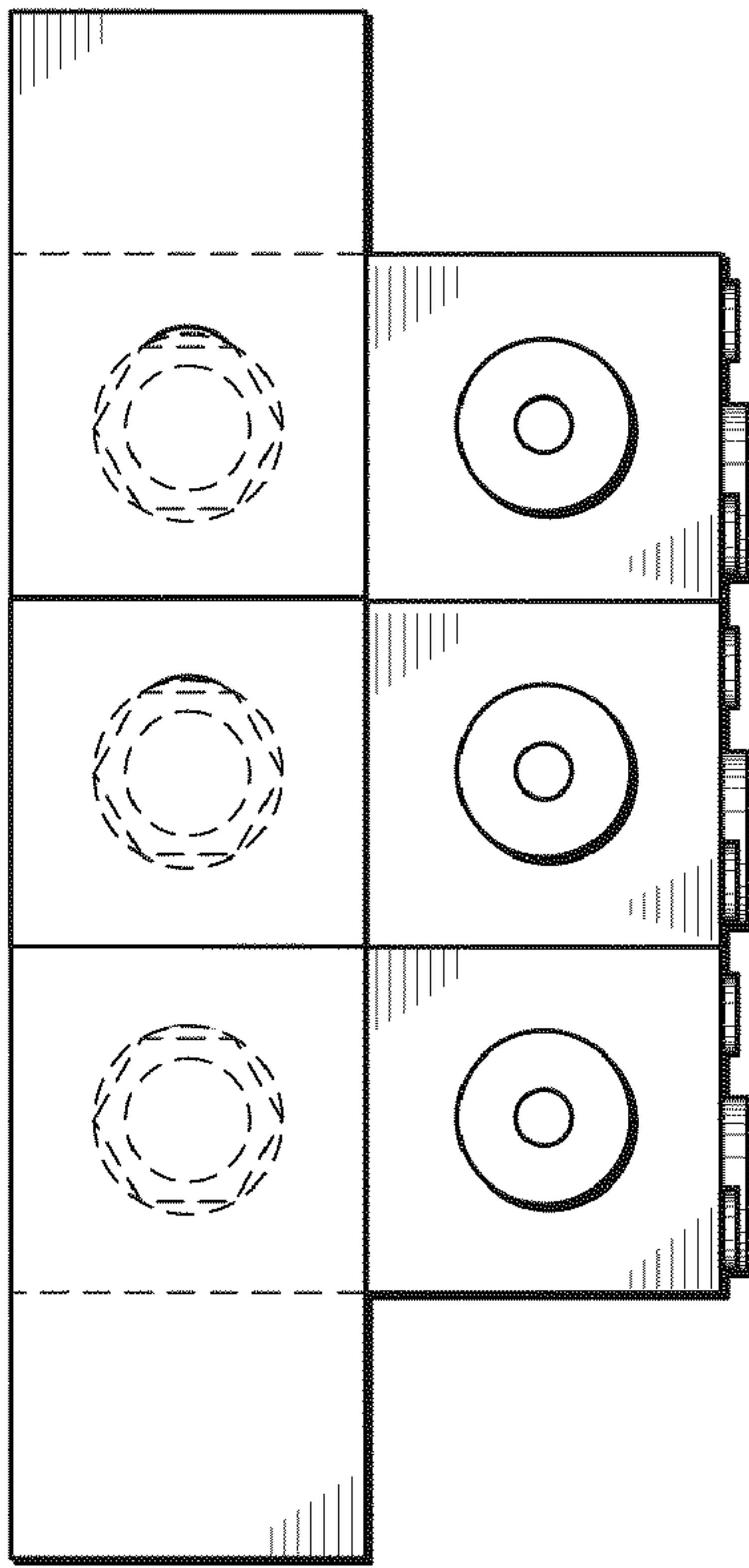


FIG. 4

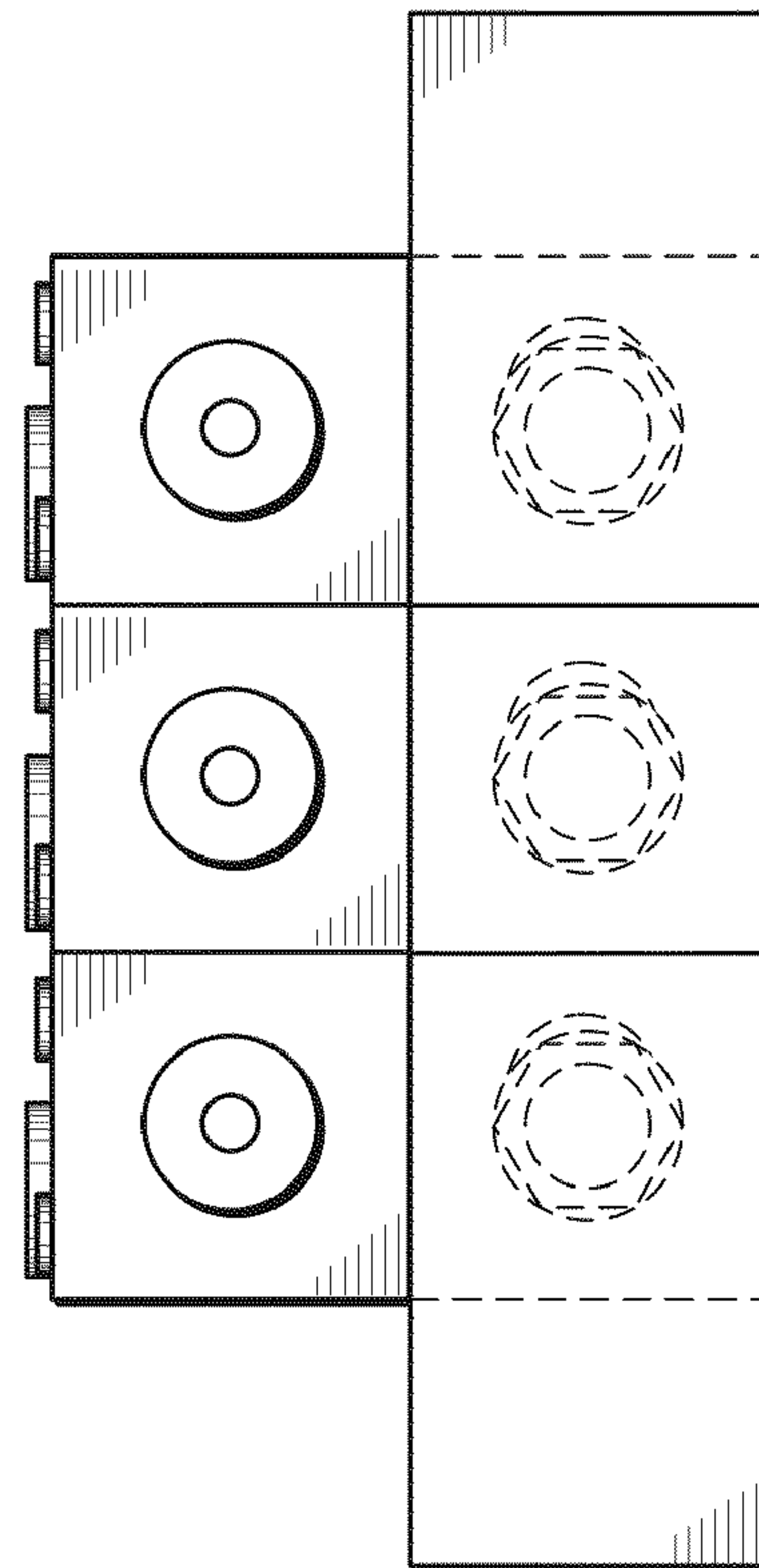


FIG. 5

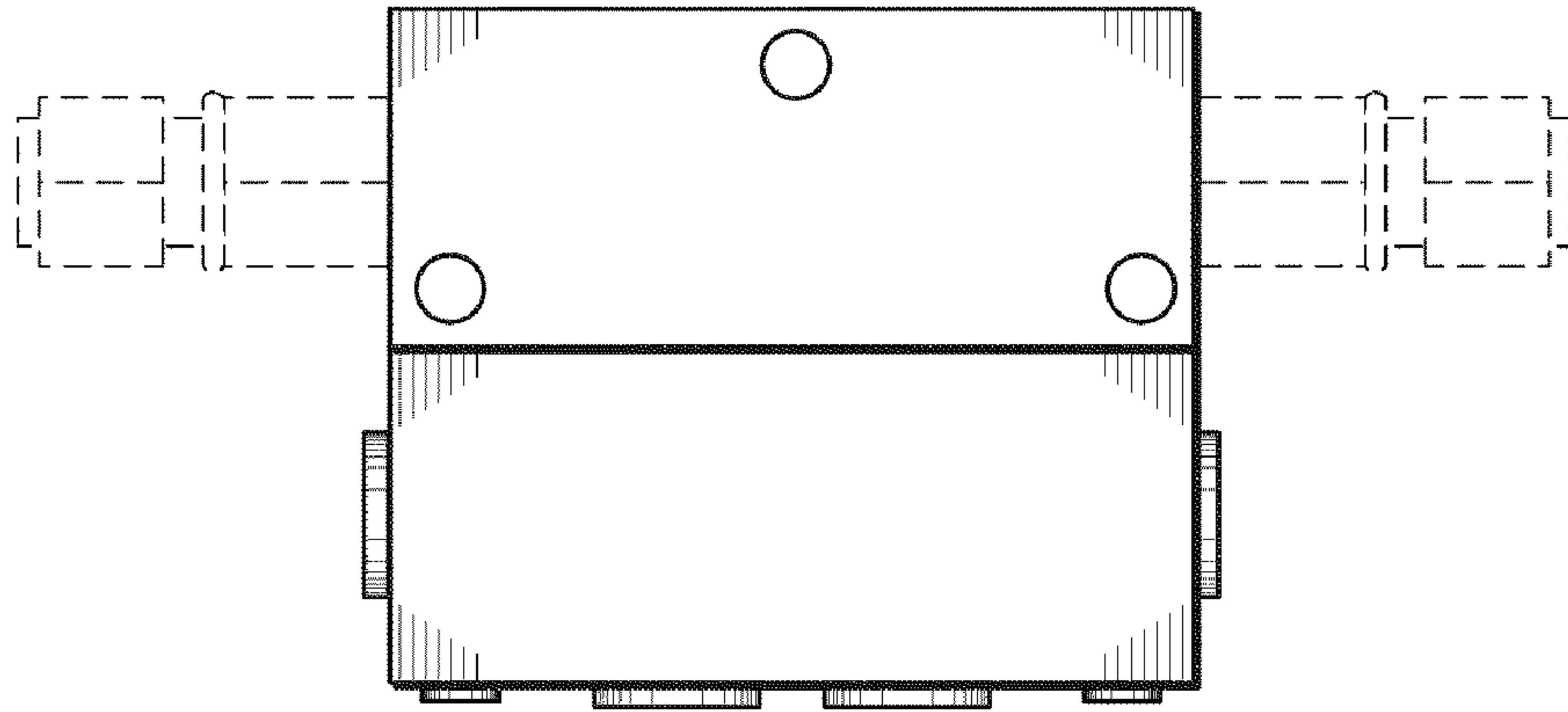


FIG. 6

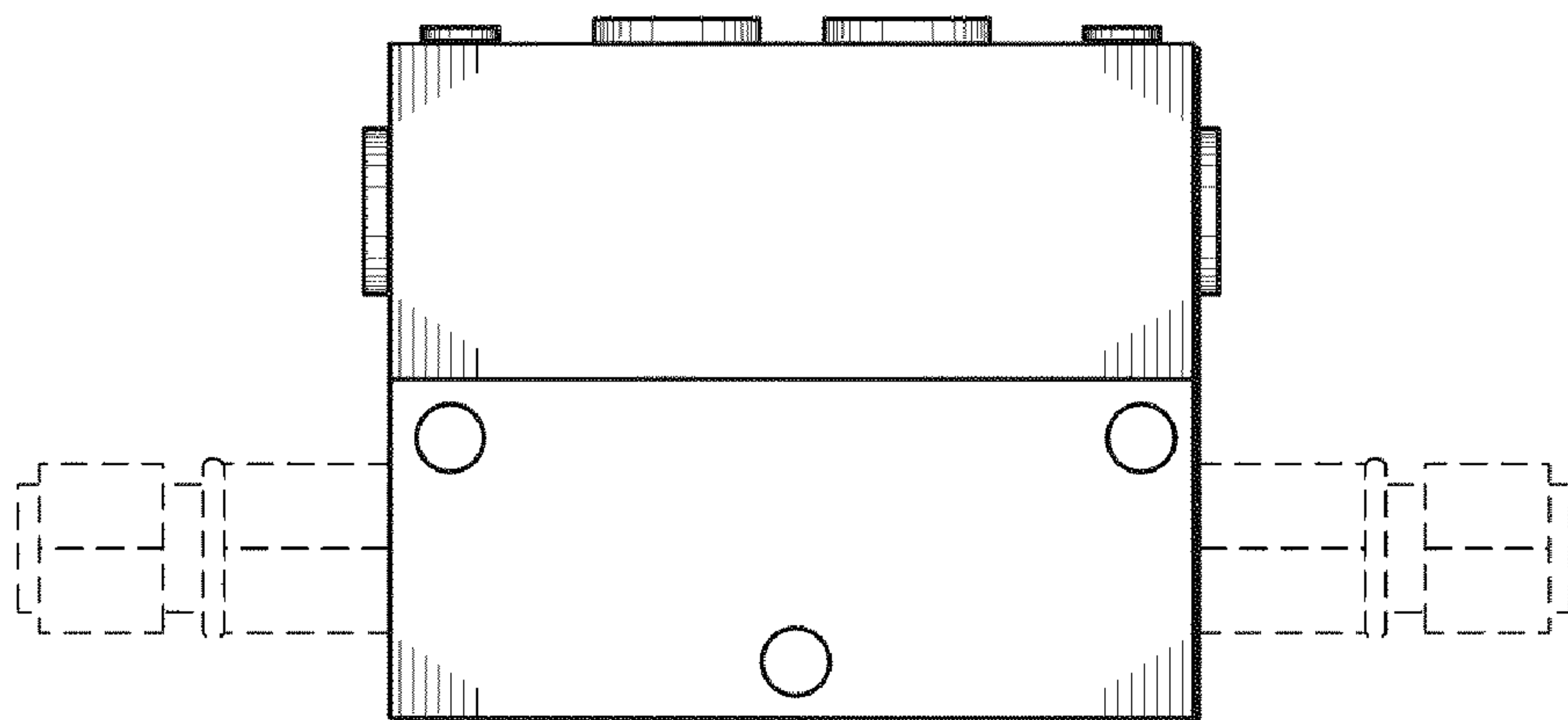


FIG. 7