



US00D656223S

(12) **United States Design Patent**
Cronje et al.

(10) **Patent No.:** **US D656,223 S**
(45) **Date of Patent:** **** Mar. 20, 2012**

(54) **PLUMBING HUB**

(76) Inventors: **Louis Cronje**, Pretoria (ZA); **Pieter Albertus Reinecke**, Pretoria (ZA); **Johannes Cronje**, Pretoria (ZA)

(**) Term: **14 Years**

(21) Appl. No.: **29/322,291**

(22) Filed: **Jul. 31, 2008**

(30) **Foreign Application Priority Data**

Feb. 1, 2008 (ZA) F200800187

(51) **LOC (9) Cl.** **23-01**

(52) **U.S. Cl.** **D23/233**

(58) **Field of Classification Search** D23/233-237, D23/244-249, 213, 259-269; 137/357, 360, 137/356; 138/89, 96 R, 96 T; 52/232, 1, 52/220.8, 18; 285/187, 404, 417, 369, 189, 285/193, 141.1, 136.1, 139.3, 42, 158, 212, 285/355, 357, 907, 330; 4/293, 295, 629, 4/255.01, 255.05, 255.07, 255.08, 256.1; 210/163-166

See application file for complete search history.

(56) **References Cited**

U.S. PATENT DOCUMENTS

5,934,331 A * 8/1999 Earl 138/89
6,679,015 B1 * 1/2004 Cornwall 52/232

D515,177 S * 2/2006 Raterman et al. D23/233
7,204,267 B1 * 4/2007 Persico 137/360
7,618,067 B2 * 11/2009 Danboise 285/46

FOREIGN PATENT DOCUMENTS

WO WO 2007/038809 A 4/2007

* cited by examiner

Primary Examiner — Cathron C. Brooks

Assistant Examiner — Maurice Stevens

(74) *Attorney, Agent, or Firm* — Hahn Moodley LLP; Vani Moodley, Esq.

(57) **CLAIM**

We claim the ornamental design for a plumbing hub, as shown and described.

DESCRIPTION

FIG. 1 shows a top front perspective view of a plumbing hub. FIG. 2 shows a top, rear perspective view of the plumbing hub.

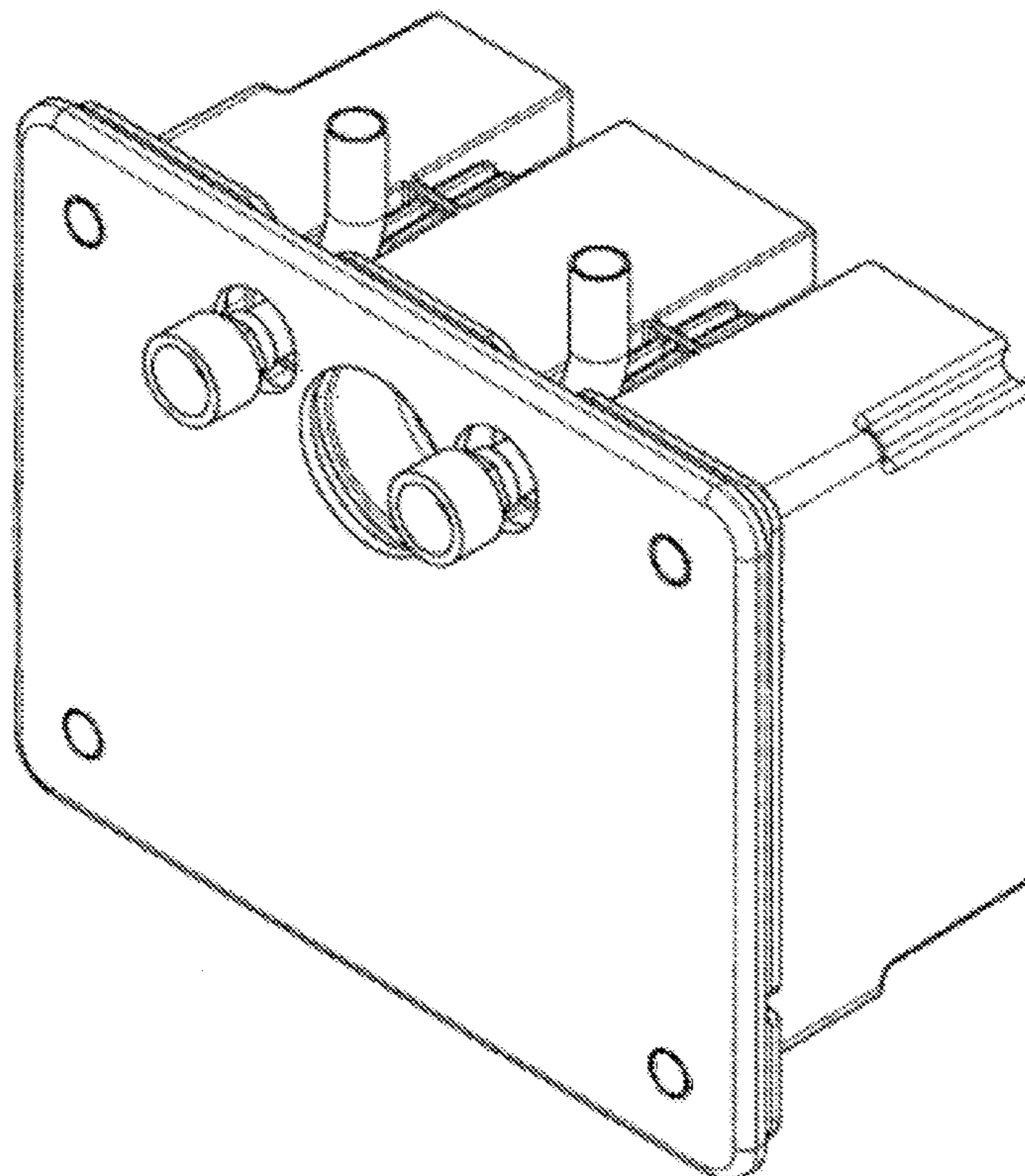
FIG. 3 shows a front elevation view of the plumbing hub.

FIG. 4 shows a side elevational view of the plumbing hub; and,

FIG. 5 shows a top elevation view of the plumbing hub.

The broken lines represent unclaimed portions unclaimed portions of the plumbing hub and form no part of the claimed design.

1 Claim, 5 Drawing Sheets



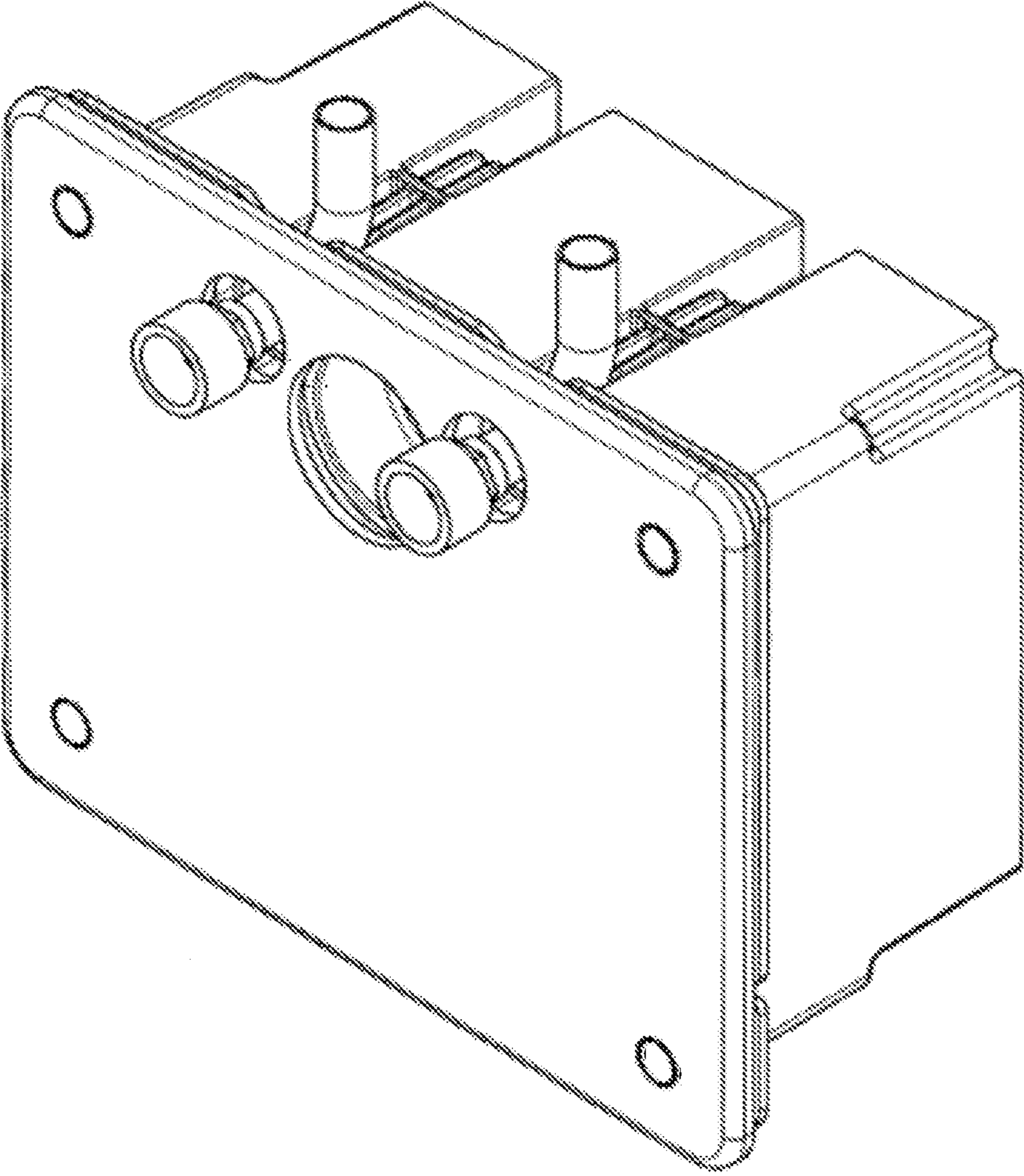


FIG. 1

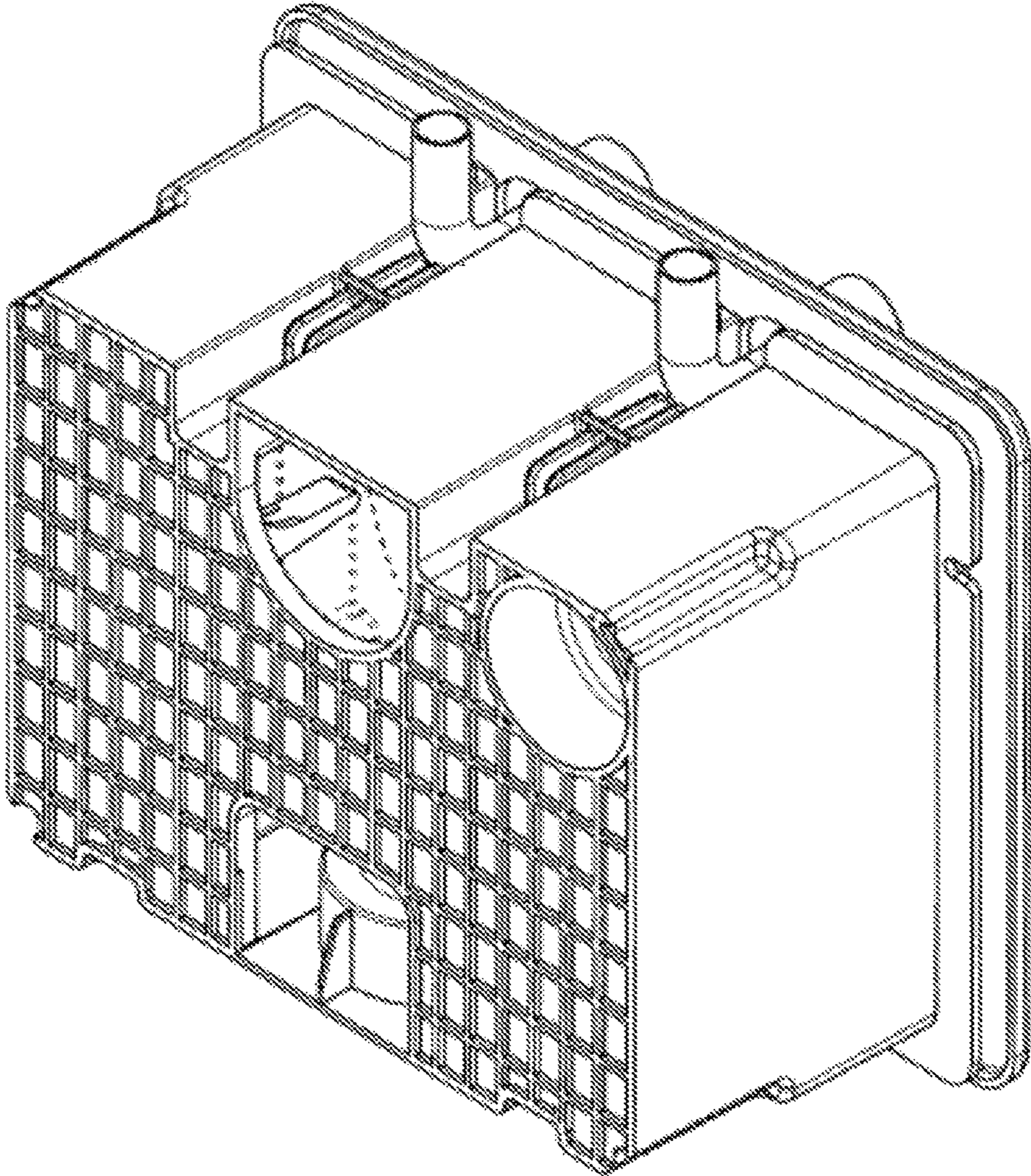


FIG. 2

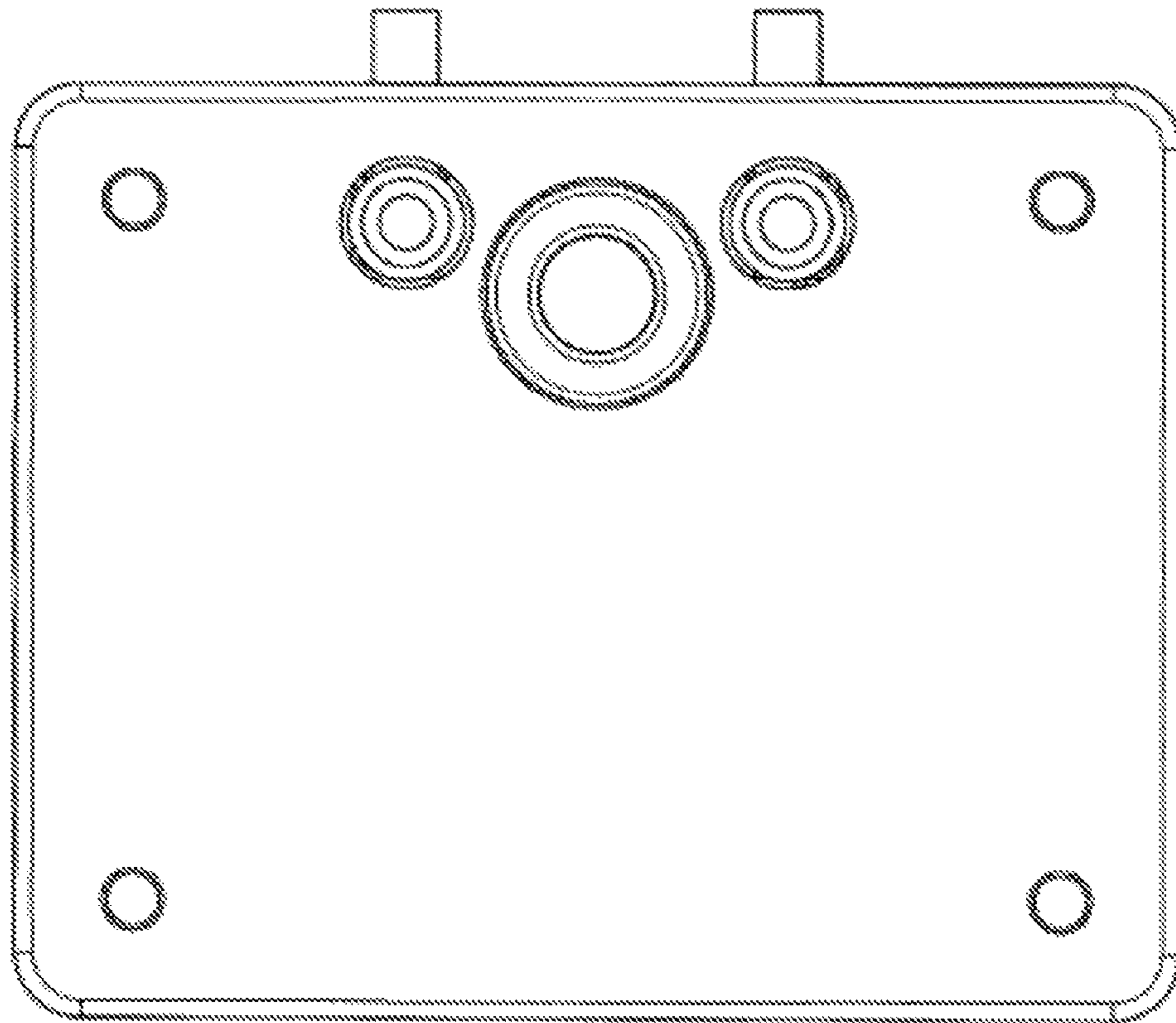


FIG. 3

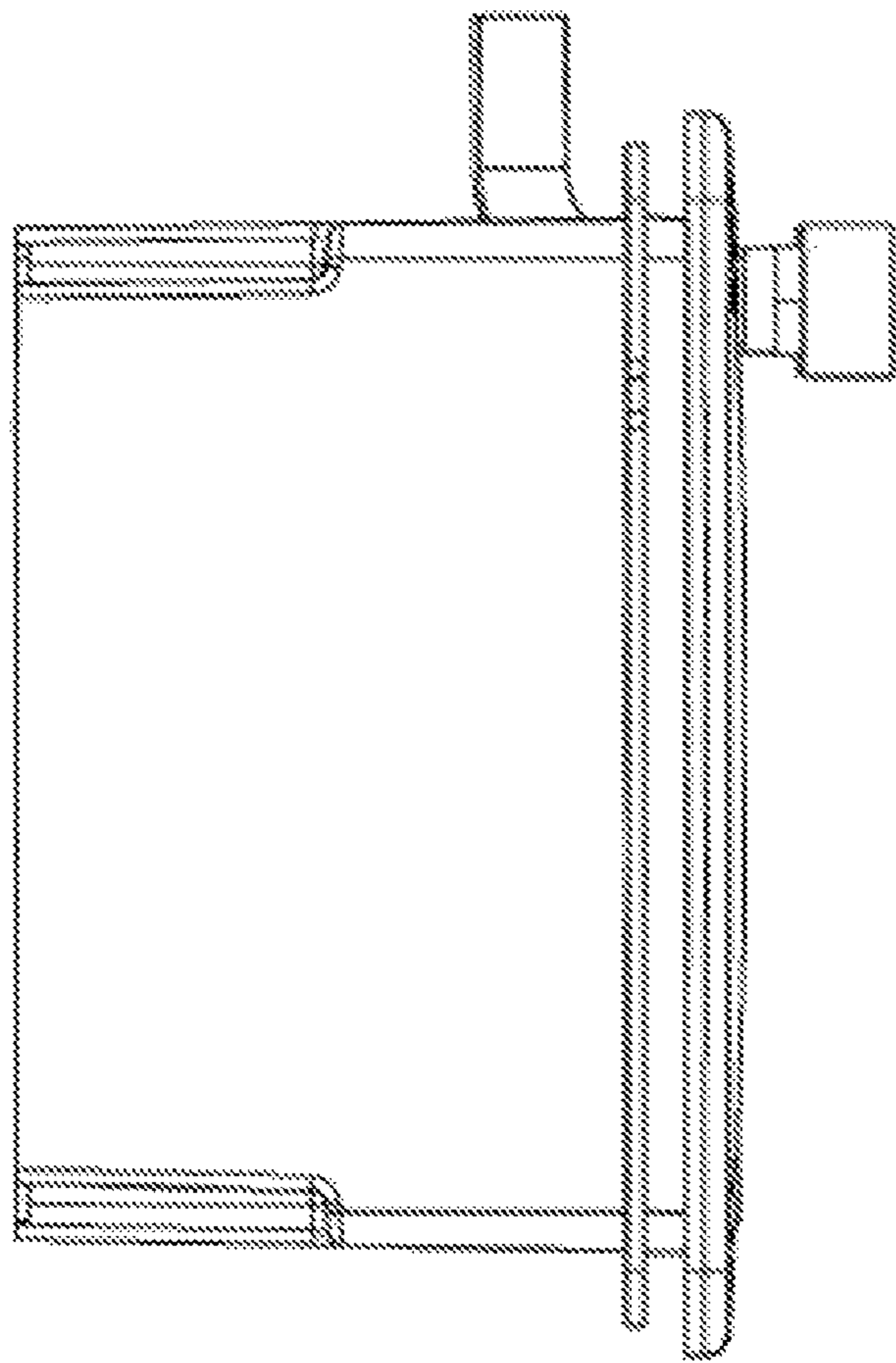


FIG. 4

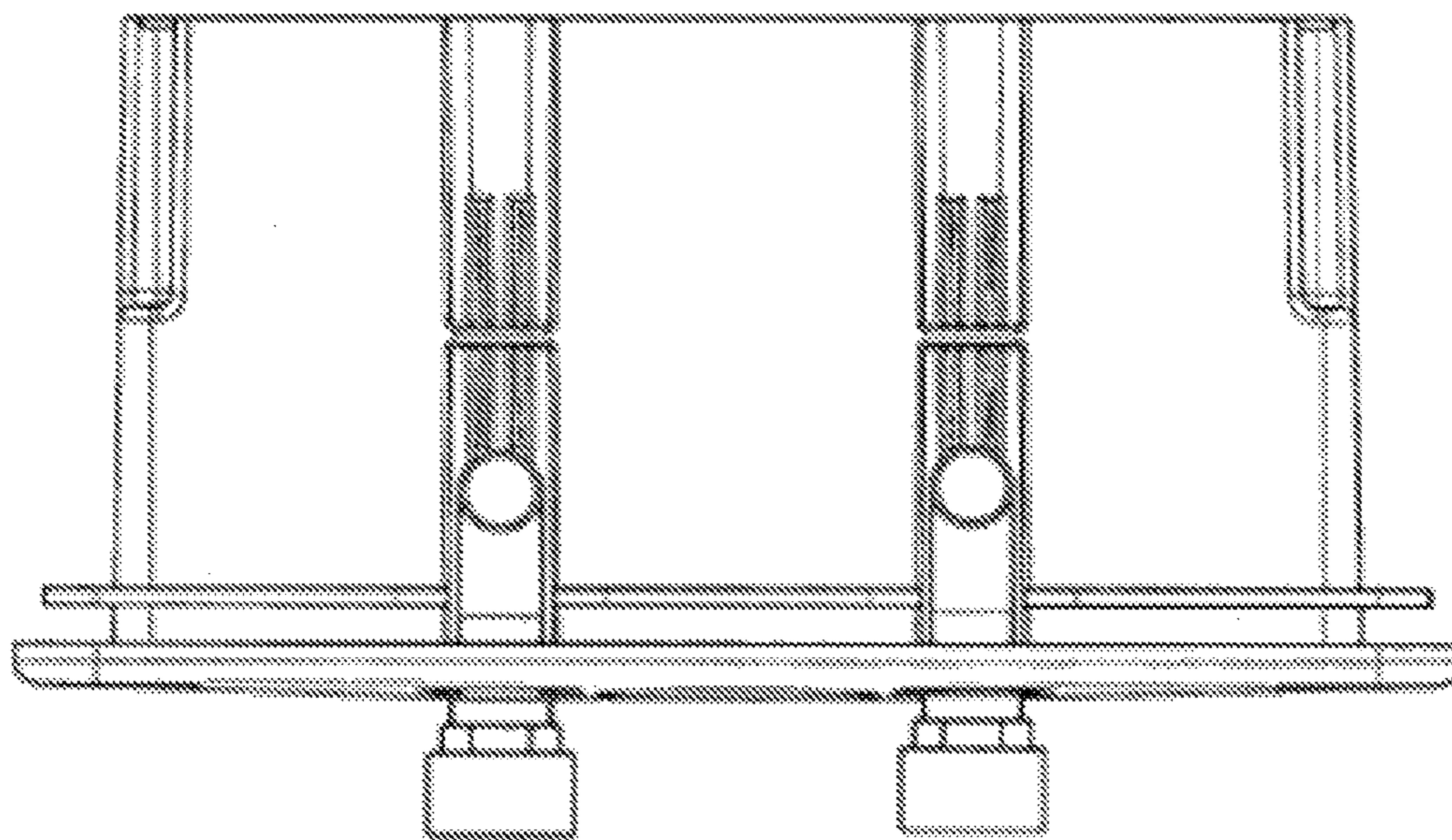


FIG. 5