



US00D656221S

(12) **United States Design Patent**
Gevers et al.

(10) **Patent No.:** **US D656,221 S**
(45) **Date of Patent:** **** Mar. 20, 2012**

(54) **FUEL NOZZLE**

(75) Inventors: **Matthew H. Gevers**, Fort Wayne, IN (US); **Jeanice Ann Croy**, Fort Wayne, IN (US); **Julie Ann Southwood**, Leo, IN (US)

(73) Assignee: **Tuthill Corporation**, Fort Wayne, IN (US)

(**) Term: **14 Years**

(21) Appl. No.: **29/394,485**

(22) Filed: **Jun. 17, 2011**

(51) **LOC (9) Cl.** **23-01**

(52) **U.S. Cl.** **D23/226**

(58) **Field of Classification Search** D23/213, D23/223, 226; 222/566; 141/377-379, 392
See application file for complete search history.

(56) **References Cited**

U.S. PATENT DOCUMENTS

2,545,820	A *	3/1951	Lehr	141/346
2,837,240	A *	6/1958	Boone	222/43
D219,214	S *	11/1970	Eklund	D23/226
D223,915	S *	6/1972	Brown et al.	D23/226
3,759,423	A *	9/1973	Hansel	222/153.01
D263,618	S *	3/1982	Taylor	D23/226
5,004,023	A *	4/1991	Monticup et al.	141/208
D317,969	S *	7/1991	Lambert	D23/226
D342,742	S *	12/1993	Daul et al.	D23/226

D350,386	S *	9/1994	Dotson et al.	D23/223
D355,704	S *	2/1995	Simpson et al.	D23/226
5,645,115	A *	7/1997	Kesterman et al.	141/206
7,134,580	B2 *	11/2006	Garrison et al.	222/566
7,234,614	B1 *	6/2007	Knight et al.	222/566

* cited by examiner

Primary Examiner — Robin V Webster

(74) *Attorney, Agent, or Firm* — Barnes & Thornburg LLP

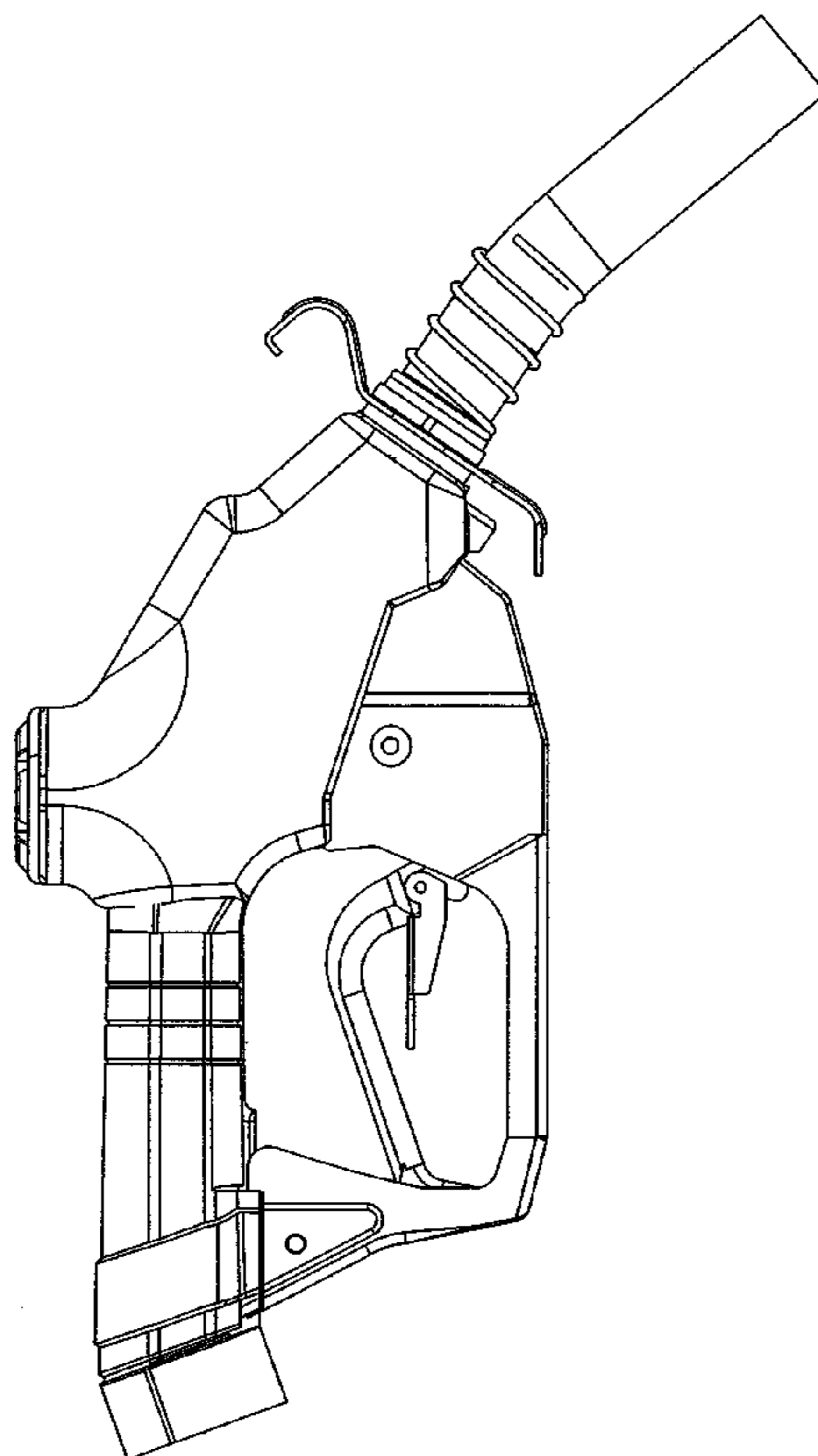
(57) **CLAIM**

The ornamental design for a fuel nozzle, as shown and described.

DESCRIPTION

FIG. 1 is a side perspective view of an embodiment of a fuel nozzle;
FIG. 2 is a right side view of the fuel nozzle of FIG. 1;
FIG. 3 is a left side view of the fuel nozzle of FIG. 1;
FIG. 4 is a top view of the fuel nozzle of FIG. 1;
FIG. 5 is an underside view of the fuel nozzle of FIG. 1;
FIG. 6 is a top end view of the fuel nozzle of FIG. 1;
FIG. 7 is an underside-end view of the fuel nozzle of FIG. 1;
FIG. 8 is an underside-perspective view of the fuel nozzle of FIG. 1;
FIG. 9 is an underside-rear-perspective view of the fuel nozzle of FIG. 1; and,
FIG. 10 is a top-end-perspective view of the fuel nozzle of FIG. 1.

1 Claim, 10 Drawing Sheets



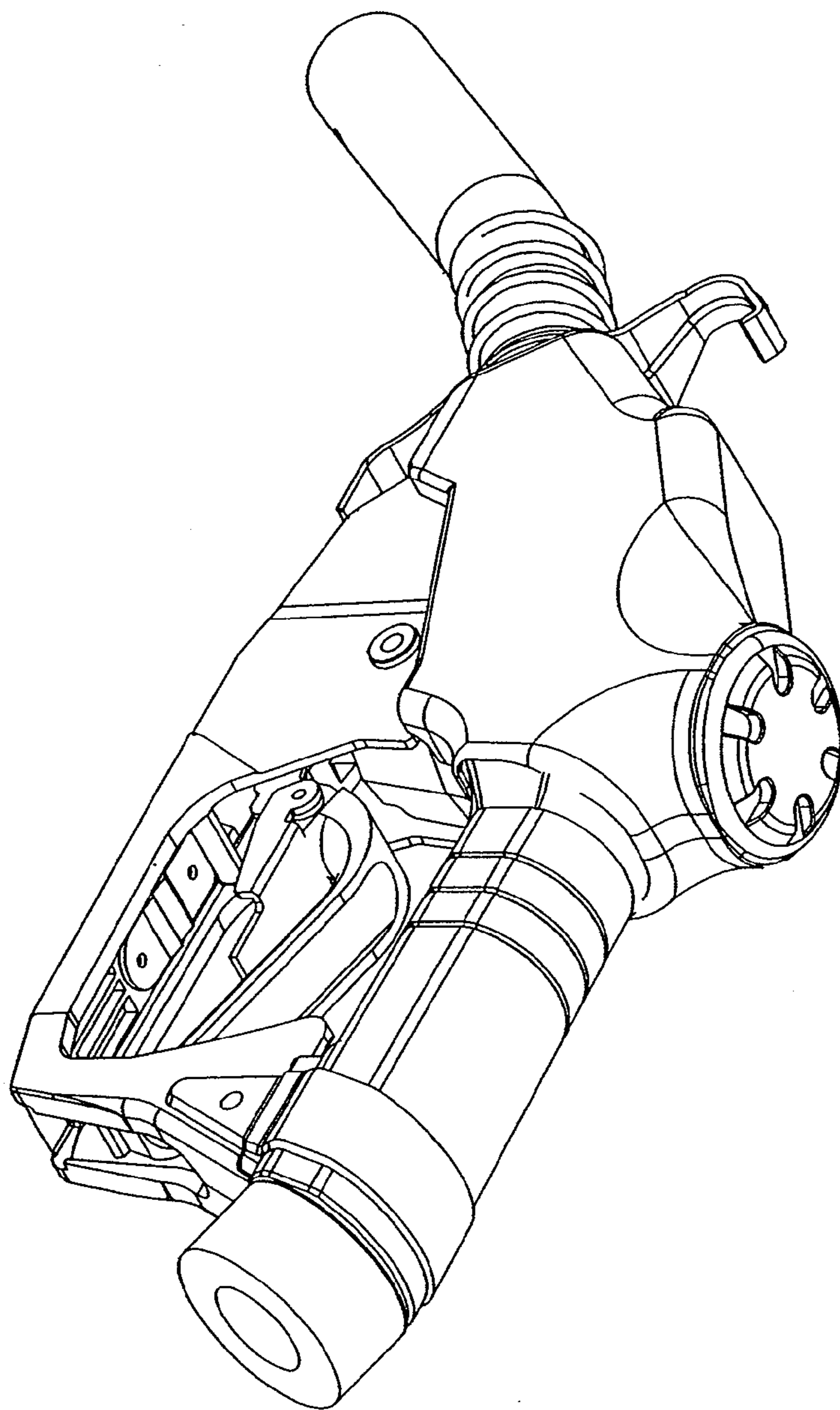


FIG. 1

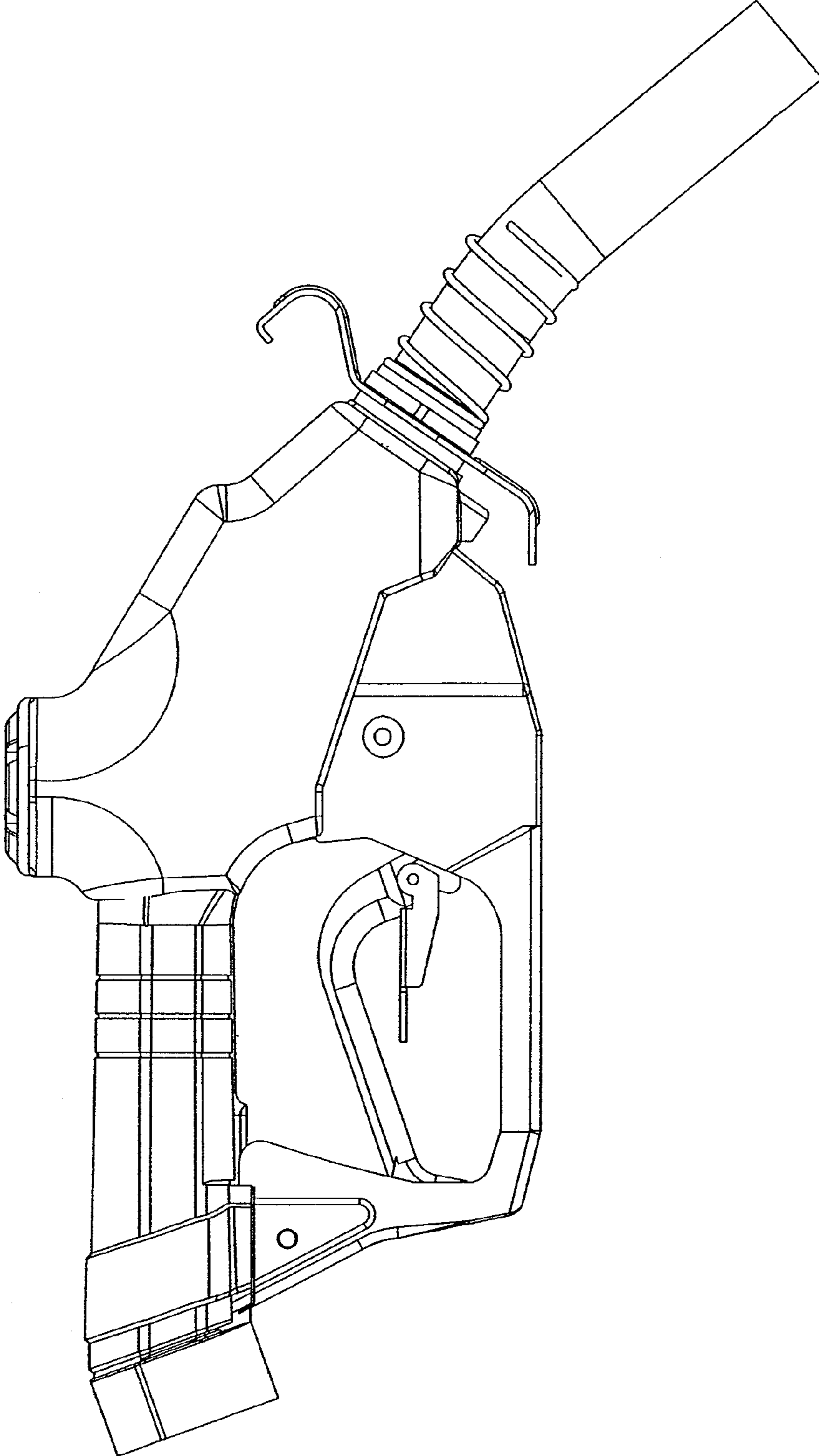


FIG. 2

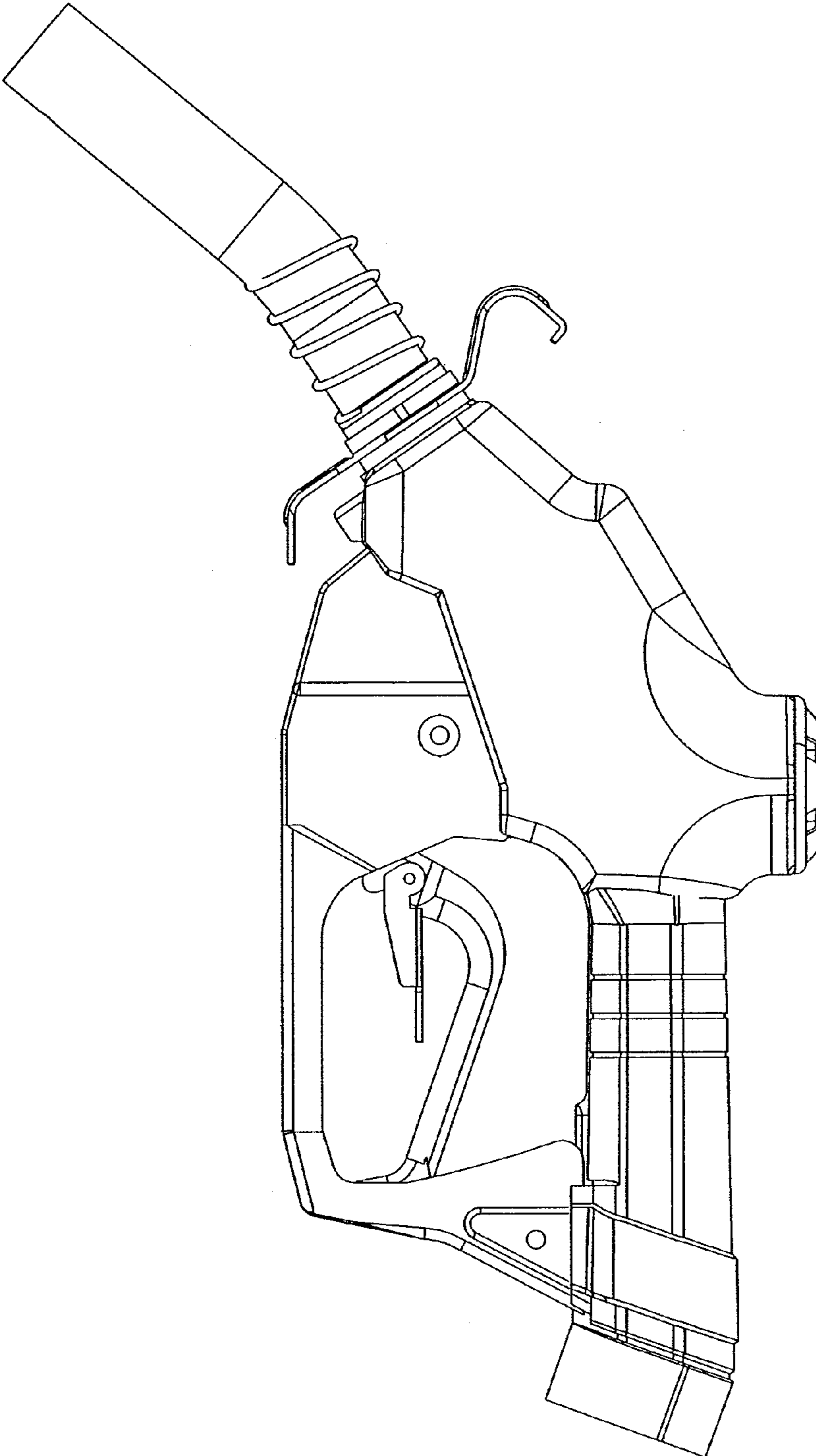


FIG. 3

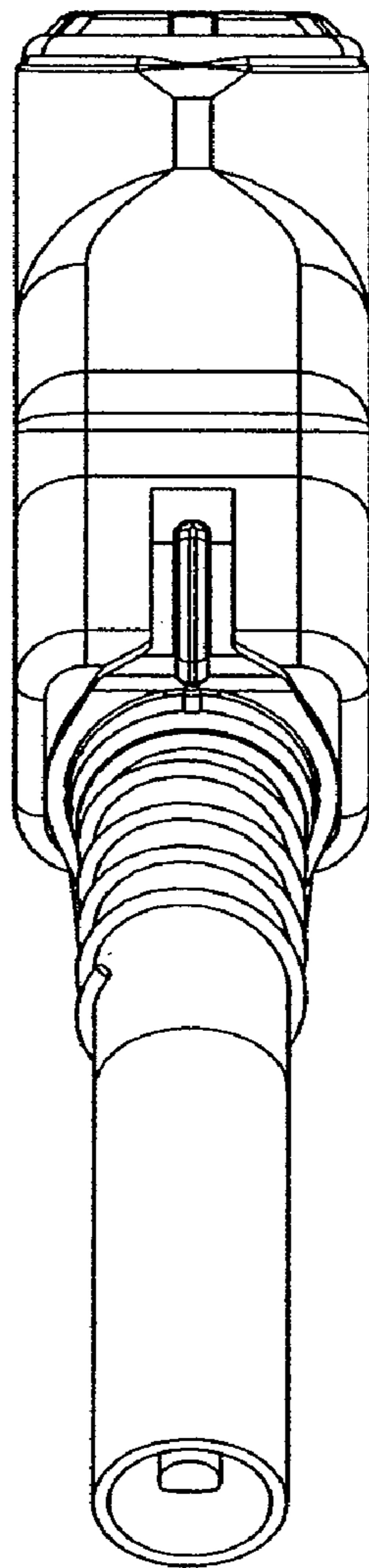


FIG. 4

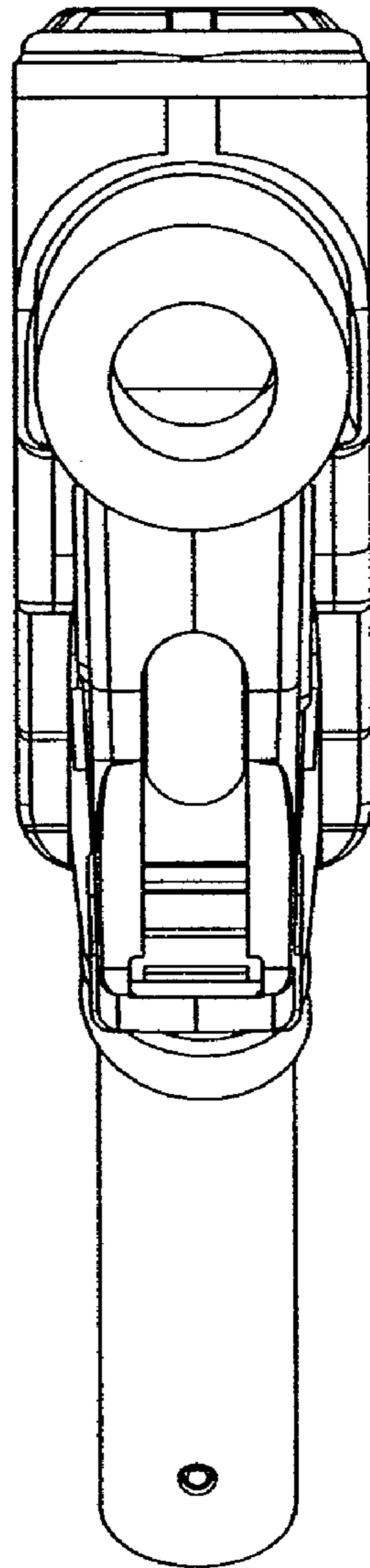


FIG. 5

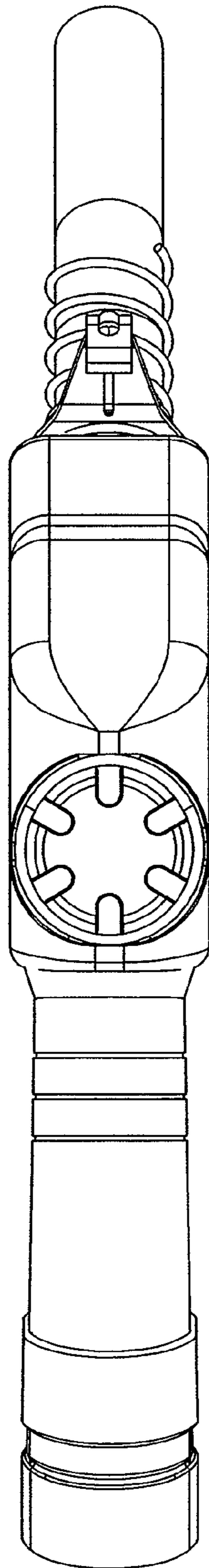


FIG. 6

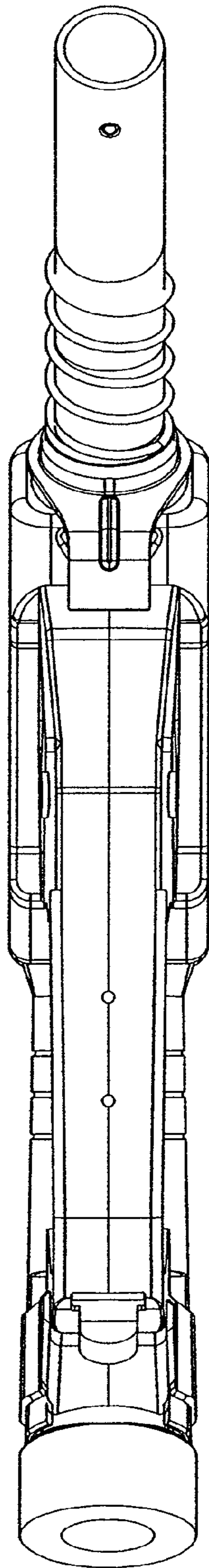


FIG. 7

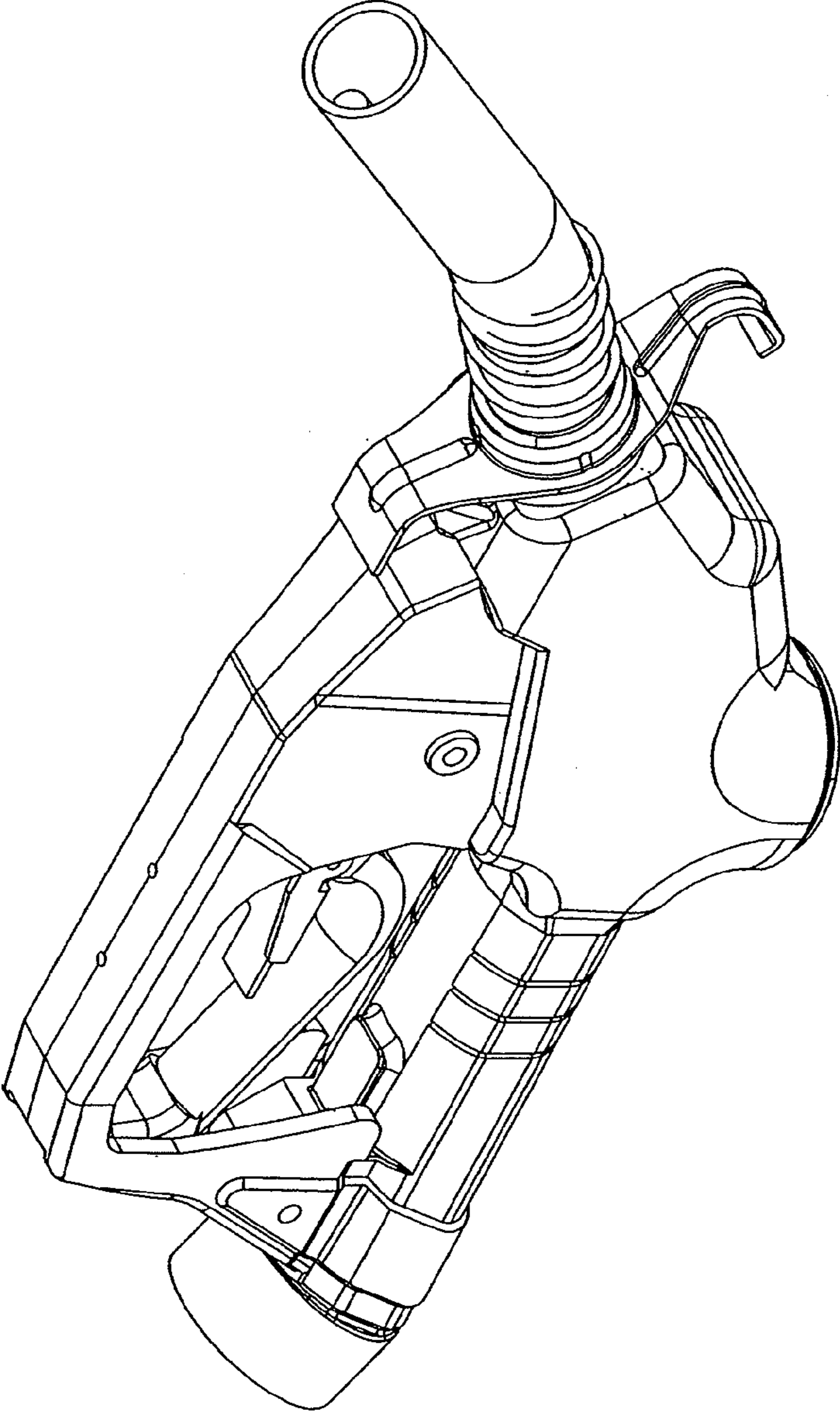


FIG. 8

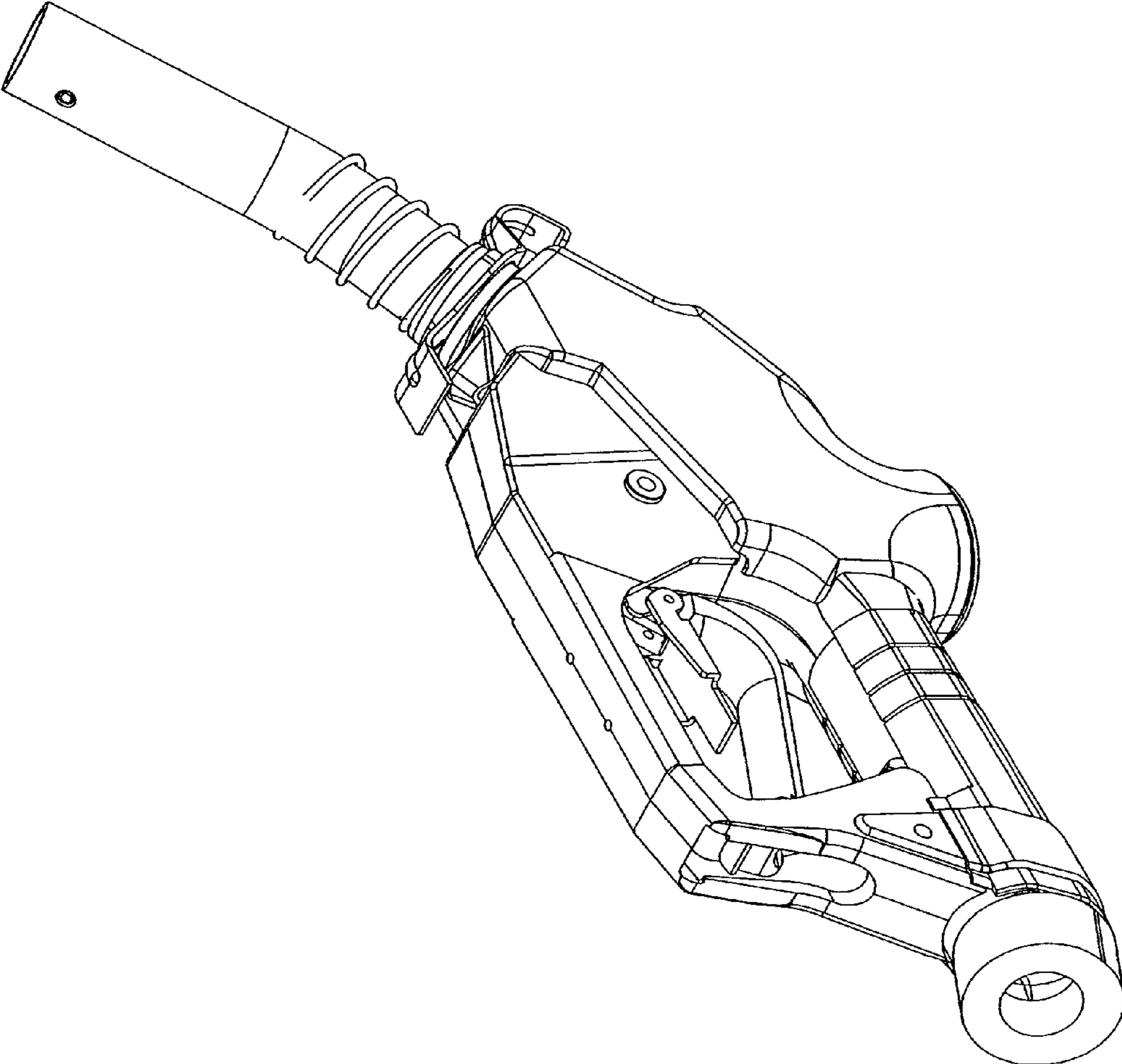


FIG. 9

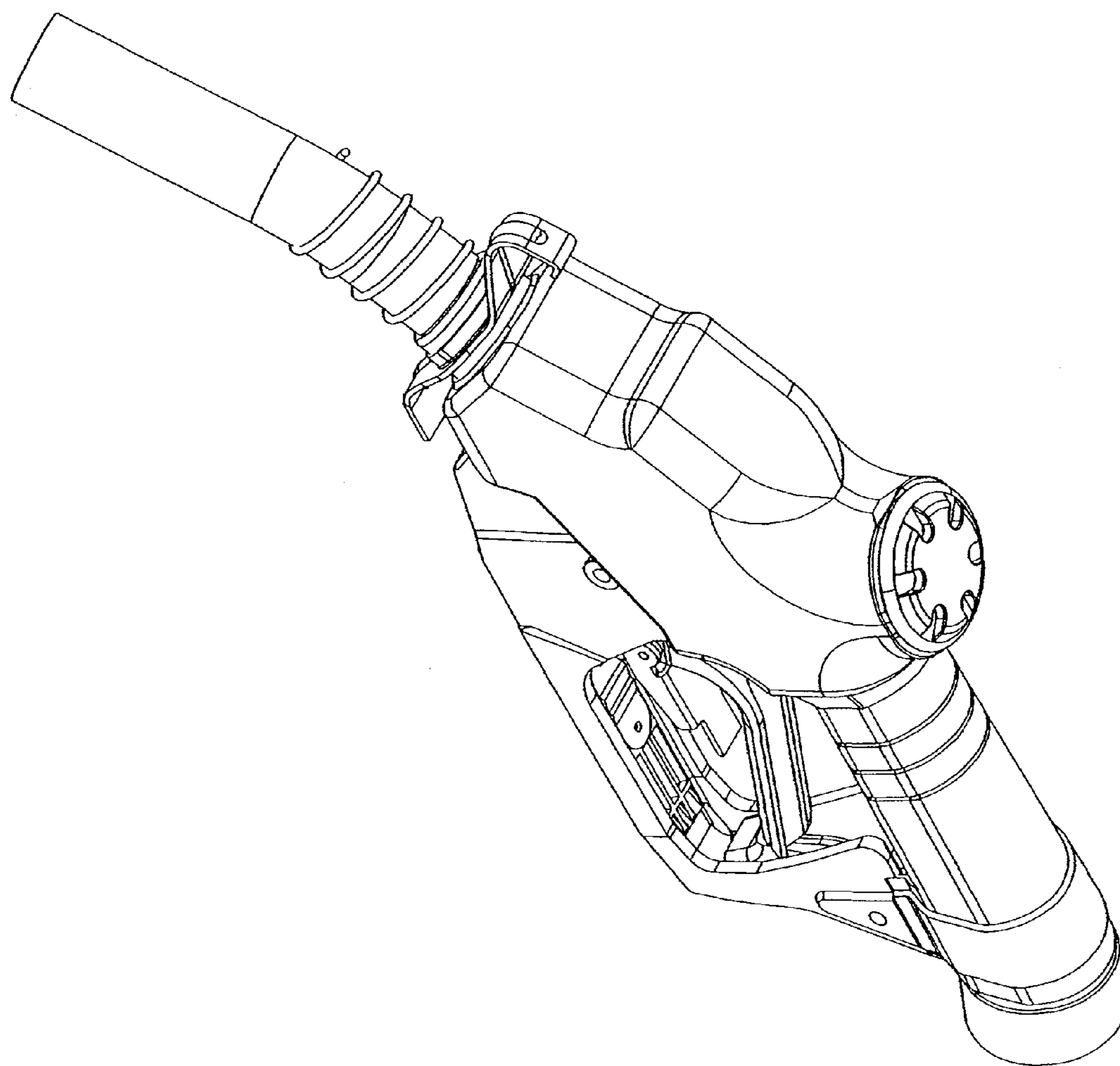


FIG. 10