



US00D656220S

(12) **United States Design Patent**
DeLorme et al.

(10) **Patent No.:** **US D656,220 S**
(45) **Date of Patent:** **** Mar. 20, 2012**

(54) **SPRAY GUN**

(75) Inventors: **John D. DeLorme**, Spencerport, NY
(US); **Ronald M. Odessa**, Batavia, NY
(US); **Thomas G. Wilkinson**, Alden, NY
(US)

(73) Assignee: **Chapin Manufacturing, Inc.**, Batavia,
NY (US)

(**) Term: **14 Years**

(21) Appl. No.: **29/374,027**

(22) Filed: **Jun. 23, 2011**

(51) **LOC (9) Cl.** **23-01**

(52) **U.S. Cl.** **D23/226**

(58) **Field of Classification Search** D23/213,
D23/223, 226; 239/525, 526, 291

See application file for complete search history.

(56) **References Cited**

U.S. PATENT DOCUMENTS

1,837,861	A	12/1931	Green et al.	
2,214,035	A	9/1940	Tracy	
3,232,540	A	2/1966	Cassanmagnago	
3,589,610	A	6/1971	Wahlin et al.	
3,857,511	A	12/1974	Govindan	
4,541,568	A	9/1985	Lichfield	
D283,535	S *	4/1986	Truchet	D23/226
5,183,322	A	2/1993	Haruch	
5,249,746	A	10/1993	Kaneko et al.	
D376,839	S *	12/1996	Hung	D23/226
5,699,967	A	12/1997	Conatser et al.	
5,931,508	A	8/1999	Spriegel	
6,138,875	A	10/2000	Condon et al.	
D469,850	S *	2/2003	Nien	D23/226

D475,122	S *	5/2003	Kuo	D23/226
6,905,084	B2	6/2005	Hammarth et al.	
D507,036	S *	7/2005	Khaitov	D23/226
D518,873	S	4/2006	Carpanese	
7,090,150	B2	8/2006	Amaduzzi	
7,216,816	B2	5/2007	Hammarth et al.	
D547,422	S	7/2007	Carpanese	
D551,738	S	9/2007	Tanner	
7,311,271	B2	12/2007	Micheli	
D572,339	S *	7/2008	Georgel	D23/223
D574,927	S	8/2008	Larsen	
D592,277	S	5/2009	Yorns	
D600,778	S	9/2009	Meyer	
7,641,133	B2	1/2010	Wilfert	
7,661,609	B2	2/2010	Dexter et al.	
D615,157	S *	5/2010	Chen	D23/226
D627,035	S *	11/2010	Evar	D23/226
D636,848	S	4/2011	Fontaine	
D642,239	S *	7/2011	Liao	D23/213

* cited by examiner

Primary Examiner — Robin V Webster

(74) *Attorney, Agent, or Firm* — Kenneth J. Lukacher;
Martin Lukacher

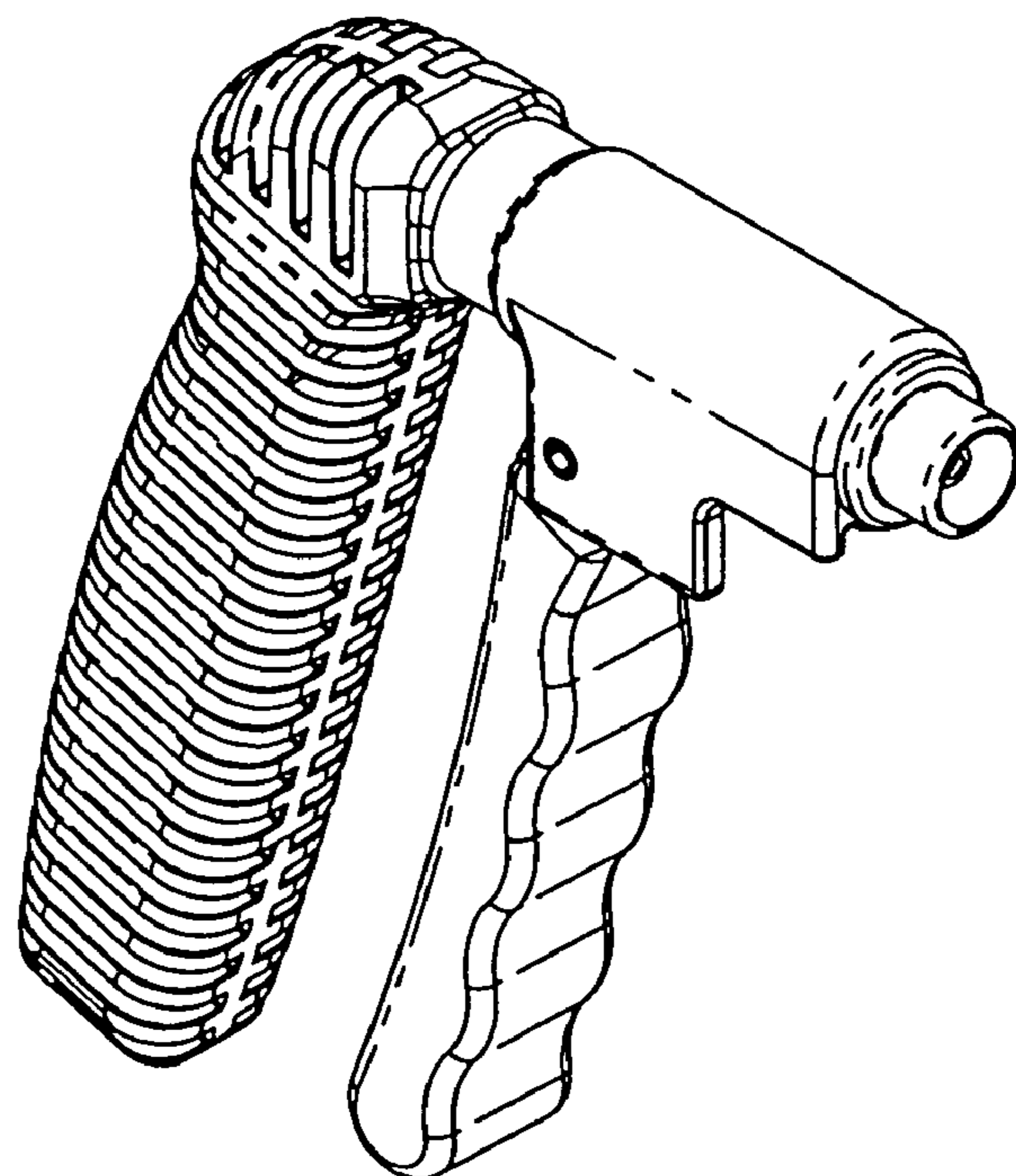
(57) **CLAIM**

The ornamental design for a spray gun, as shown and described.

DESCRIPTION

FIG. 1 is a right side view of a spray gun showing our new design, the left side view being a mirror image;
FIG. 2 is a top view thereof;
FIG. 3 is a perspective view thereof;
FIG. 4 is a bottom view thereof;
FIG. 5 is a front view thereof; and,
FIG. 6 is a back view thereof.

1 Claim, 2 Drawing Sheets



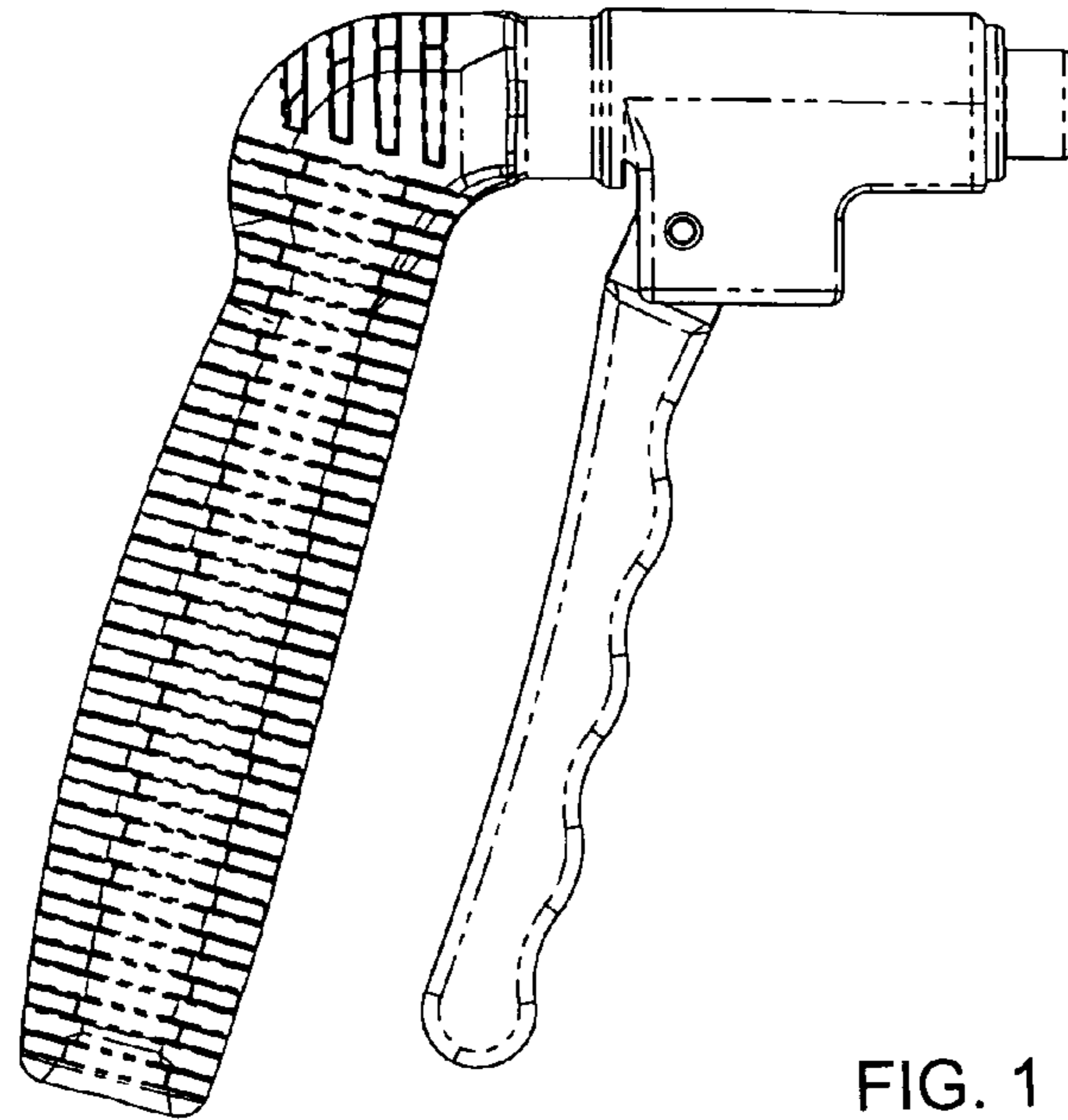


FIG. 1

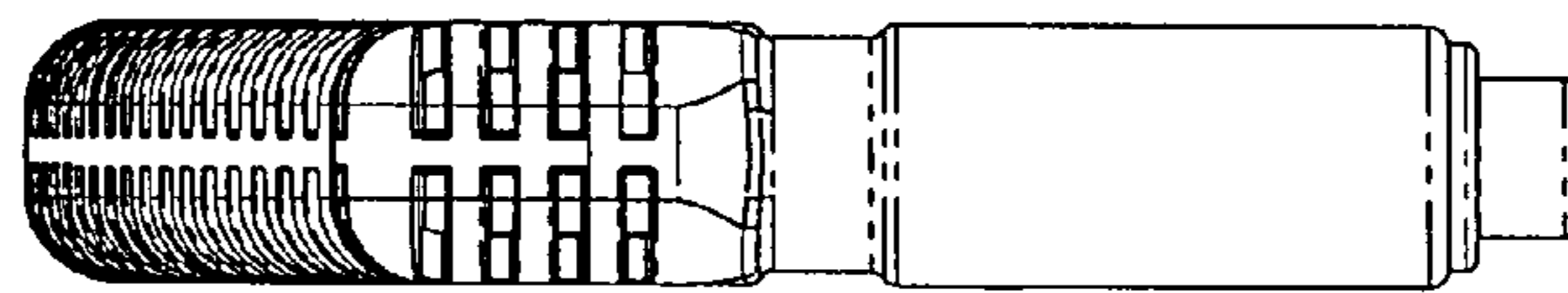


FIG. 2

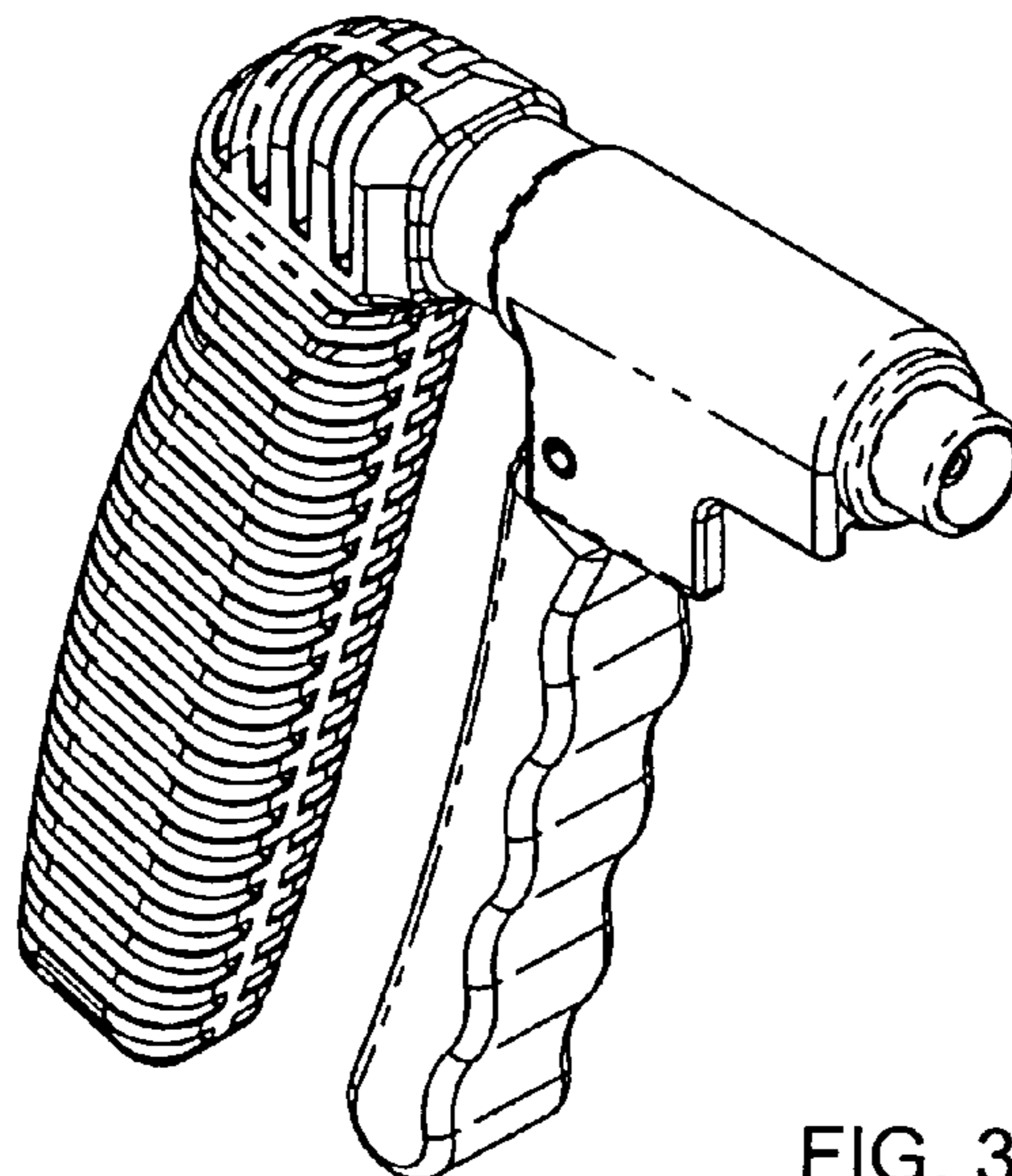


FIG. 3

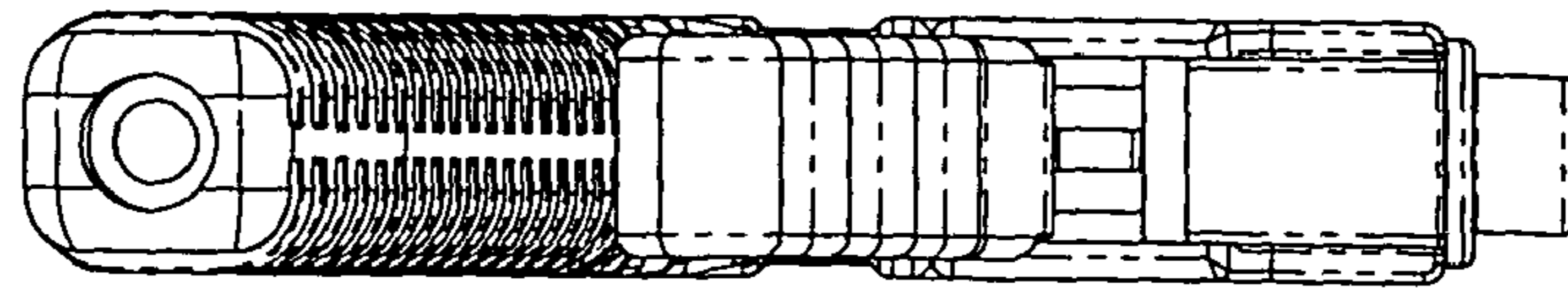


FIG. 4

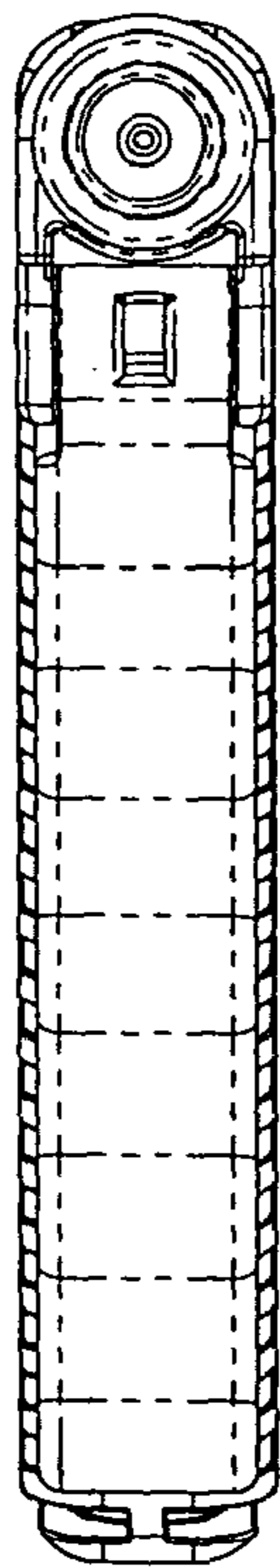


FIG. 5

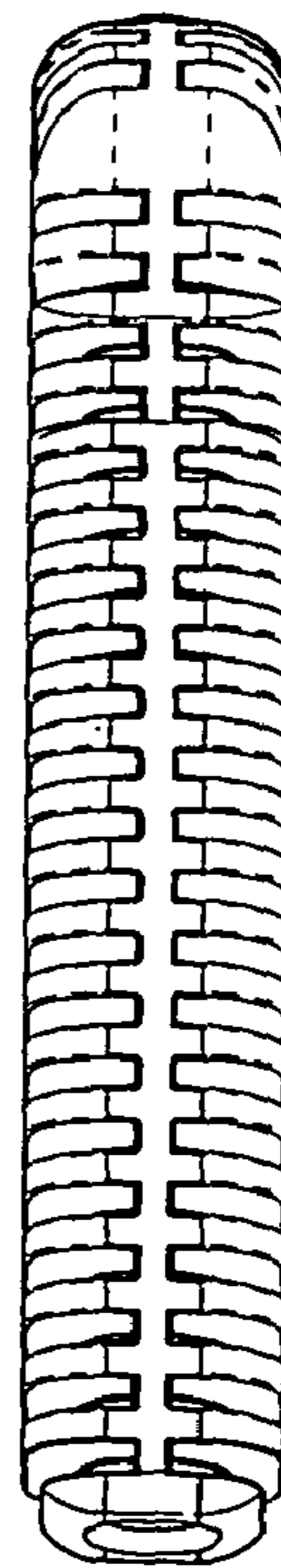


FIG. 6