



US00D656218S

(12) **United States Design Patent**  
**Flowers et al.**

(10) **Patent No.:** **US D656,218 S**  
(45) **Date of Patent:** **\*\* Mar. 20, 2012**

(54) **SHOWERHEAD**

(75) Inventors: **Paul Flowers**, Duesseldorf (DE); **Hans Lobermeier**, Menden (DE)

(73) Assignee: **Grohe AG**, Hemer (DE)

(\*\*) Term: **14 Years**

(21) Appl. No.: **29/387,054**

(22) Filed: **Mar. 8, 2011**

(30) **Foreign Application Priority Data**

Sep. 13, 2010 (EM) ..... 001754078-0001

(51) **LOC (9) Cl.** ..... **23-01**

(52) **U.S. Cl.** ..... **D23/213; D23/229**

(58) **Field of Classification Search** ..... D23/213,  
D23/229, 230; 239/452, 282-283

See application file for complete search history.

(56) **References Cited**

**U.S. PATENT DOCUMENTS**

D261,417 S \* 10/1981 Klose ..... D23/229

D567,906 S \* 4/2008 Huang ..... D23/229

D620,078 S \* 7/2010 Jian et al. .... D23/229

D620,079 S \* 7/2010 Jian et al. .... D23/229

D633,597 S \* 3/2011 Citterio ..... D23/213

\* cited by examiner

*Primary Examiner* — Robin V Webster

(74) *Attorney, Agent, or Firm* — Muncy, Geissler, Olds & Lowe, PLLC

(57) **CLAIM**

The ornamental design for a showerhead, as shown and described.

**DESCRIPTION**

FIG. 1 is a left side elevational view of a showerhead according to the present invention.

FIG. 2 is a right side elevational view of the showerhead of FIG. 1.

FIG. 3 is a top plan view of the showerhead of FIG. 1.

FIG. 4 is a bottom plan view of the showerhead of FIG. 1.

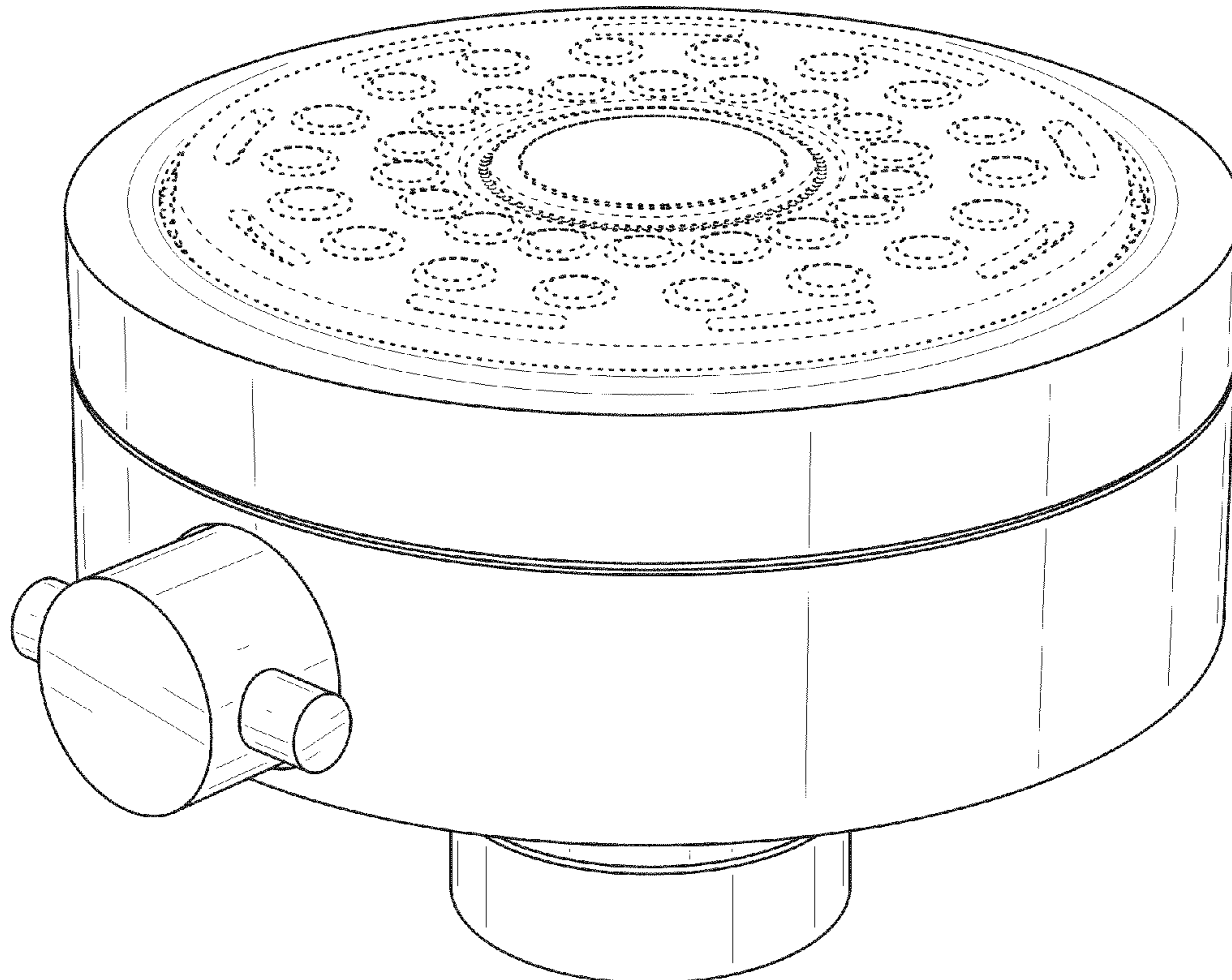
FIG. 5 is a front elevational view of the showerhead of FIG. 1.

FIG. 6 is a rear elevational view of the showerhead of FIG. 1; and,

FIG. 7 is a three quarter view of the showerhead of FIG. 1.

The dashed lines illustrate environment that does not form a part of the present invention, and no claim is made to the material illustrated with dashed lines.

**1 Claim, 7 Drawing Sheets**



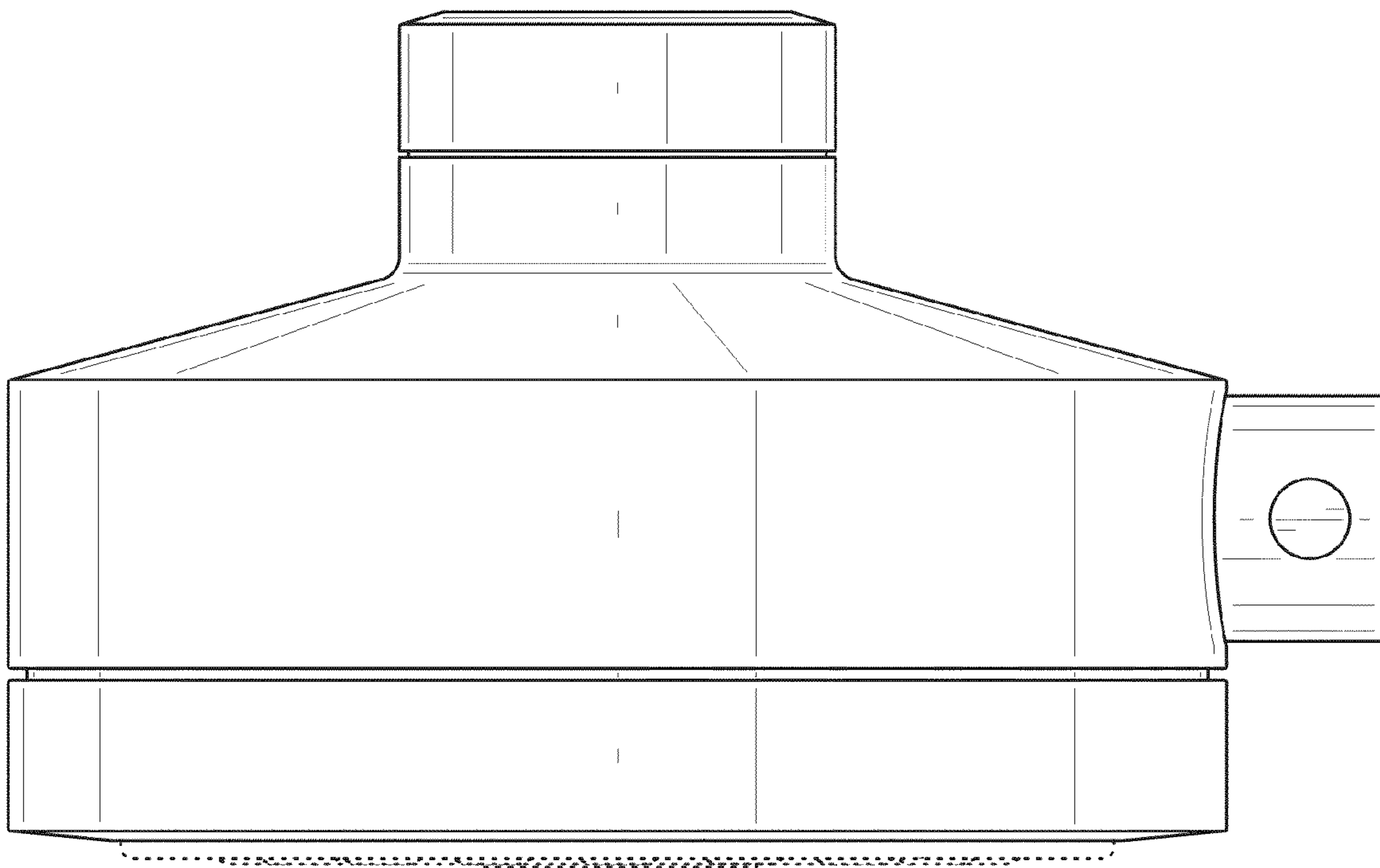


FIG. 1

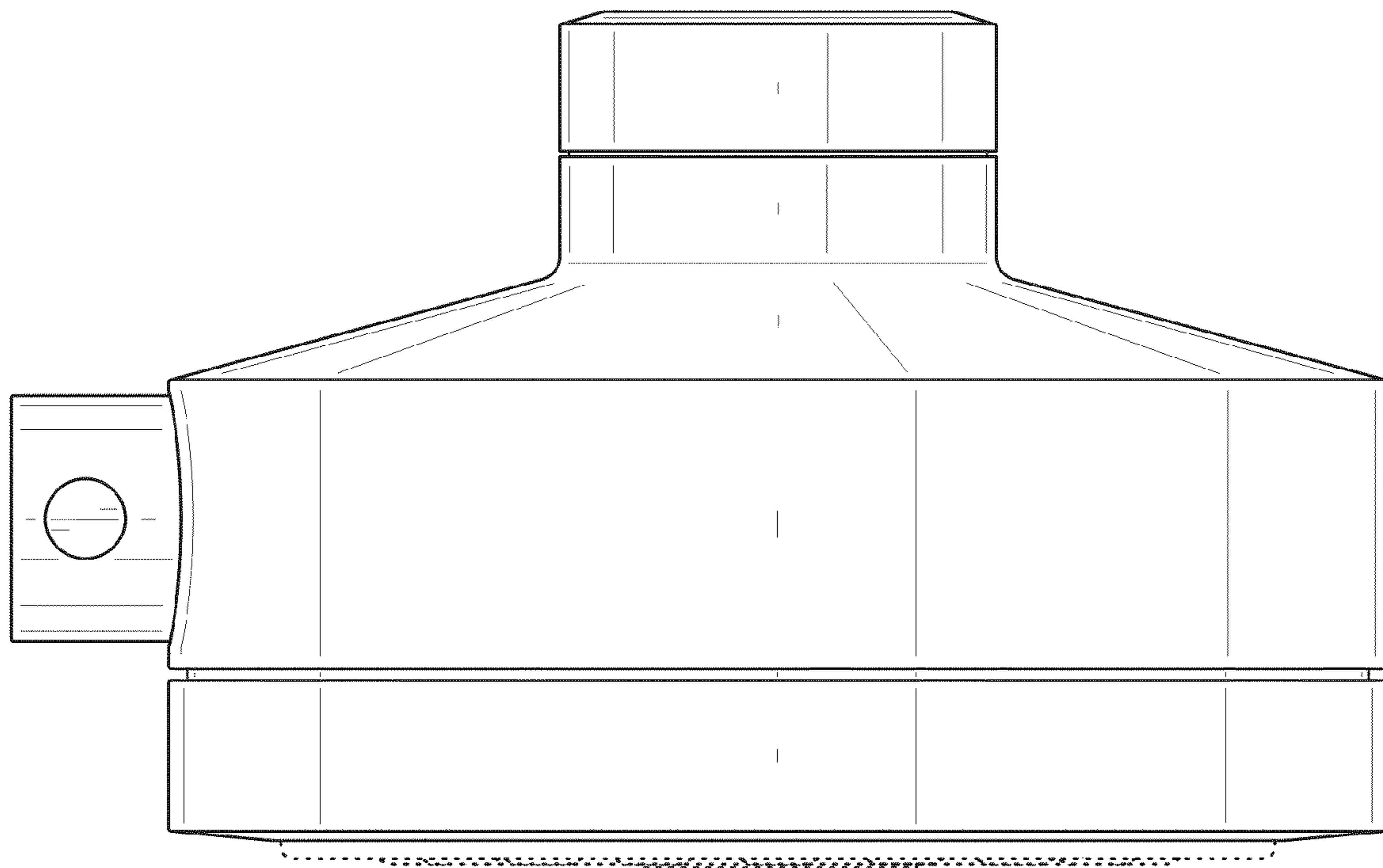


FIG. 2

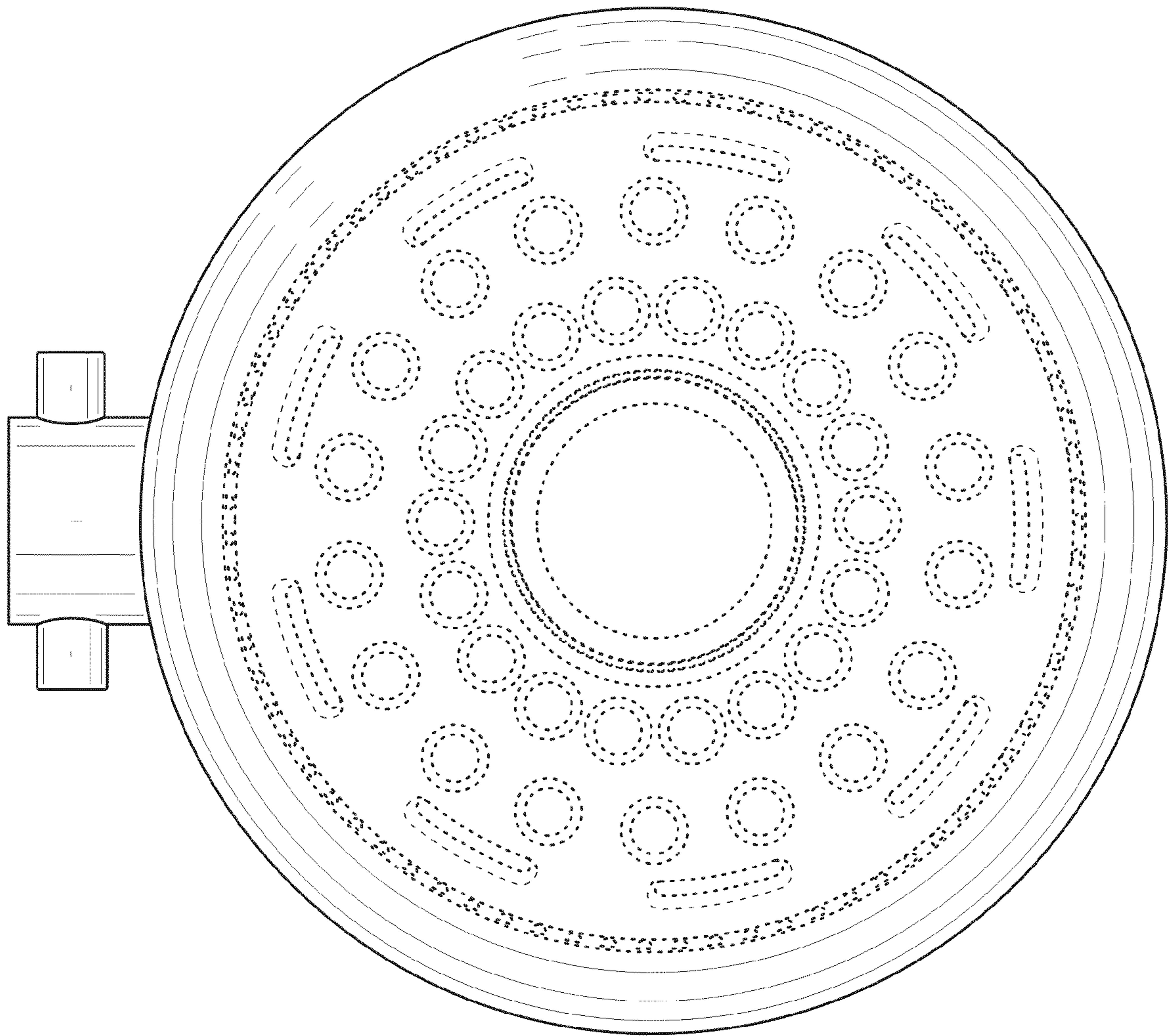


FIG. 3



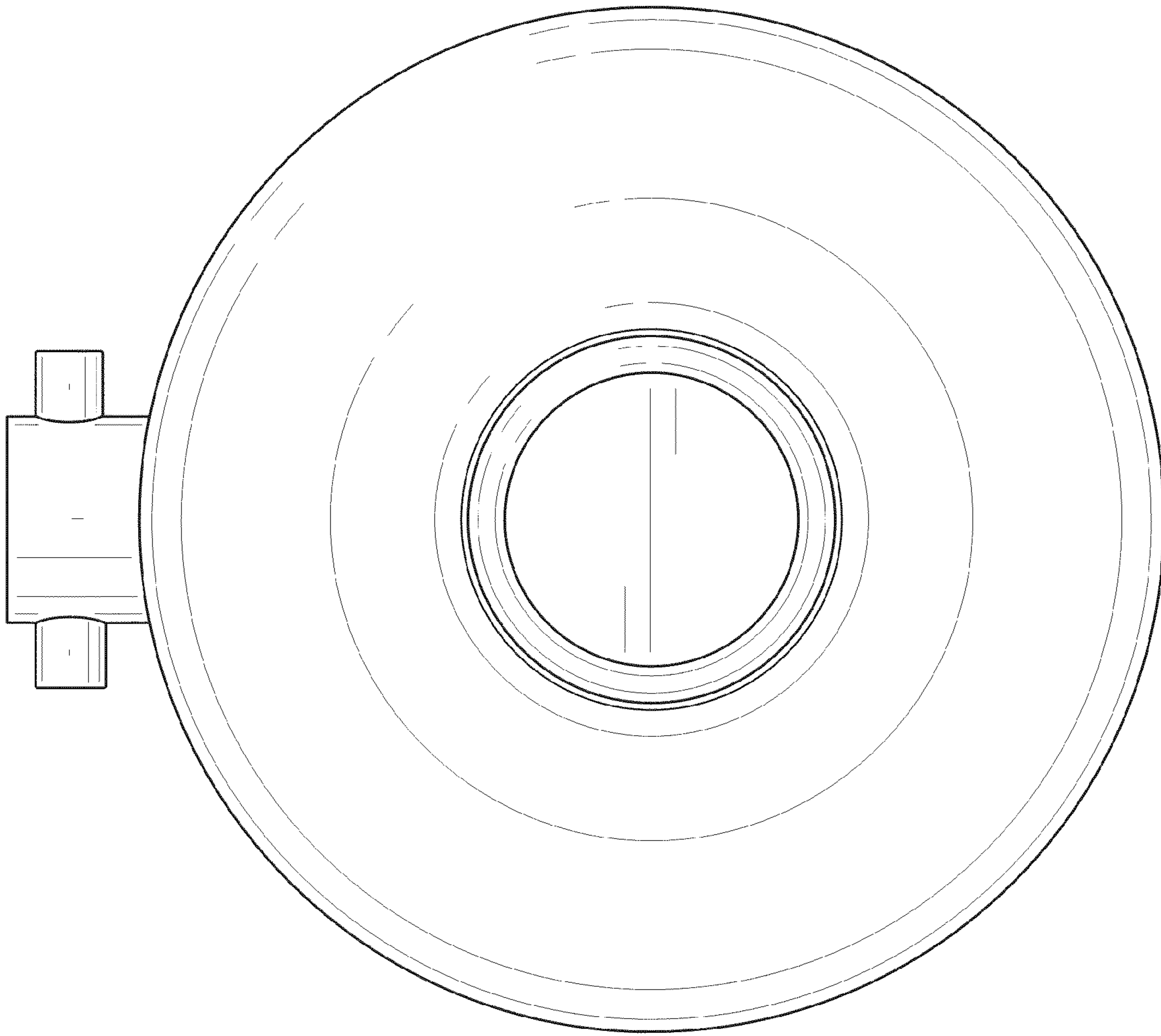


FIG. 4

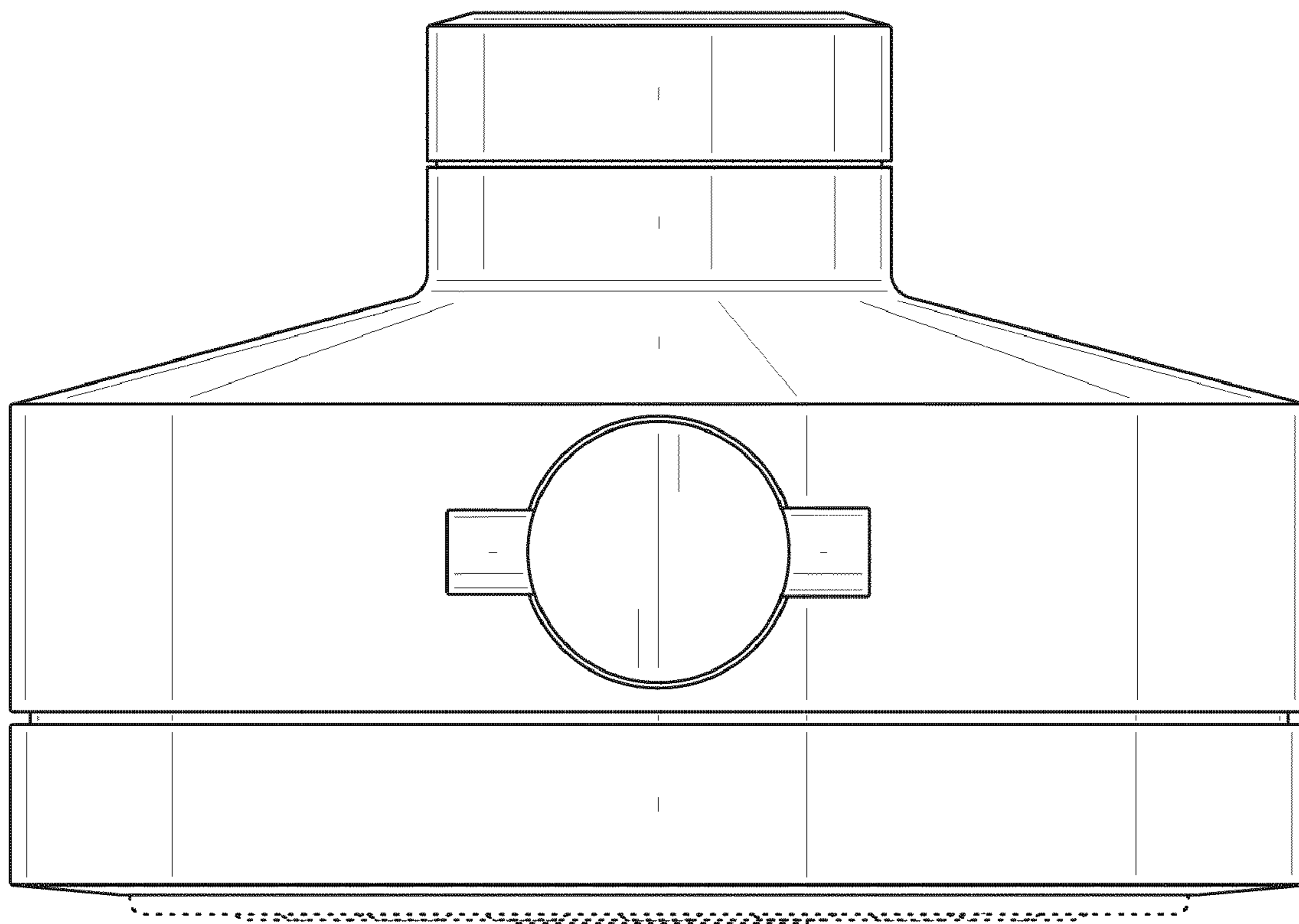


FIG. 5

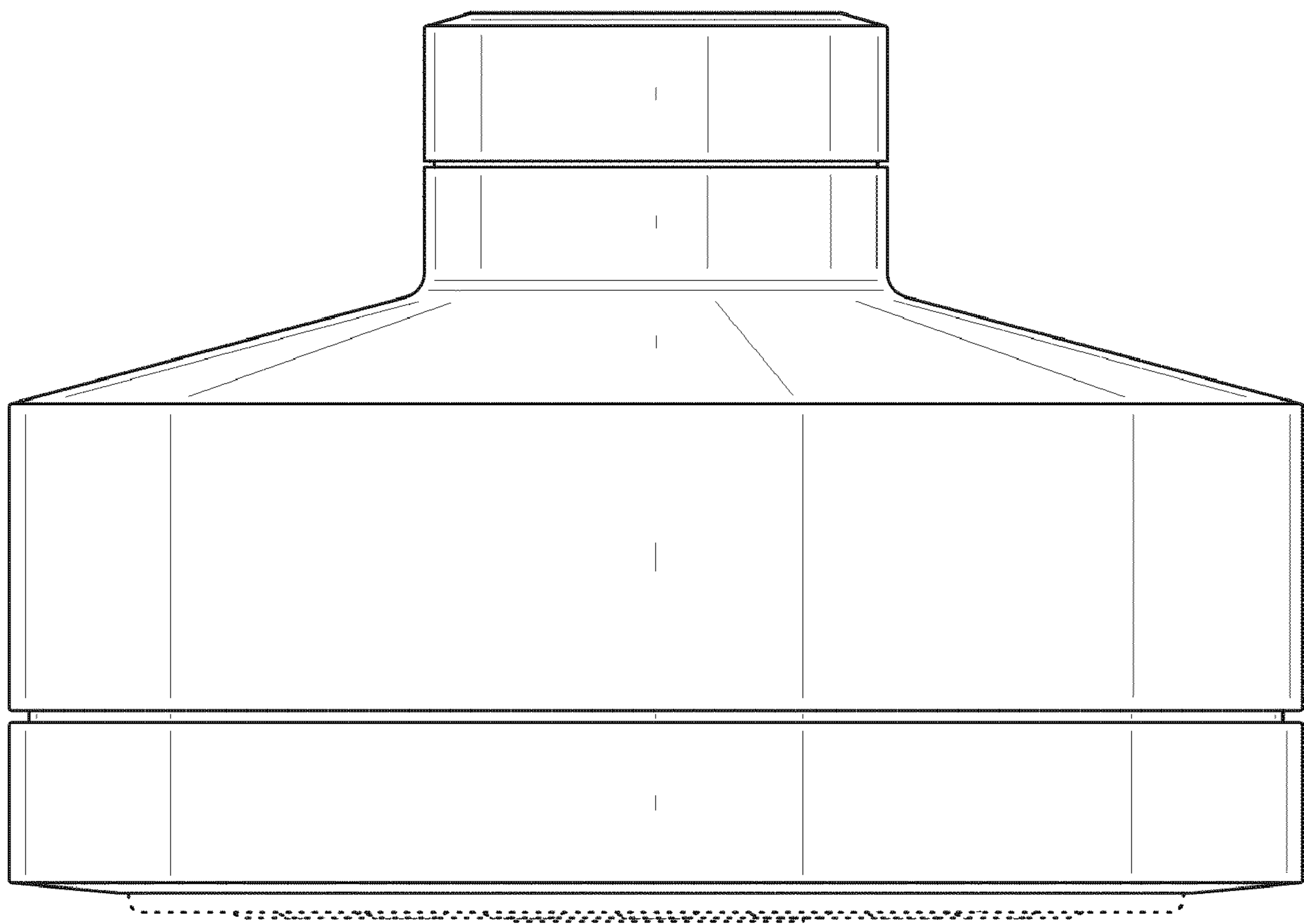


FIG. 6

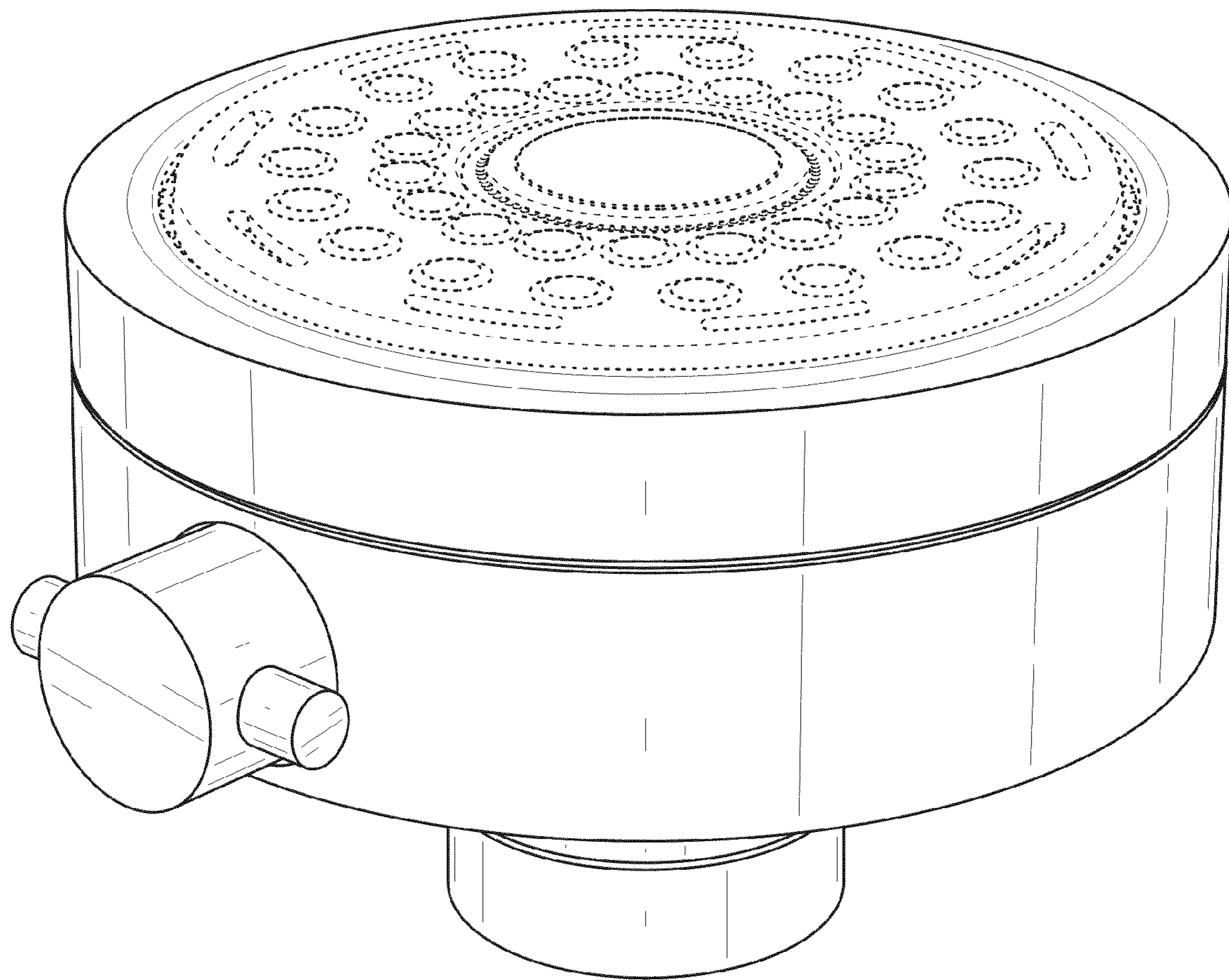


FIG. 7