



US00D656215S

(12) **United States Design Patent**
Fitzpatrick et al.

(10) **Patent No.:** **US D656,215 S**

(45) **Date of Patent:** **** Mar. 20, 2012**

(54) **HAND GUARD FOR A FIREARM**

(75) Inventors: **Richard Fitzpatrick**, Longmont, CO (US); **Michael T. Mayberry**, Denver, CO (US); **Eric Christopher Burt**, Flowery Branch, GA (US)

(73) Assignee: **Magpul Industries Corporation**, Erie, CO (US)

(**) Term: **14 Years**

(21) Appl. No.: **29/379,439**

(22) Filed: **Nov. 19, 2010**

(51) **LOC (9) Cl.** **22-01**

(52) **U.S. Cl.** **D22/108**

(58) **Field of Classification Search** D22/100, D22/101, 103, 104, 108, 199; D21/572, D21/573; 42/51, 71.02, 73, 75.01, 75.02; 89/40.06, 37.04, 33.04; 124/66, 67, 74

See application file for complete search history.

(56) **References Cited**

U.S. PATENT DOCUMENTS

D297,450 S * 8/1988 Florida D22/108
6,609,321 B2 * 8/2003 Faifer 42/71.01
D486,547 S * 2/2004 Faifer D22/108

(Continued)

OTHER PUBLICATIONS

BravoCompanyUSA_com_2007_M4_Hand_Gaurd
BravoCompanyUSA.com (Oct. 15, 2007) M4 Hand Gaurd; Website
[Online] Available Web Site: <http://www.bravocompanyusa.com/M4-Handguards-Black-p/bcm%20handguards%20m4%20black.htm>;
Last Update: Feb. 19, 2008; Accessed on Feb. 23, 2011.

(Continued)

Primary Examiner — Michael Pratt

(74) *Attorney, Agent, or Firm* — Swanson & Bratschun, L.L.C.

(57) **CLAIM**

The ornamental design for a hand guard for a firearm, as shown and described.

DESCRIPTION

FIG. 1 is a left side elevation view of a hand guard for a firearm shown mounted on a rifle, with the rifle illustrated in broken lines showing our new design;

FIG. 2 is a left, front, bottom perspective view of the hand guard for a firearm of FIG. 1;

FIG. 3 is a right side elevation view of the hand guard for a firearm of FIG. 1;

FIG. 4 is a top plan view of the hand guard for a firearm of FIG. 1;

FIG. 5 is a bottom plan view of the hand guard for a firearm of FIG. 1;

FIG. 6 is a rear elevation view of the hand guard for a firearm of FIG. 1;

FIG. 7 is a front elevation view of the hand guard for a firearm of FIG. 1;

FIG. 8 is a left, front, bottom perspective view of an alternate embodiment of a hand guard illustrating a break in the hand guard with no specific length being claimed;

FIG. 9 is a right side elevation view of the embodiment of FIG. 8, the left side being a mirror image thereof;

FIG. 10 is top plan view of the embodiment of FIG. 8;

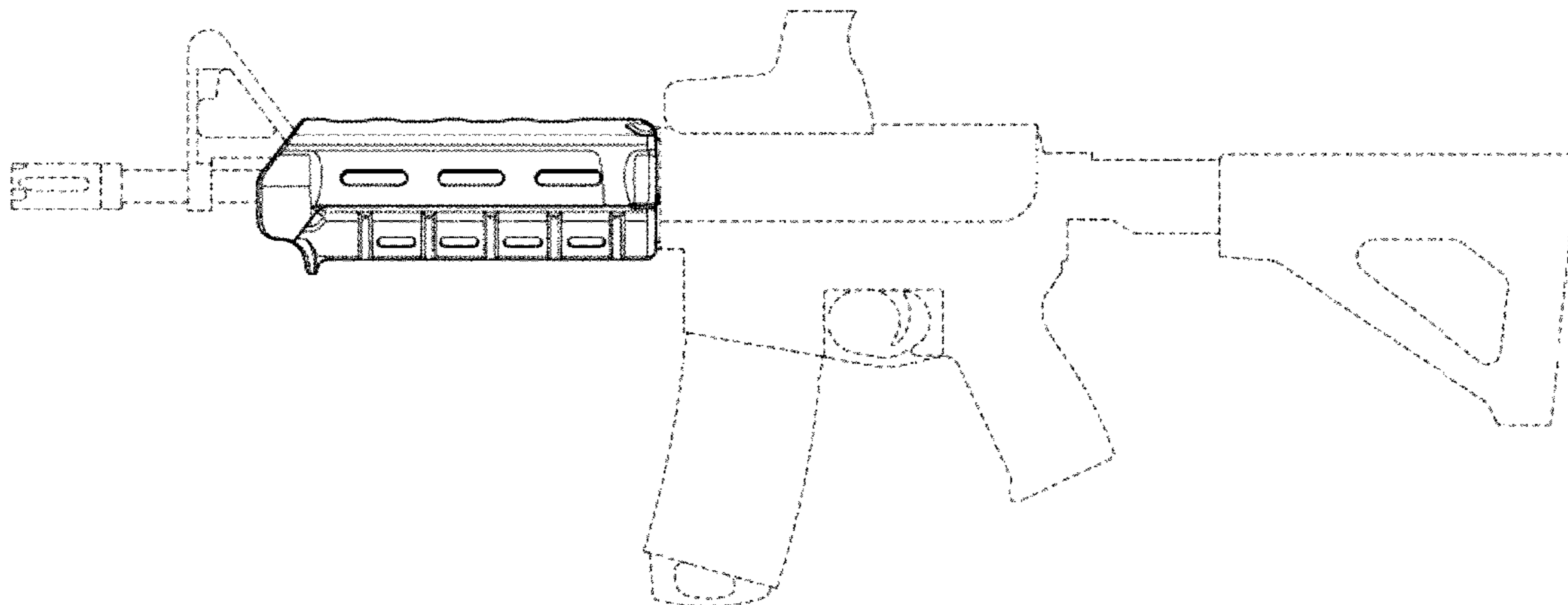
FIG. 11 is bottom plan view of the embodiment of FIG. 8;

FIG. 12 is a rear elevation view of the embodiment of FIG. 8; and,

FIG. 13 is a front elevation view of the embodiment of FIG. 8.

The broken lines showing portions of the design in all figures is included for the purpose of illustrating environment and unclaimed features and forms not part of the claimed design.

1 Claim, 7 Drawing Sheets



US D656,215 S

Page 2

U.S. PATENT DOCUMENTS

D507,619 S * 7/2005 Shiloni D22/108
D615,142 S * 5/2010 Bentley D22/108
D641,450 S * 7/2011 Ding D22/108

OTHER PUBLICATIONS

Bushmaster_com_ACR_Accessories_Polymer_Hand_Guard
Bushmaster.com, ACR Accessories—Polymer Hand Guard—Car-
bine—Black; Website [Online] Available Web Site: [http://www.](http://www.bushmaster.com/ACR_Accessories_Polymer_Hand_Guard_Carbine_Black)

bushmaster.com/products.asp?cat=11; Last Update: unknown;
Accessed on Feb. 23, 2011.

DSArms_com_SA58_FAL_Spartan_Tactical_Rifle DSArms.
com, SA58 FAL Spartan Tactical Rifle .308 Caliber—
SA58SPNTAC; Website [Online] Available Web Site: [http://www.](http://www.dsarms.com/SA58-FAL-Spartan-Tactical-Rifle-308-Caliber---SA58SPNTAC/productinfo/SA58SPNTAC/)
dsarms.com/SA58-FAL-Spartan-Tactical-Rifle-308-Caliber---
SA58SPNTAC/productinfo/SA58SPNTAC/; Last Update:
unknown; Accessed on Feb. 23, 2011.

* cited by examiner

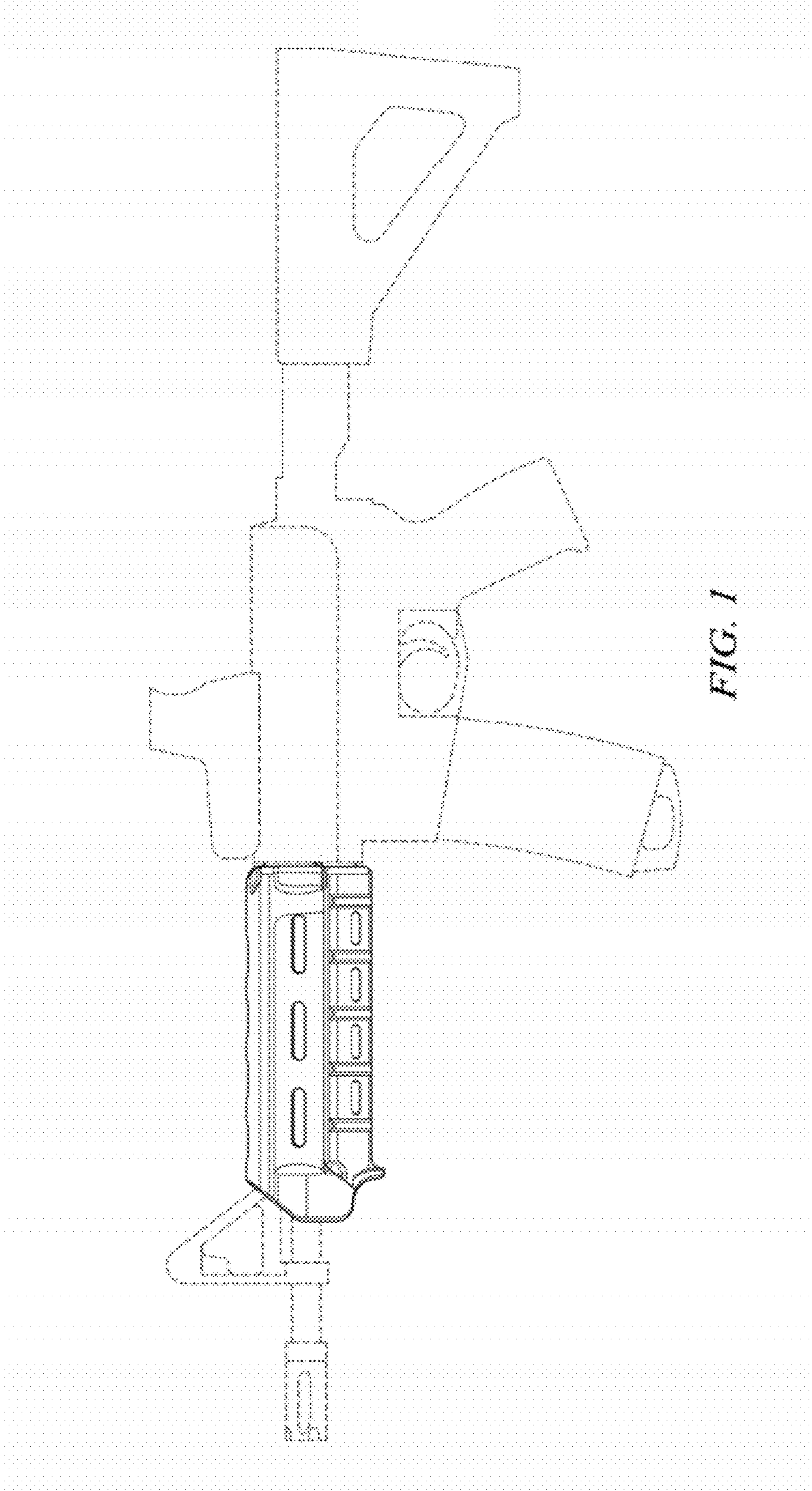


FIG. 1

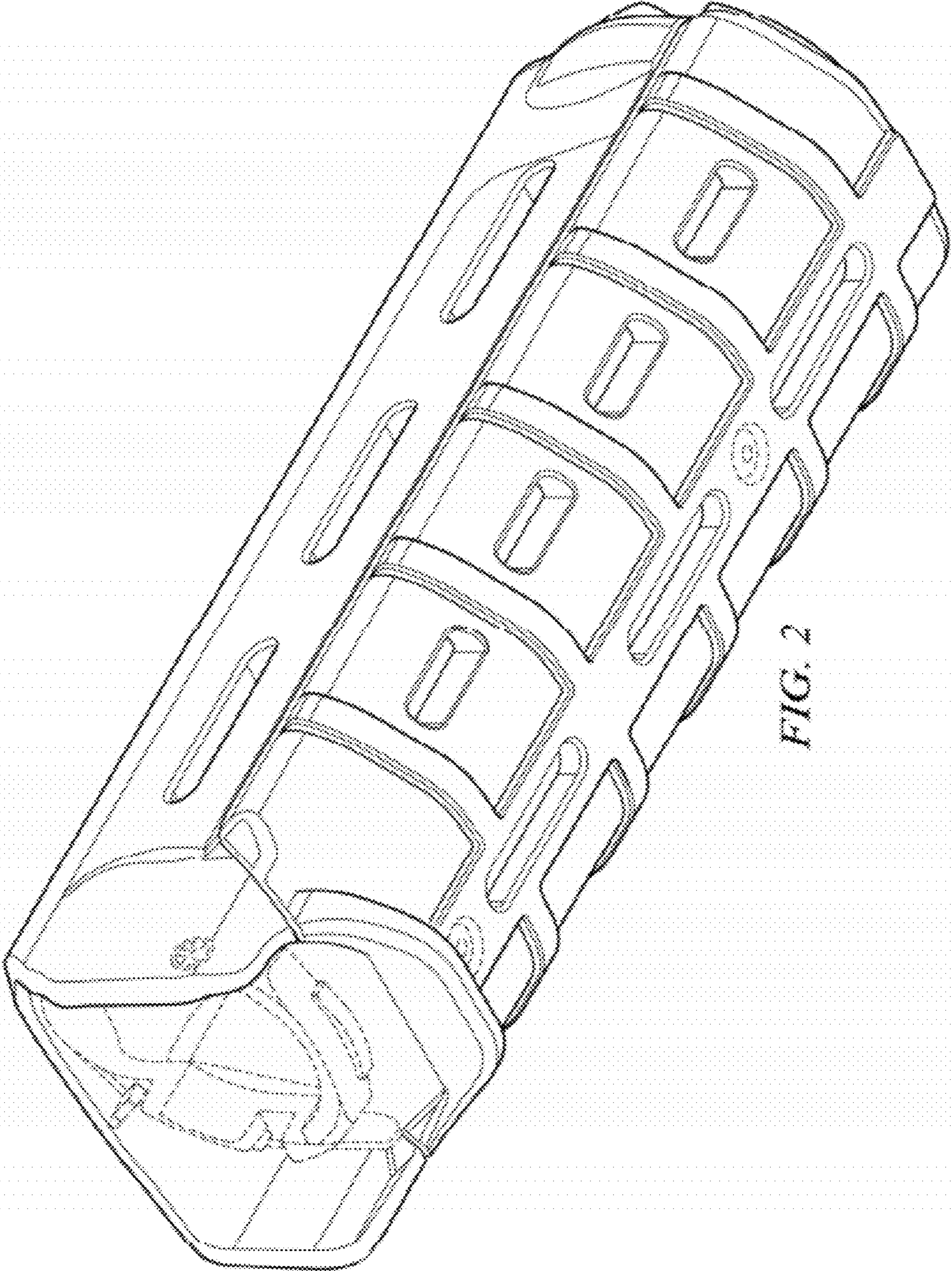


FIG. 2

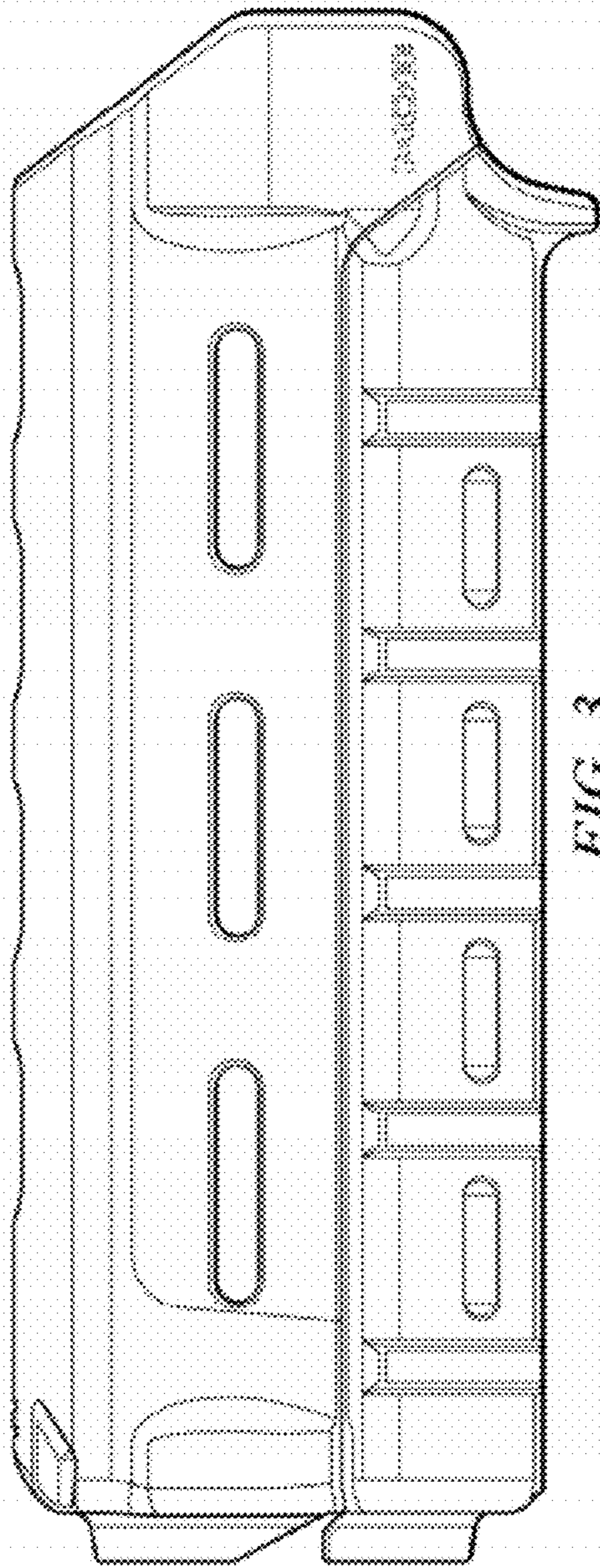


FIG. 3

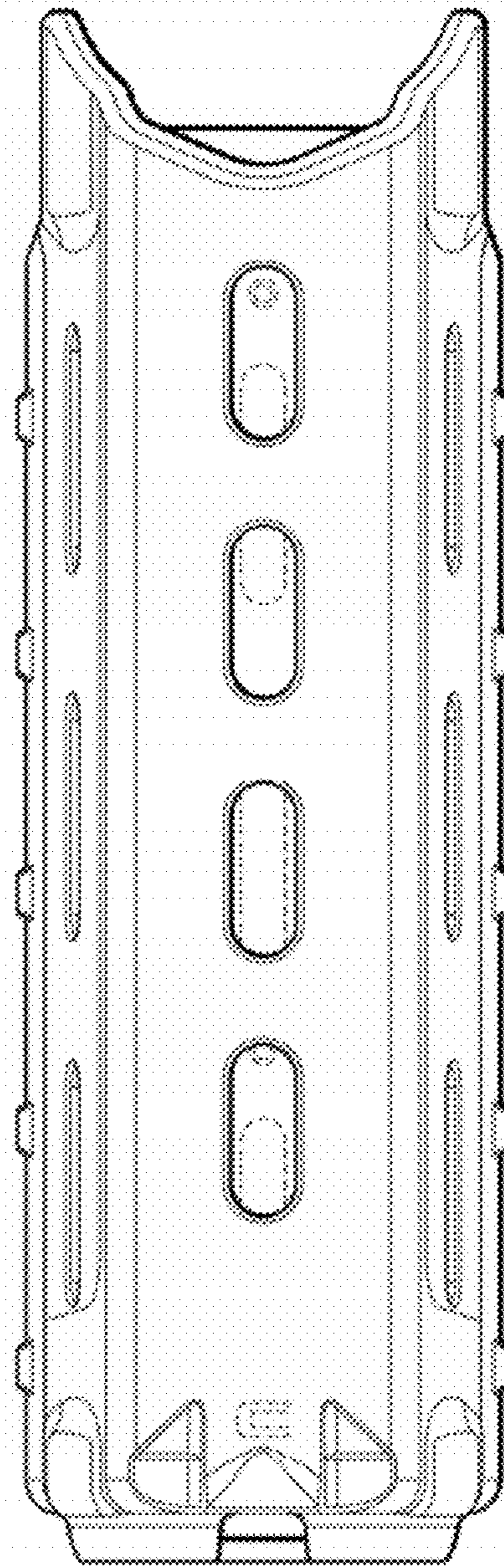


FIG. 4

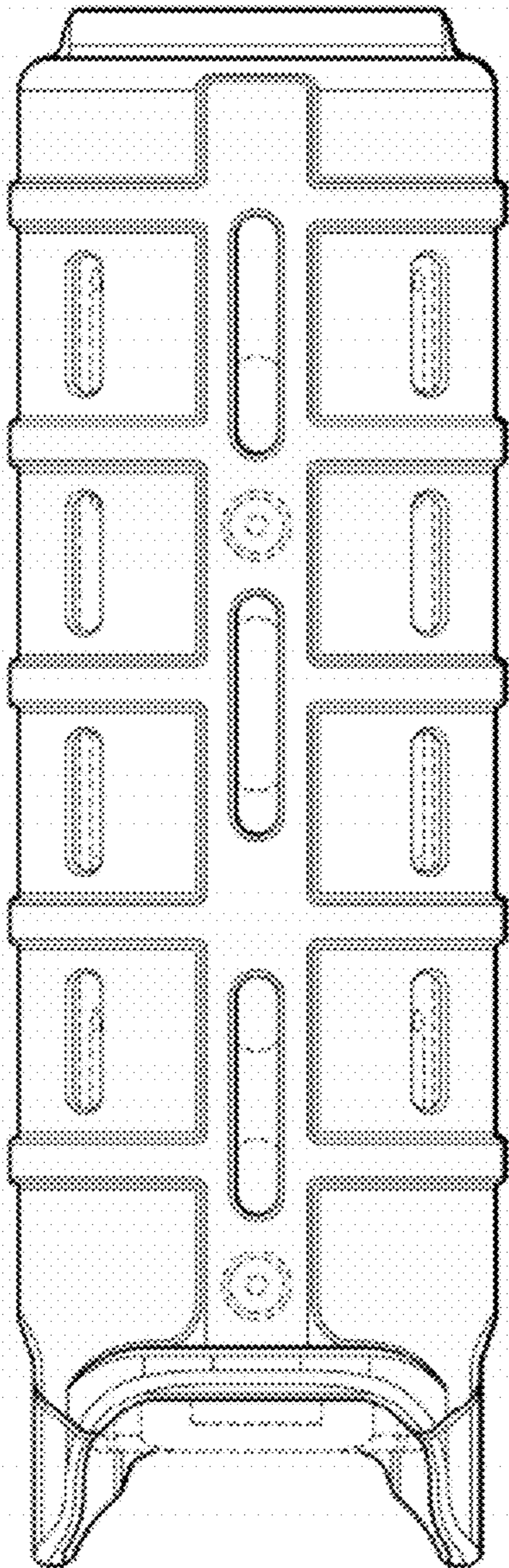


FIG. 5

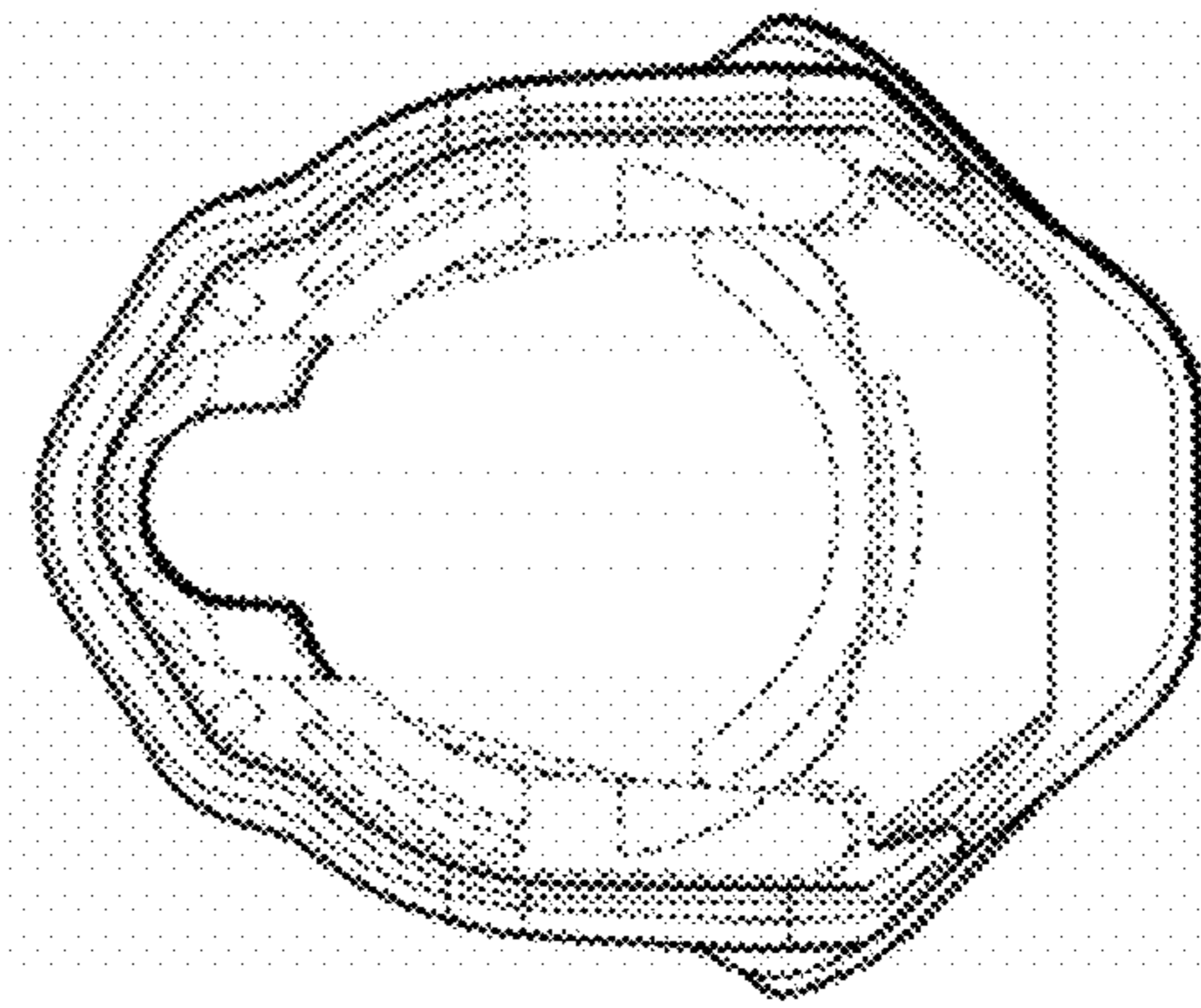


FIG. 7

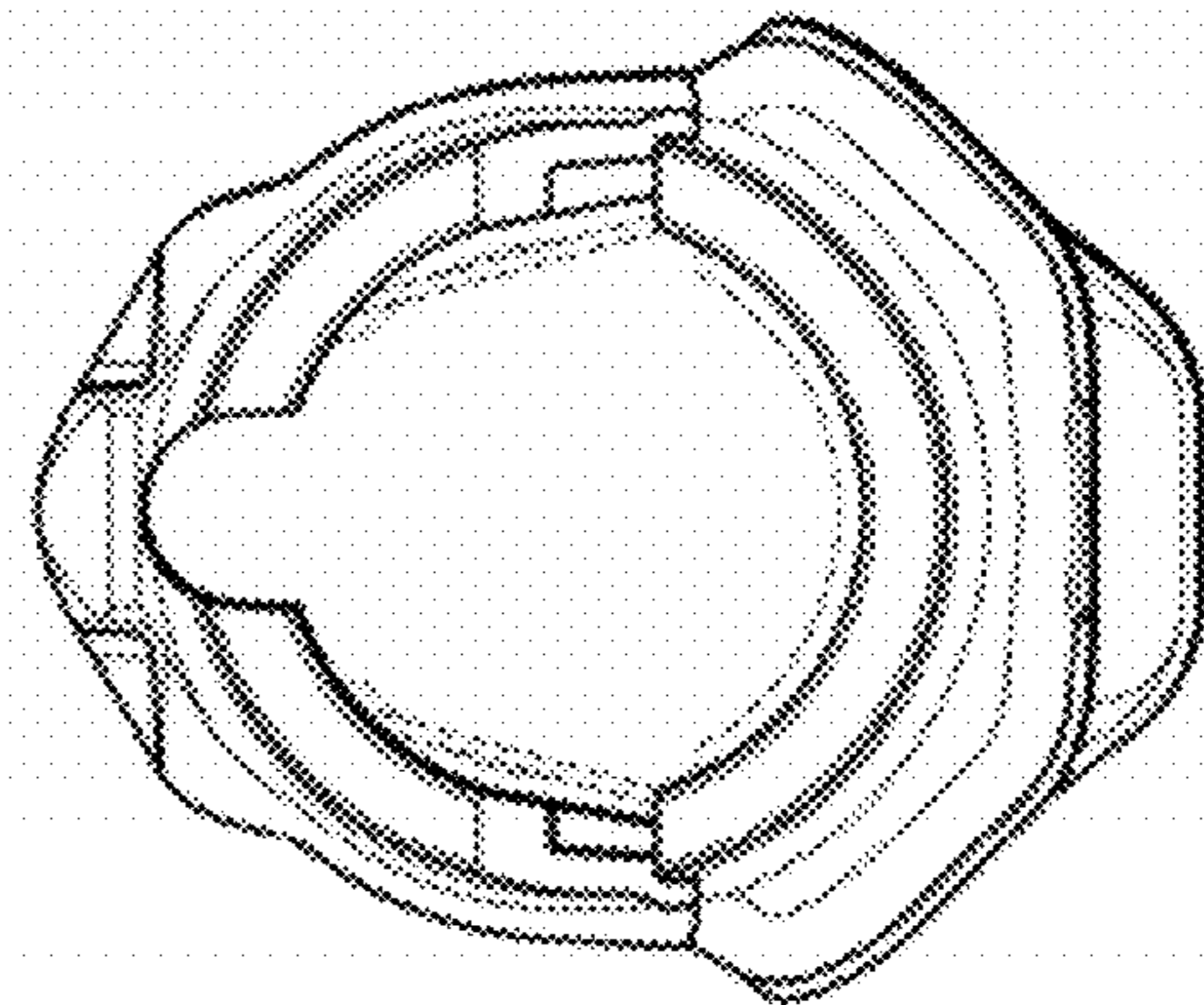


FIG. 6

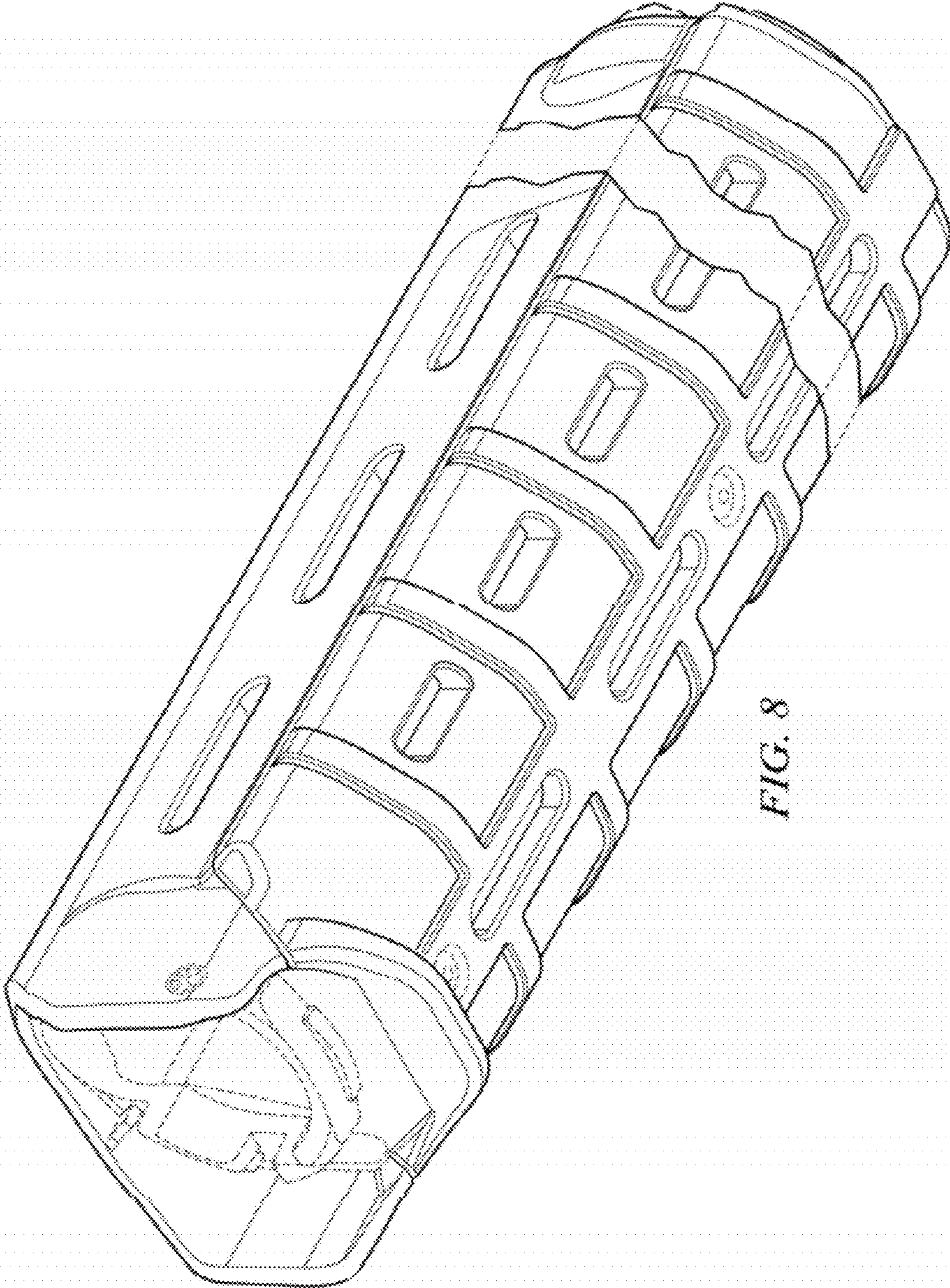
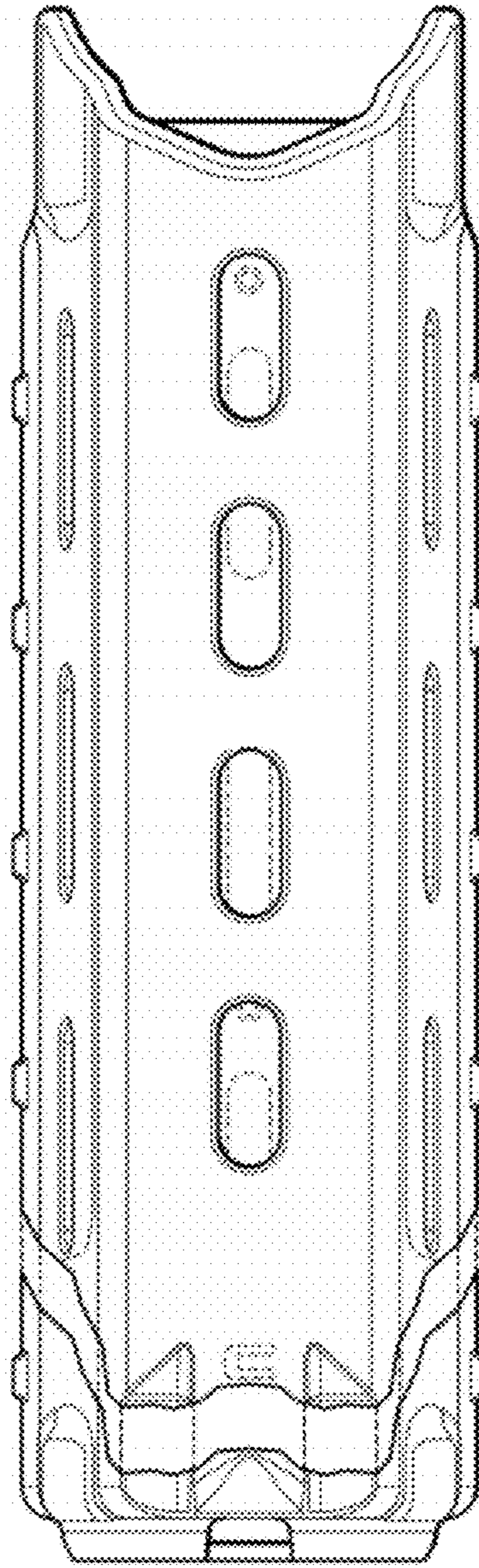
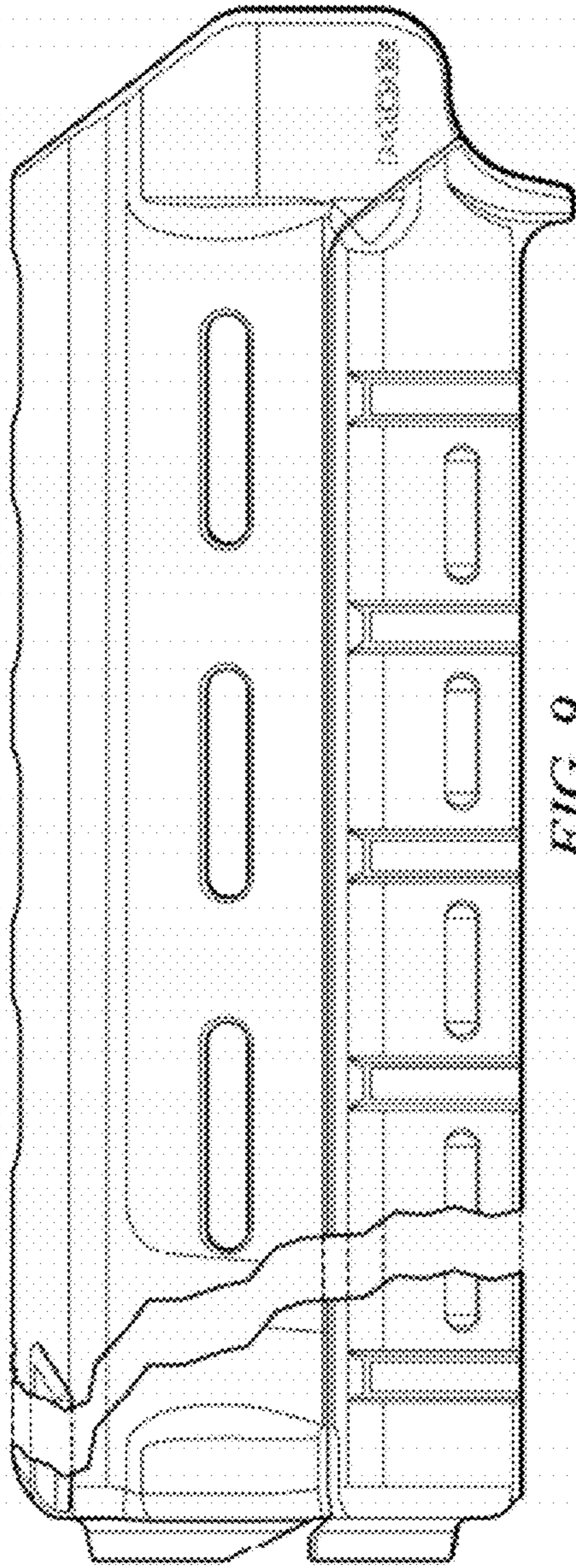


FIG. 8



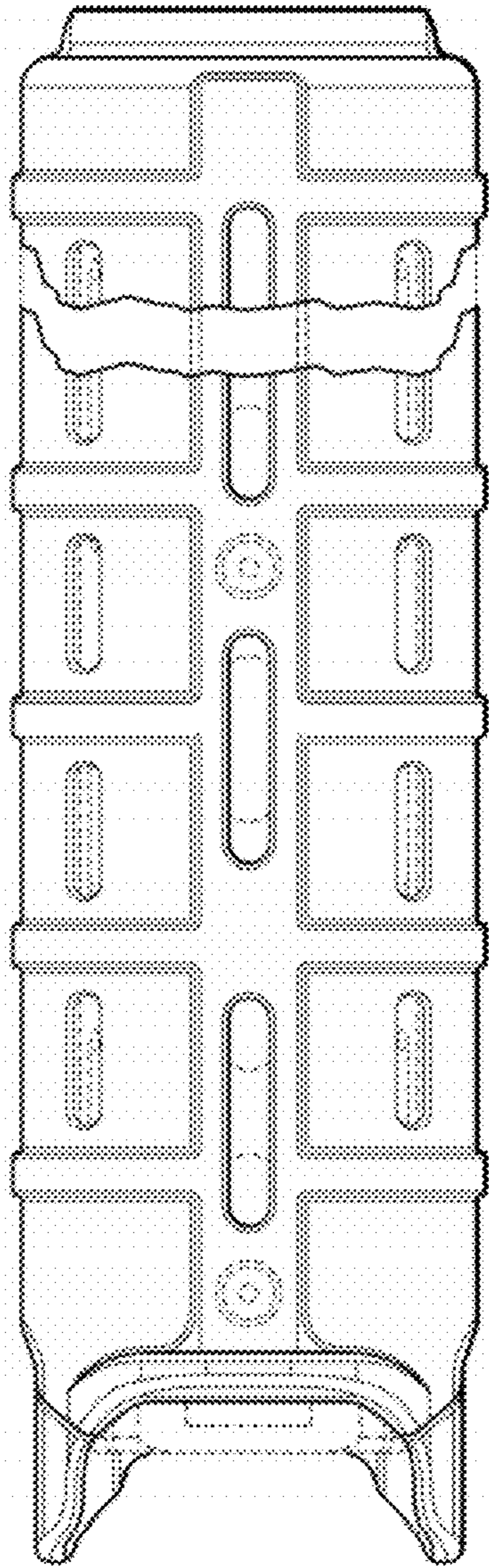


FIG. 11

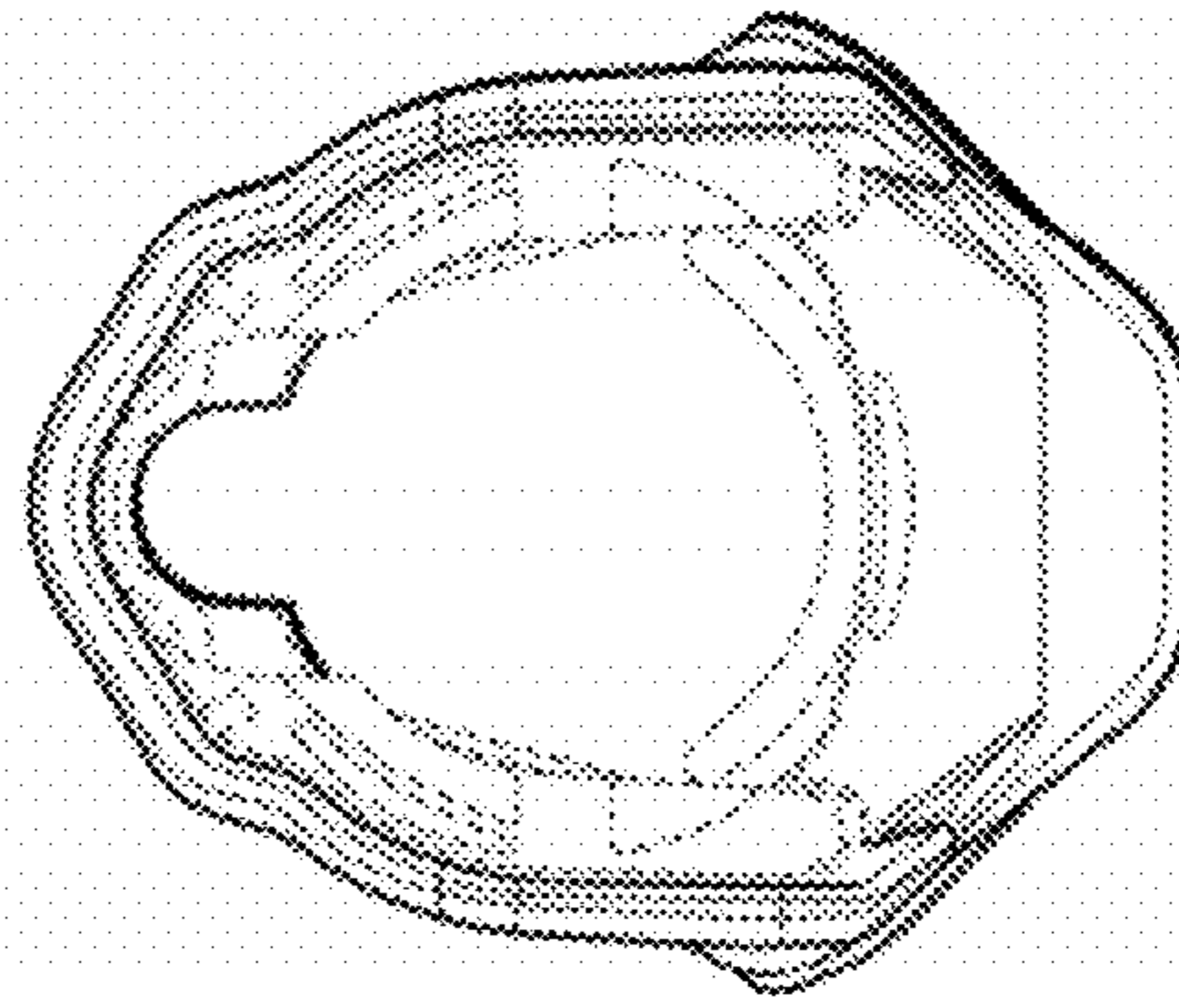


FIG. 13

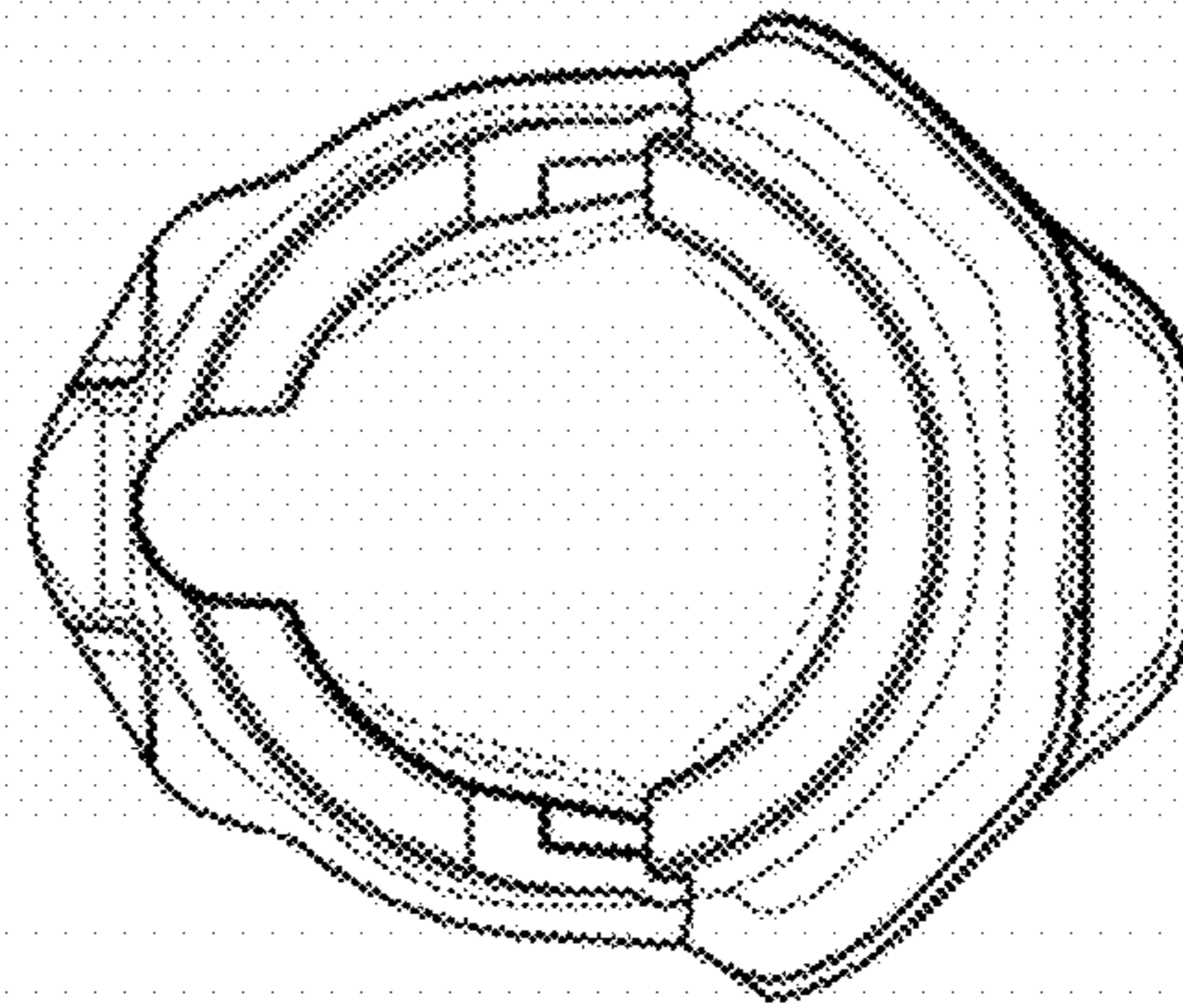


FIG. 12