



US00D656214S

(12) **United States Design Patent**  
**Howland**

(10) **Patent No.:** **US D656,214 S**  
(45) **Date of Patent:** **\*\* Mar. 20, 2012**

(54) **FIELD REST FOR SHOTGUN, RIFLE,  
AND/OR BOW**

(76) **Inventor:** **Herbert Richard Howland**, Atwood,  
KS (US)

(\*\*) **Term:** **14 Years**

(21) **Appl. No.:** **29/362,516**

(22) **Filed:** **May 26, 2010**

(51) **LOC (9) Cl.** ..... **22-01**

(52) **U.S. Cl.** ..... **D22/108; D22/199**

(58) **Field of Classification Search** ..... **D22/100,**  
**D22/108, 199; D8/1, 380, 381; 42/94; 89/37.04;**  
**211/64, 13.1, 49.1, 60.1, 70.5, 86.01, 87.01,**  
**211/88.01, 89.01, 181.1, 560; 248/156, 530,**  
**248/121, 175, 200, 302, 304, 309.1, 310,**  
**248/312, 87, 118; D6/329, 396, 417, 552,**  
**D6/553, 567; D21/385, 662, 698; 74/74;**  
**D26/67; 29/7.1; 256/21; 119/786-788;**  
**135/118; D30/154**

See application file for complete search history.

(56) **References Cited**

U.S. PATENT DOCUMENTS

4,676,021	A *	6/1987	Groba	.....	42/94
5,286,019	A *	2/1994	Watabe	.....	473/282
5,808,227	A *	9/1998	Amos	.....	89/36.01
5,819,462	A *	10/1998	Dockery	.....	42/94
2011/0006172	A1 *	1/2011	Sargent	.....	248/156

\* cited by examiner

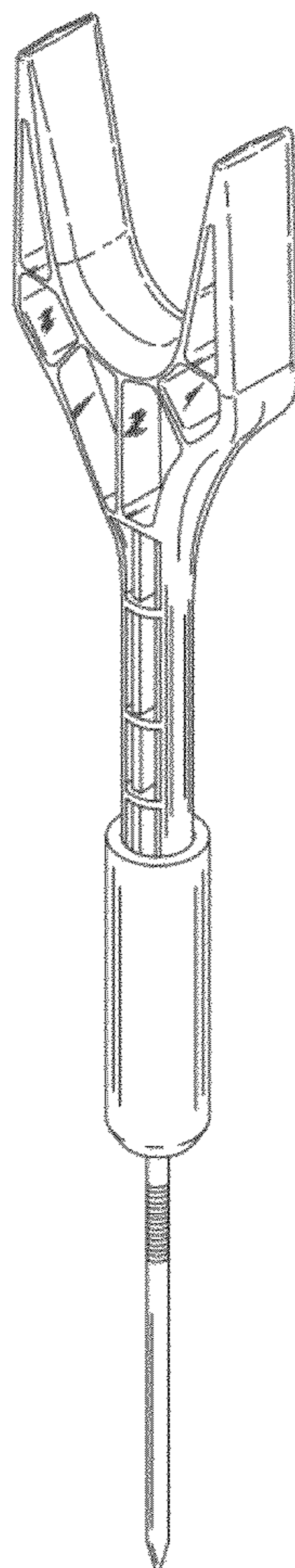
*Primary Examiner* — Michael Pratt  
(74) *Attorney, Agent, or Firm* — Sinorica, LLC

(57) **CLAIM**  
The ornamental design for a field rest for a shotgun, rifle, and/or bow, as shown and described.

**DESCRIPTION**

FIG. 1 is a front perspective view of a field rest for a shotgun, rifle, and/or bow;  
FIG. 2 is a front elevational view thereof;  
FIG. 3 is a rear elevational view thereof;  
FIG. 4 is a right-side elevational view thereof;  
FIG. 5 is a left-side elevational view thereof;  
FIG. 6 is a top plan view thereof; and,  
FIG. 7 is a bottom plan view thereof.

**1 Claim, 4 Drawing Sheets**



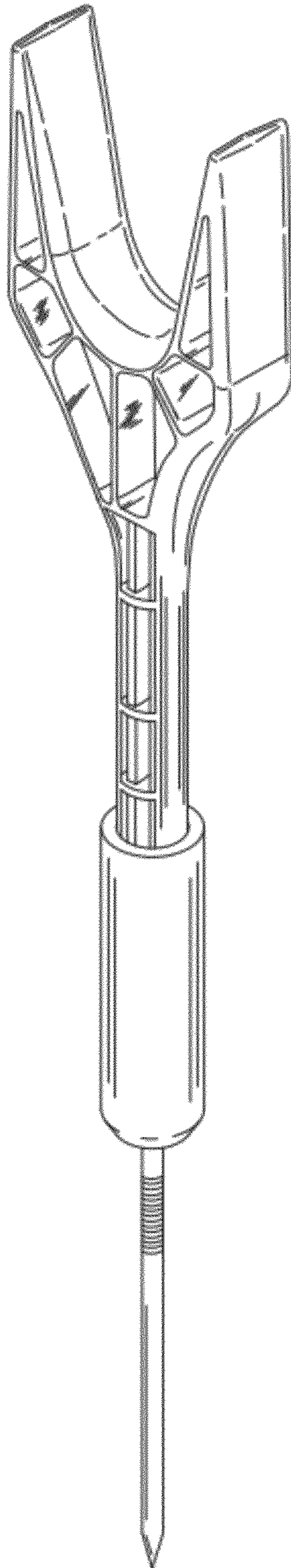


FIG. 1

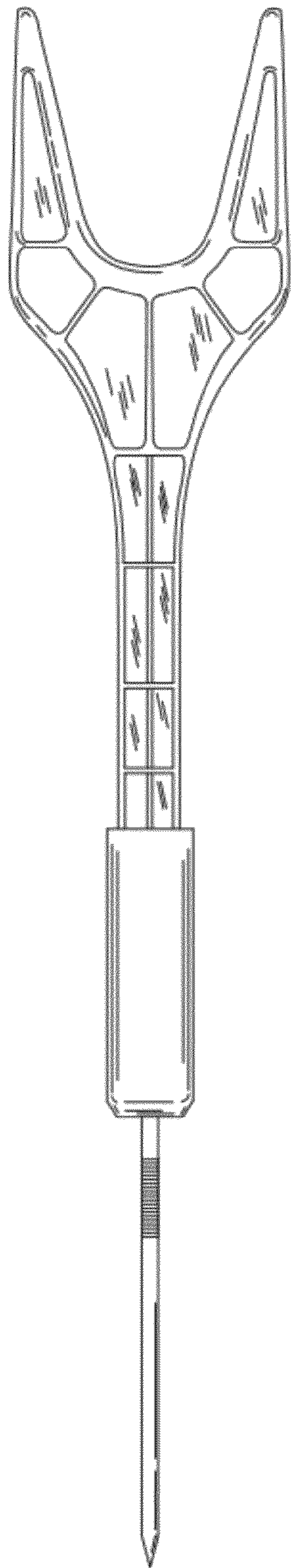


FIG. 2

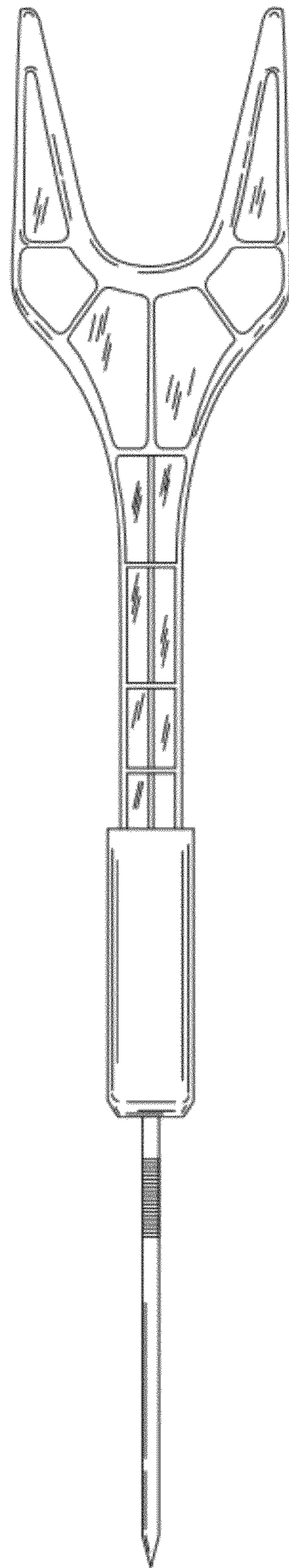


FIG. 3

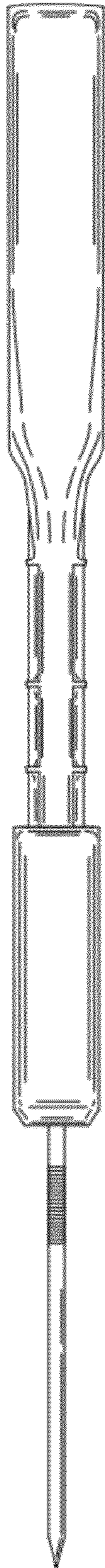


FIG. 4

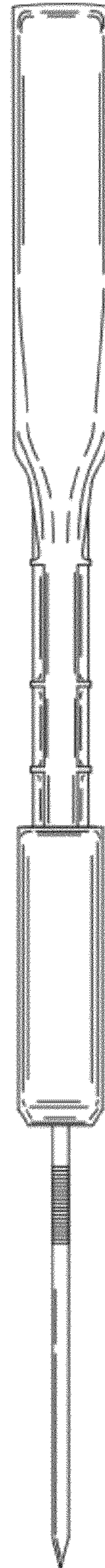


FIG. 5



FIG. 6

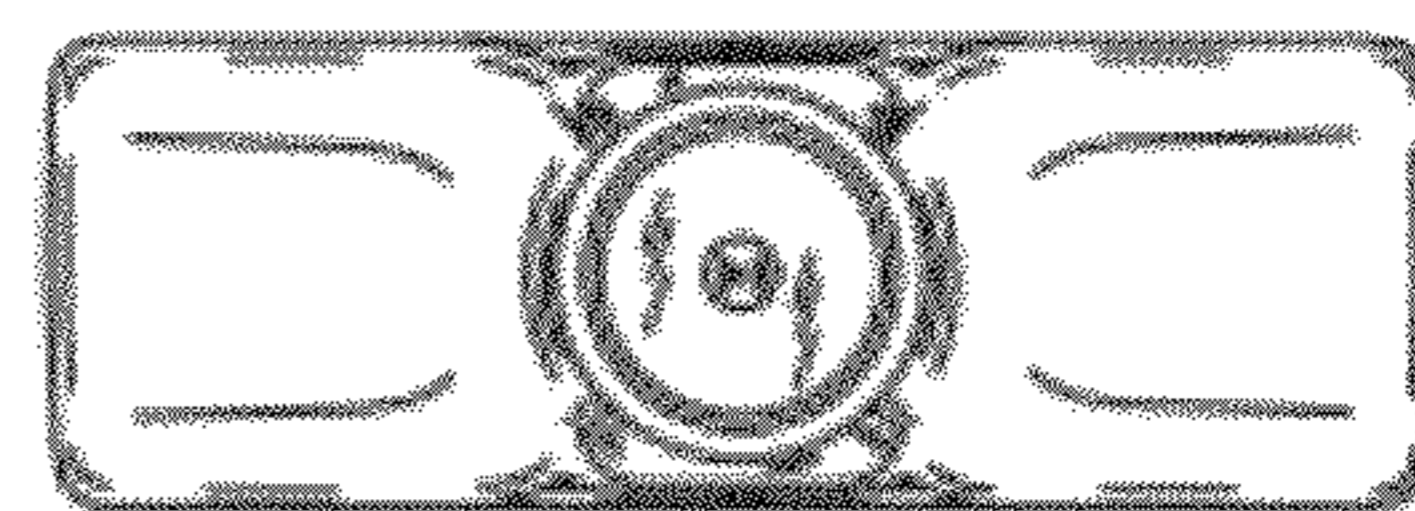


FIG. 7