



US00D656212S

(12) **United States Design Patent**
Cherrie et al.

(10) **Patent No.:** **US D656,212 S**
(45) **Date of Patent:** **** Mar. 20, 2012**

(54) **COMBINED GOLF TEE AND DIVOT REPAIR TOOL**

(75) Inventors: **Paul Anthony Cherrie**, Toronto (CA);
Jonathan D. Liberty, Newmarket (CA)

(73) Assignee: **Nearly New Golf Ltd.**, Mississauga (CA)

(**) Term: **14 Years**

(21) Appl. No.: **29/387,513**

(22) Filed: **Mar. 14, 2011**

(51) **LOC (9) Cl.** **21-02**

(52) **U.S. Cl.** **D21/793; D21/717**

(58) **Field of Classification Search** D21/717-718,
D21/793, 794; 473/387-403, 408, 286
See application file for complete search history.

(56) **References Cited**

U.S. PATENT DOCUMENTS

D316,286 S *	4/1991	Johnson	D21/718
D385,940 S *	11/1997	Justice	D21/794
D487,788 S *	3/2004	Impellizeri	D21/793
D572,323 S *	7/2008	Merullo	D21/718

* cited by examiner

Primary Examiner — Mitchell Siegel
(74) *Attorney, Agent, or Firm* — Hill & Schumacher

(57) **CLAIM**

The ornamental design for a combined golf tee and divot repair tool, as shown and described.

DESCRIPTION

FIG. 1 is a perspective view of the combined golf tee and divot repair tool;

FIG. 2 is another perspective view of the combined golf tee and divot repair tool;

FIG. 3 is another perspective view of the combined golf tee and divot repair tool;

FIG. 4 is a side elevation view thereof;

FIG. 5 is a rear elevation view thereof;

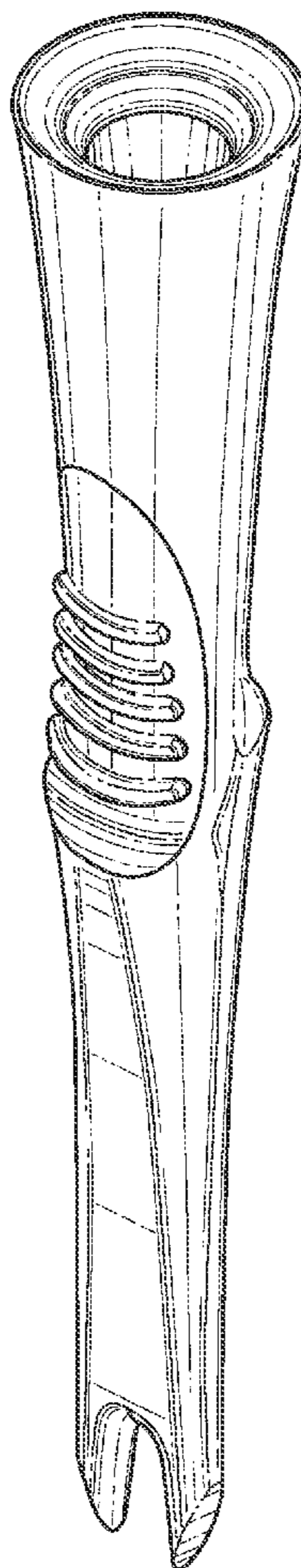
FIG. 6 is an enlarged top view thereof;

FIG. 7 is an enlarged bottom view thereof;

FIG. 8 is a front elevation view thereof; and,

FIG. 9 is a cross-sectional view taken on line 9-9 of FIG. 8.

1 Claim, 4 Drawing Sheets



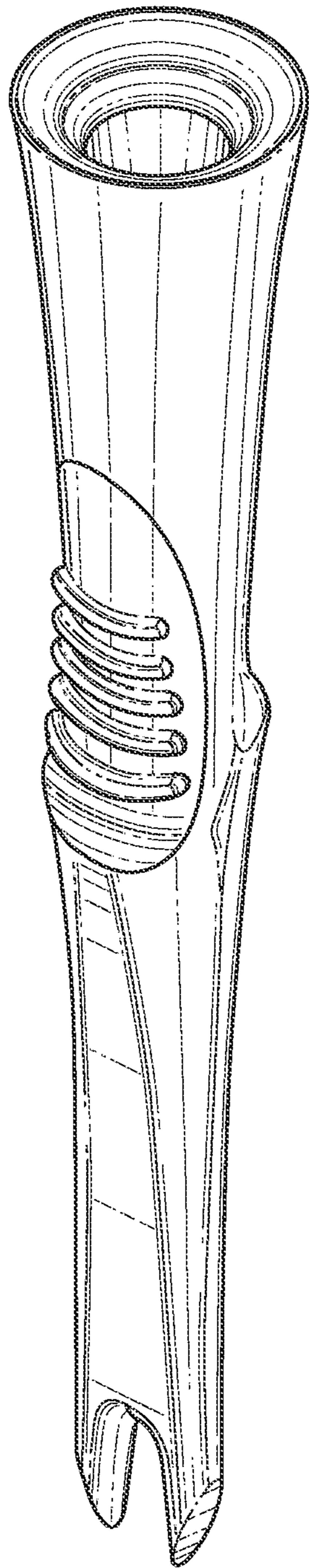


FIG. 1

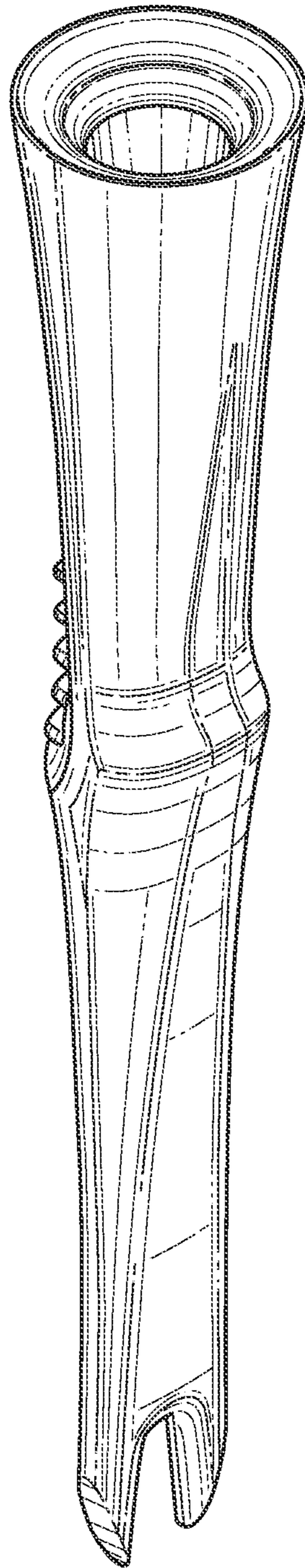


FIG. 2

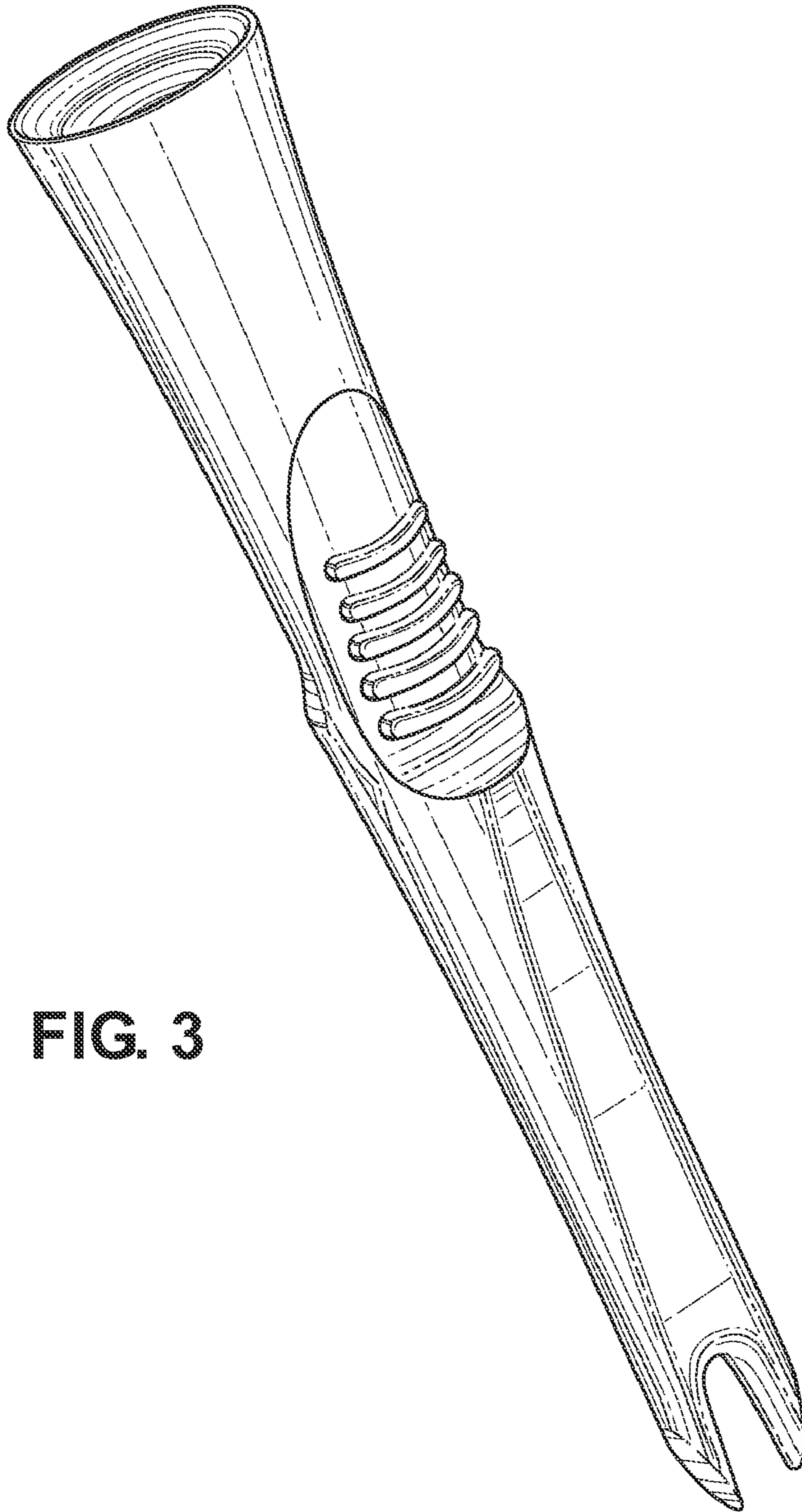


FIG. 3

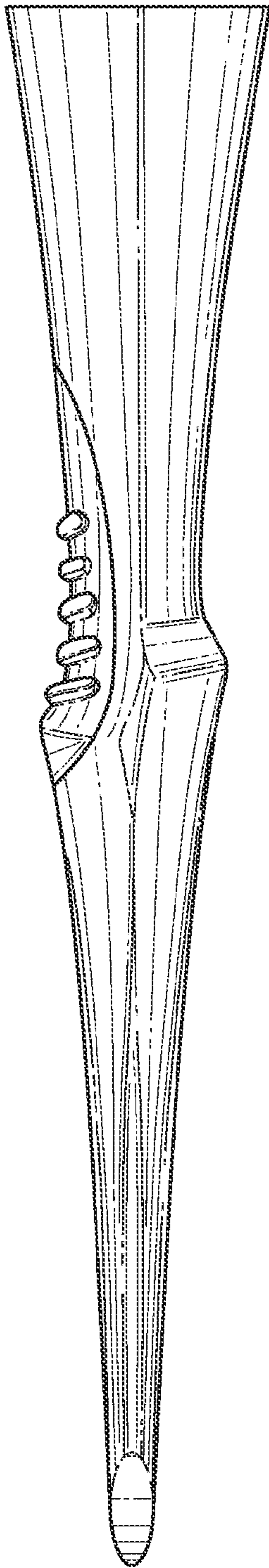


FIG. 4

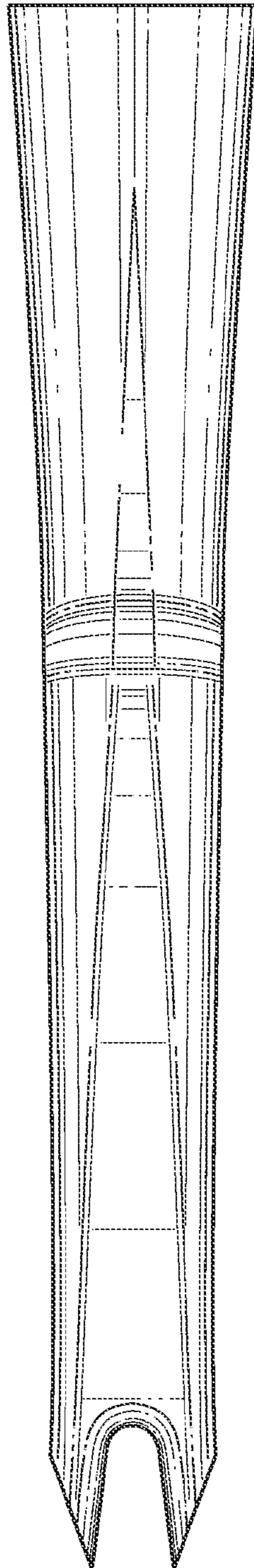


FIG. 5

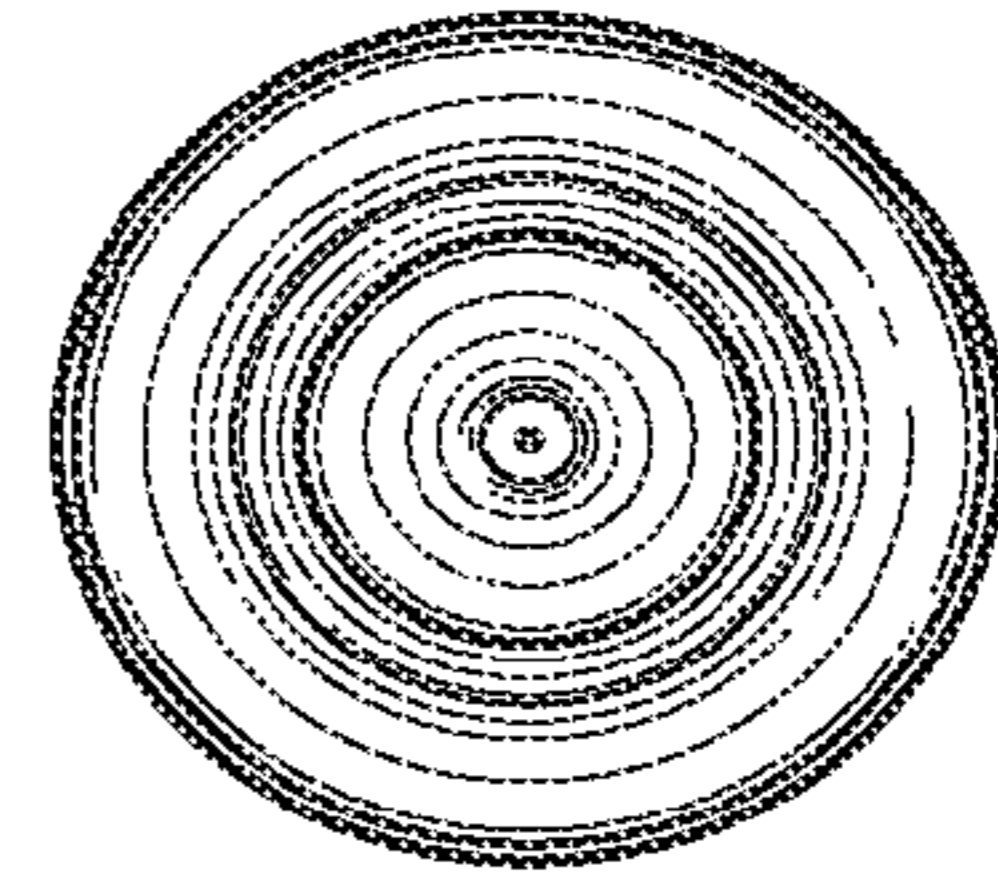


FIG. 6

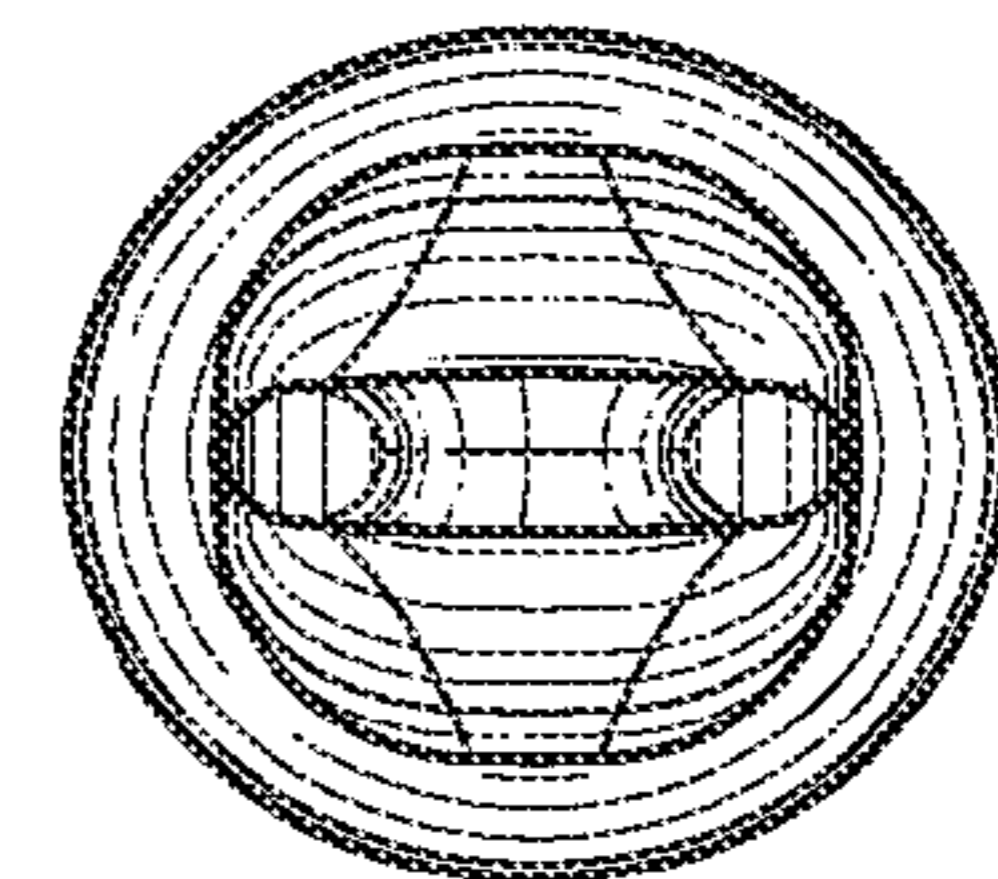


FIG. 7

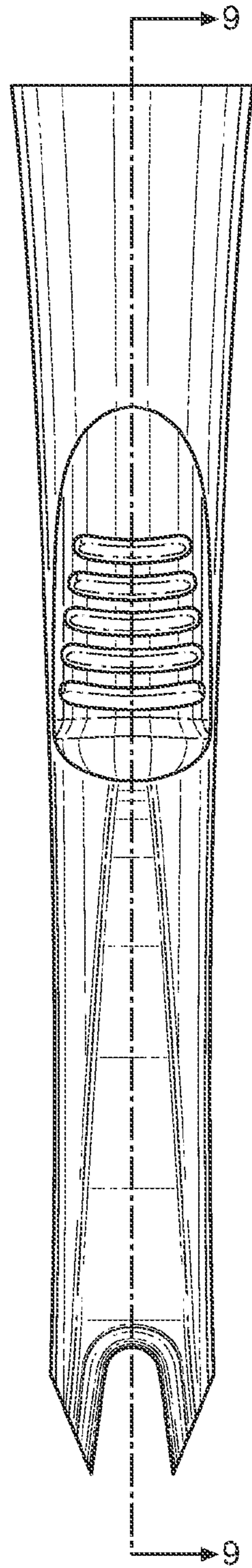


FIG. 8

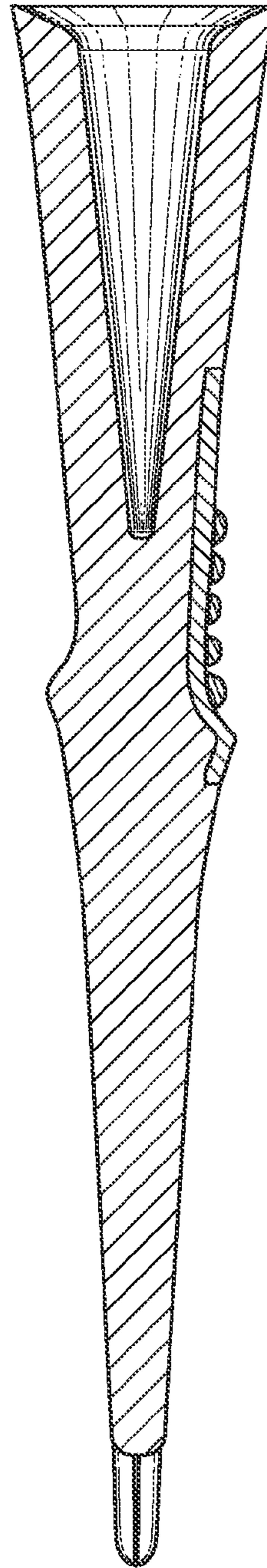


FIG. 9