

US00D656207S

(12) **United States Design Patent**
Mishan et al.

(10) **Patent No.:** **US D656,207 S**
(45) **Date of Patent:** **** Mar. 20, 2012**

(54) **ABDOMINAL EXERCISER WITH
ROTATABLE SEAT**

7,625,323 B1 * 12/2009 Lin 482/112
7,686,750 B2 * 3/2010 Tuller 482/142
7,803,096 B2 * 9/2010 Mehta 482/140
D647,153 S * 10/2011 Mishan et al. D21/687

(75) Inventors: **Edward I. Mishan**, New York, NY
(US); **Steven Mishan**, New York, NY
(US)

* cited by examiner

(73) Assignee: **E. Mishan & Sons, Inc.**, New York, NY
(US)

Primary Examiner — Susan E Krakower

(74) *Attorney, Agent, or Firm* — Notaro, Michalos &
Zaccaria P.C.

(**) Term: **14 Years**

(57) **CLAIM**

The ornamental design for an abdominal exerciser with rotatable seat, as shown and described.

(21) Appl. No.: **29/401,598**

DESCRIPTION

(22) Filed: **Sep. 13, 2011**

Related U.S. Application Data

(62) Division of application No. 29/376,301, filed on Oct. 5, 2010, now Pat. No. Des. 647,153.

(51) **LOC (9) Cl.** **21-02**

(52) **U.S. Cl.** **D21/687**

(58) **Field of Classification Search** D21/662,
D21/686–688, 690; 482/112, 121, 130, 140,
482/142; D24/200, 211, 215

See application file for complete search history.

(56) **References Cited**

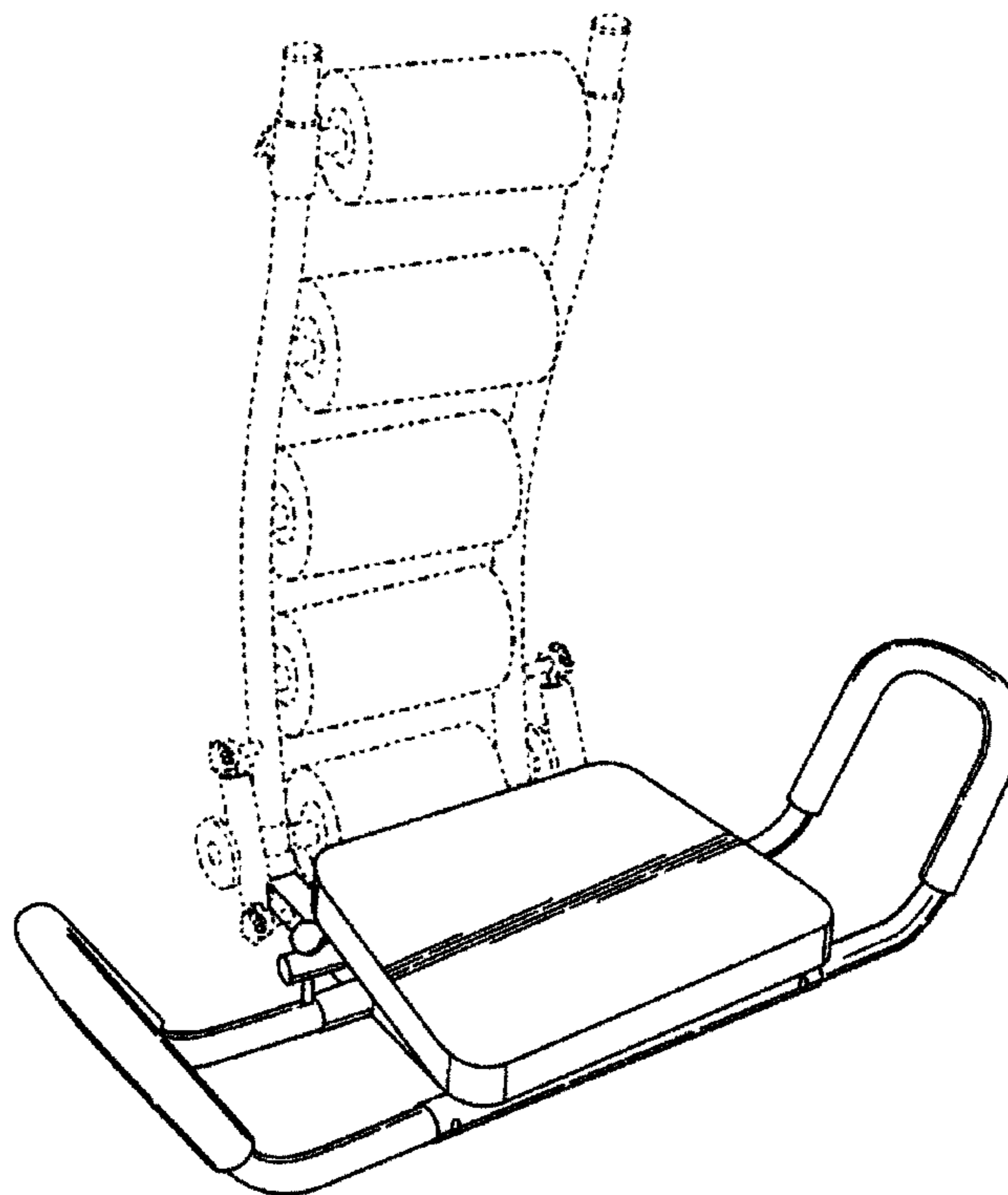
U.S. PATENT DOCUMENTS

7,125,366 B1 * 10/2006 Yeh 482/140
7,381,171 B2 * 6/2008 Chen 482/140
7,438,675 B2 * 10/2008 Lin 482/140
D581,471 S * 11/2008 Mishan et al. D21/687

FIG. 1 is a front, right perspective view of an abdominal exerciser with rotatable seat showing our new design; FIG. 2 is a front, right perspective view thereof, shown from a higher angle; FIG. 3 is a front, right perspective view thereof, shown with the seat in a rotated position; FIG. 4 is a rear, left perspective view thereof; FIG. 5 is a front perspective view thereof; FIG. 6 is a right side perspective view thereof; FIG. 7 is a left side perspective view thereof; FIG. 8 is a rear perspective view thereof; FIG. 9 is a top plan view thereof; and, FIG. 10 is a front, right perspective view thereof, shown with the seat in a further rotated position.

The broken lines illustrate portions of the abdominal exerciser with rotatable seat which form no part of the claimed design.

1 Claim, 10 Drawing Sheets



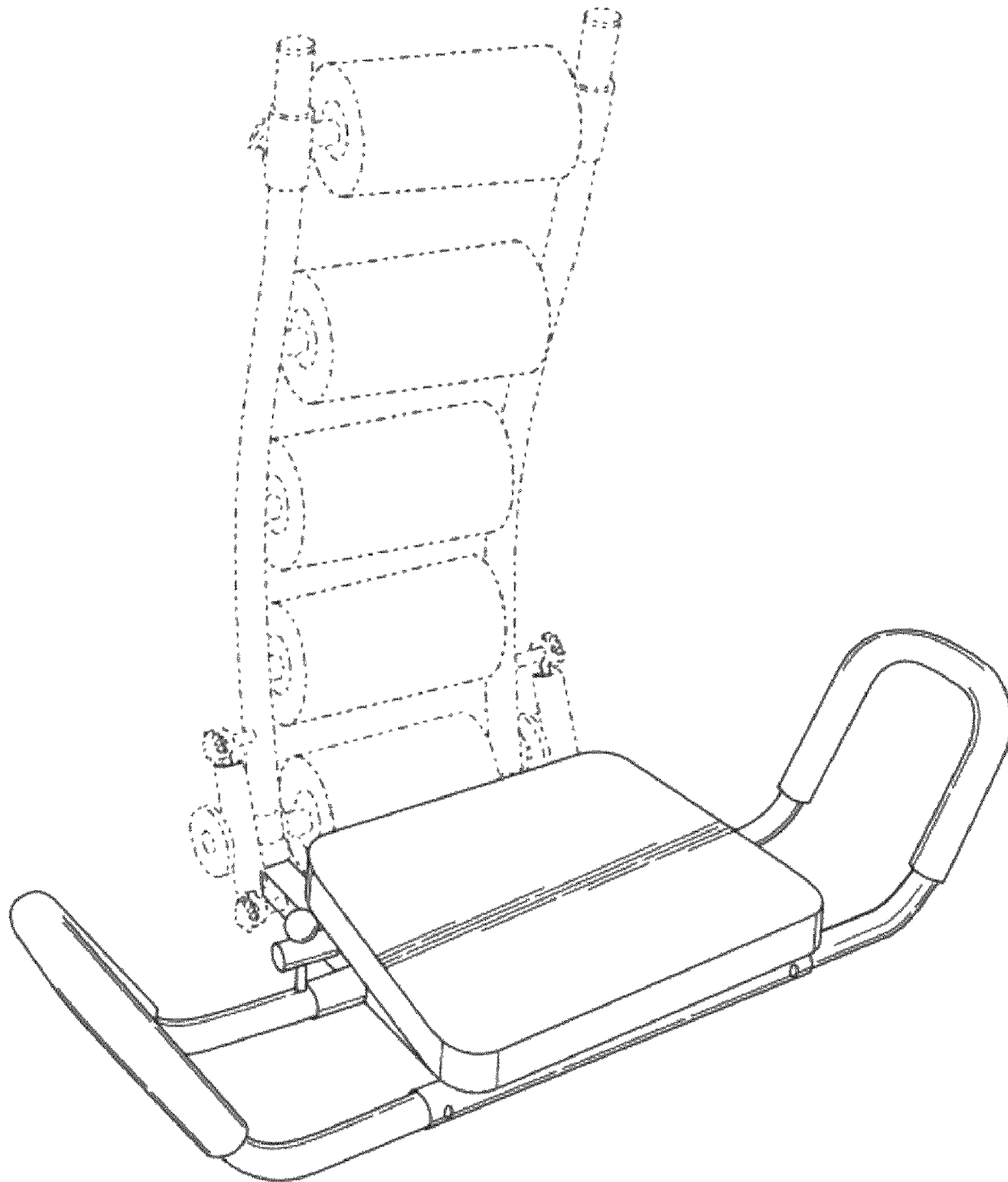


FIG. 1

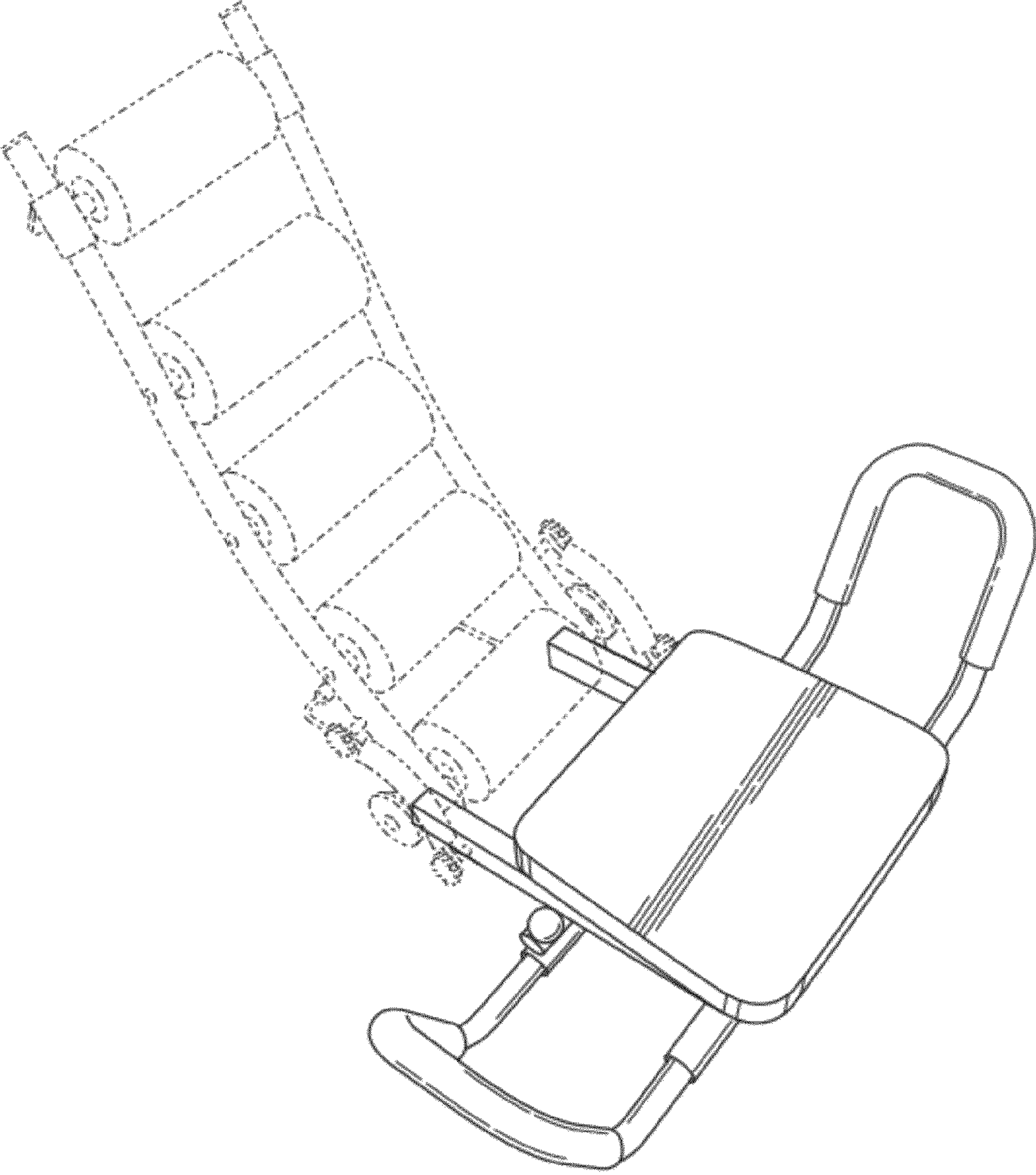


FIG. 2

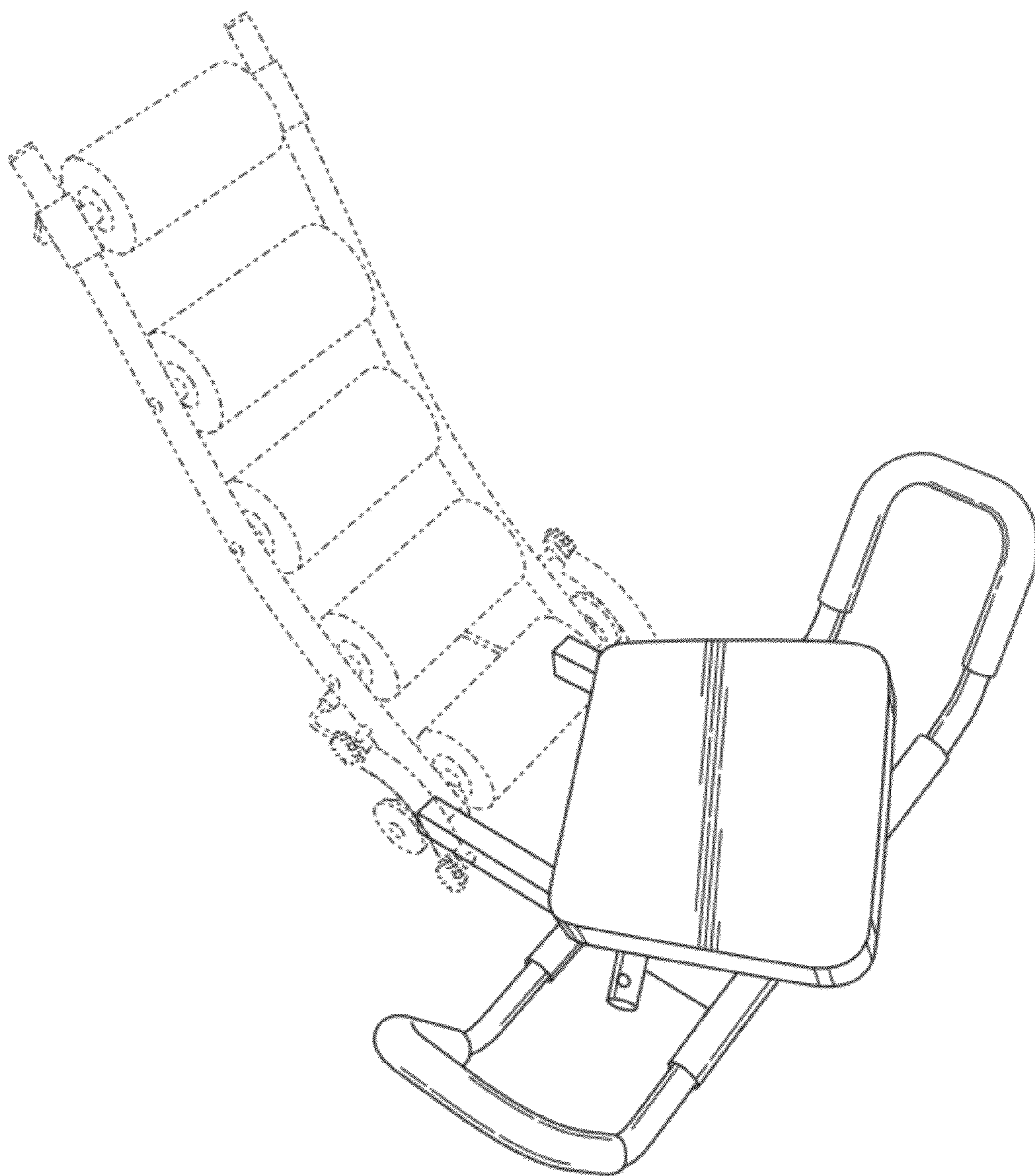


FIG. 3

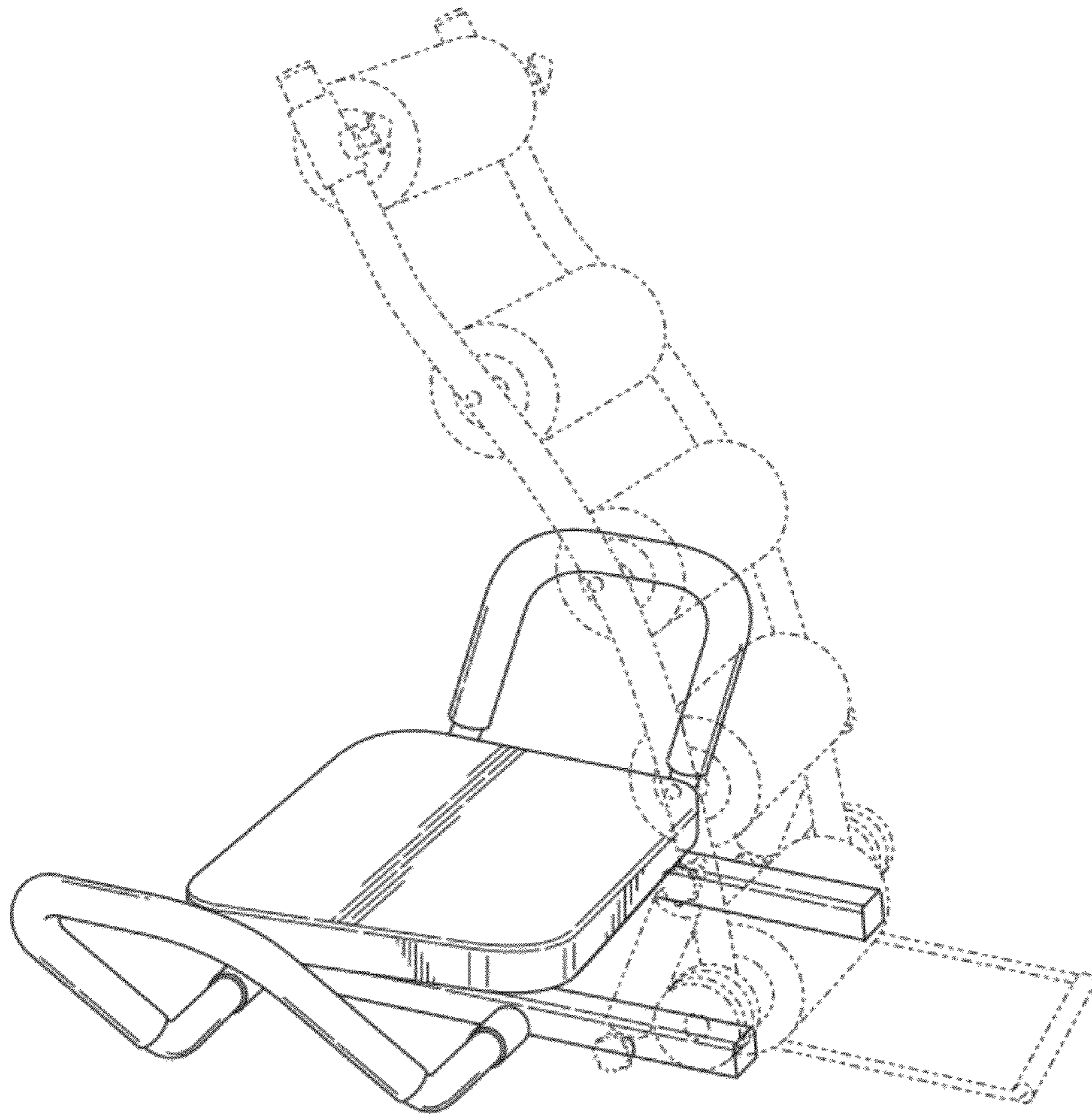


FIG. 4

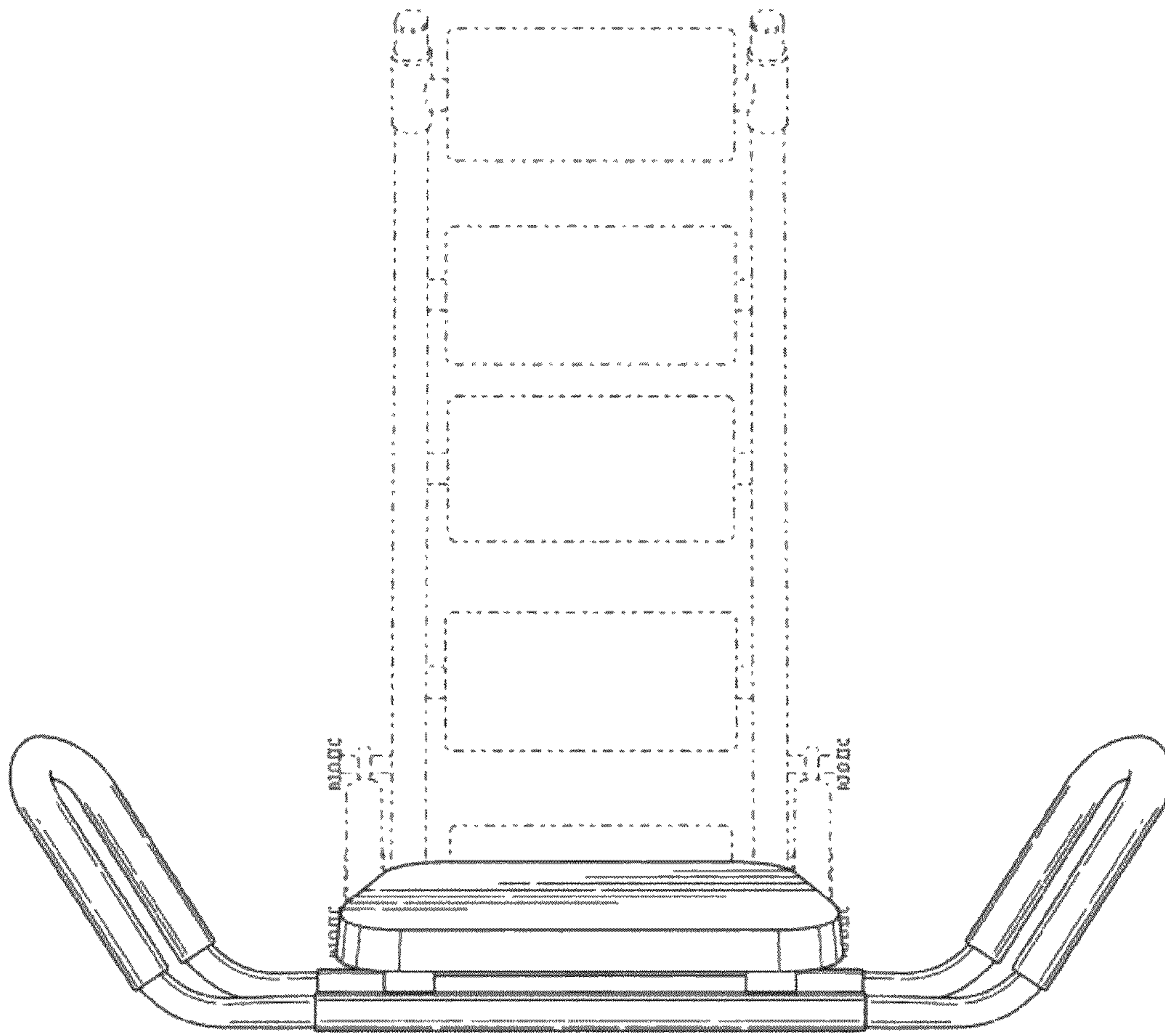


FIG. 5

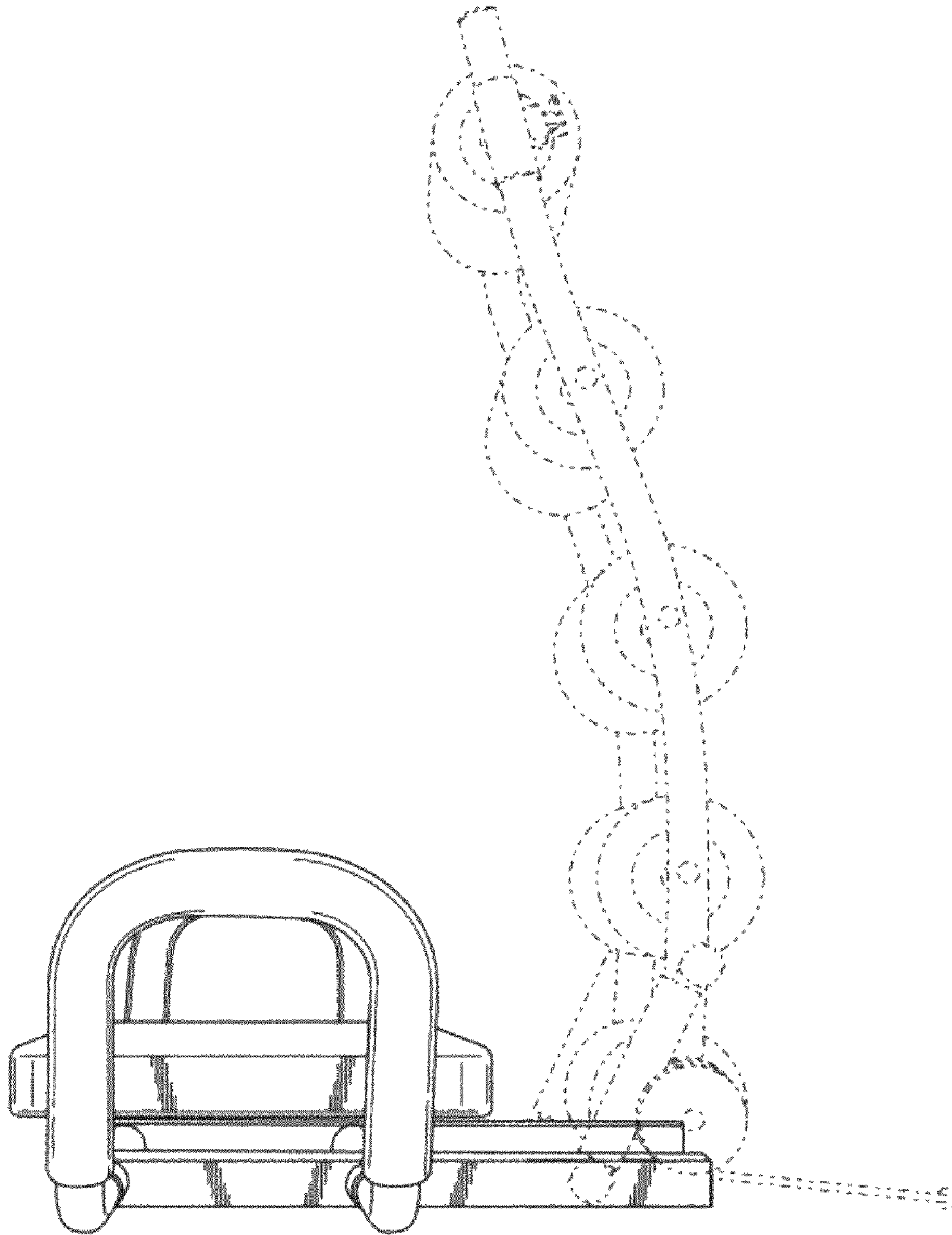


FIG. 7

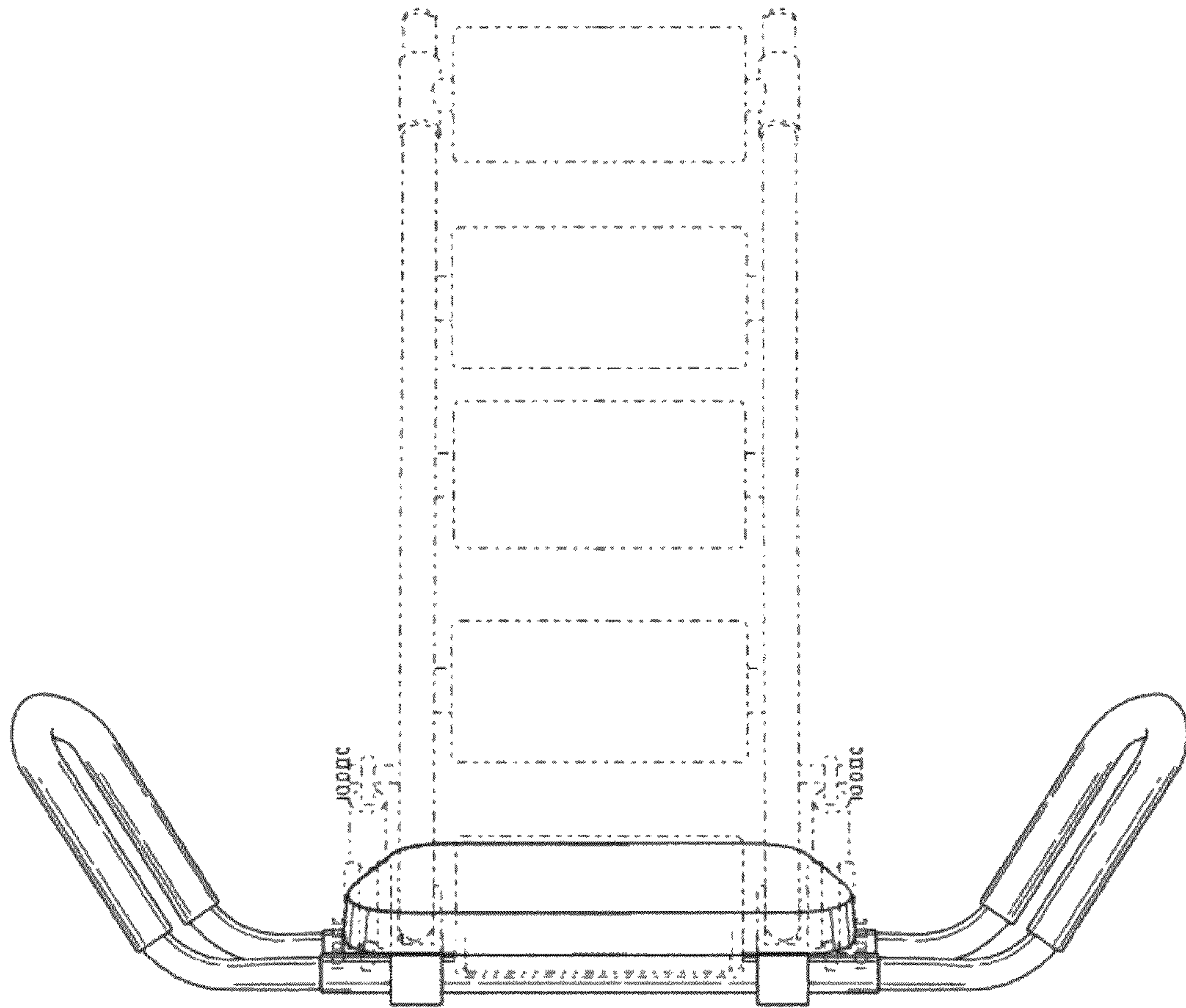


FIG. 8

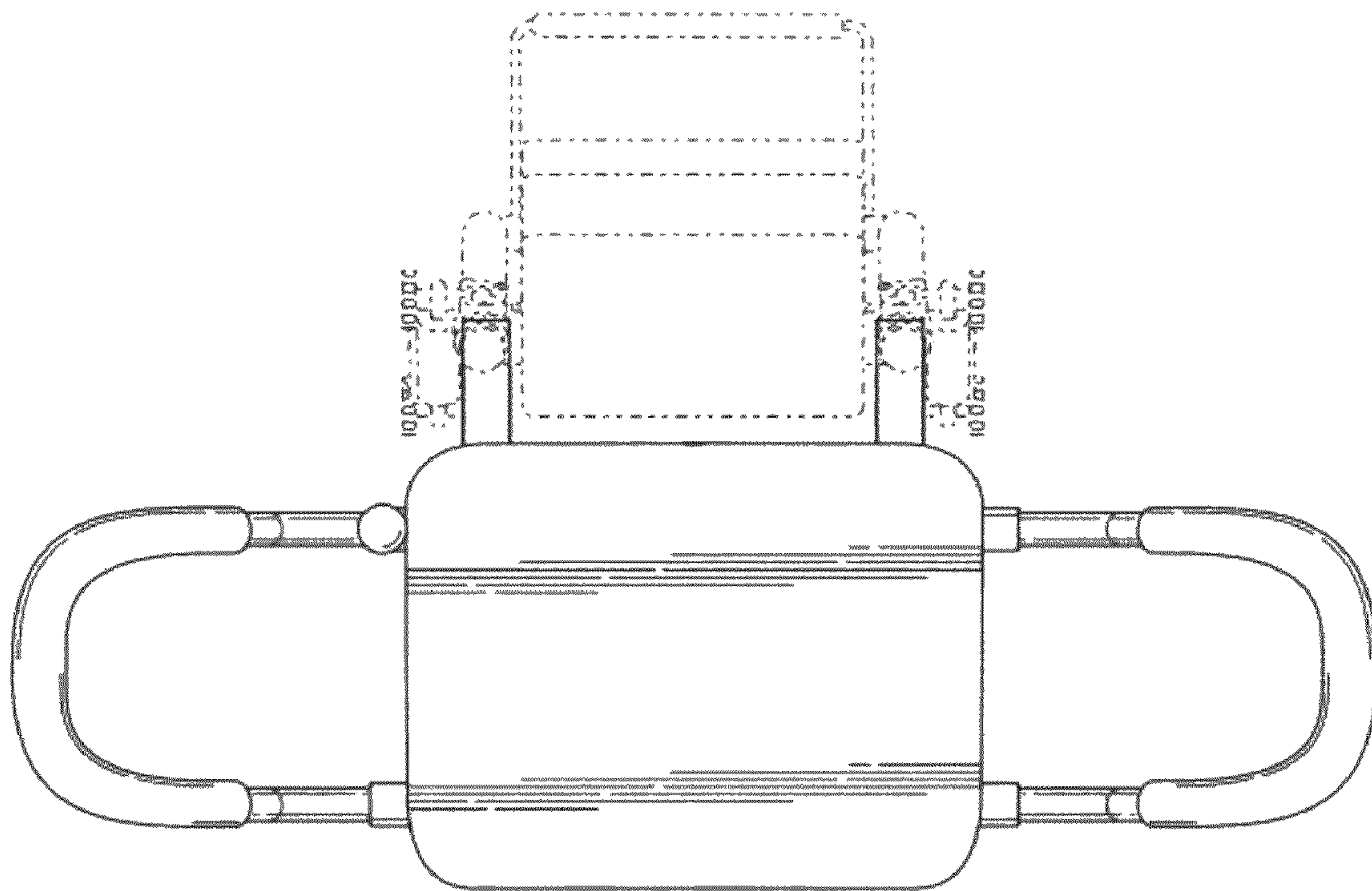


FIG. 9

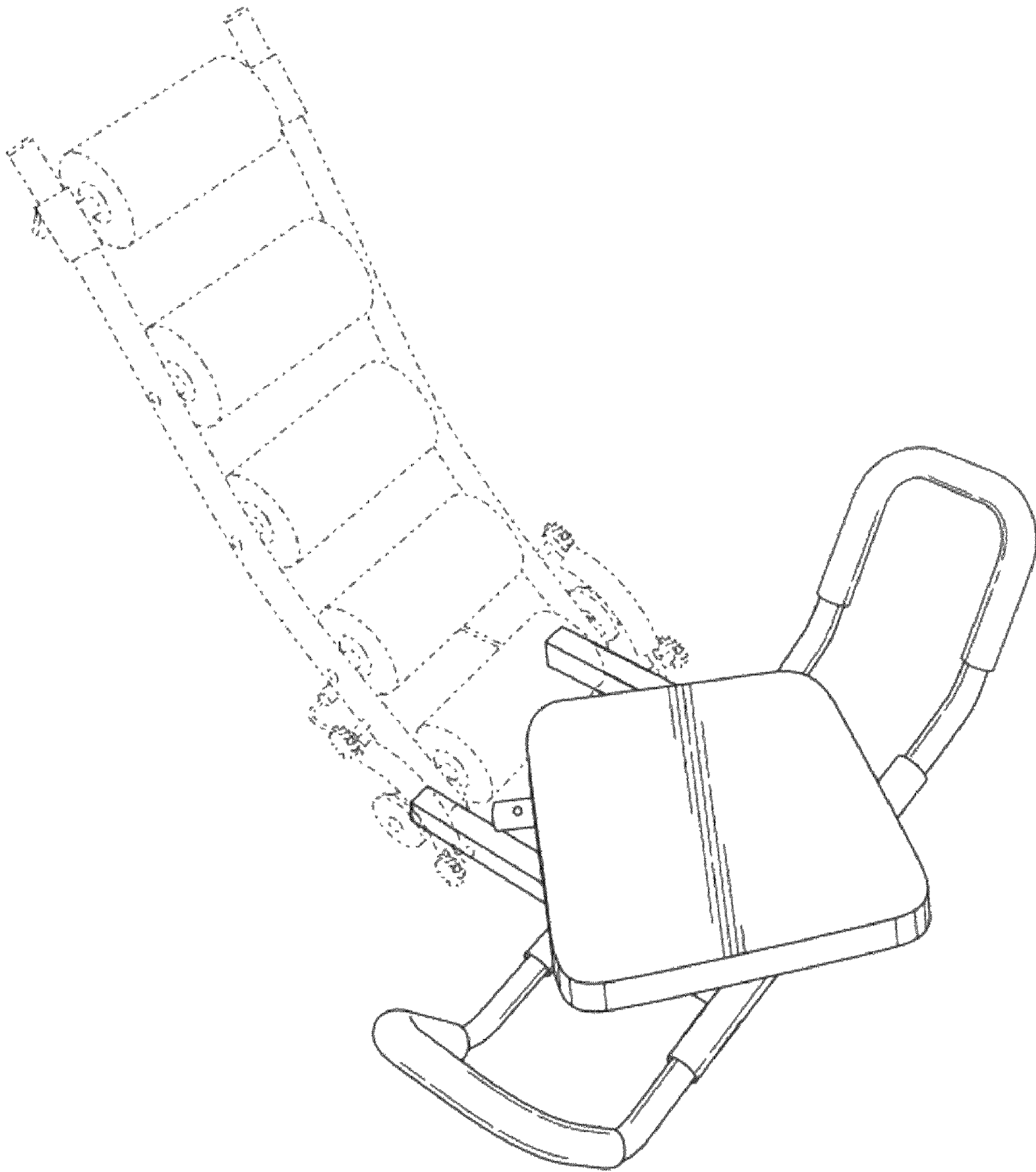


FIG. 10