



US00D656201S

(12) **United States Design Patent**
Perrin

(10) **Patent No.:** **US D656,201 S**
(45) **Date of Patent:** **** Mar. 20, 2012**

(54) **GAME PLAYING APPARATUS**
(75) Inventor: **Steven Perrin**, Essex (GB)
(73) Assignee: **Seven Towns Limited**, London (GB)

4,541,633 A * 9/1985 Newbill 273/238
4,801,148 A * 1/1989 Lamb 273/255
D467,980 S * 12/2002 Creech D21/335
D538,354 S * 3/2007 Harman D21/344
D605,706 S * 12/2009 DeOreo et al. D21/335

* cited by examiner

(**) Term: **14 Years**

Primary Examiner — Sandra Morris

(21) Appl. No.: **29/382,847**

(74) *Attorney, Agent, or Firm* — Barkume & Associates, P.C.

(22) Filed: **Jan. 7, 2011**

(57) **CLAIM**

The ornamental design for a game playing apparatus, as shown and described.

(30) **Foreign Application Priority Data**

Jul. 9, 2010 (EM) 001729948-0001

DESCRIPTION

(51) **LOC (9) Cl.** **21-01**

(52) **U.S. Cl.** **D21/335**

(58) **Field of Classification Search** D21/334-369;
273/236-288

See application file for complete search history.

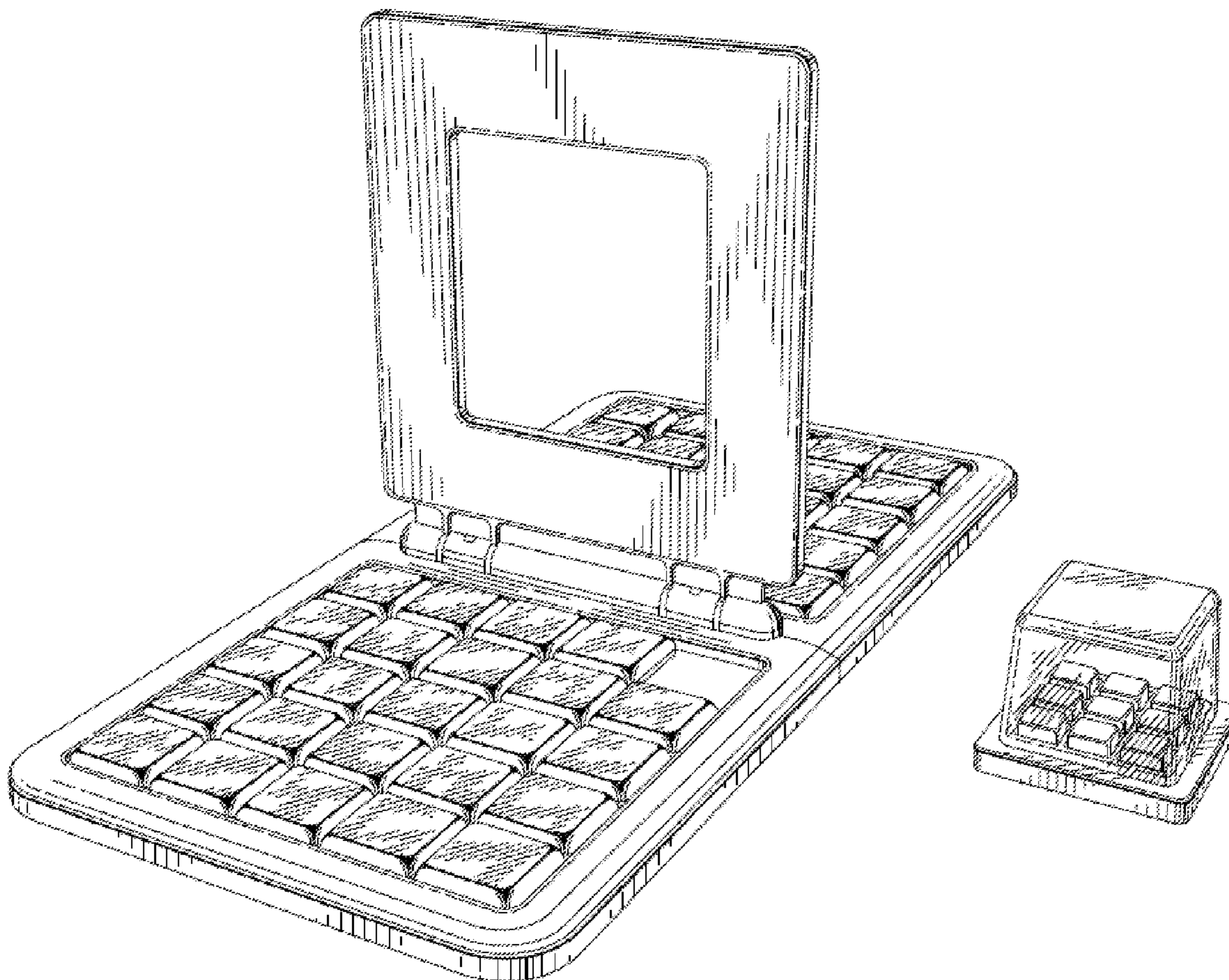
FIG. 1 is a perspective view of a game playing apparatus showing my new design;
FIG. 2 is a right view thereof;
FIG. 3 is a left view thereof;
FIG. 4 is a front view thereof;
FIG. 5 is a rear view thereof;
FIG. 6 is a top view thereof; and,
FIG. 7 is a bottom view thereof.

(56) **References Cited**

U.S. PATENT DOCUMENTS

4,280,704 A * 7/1981 Massimei et al. 273/258
4,327,919 A * 5/1982 Vennor 273/236

1 Claim, 7 Drawing Sheets



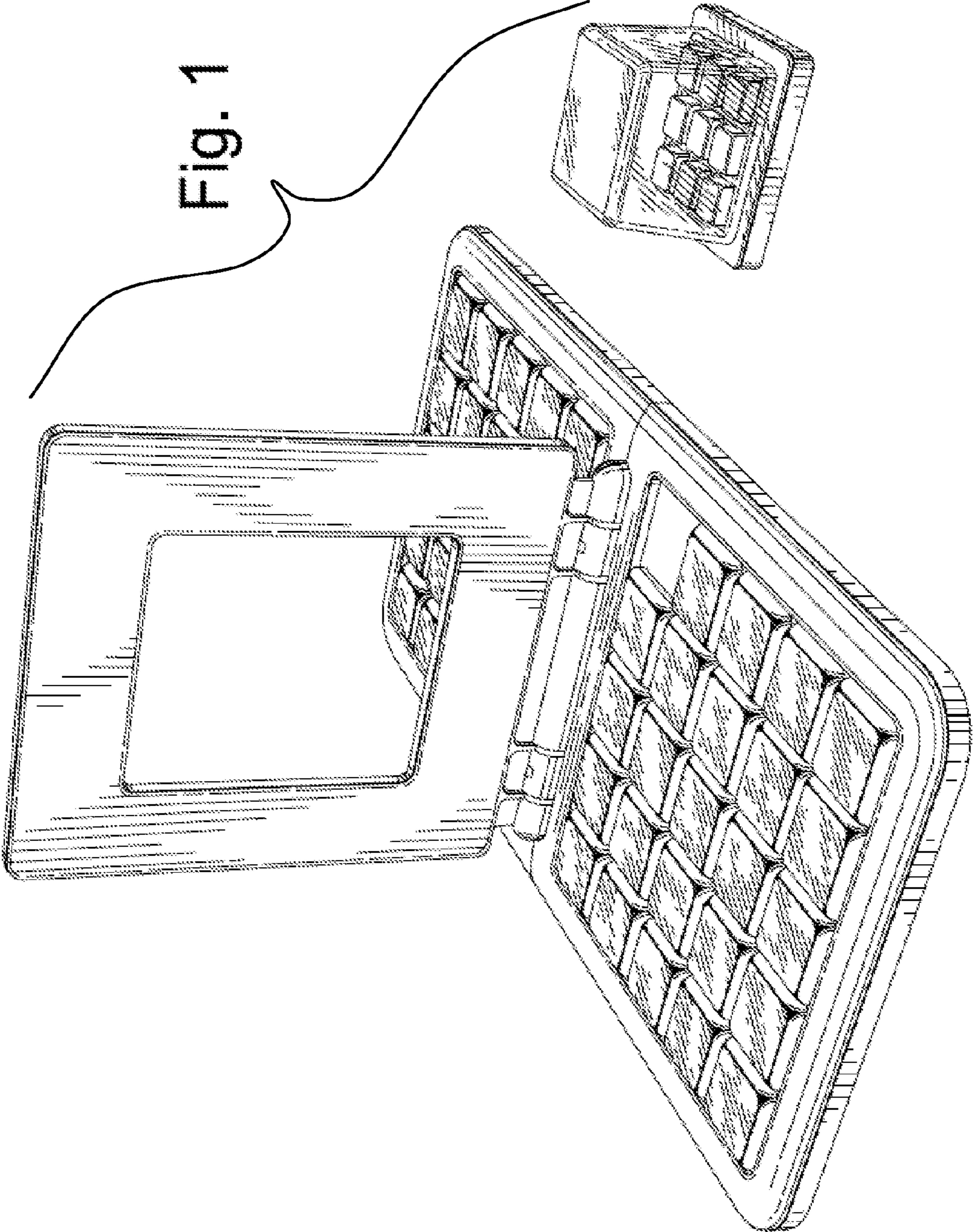


Fig. 1

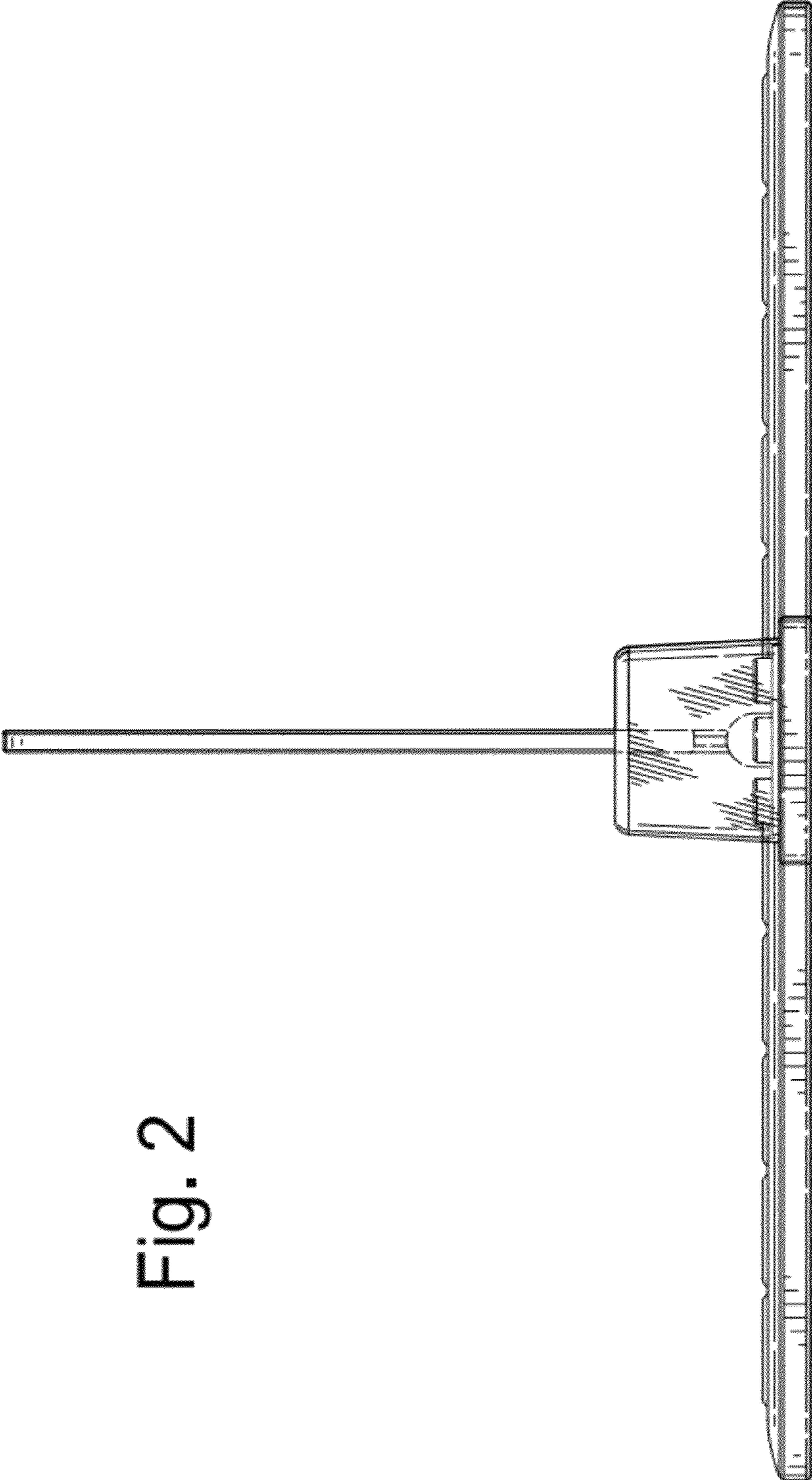


Fig. 2

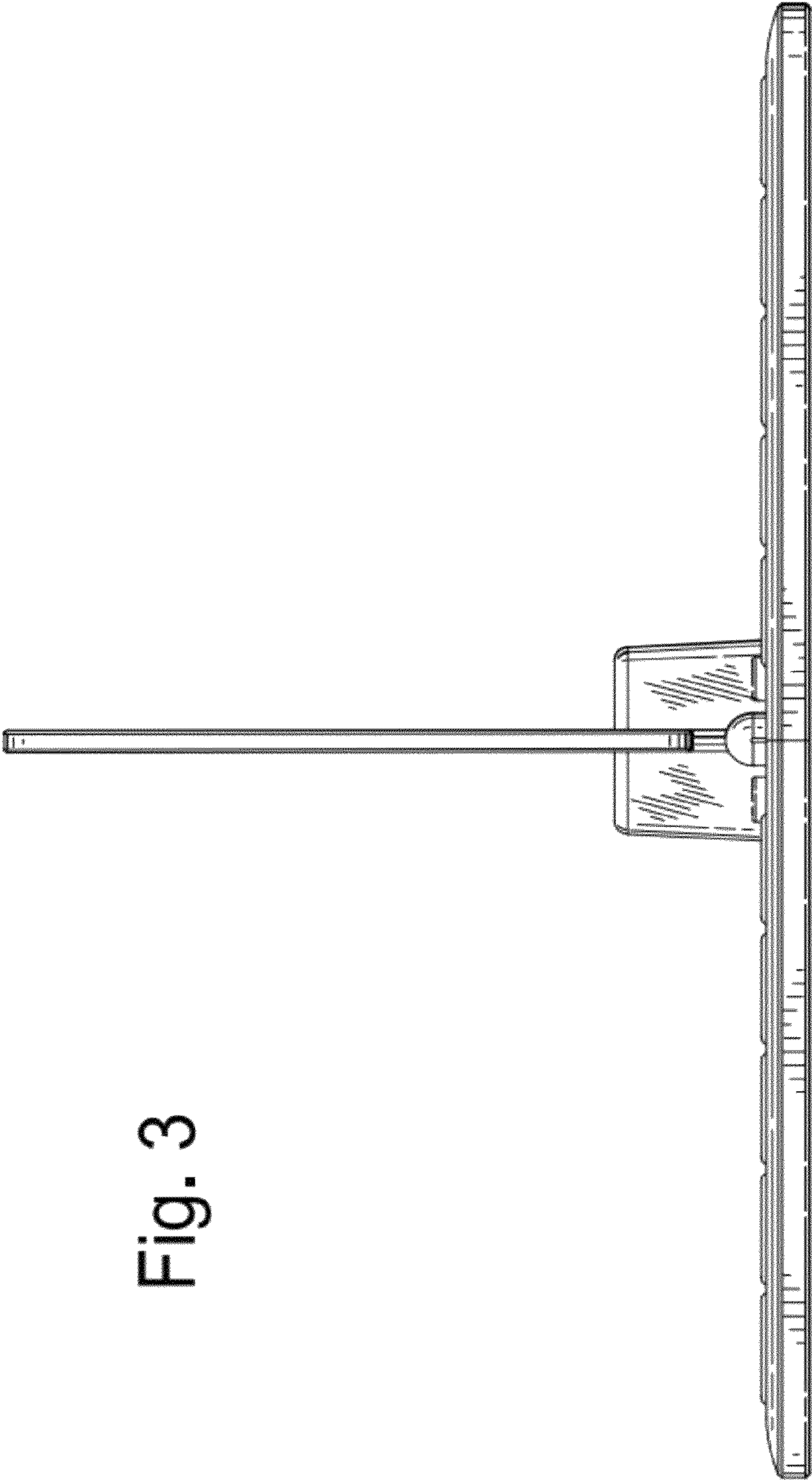


Fig. 3

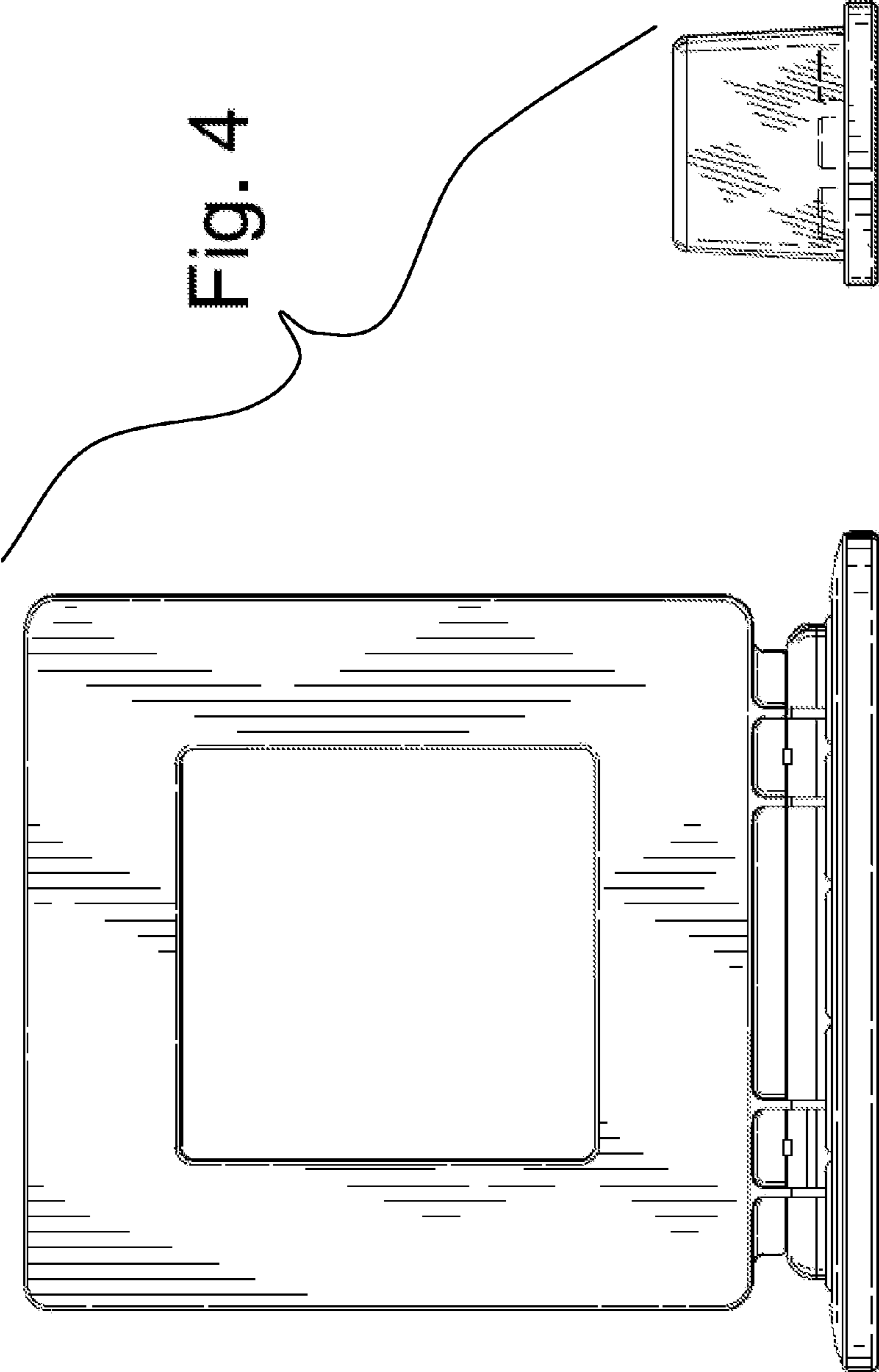


Fig. 4

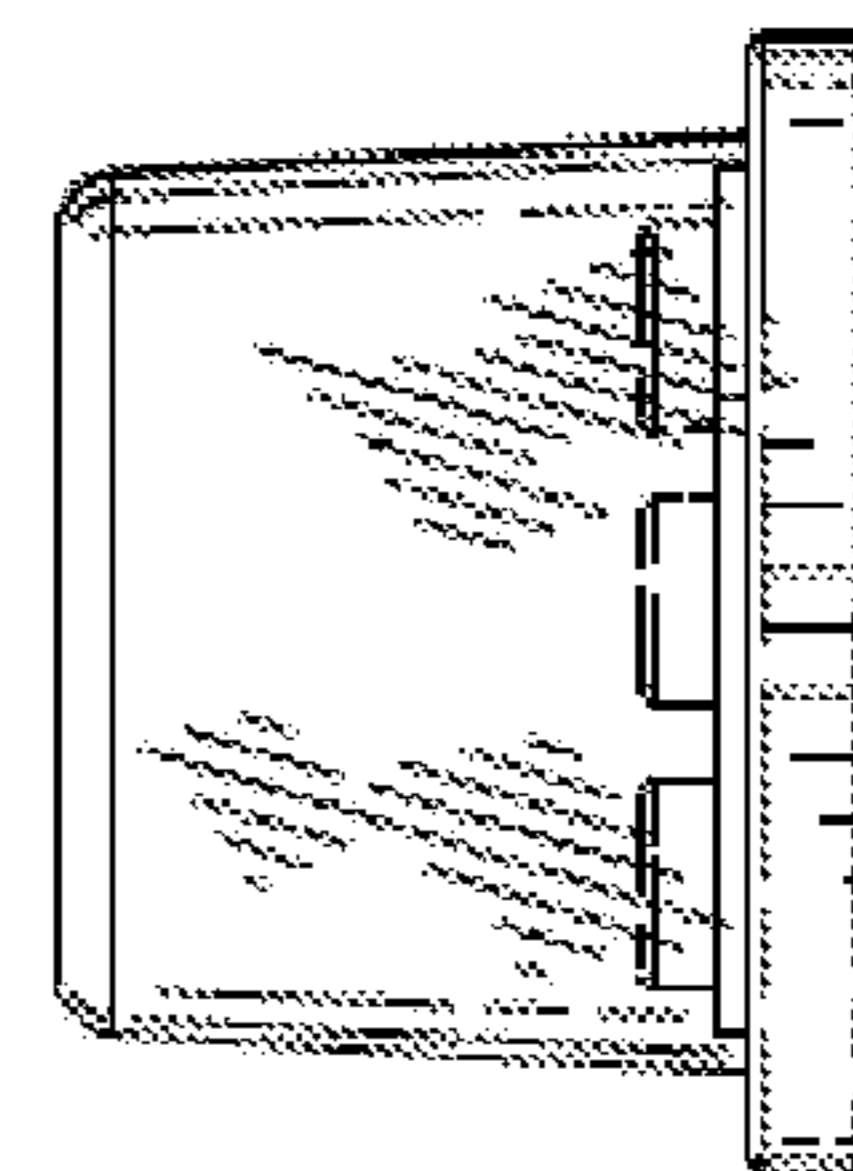
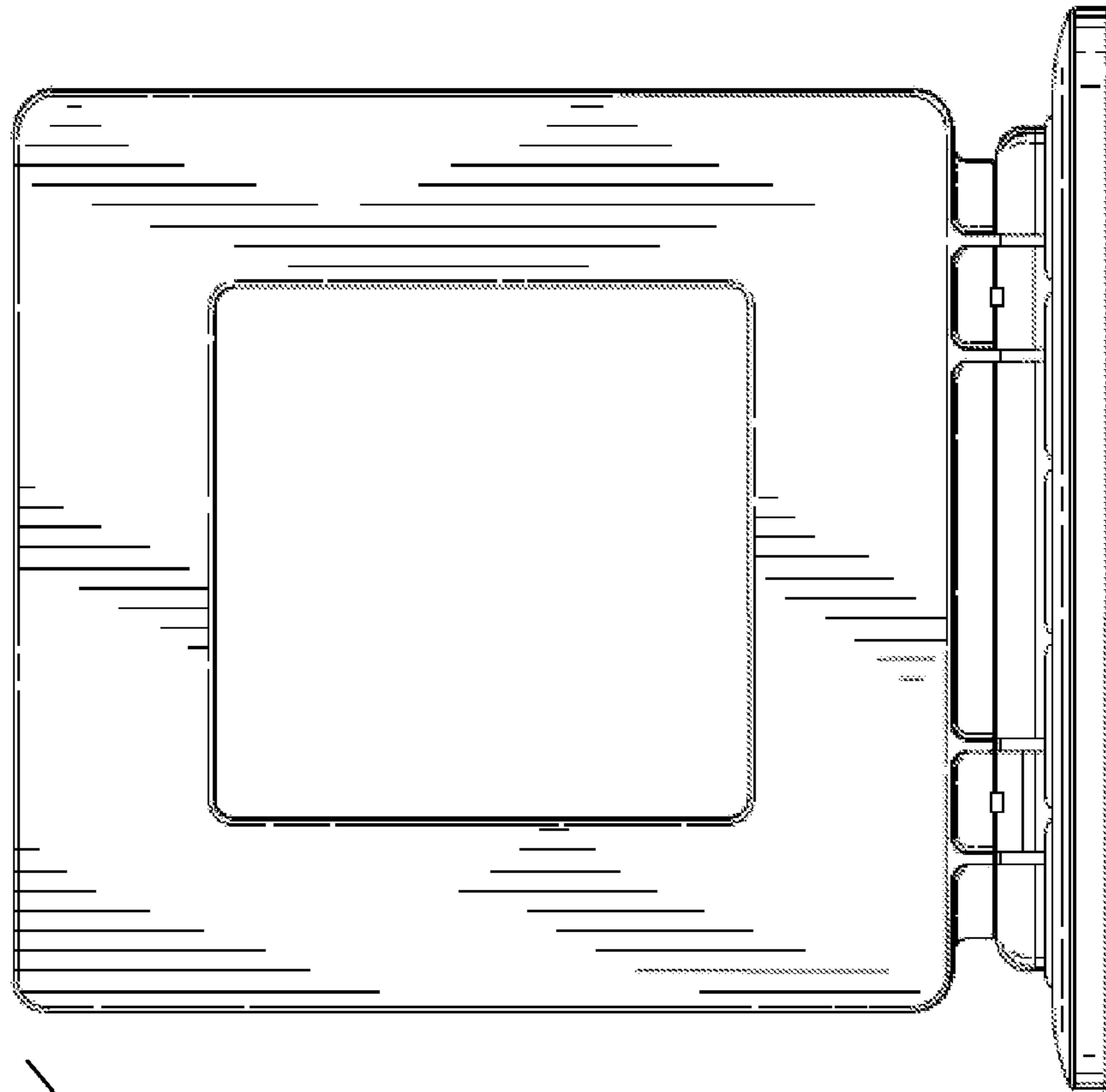


Fig. 5

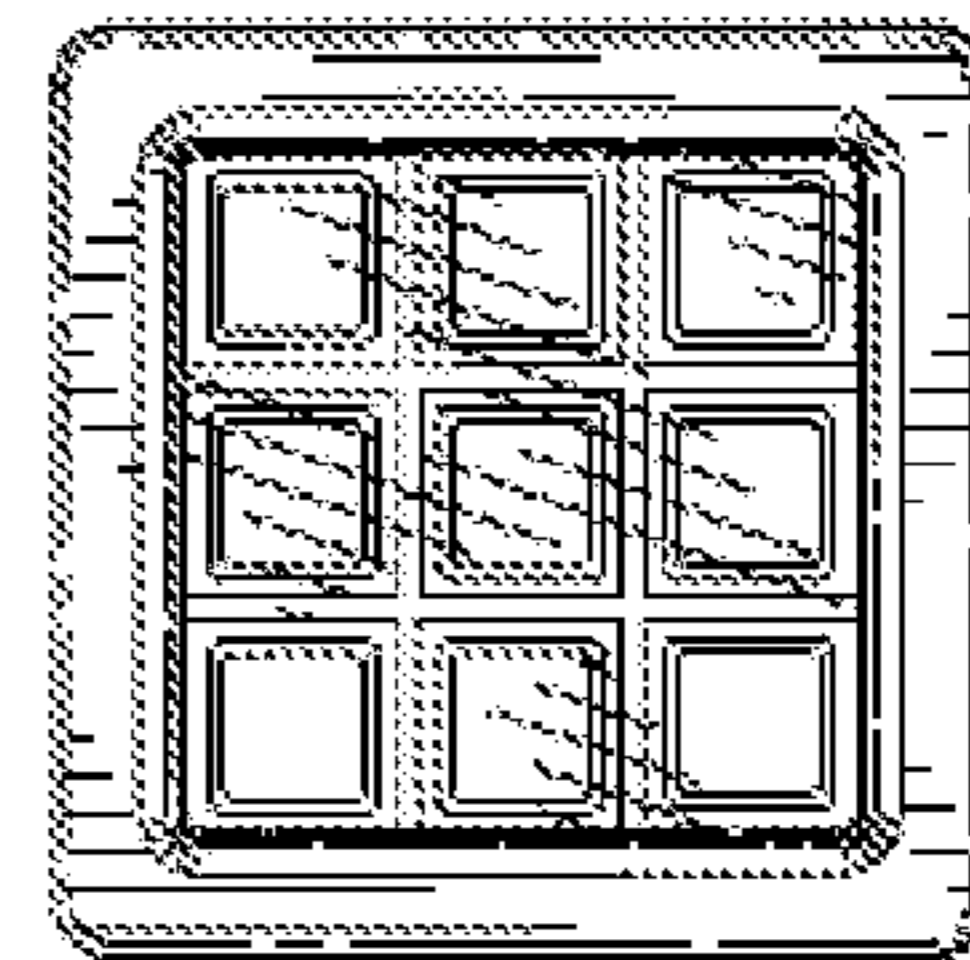
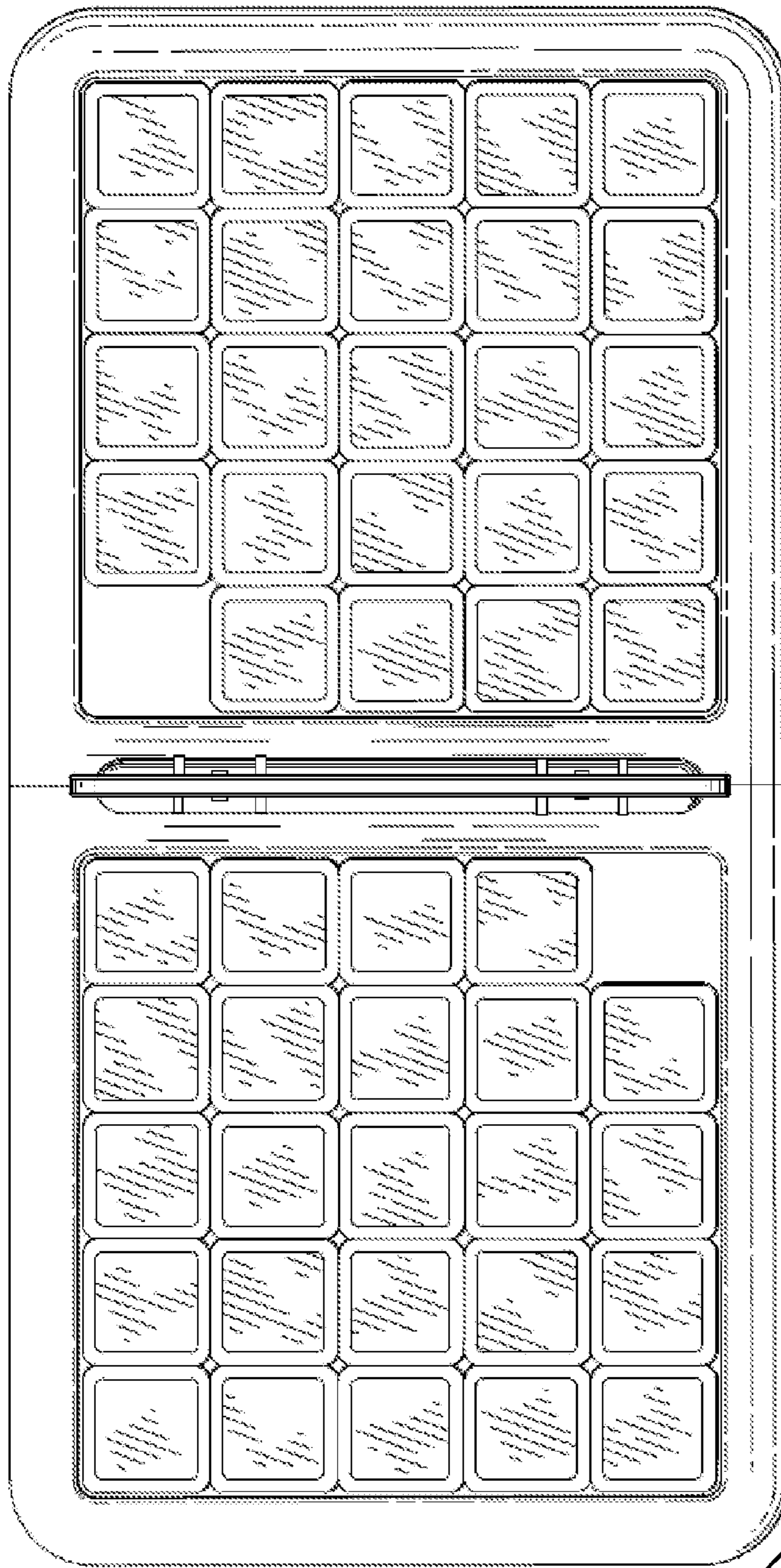


Fig. 6

