



US00D656196S

(12) **United States Design Patent**  
**Gross et al.**

(10) **Patent No.:** **US D656,196 S**  
(45) **Date of Patent:** **\*\* Mar. 20, 2012**

(54) **BED DISPLAY**

(75) Inventors: **Andrew Gross**, Wilmette, IL (US);  
**Brett A. Woodley**, Wilmette, IL (US);  
**Jerry Barone**, Chicago, IL (US);  
**Matthew R. Whitmer**, Algonquin, IL  
(US); **Robin Brower**, Elmhurst, IL (US)

(73) Assignee: **Serta, Inc.**, Hoffman Estates, IL (US)

(\*\*) Term: **14 Years**

(21) Appl. No.: **29/406,429**

(22) Filed: **Nov. 14, 2011**

**Related U.S. Application Data**

(62) Division of application No. 29/383,791, filed on Jan. 21, 2011, now Pat. No. Des. 651,250.

(51) **LOC (9) Cl.** ..... **20-02**

(52) **U.S. Cl.** ..... **D20/10**

(58) **Field of Classification Search** ..... D20/10,  
D20/13-15, 17-19, 21, 29, 39-43, 99; 40/1,  
40/446, 452, 538, 541, 542, 545-548, 563,  
40/564, 568, 570-574, 582, 584, 594, 600,  
40/603-605, 615, 617, 618, 624; D6/300;  
362/812

See application file for complete search history.

(56) **References Cited**

**U.S. PATENT DOCUMENTS**

D116,680 S 9/1939 Joyce et al.  
D116,689 S 9/1939 Joyce et al.

D116,693 S 9/1939 Joyce et al.  
D116,694 S 9/1939 Joyce et al.  
D118,398 S 1/1940 Wheary  
D144,886 S 6/1946 Bair  
D415,205 S \* 10/1999 Canton Gongora et al. ... D20/10  
D443,308 S \* 6/2001 Kovell ..... D20/10  
D455,273 S 4/2002 Harwanko  
D562,407 S 2/2008 Graziani  
D651,250 S \* 12/2011 Gross et al. .... D20/10  
2011/0005111 A1 1/2011 Erskine

\* cited by examiner

*Primary Examiner* — Mary Ann Calabrese

(74) *Attorney, Agent, or Firm* — May M. Mowzoon; Quarles & Brady LLP

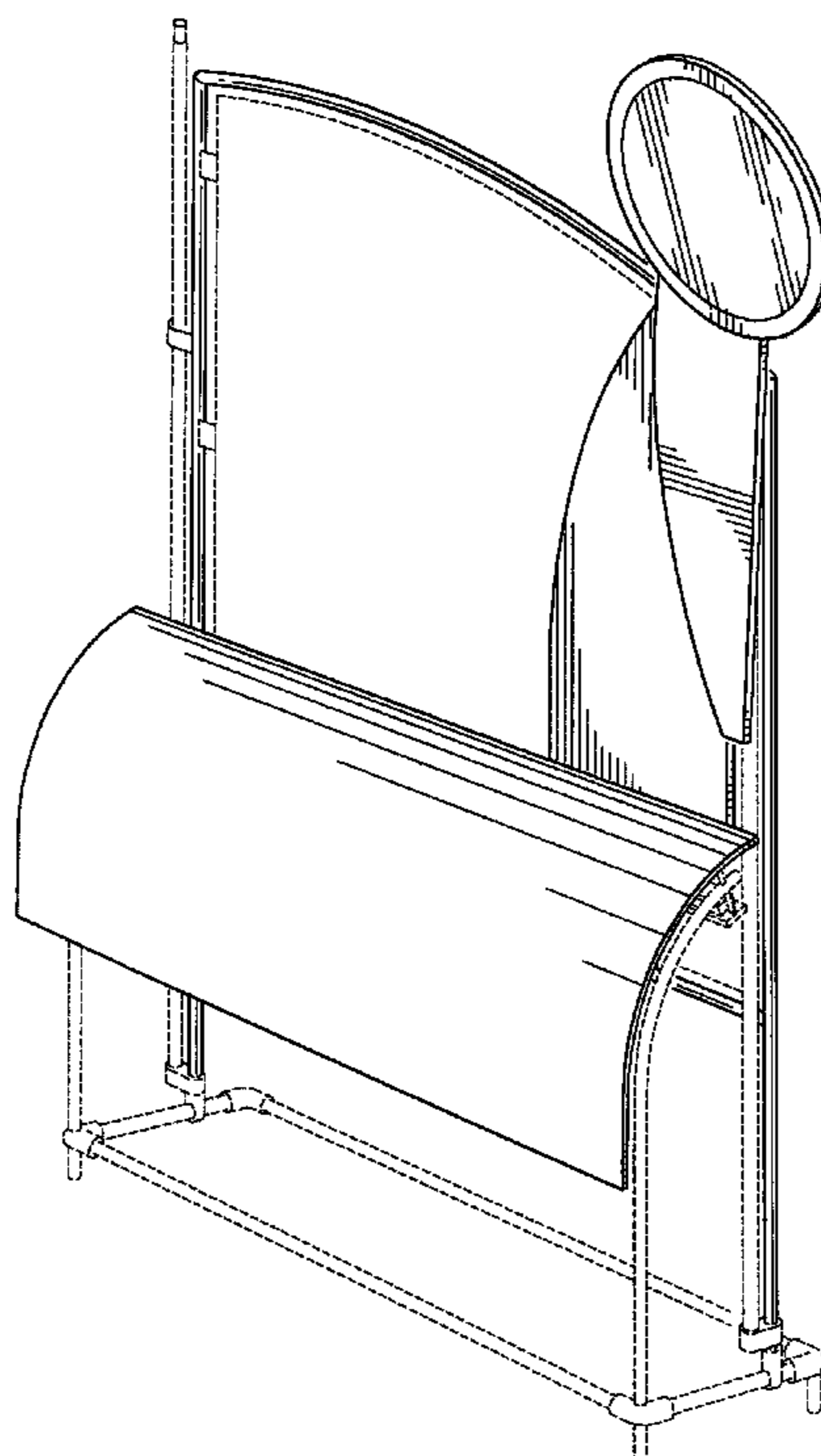
(57) **CLAIM**

The ornamental design for a bed display, as shown and described.

**DESCRIPTION**

FIG. 1 is a front, top perspective view of a first embodiment of a bed display showing our new design;  
FIG. 2 is a front view thereof;  
FIG. 3 is a right, side view thereof;  
FIG. 4 is a left, side view thereof;  
FIG. 5 is a top view thereof; and,  
FIG. 6 is second embodiment of FIG. 1, shown in a front, top perspective view, the only difference being a mattress and corresponding mattress foundation are in dashed lines.  
The broken lines are environmental and form no part of the claimed design.

**1 Claim, 5 Drawing Sheets**



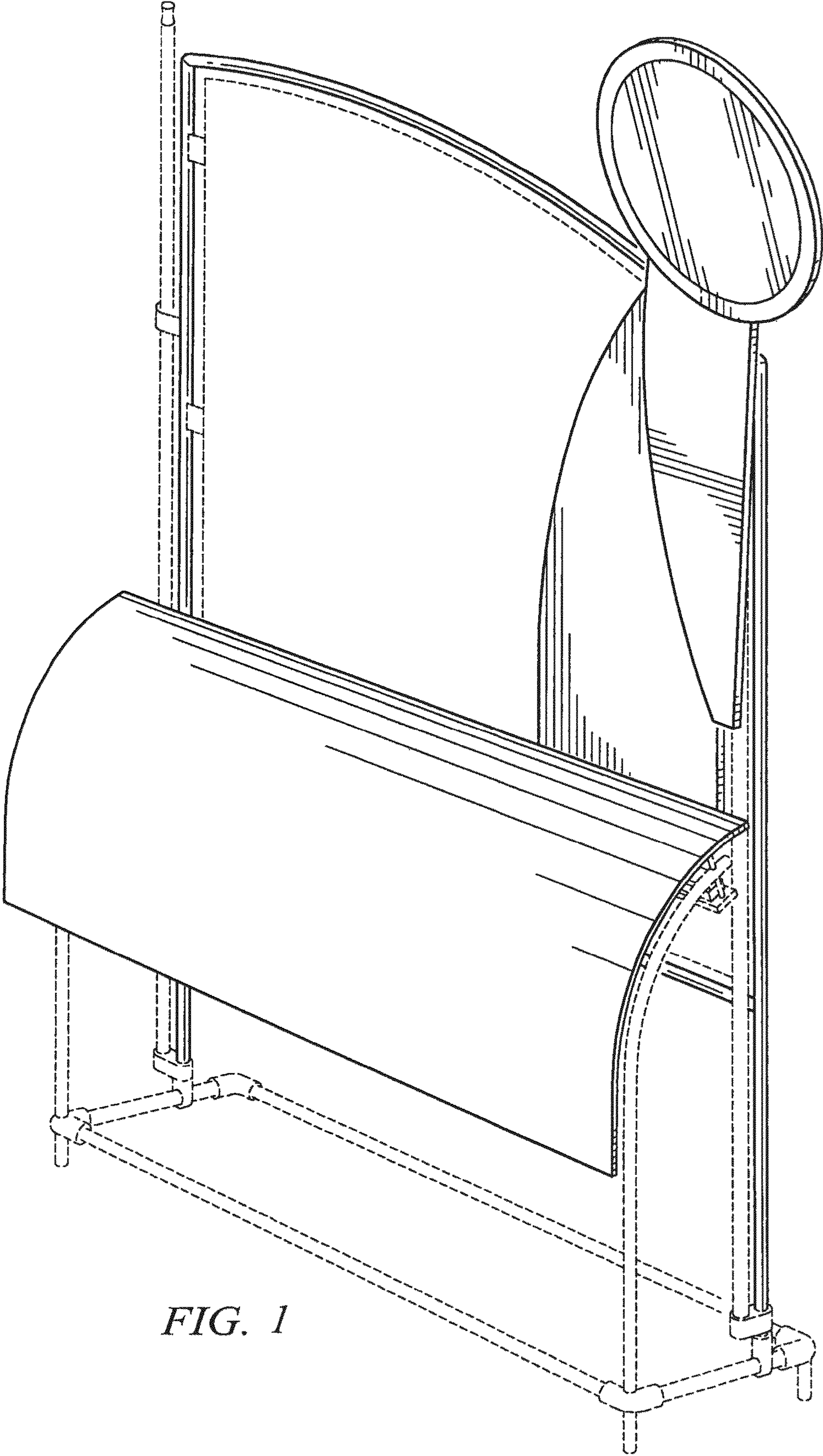


FIG. 1

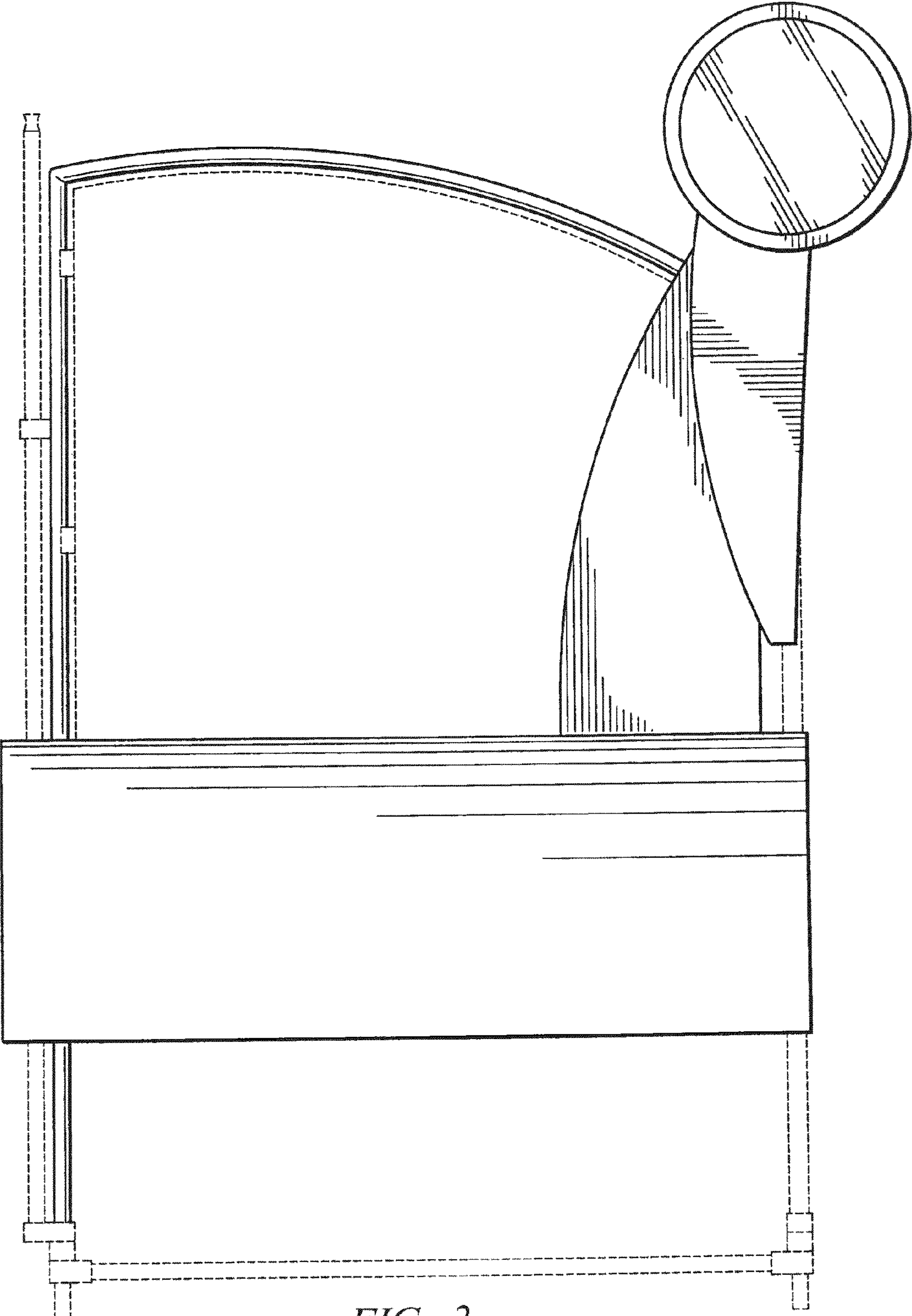
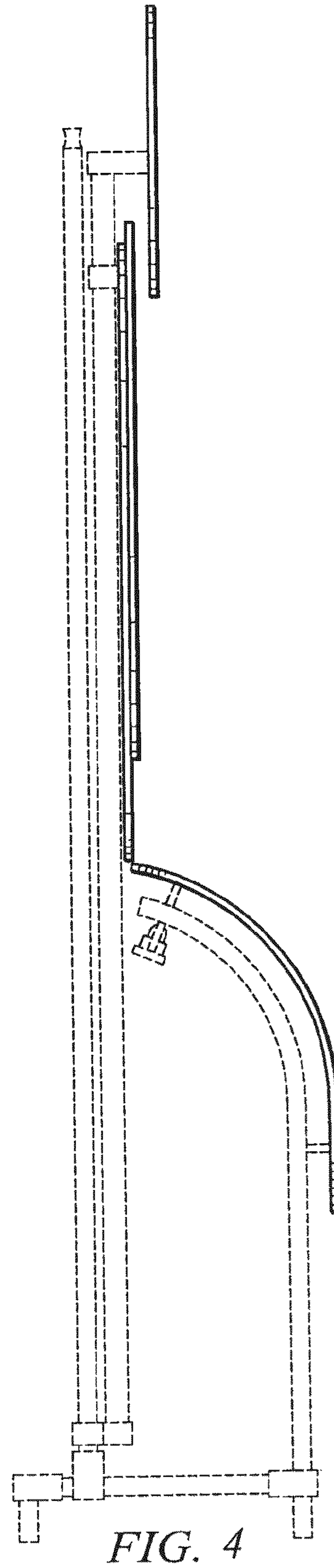
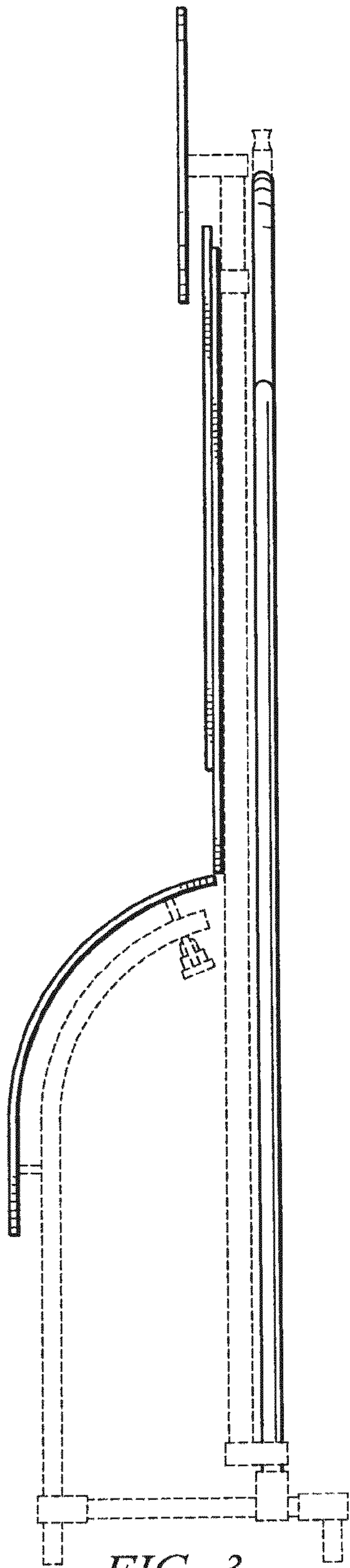


FIG. 2



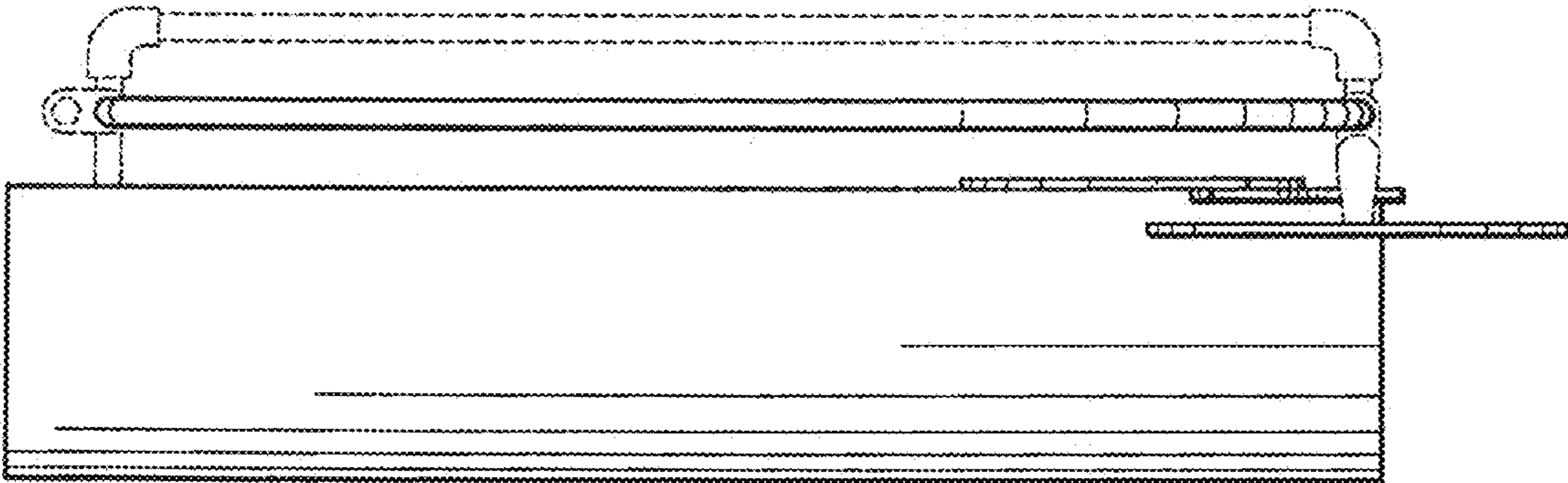


FIG. 5

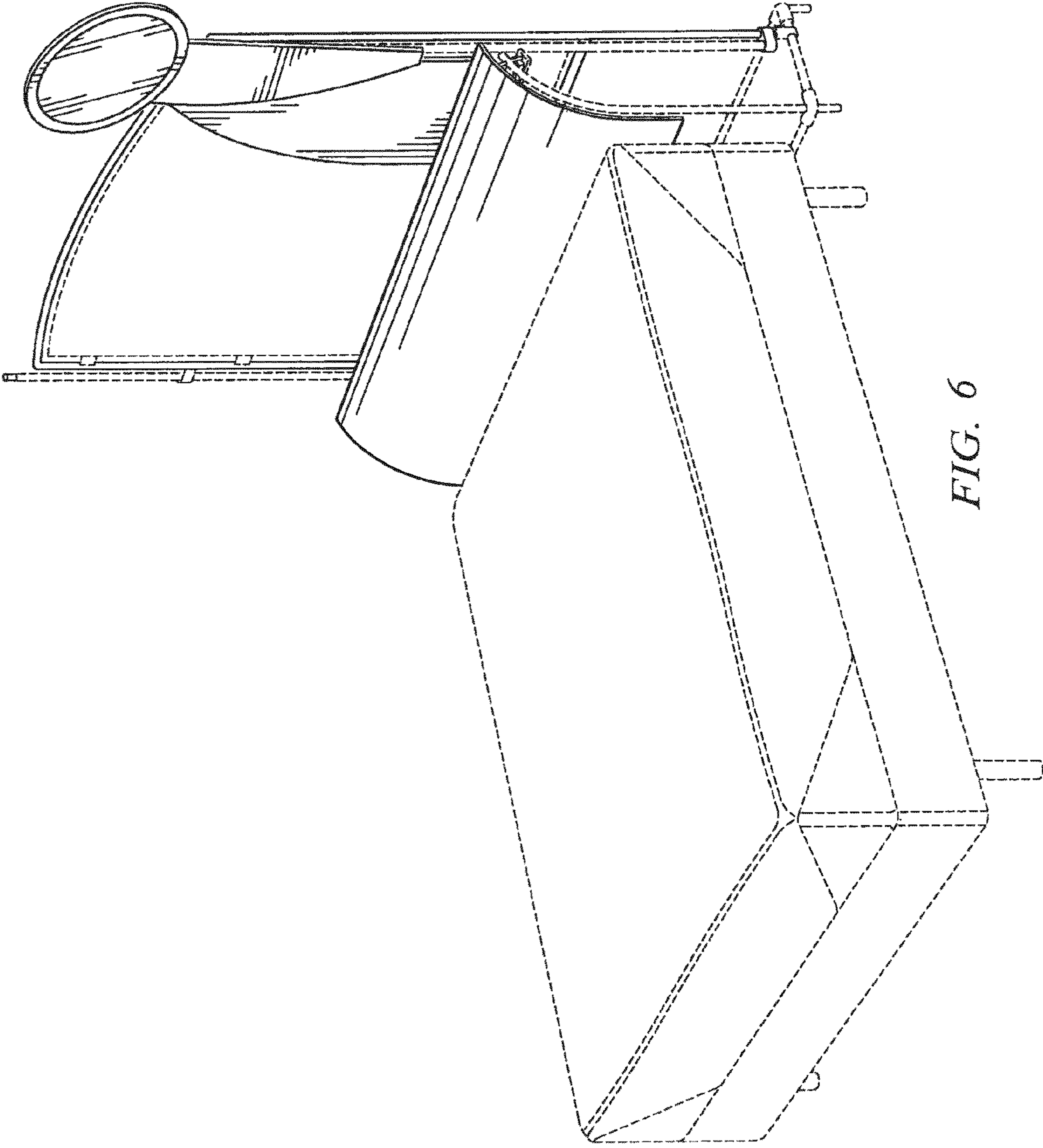


FIG. 6