



US00D656195S

(12) **United States Design Patent**
Renard

(10) **Patent No.:** **US D656,195 S**
(45) **Date of Patent:** **** Mar. 20, 2012**

(54) **TAXI TOP ADVERTISEMENT DISPLAY**

(75) Inventor: **Bruce Wayne Renard**, Jacksonville, FL
(US)

(73) Assignee: **7Sun Media, LLC**, Jacksonville, FL
(US)

(**) Term: **14 Years**

(21) Appl. No.: **29/398,819**

(22) Filed: **Aug. 4, 2011**

(51) **LOC (9) Cl.** **20-03**

(52) **U.S. Cl.** **D20/10**

(58) **Field of Classification Search** D20/10,
D20/19, 29-33, 35, 36, 40, 42, 99; 40/441,
40/446, 538, 559, 564, 584, 571-573, 591,
40/592, 594, 606, 616, 617, 629; D10/109.1,
D10/109.2, 113.4; D26/31; 340/434; 362/235,
362/493, 812

See application file for complete search history.

(56) **References Cited**

U.S. PATENT DOCUMENTS

3,242,329 A * 3/1966 Abrams 362/235
D205,209 S * 7/1966 Priddis D26/31
4,052,806 A * 10/1977 George 40/572

4,856,216 A * 8/1989 Gross 40/559
5,711,100 A * 1/1998 Elmer 40/592
5,754,098 A * 5/1998 Holban 340/434
5,918,397 A * 7/1999 Elmer 40/592
5,950,340 A * 9/1999 Woo 40/564
7,121,700 B1 * 10/2006 Scanlon 362/493
D567,876 S * 4/2008 Au et al. D20/10
D635,614 S * 4/2011 Yan D20/10

* cited by examiner

Primary Examiner — Mary Ann Calabrese

(74) *Attorney, Agent, or Firm* — Sinorica, LLC

(57) **CLAIM**

The ornamental design for a taxi top advertisement display, as shown and described.

DESCRIPTION

FIG. 1 is a perspective view of a taxi top advertisement display;

FIG. 2 is a front elevational view thereof, the rear elevational view being a mirror image;

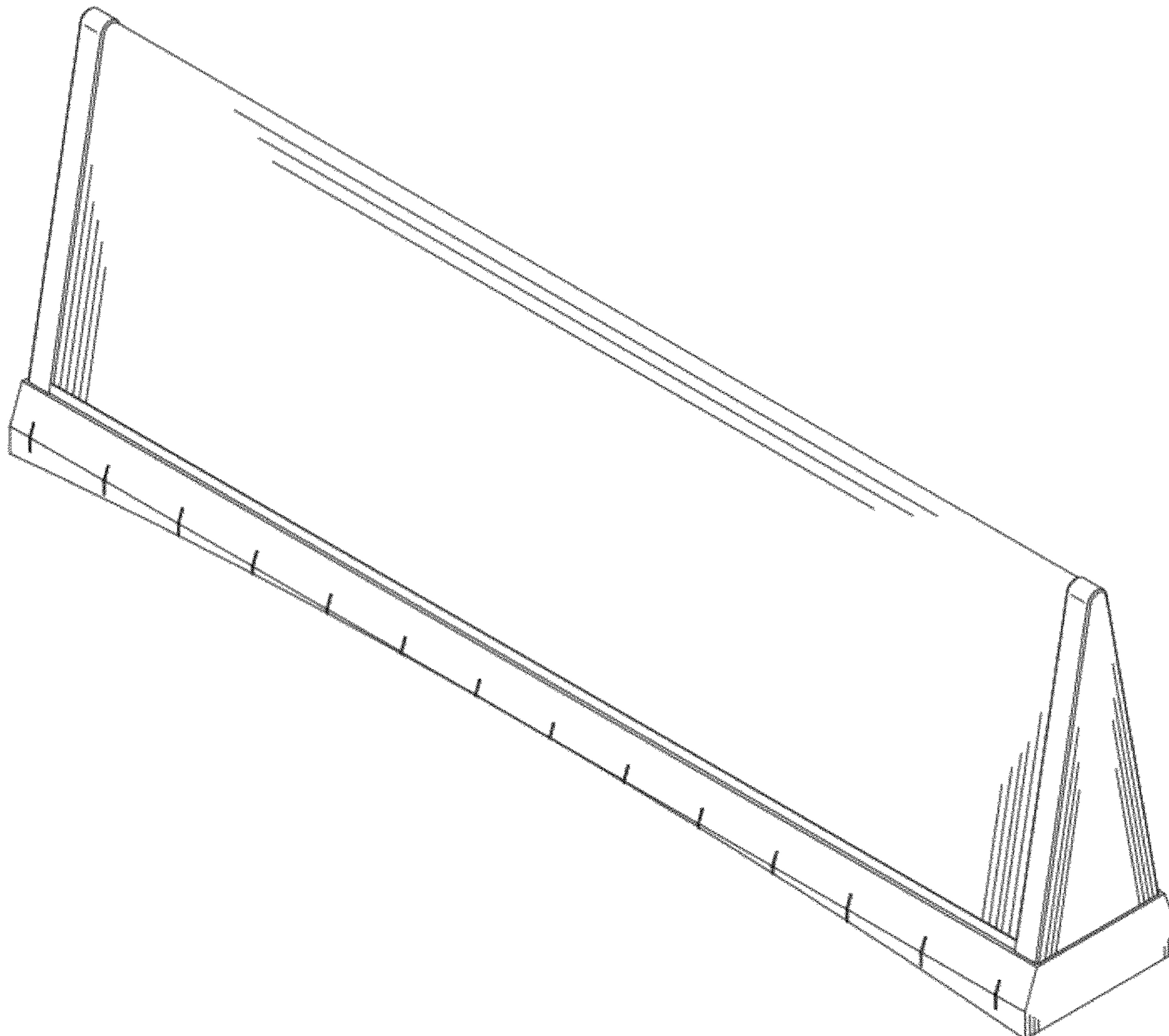
FIG. 3 is a right-side elevational view thereof, the left-side elevational view being a mirror image;

FIG. 4 is a top plan view thereof, the bottom plan view being unornamented;

FIG. 5 is an alternate perspective view thereof; and,

FIG. 6 is a top perspective view showing the slopped surfaces.

1 Claim, 5 Drawing Sheets



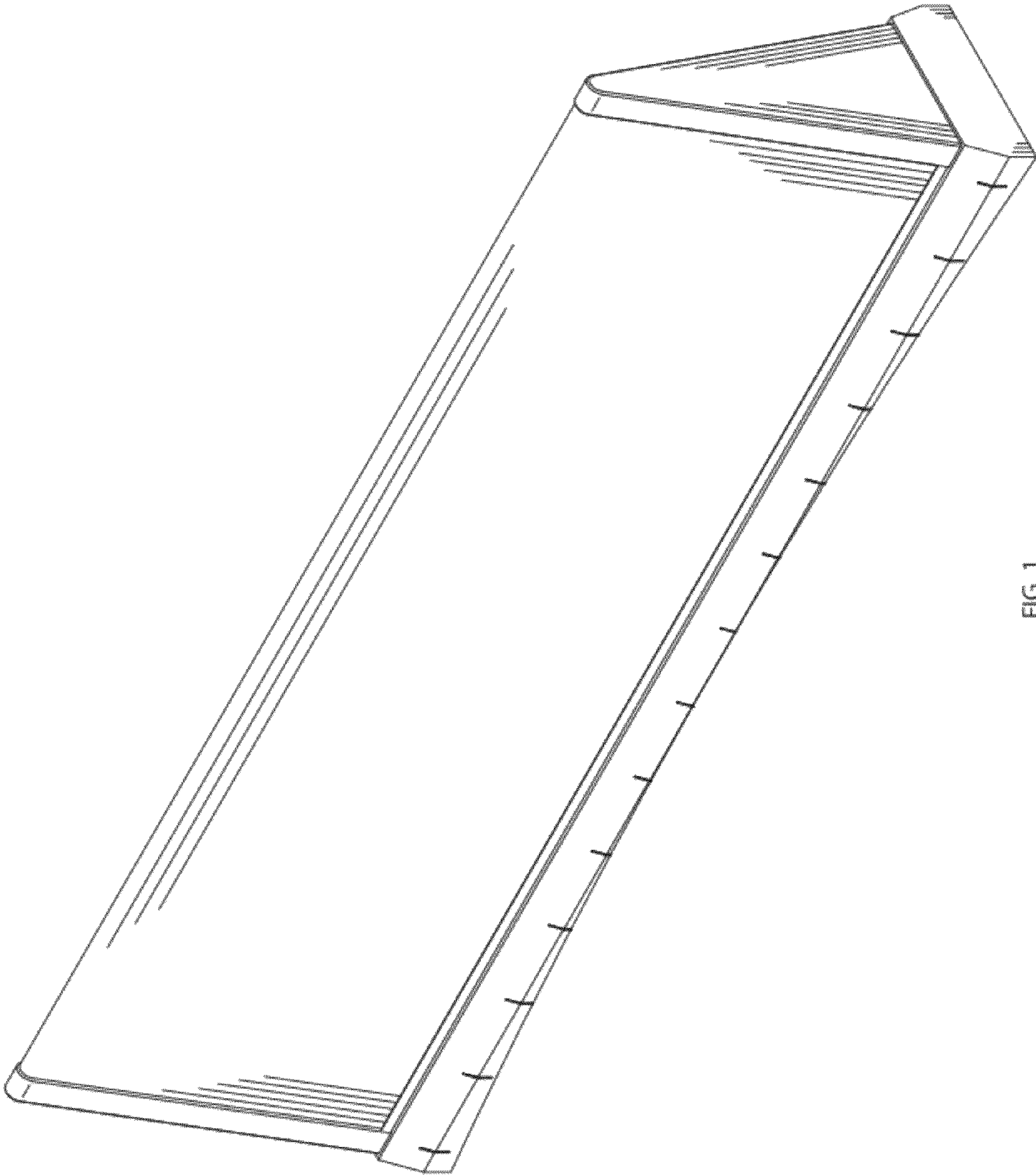


FIG. 1

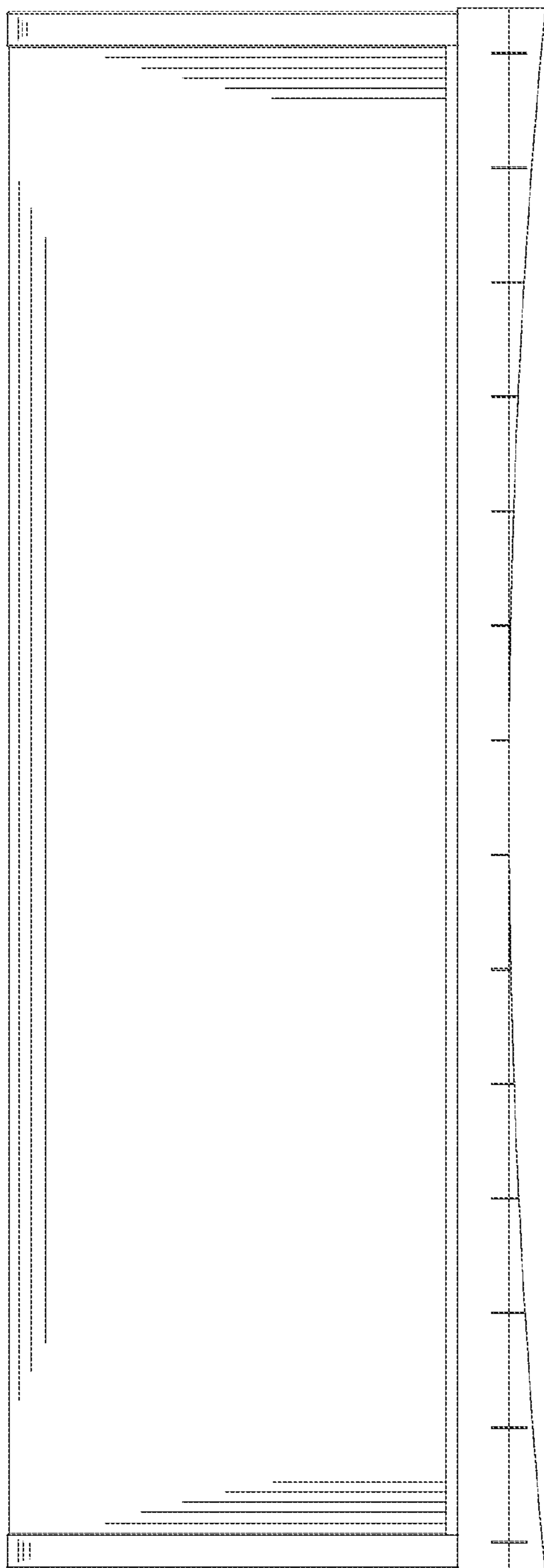


FIG. 2

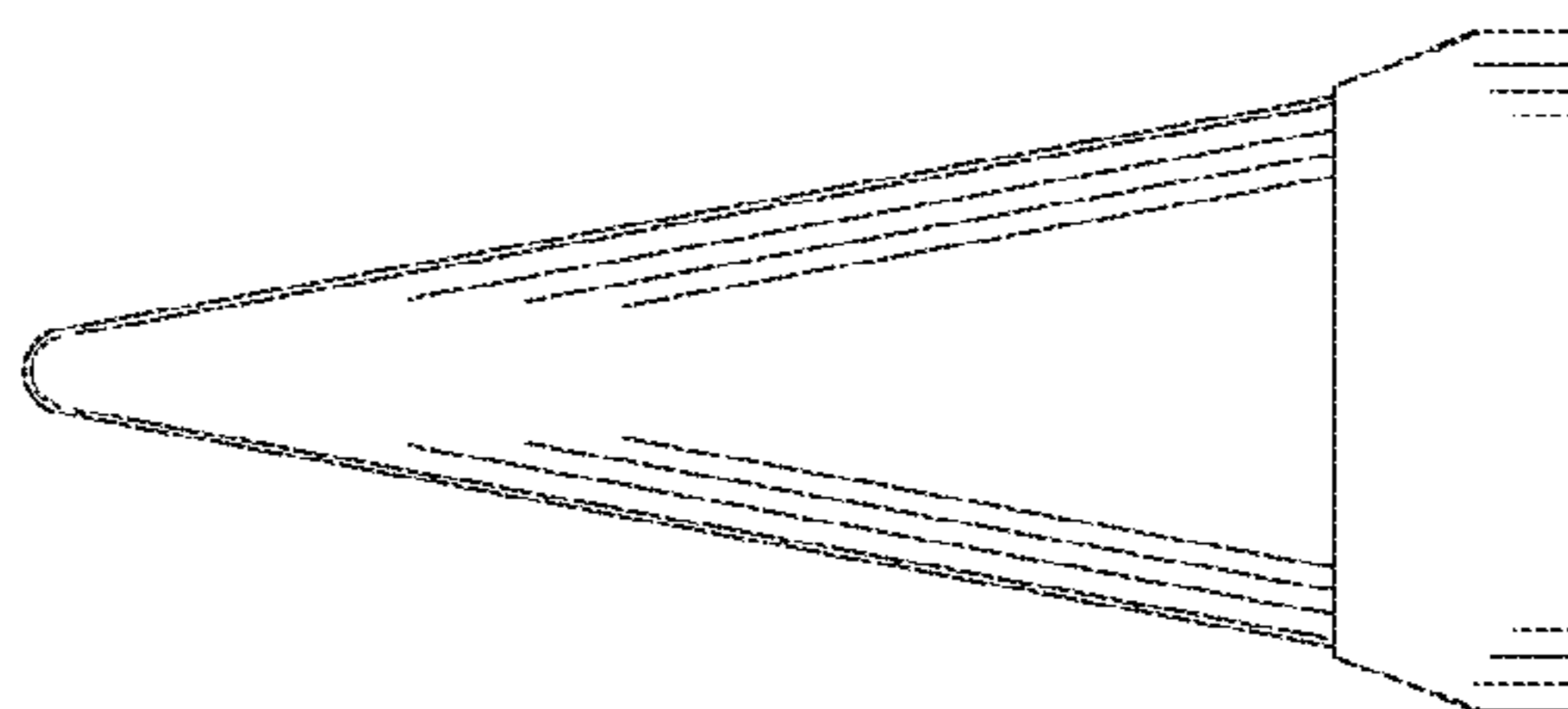


FIG. 3

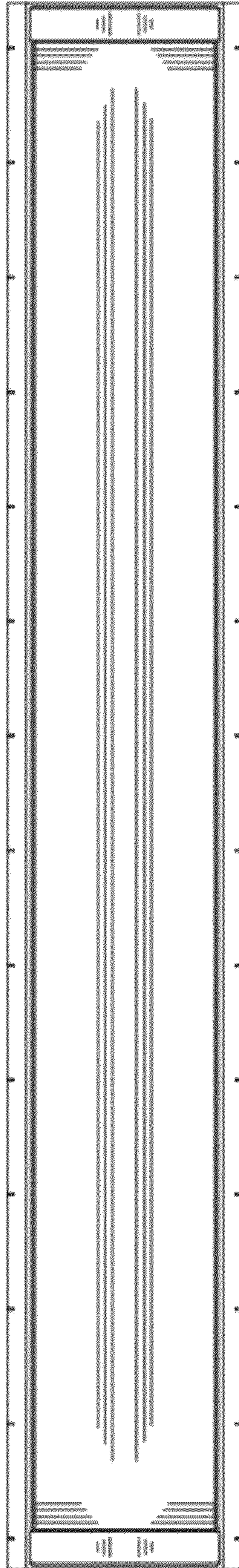


FIG. 4

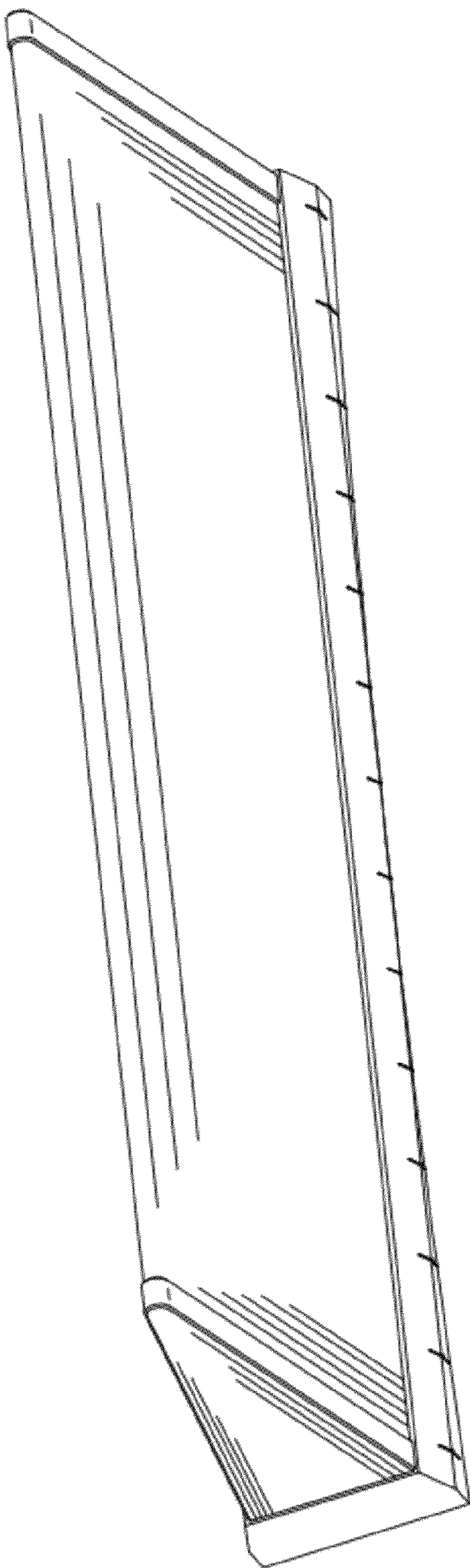


FIG. 5

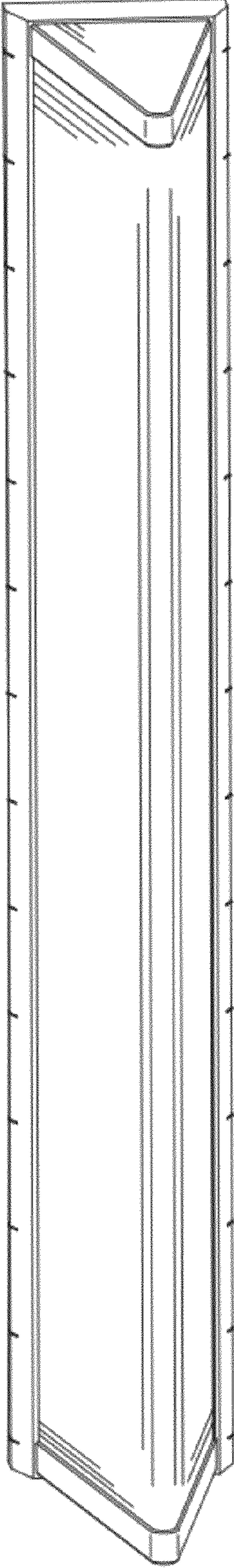


FIG. 6