



US00D656194S

(12) **United States Design Patent**
Yuan

(10) **Patent No.:** **US D656,194 S**
(45) **Date of Patent:** **** Mar. 20, 2012**

(54) **PEN**
(75) Inventor: **Fang Yuan**, Ningbo (CN)
(73) Assignee: **Beifa Group Co., Ltd.**, Ningbo (CN)
(**) Term: **14 Years**
(21) Appl. No.: **29/383,550**
(22) Filed: **Jan. 19, 2011**

(30) **Foreign Application Priority Data**
Jul. 24, 2010 (CN) 2010 3 0254394
(51) **LOC (9) Cl.** **19-06**
(52) **U.S. Cl.** **D19/52**
(58) **Field of Classification Search** D19/35,
D19/36, 41-51, 54-58; D14/411, 431; 24/11 R,
24/11 F, 11 P; 401/52, 99, 100, 104-109,
401/192, 195, 196
See application file for complete search history.

(56) **References Cited**
U.S. PATENT DOCUMENTS
D104,542 S 5/1937 Pearce
D153,905 S 5/1949 Sager
D177,369 S 4/1956 Ensign
D177,370 S 4/1956 Ensign
D190,307 S * 5/1961 Bieger D19/51
D245,504 S * 8/1977 Defores D19/50
D250,478 S 12/1978 Jahraus
4,371,278 A * 2/1983 Joo 401/195
D305,551 S * 1/1990 Oka D19/57
D313,246 S 12/1990 Porsche
D318,879 S 8/1991 Porsche
D324,237 S * 2/1992 Gomez D19/48
D331,261 S * 11/1992 Bannwart D19/51
D399,874 S 10/1998 Boix Gacia
D403,706 S * 1/1999 Fukami D19/51
D445,131 S 7/2001 Keda
D460,485 S * 7/2002 Keda D19/43

D478,626 S 8/2003 Stropkay
D551,711 S * 9/2007 Pellissa Beneyto D19/51
D557,745 S * 12/2007 Isono D19/57
D562,397 S * 2/2008 Qiu et al. D19/51
D565,657 S * 4/2008 Kitamura et al. D19/57
D603,900 S * 11/2009 Jin D19/54
D605,698 S * 12/2009 Zhang D19/48
D607,933 S * 1/2010 Zhang D19/48
D611,538 S 3/2010 Zhou
D643,066 S * 8/2011 Casciotti et al. D19/48

OTHER PUBLICATIONS

Liang, W., "Pen," U.S. Appl. No. 29/383,939, filed Jan. 24, 2011.
Yuan, F., "Pen," U.S. Appl. No. 29/383,557, filed Jan. 19, 2011.
Yuan, F., "Pen," U.S. Appl. No. 29/383,705, filed Jan. 20, 2011.
Yuan, F., "Pen," U.S. Appl. No. 29/383,937, filed Jan. 24, 2011.
Zhang, Y., "Pen," U.S. Appl. No. 29/365,887, filed Jul. 16, 2010.

* cited by examiner

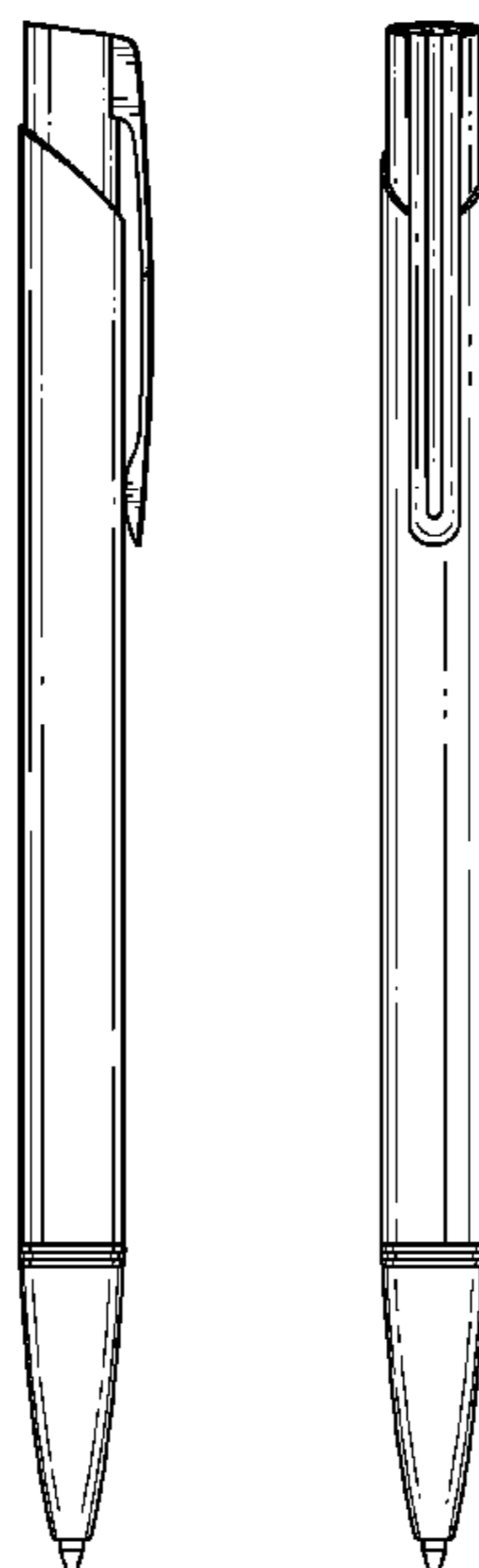
Primary Examiner — Elizabeth Albert
(74) *Attorney, Agent, or Firm* — Christensen O'Connor
Johnson Kindness PLLC

(57) **CLAIM**
The ornamental design for a pen, as shown and described.

DESCRIPTION

FIG. 1 is an upper front right perspective view of a pen showing my new design;
FIG. 2 is a left side elevation view thereof, with the right side elevation view being a mirror image of the left side elevation view;
FIG. 3 is a front elevation view thereof;
FIG. 4 is a rear elevation view thereof;
FIG. 5 is an enlarged top plan view thereof; and,
FIG. 6 is an enlarged bottom plan view thereof.
The broken lines around the inside surface in FIG. 5 are included for the purpose of illustrating a portion of the pen that forms no part of the claimed design.

1 Claim, 3 Drawing Sheets



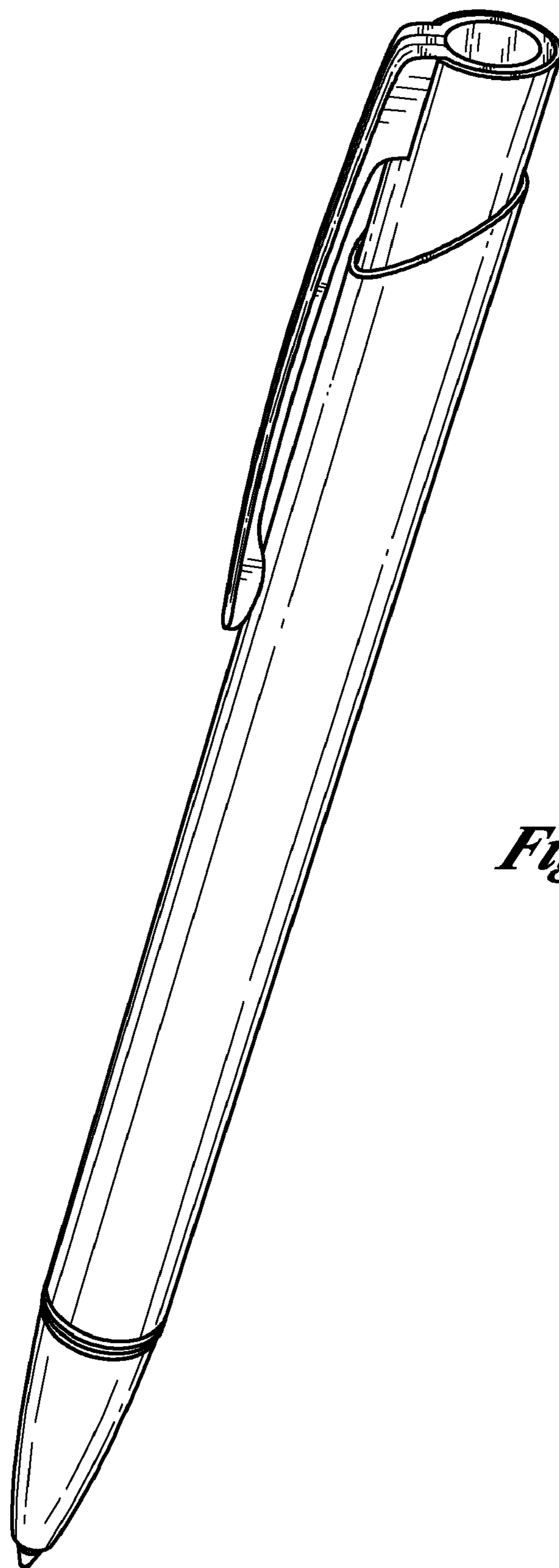


Fig.1.

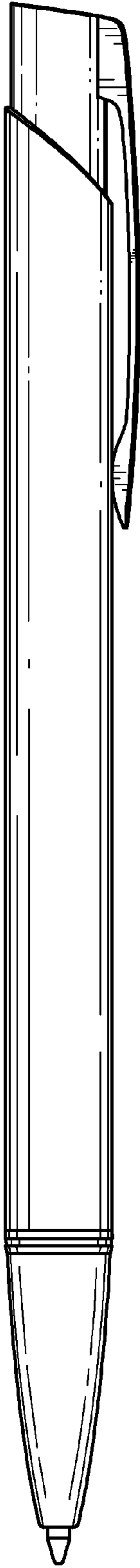


Fig. 2.

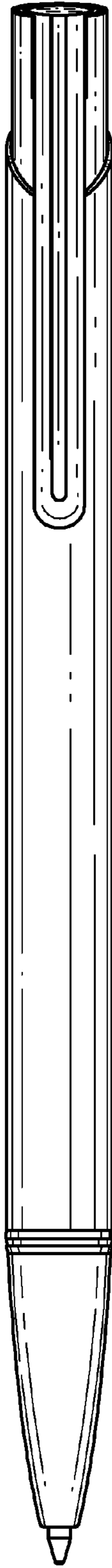


Fig. 3.

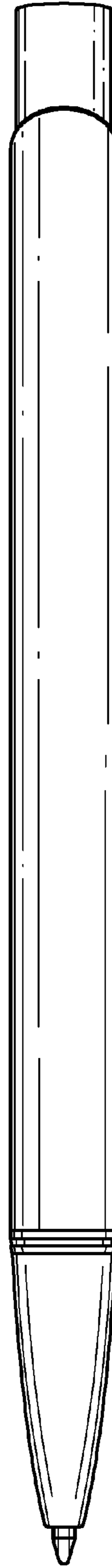


Fig. 4.

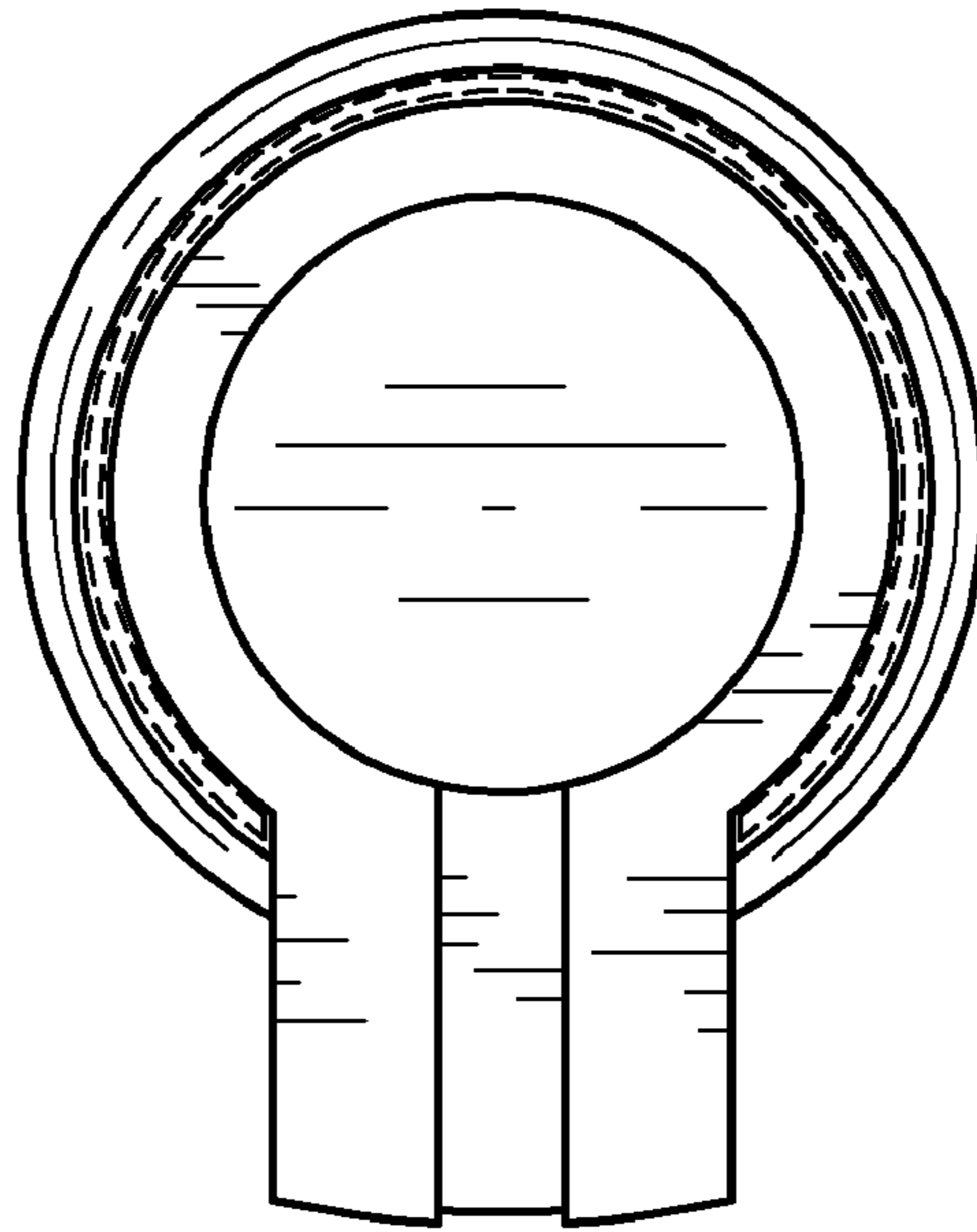


Fig. 5.

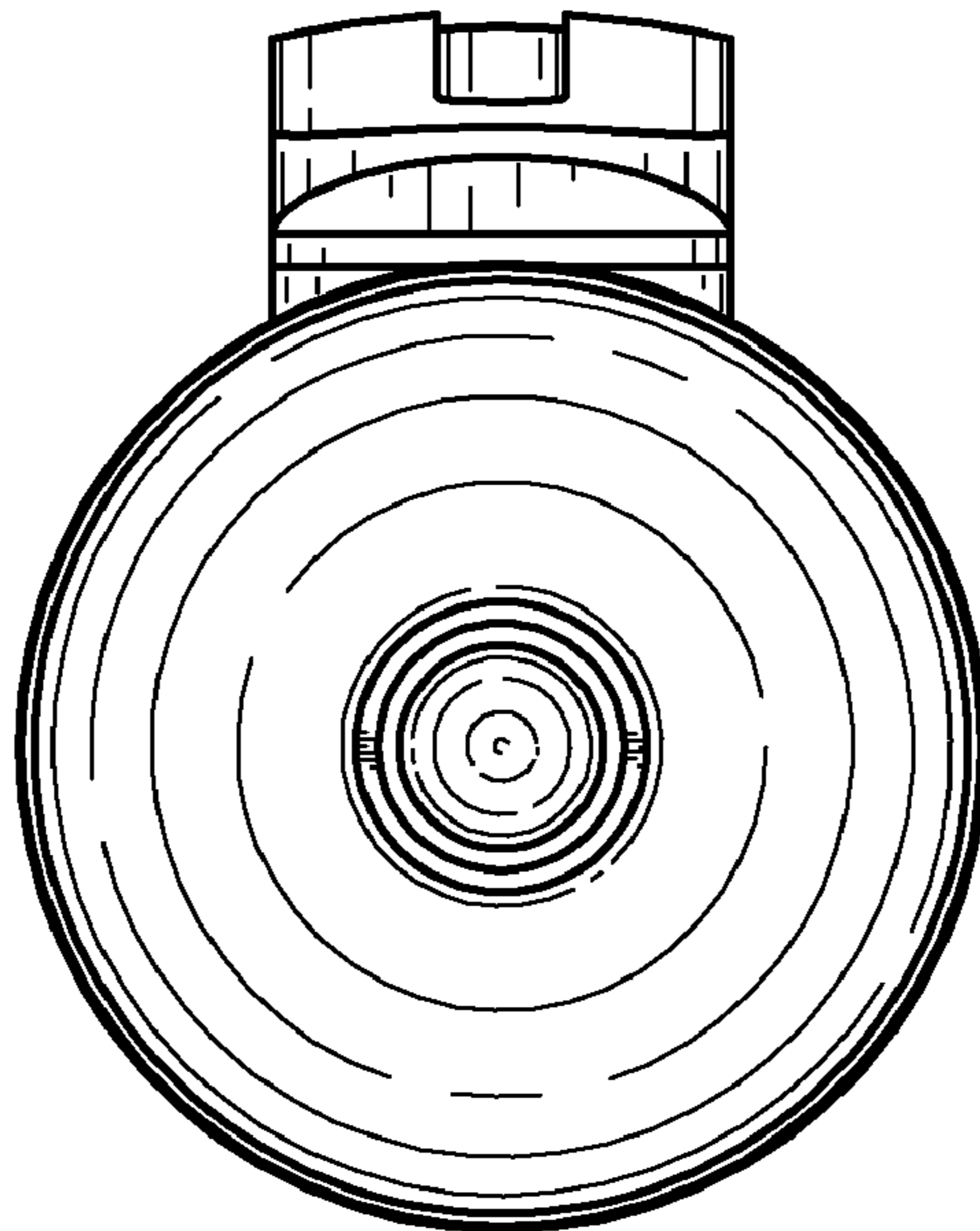


Fig. 6.