



US00D656193S

(12) **United States Design Patent**  
**Yuan**

(10) **Patent No.:** **US D656,193 S**  
(45) **Date of Patent:** **\*\* Mar. 20, 2012**

- (54) **PEN**
- (75) Inventor: **Fang Yuan**, Ningbo (CN)
- (73) Assignee: **Beifa Group Co., Ltd.**, Ningbo (CN)
- (\*\*) Term: **14 Years**
- (21) Appl. No.: **29/383,557**
- (22) Filed: **Jan. 19, 2011**

D549,778 S *	8/2007	Kent et al.	.....	D19/51
D562,891 S *	2/2008	Qiu et al.	.....	D19/47
D562,895 S *	2/2008	Shibata	.....	D19/50
D565,102 S	3/2008	Anand		
D566,763 S *	4/2008	Kowalczyk	.....	D19/50
D573,640 S *	7/2008	Qiu et al.	.....	D19/48
D575,821 S *	8/2008	Tan	.....	D19/50
D576,675 S *	9/2008	Kent et al.	.....	D19/49
D591,350 S *	4/2009	Beyer	.....	D19/50
D603,452 S *	11/2009	Rolion et al.	.....	D19/50
D603,453 S *	11/2009	Rolion et al.	.....	D19/50
D605,701 S	12/2009	Zhang		

(Continued)

(30) **Foreign Application Priority Data**

Jul. 24, 2010 (CN) ..... 2010 3 0254391

- (51) **LOC (9) Cl.** ..... **19-06**
- (52) **U.S. Cl.** ..... **D19/50**
- (58) **Field of Classification Search** ..... D19/35,  
D19/36, 41-51, 54-58; D14/411, 431; 24/11 R,  
24/11 F, 11 P; 401/52, 99, 100, 104-109,  
401/192, 195, 196

See application file for complete search history.

(56) **References Cited**

**U.S. PATENT DOCUMENTS**

D104,542 S	5/1937	Pearce	
D250,478 S	12/1978	Jahraus	
D465,238 S *	11/2002	Qiu	..... D19/50
D476,364 S *	6/2003	Bain	..... D19/51
D478,125 S	8/2003	Chen	
D478,626 S	8/2003	Stropkay	
D480,423 S	10/2003	Kung	
D487,114 S *	2/2004	Santa Maria et al.	..... D19/50
D502,507 S	3/2005	Wang	
D510,104 S *	9/2005	Qiu	..... D19/47
D525,302 S *	7/2006	Togawa	..... D19/51
D531,218 S *	10/2006	Tatic	..... D19/50
D534,955 S	1/2007	Xiong	
D538,343 S	3/2007	Morton	
D548,281 S	8/2007	Tien	
D548,788 S	8/2007	Anand	
D548,791 S	8/2007	Santa Maria	

**OTHER PUBLICATIONS**

Li, B., "Pen," U.S. Appl. No. 29/382,823, filed Jan. 7, 2011.

(Continued)

*Primary Examiner* — Elizabeth Albert

(74) *Attorney, Agent, or Firm* — Christensen O'Connor Johnson Kindness PLLC

(57) **CLAIM**

The ornamental design for a pen, as shown and described.

**DESCRIPTION**

FIG. 1 is an upper front right perspective view of a pen showing my new design;

FIG. 2 is a right side elevation view thereof, with the left side elevation view being a minor image of the right side elevation view;

FIG. 3 is a front elevation view thereof;

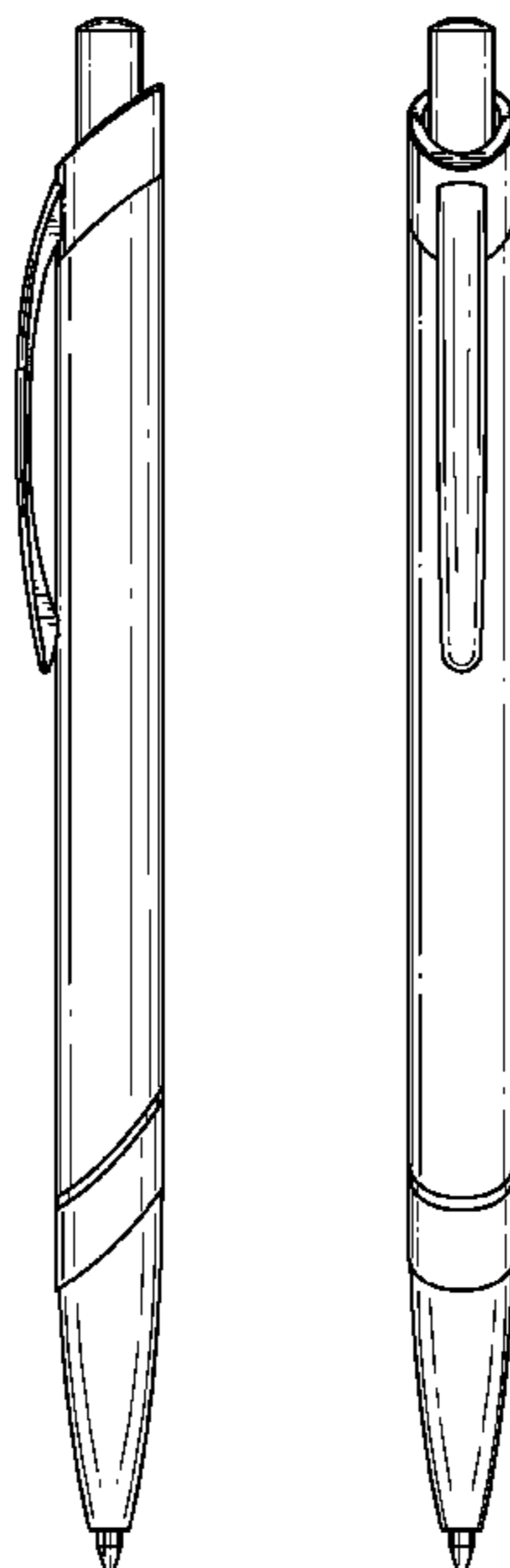
FIG. 4 is a rear elevation view thereof;

FIG. 5 is an enlarged top plan view thereof; and,

FIG. 6 is an enlarged bottom plan view thereof.

The broken lines around the inside surface in FIG. 5 are included for the purpose of illustrating a portion of the pen that forms no part of the claimed design.

**1 Claim, 3 Drawing Sheets**



# US D656,193 S

Page 2

---

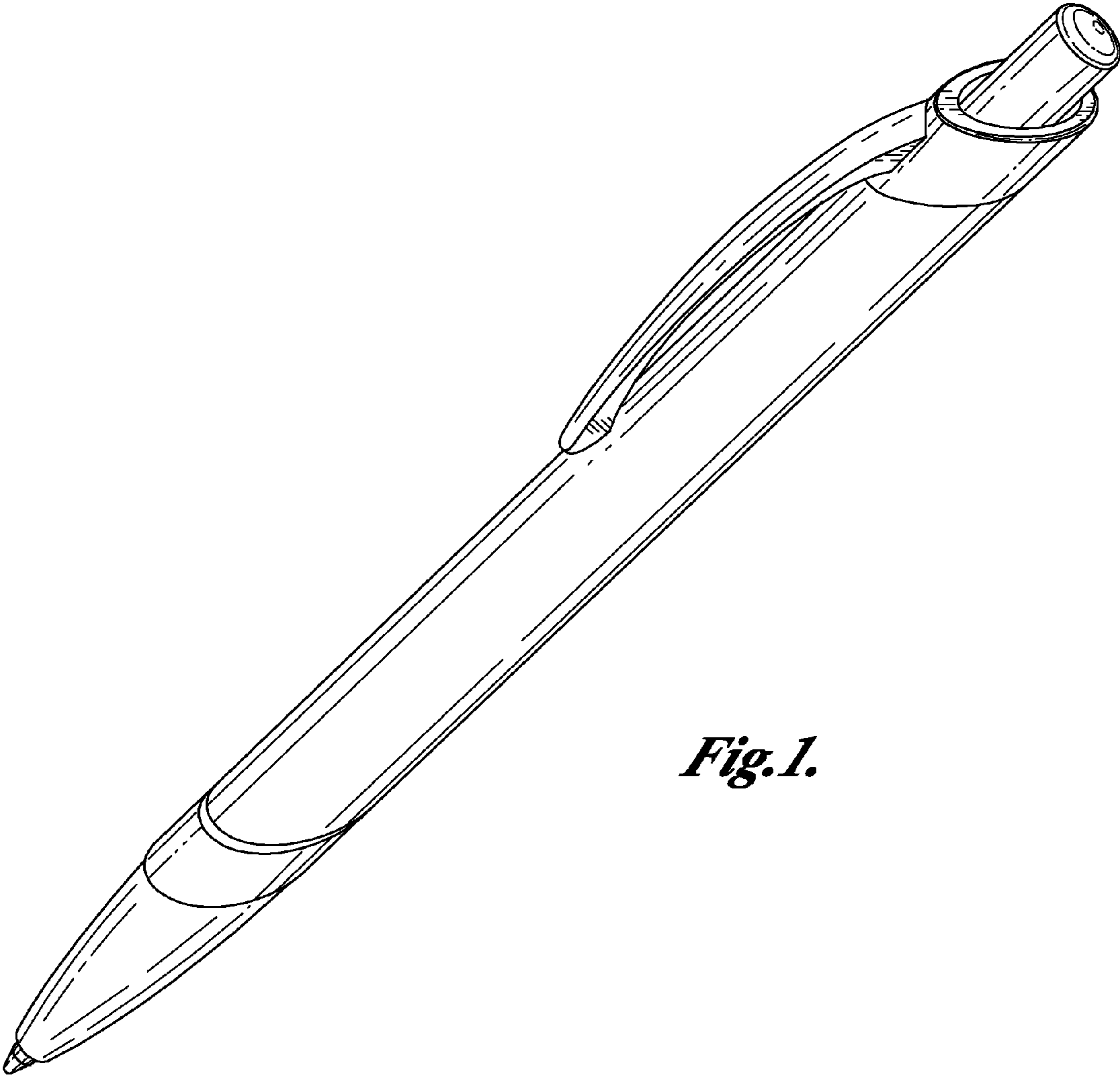
## U.S. PATENT DOCUMENTS

D607,932	S	*	1/2010	Zhang	.....	D19/48
D609,748	S	*	2/2010	Achzet et al.	.....	D19/55
D619,169	S	*	7/2010	Kent et al.	.....	D19/48
D630,247	S	*	1/2011	Shimizu	.....	D19/50
D631,913	S	*	2/2011	Li	.....	D19/48
D641,407	S	*	7/2011	Li	.....	D19/50
D641,408	S	*	7/2011	Zhang	.....	D19/50
D641,788	S	*	7/2011	Rolion et al.	.....	D19/50

## OTHER PUBLICATIONS

Liang, W., "Pen," U.S. Appl. No. 29/383,350, filed Jan. 14, 2011.  
Liang, W., "Pen," U.S. Appl. No. 29/383,939, filed Jan. 24, 2011.  
Yuan, F., "Pen," U.S. Appl. No. 29/383,702, filed Jan. 20, 2011.  
Yuan, F., "Pen," U.S. Appl. No. 29/383,704, filed Jan. 20, 2011.  
Zhang, Y., "Pen," U.S. Appl. No. 29/365,887, filed Jul. 16, 2010.

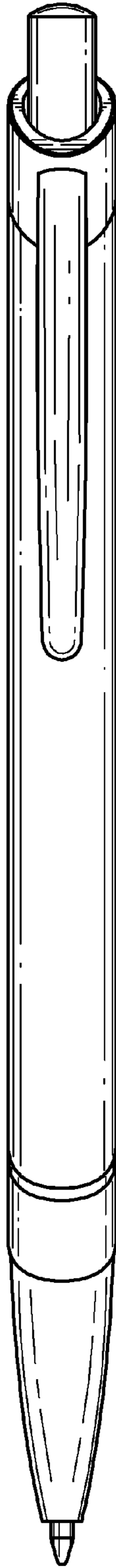
\* cited by examiner



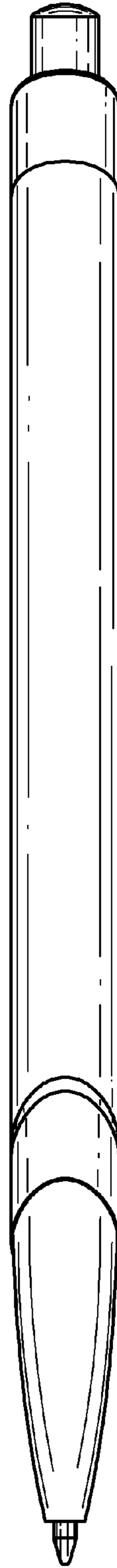
*Fig. 1.*



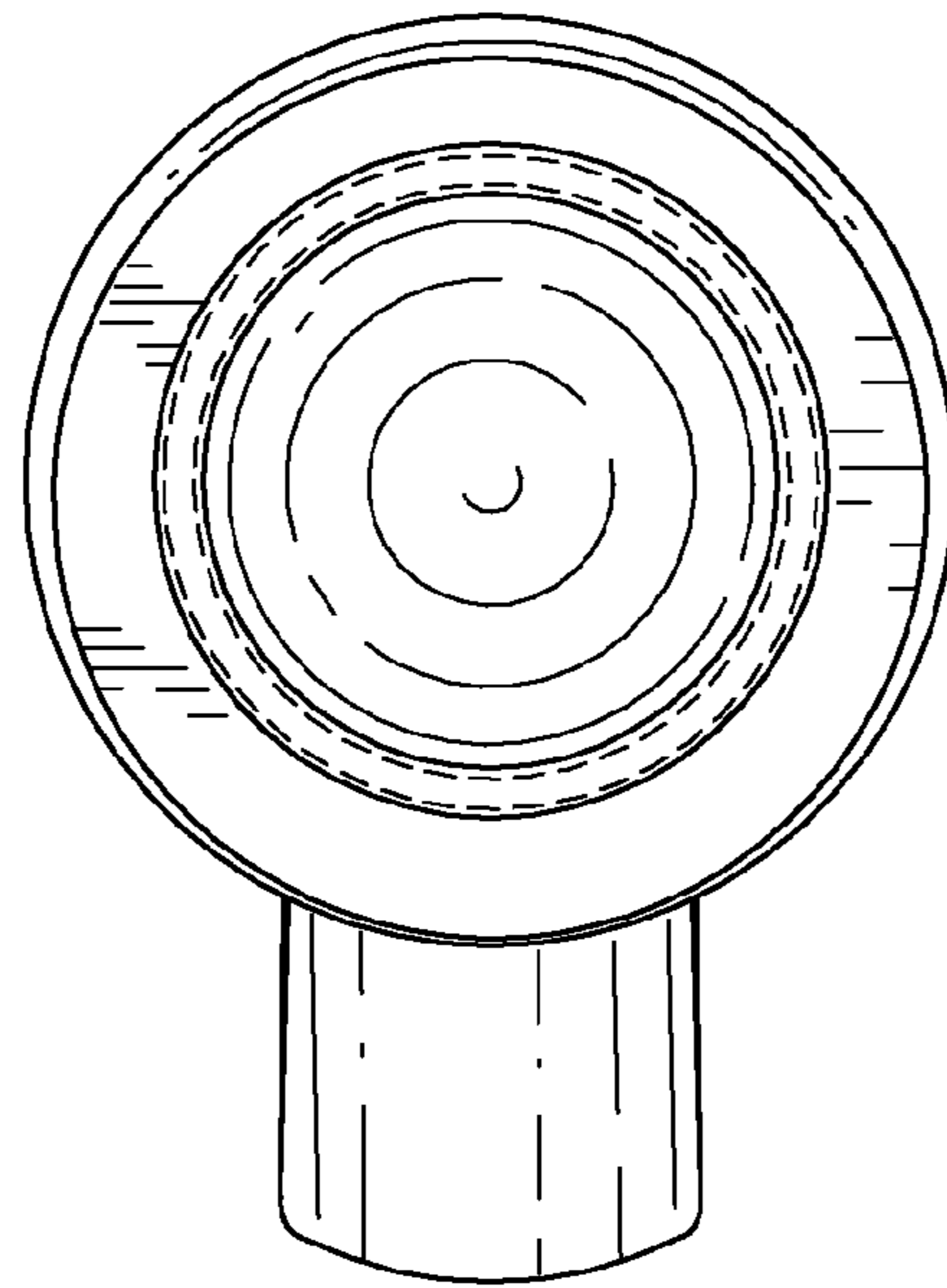
*Fig. 2.*



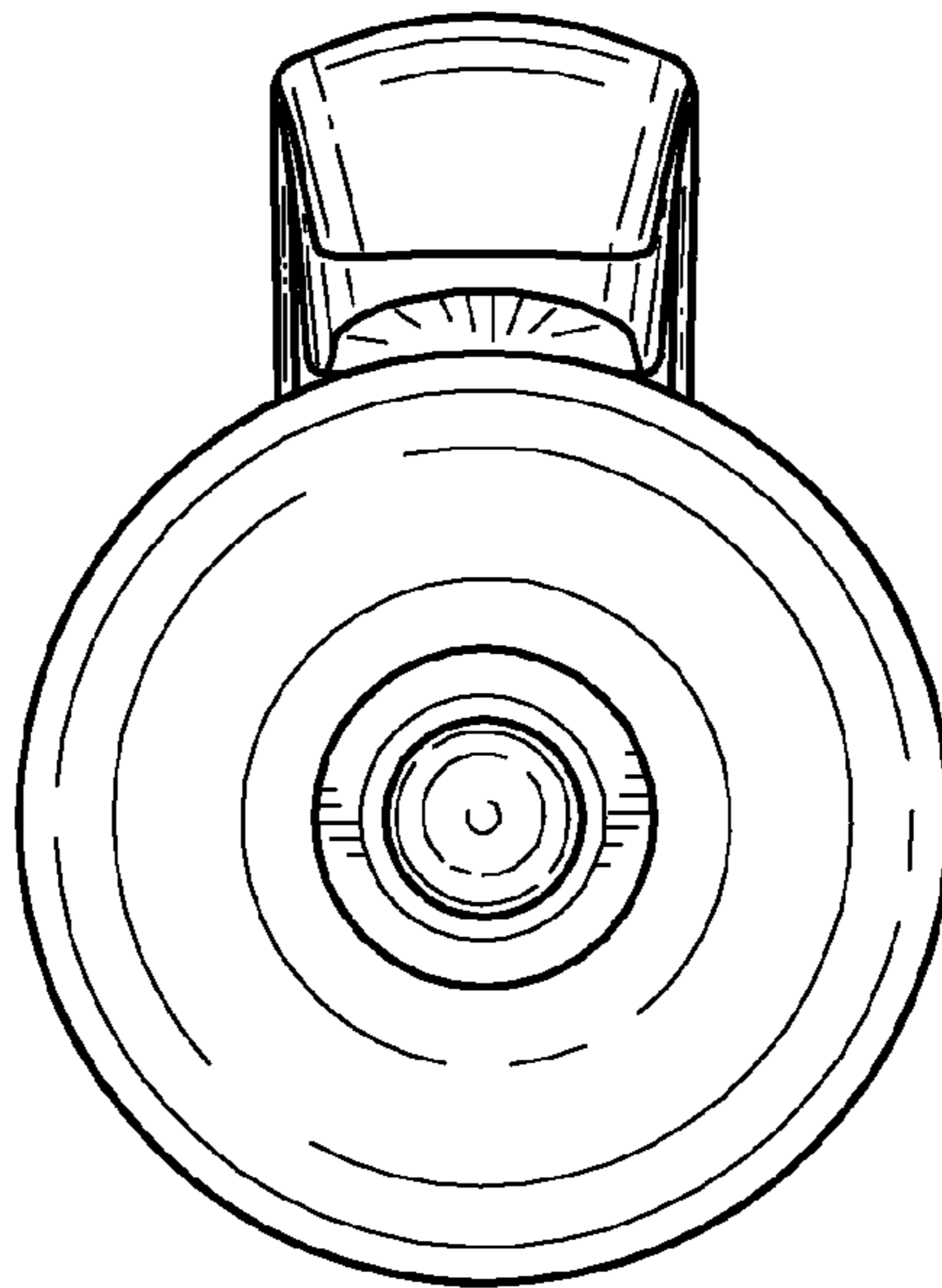
*Fig. 3.*



*Fig. 4.*



*Fig. 5.*



*Fig. 6.*

UNITED STATES PATENT AND TRADEMARK OFFICE  
**CERTIFICATE OF CORRECTION**

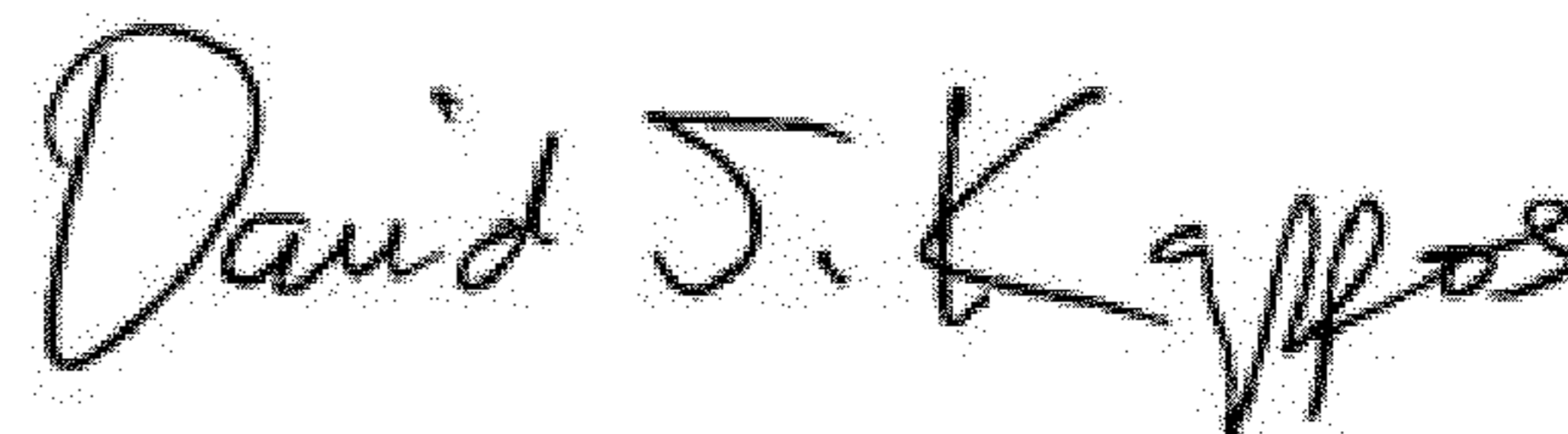
PATENT NO. : D656,193 S  
APPLICATION NO. : 29/383557  
DATED : March 20, 2012  
INVENTOR(S) : Yuan

Page 1 of 1

It is certified that error appears in the above-identified patent and that said Letters Patent is hereby corrected as shown below:

<u>COLUMN</u>	<u>LINE</u>	<u>ERROR</u>
Title Page (57) Pg. 1, col. 2	Description 4 of text	“a minor image” should read --a mirror image--

Signed and Sealed this  
Seventh Day of August, 2012



David J. Kappos  
*Director of the United States Patent and Trademark Office*