



US00D656192S

(12) **United States Design Patent**
Chen

(10) **Patent No.:** **US D656,192 S**
(45) **Date of Patent:** **** Mar. 20, 2012**

(54) **MARKER**

(75) Inventor: **Bei Chen**, Ningbo (CN)

(73) Assignee: **Beifa Group Co., Ltd.**, Ningbo (CN)

(**) Term: **14 Years**

(21) Appl. No.: **29/384,492**

(22) Filed: **Jan. 31, 2011**

(30) **Foreign Application Priority Data**

Aug. 4, 2010 (CN) 2010 3 0266939

(51) **LOC (9) Cl.** **19-06**

(52) **U.S. Cl.** **D19/41**

(58) **Field of Classification Search** D19/35,
D19/36, 41-51, 54-58; D14/411, 431; 24/11 R,
24/11 F, 11 P; 401/52, 99, 100, 104-109,
401/192, 195, 196; D28/88, 89, 90

See application file for complete search history.

(56) **References Cited**

U.S. PATENT DOCUMENTS

1,721,215	A *	7/1929	Harding	206/227
2,655,131	A *	10/1953	Wendt	401/91
2,983,946	A *	5/1961	Edelstone et al.	401/4
D280,140	S	8/1985	Bakic		
D301,252	S *	5/1989	Ohashi et al.	D19/43
D301,486	S *	6/1989	Yuen	D19/36
D302,175	S *	7/1989	Ohashi et al.	D19/43
D375,256	S *	11/1996	Chadfield	D9/724
D389,862	S	1/1998	Imagawa		
D430,705	S *	9/2000	Lang	D28/89
D441,145	S *	4/2001	Chang	D28/88

6,561,711	B1 *	5/2003	Pierpont	401/78
D493,484	S	7/2004	Shova		
D496,398	S *	9/2004	Greenberg	D19/43
D498,494	S *	11/2004	Conklin et al.	D19/51
D518,369	S *	4/2006	Haber et al.	D9/428
D539,153	S *	3/2007	Marx et al.	D9/529
D539,984	S *	4/2007	Egawa	D28/89
D551,569	S *	9/2007	Tanaka	D9/724
D573,183	S *	7/2008	Qiu et al.	D19/36
D574,731	S *	8/2008	Py et al.	D9/723
D583,866	S	12/2008	Eddington		
D597,598	S	8/2009	Ma		
D608,827	S *	1/2010	Hung	D19/49
D615,419	S *	5/2010	Owen	D9/726
D632,014	S *	2/2011	Lee	D28/76
D640,319	S *	6/2011	Gerules	D19/41
D643,299	S *	8/2011	Bunce et al.	D9/529

* cited by examiner

Primary Examiner — Elizabeth Albert

(74) *Attorney, Agent, or Firm* — Christensen O'Connor Johnson Kindness PLLC

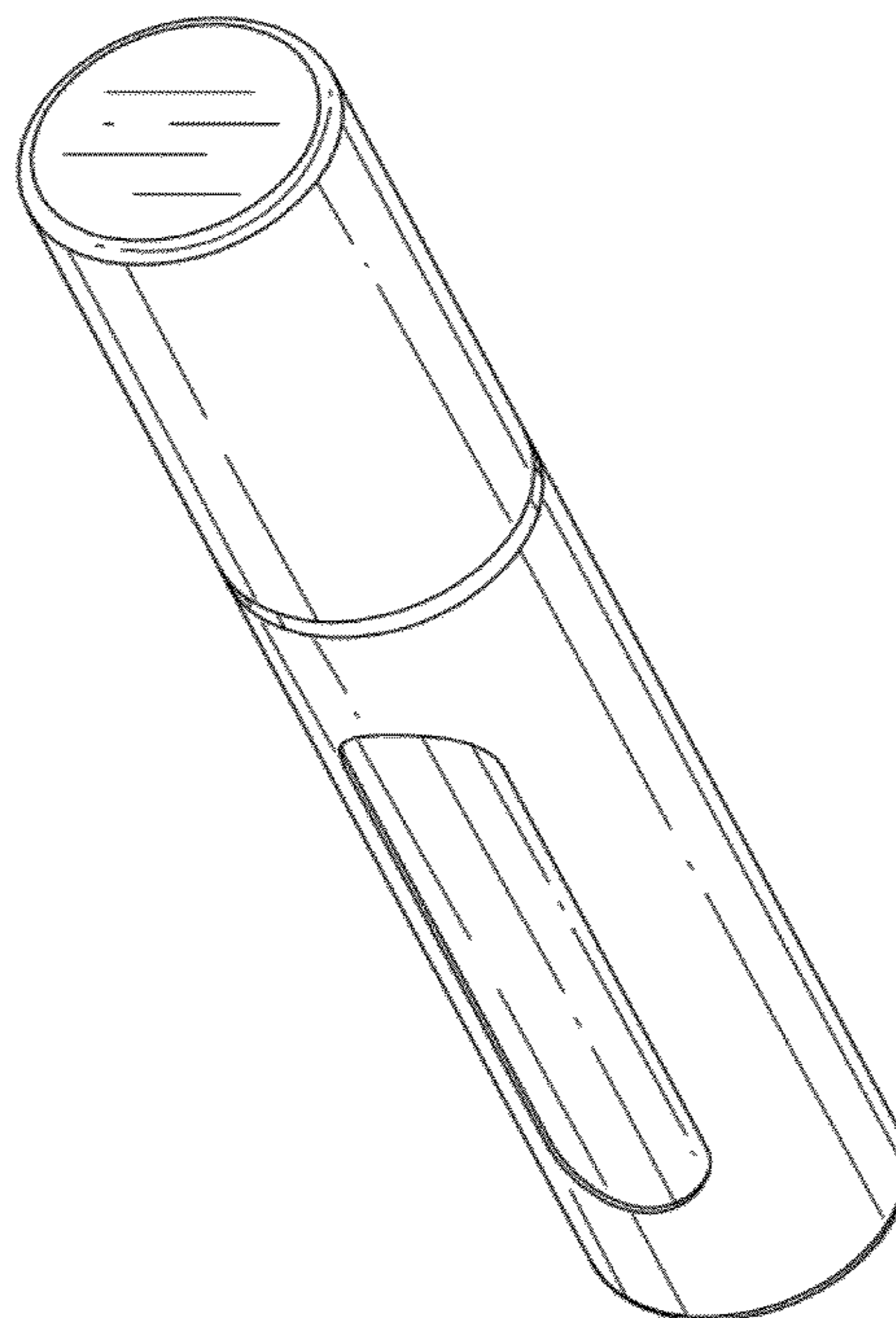
(57) **CLAIM**

The ornamental design for a marker, as shown and described.

DESCRIPTION

FIG. 1 is an upper front right perspective view of a marker showing my new design;
FIG. 2 is a front elevation view thereof;
FIG. 3 is a rear elevation view thereof;
FIG. 4 is a right side elevation view thereof, with the left side elevation view being a mirror image of the right side elevation view; and,
FIG. 5 is an enlarged bottom plan view thereof, with the top plan view being a mirror image of the bottom plan view.

1 Claim, 3 Drawing Sheets



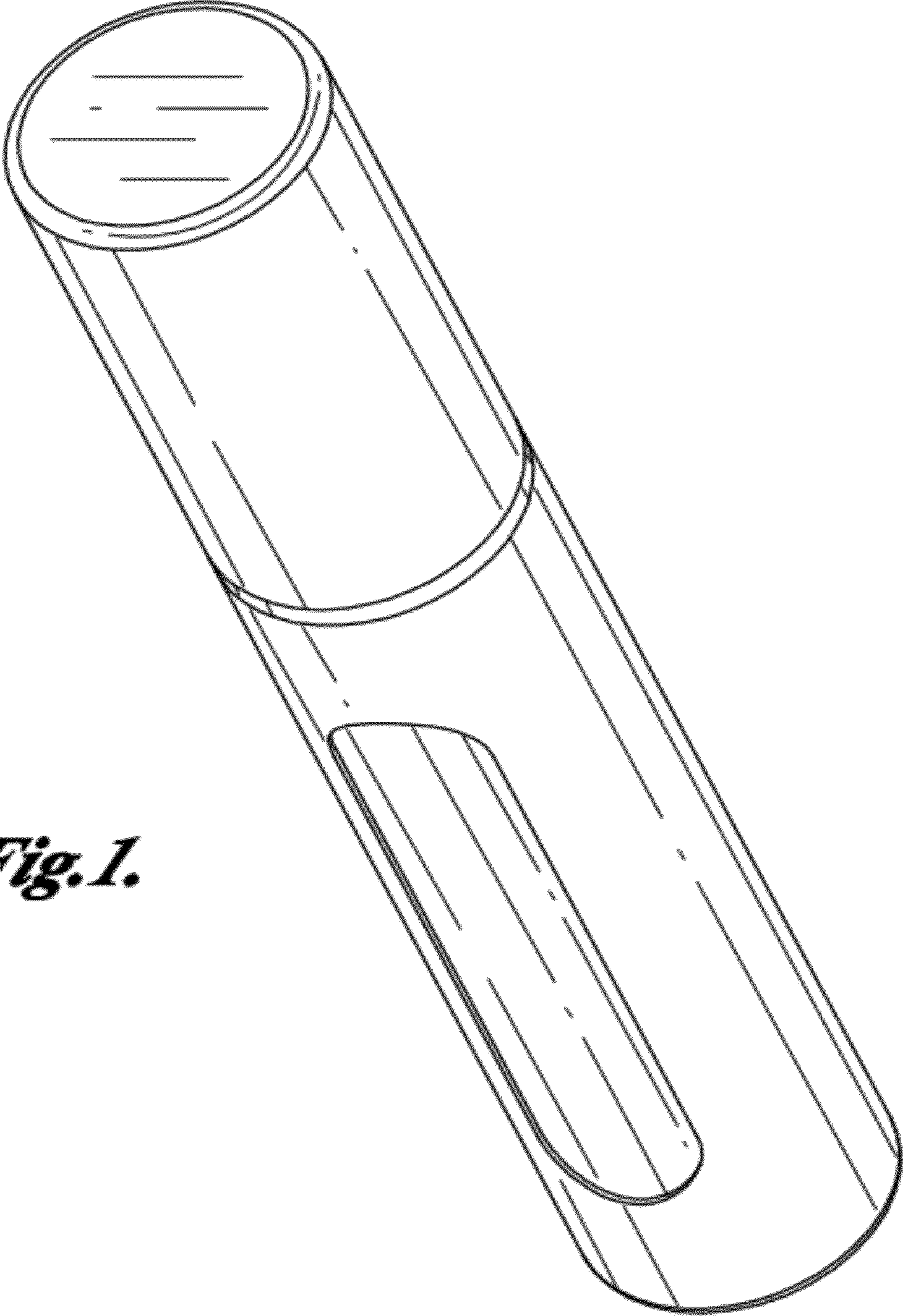


Fig.1.

Fig. 2.

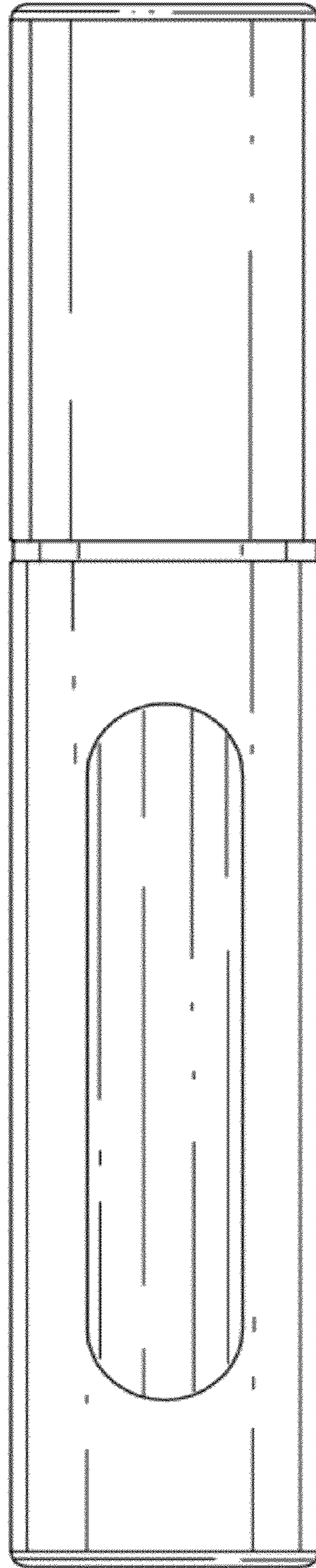


Fig. 3.

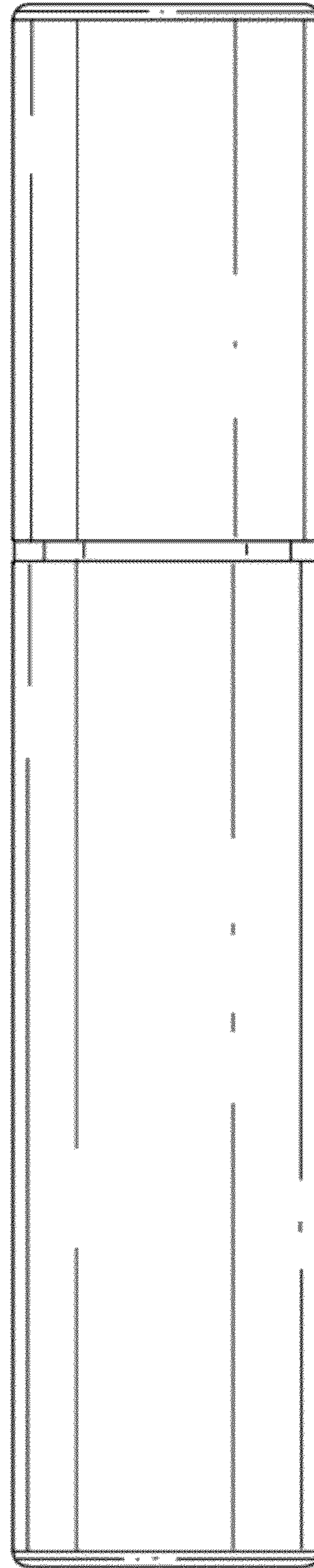


Fig. 4.

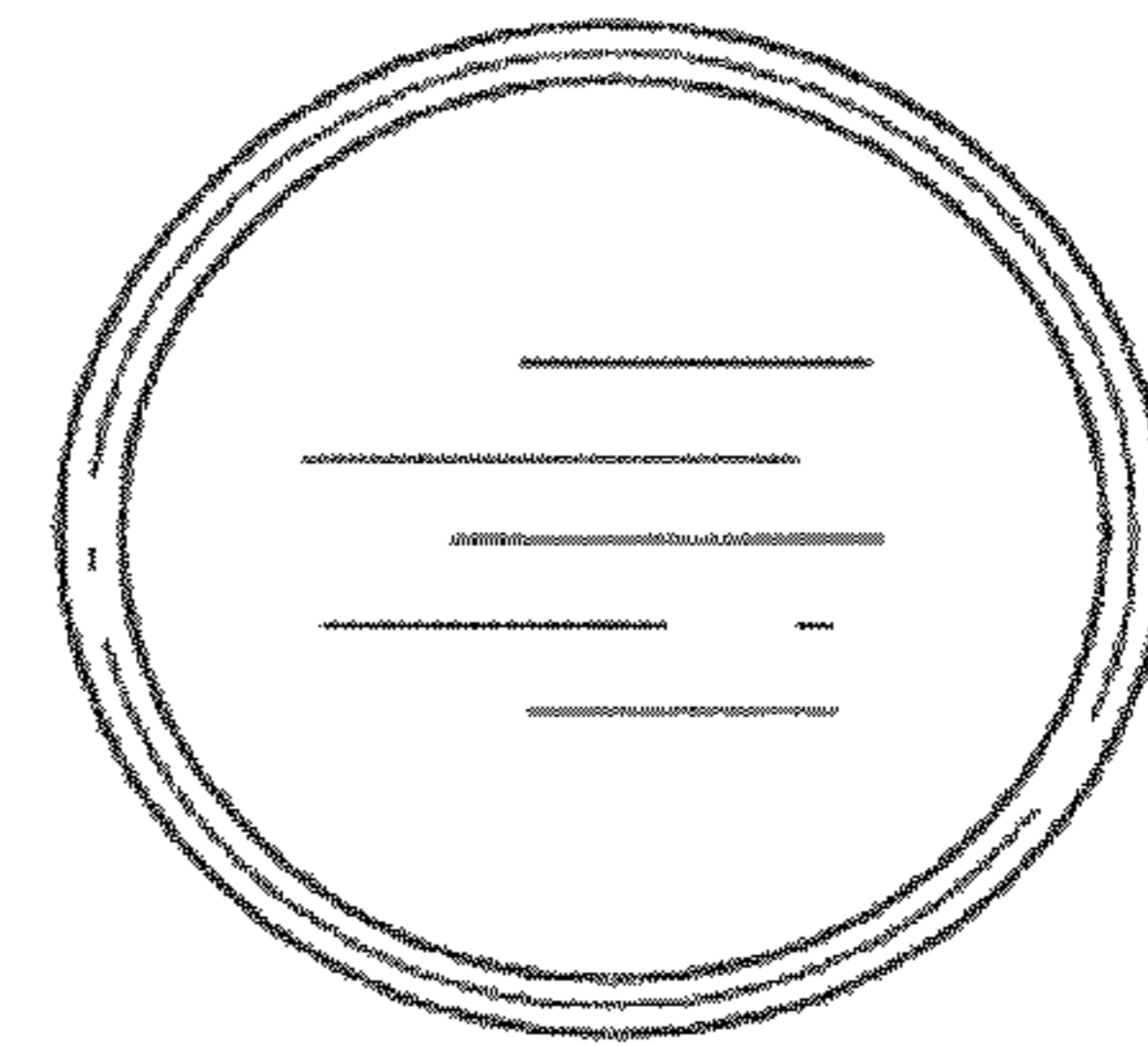
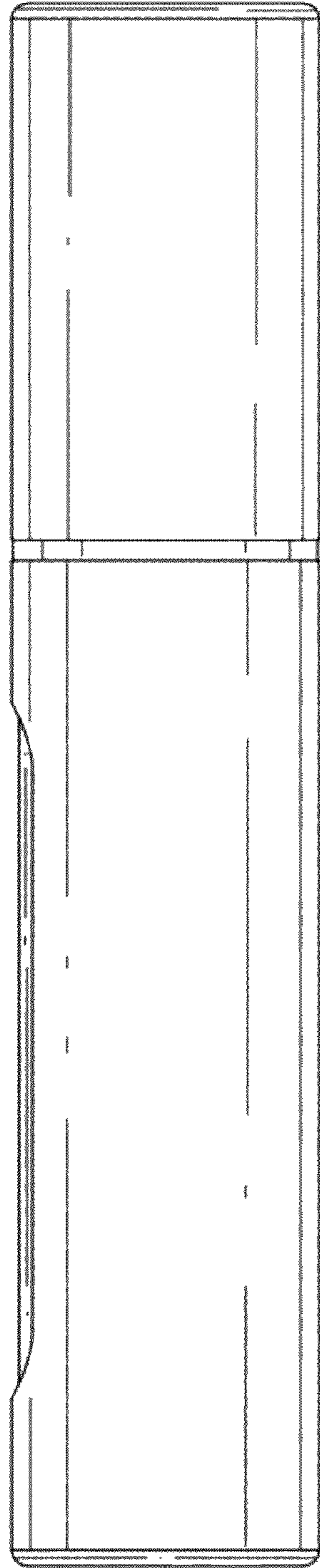


Fig. 5.