



US00D656189S

(12) **United States Design Patent**  
**DeCarlo**

(10) **Patent No.:** **US D656,189 S**  
(45) **Date of Patent:** **\*\* Mar. 20, 2012**

(54) **PAPER BINDER**

(75) Inventor: **Tony DeCarlo**, Kirtland, OH (US)

(73) Assignee: **Ideastream Products, LLC**, Cleveland, OH (US)

(\*\*) Term: **14 Years**

(21) Appl. No.: **29/386,637**

(22) Filed: **Mar. 3, 2011**

(51) **LOC (9) Cl.** ..... **19-04**

(52) **U.S. Cl.** ..... **D19/27**

(58) **Field of Classification Search** ..... D19/26-33,  
D19/65, 86, 99; 281/27.1-27.3, 29, 31, 45;  
402/26, 31, 36, 38, 60, 70

See application file for complete search history.

(56) **References Cited**

**U.S. PATENT DOCUMENTS**

5,160,209 A \* 11/1992 Schuessler ..... 402/75  
D347,022 S \* 5/1994 Schattner ..... D19/27  
6,036,394 A \* 3/2000 Cheng ..... 402/26

6,155,737 A \* 12/2000 Whaley ..... 402/5  
D496,396 S \* 9/2004 Hyman ..... D19/27  
2002/0041789 A1 \* 4/2002 Conklin et al. .... 402/73

\* cited by examiner

*Primary Examiner* — T. Chase Nelson

*Assistant Examiner* — Kathleen M Sims

(74) *Attorney, Agent, or Firm* — Fay Sharpe LLP; Brian E. Turung

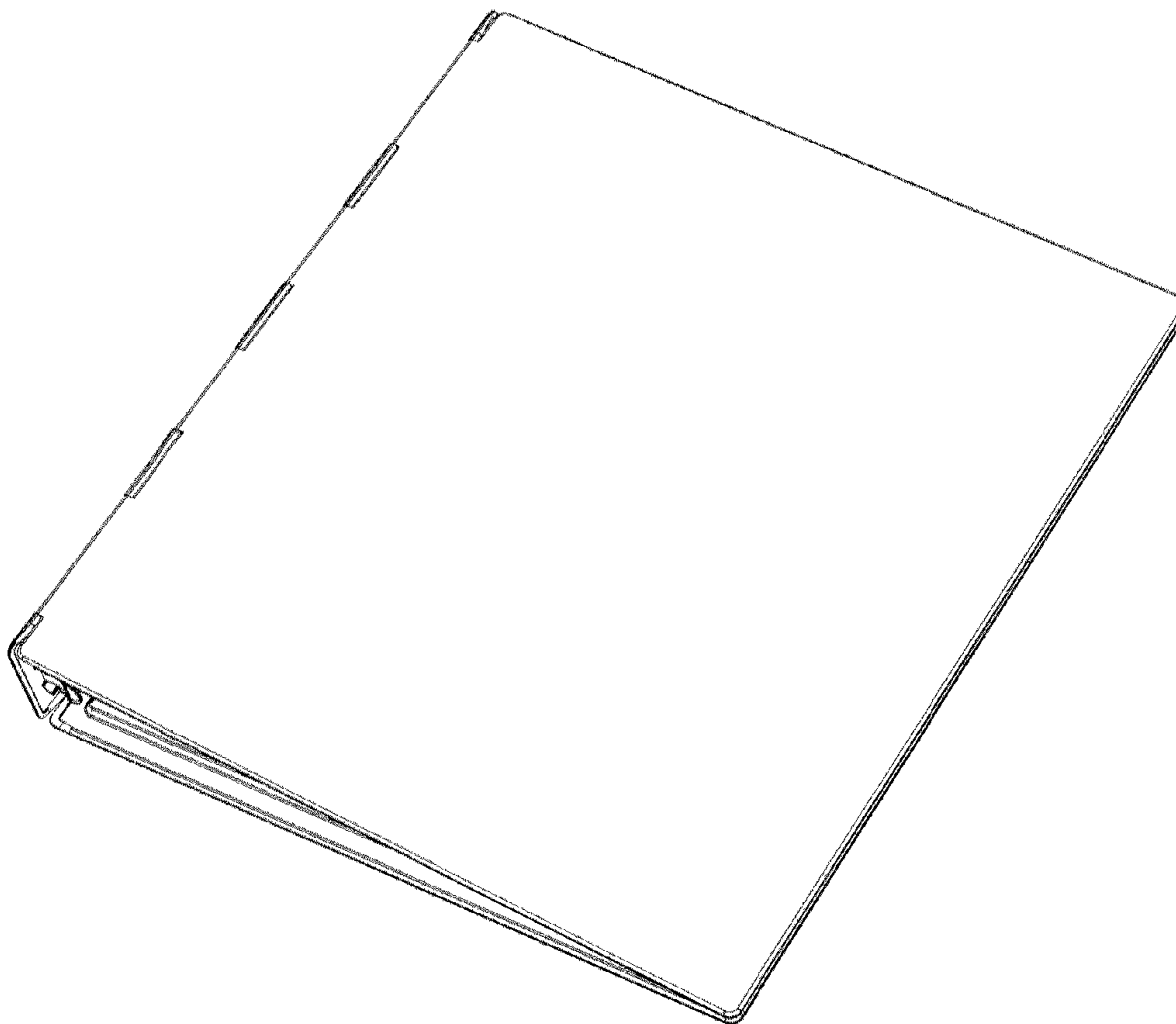
(57) **CLAIM**

The ornamental design for a paper binder, as shown and described.

**DESCRIPTION**

FIG. 1 is a perspective view of a paper binder in a closed position showing my new design;  
FIG. 2 is a side view thereof;  
FIG. 3 is a top prospective view thereof, showing the paper binder in the open position;  
FIG. 4 is a top plan view thereof in the open position; and,  
FIG. 5 is a bottom view thereof in the open position.

**1 Claim, 5 Drawing Sheets**



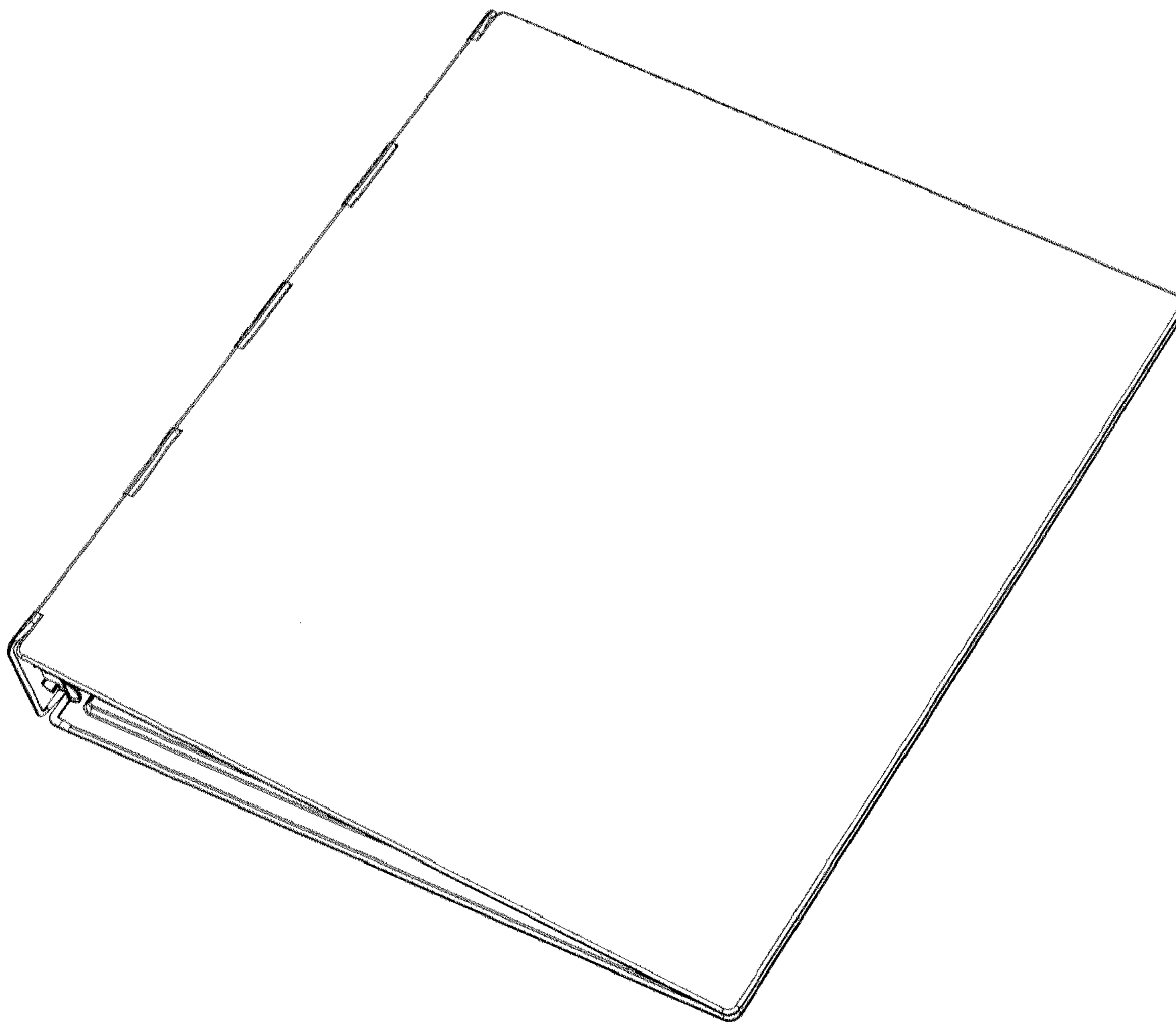


Fig.1

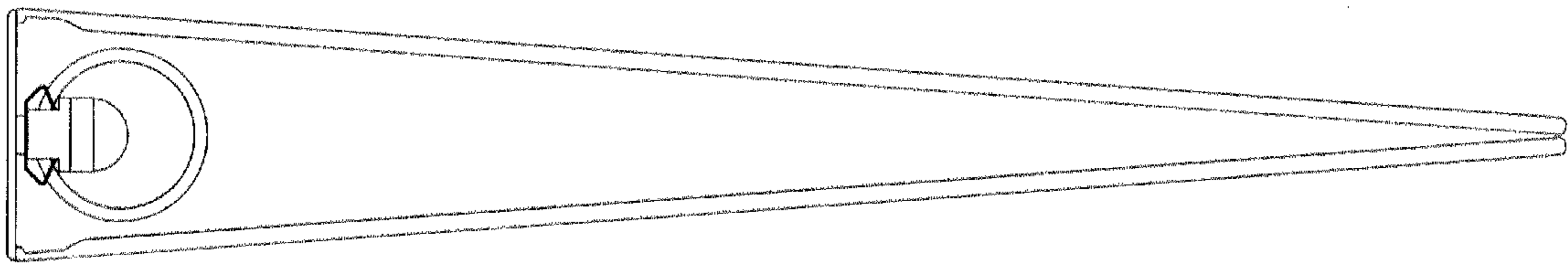


Fig.2

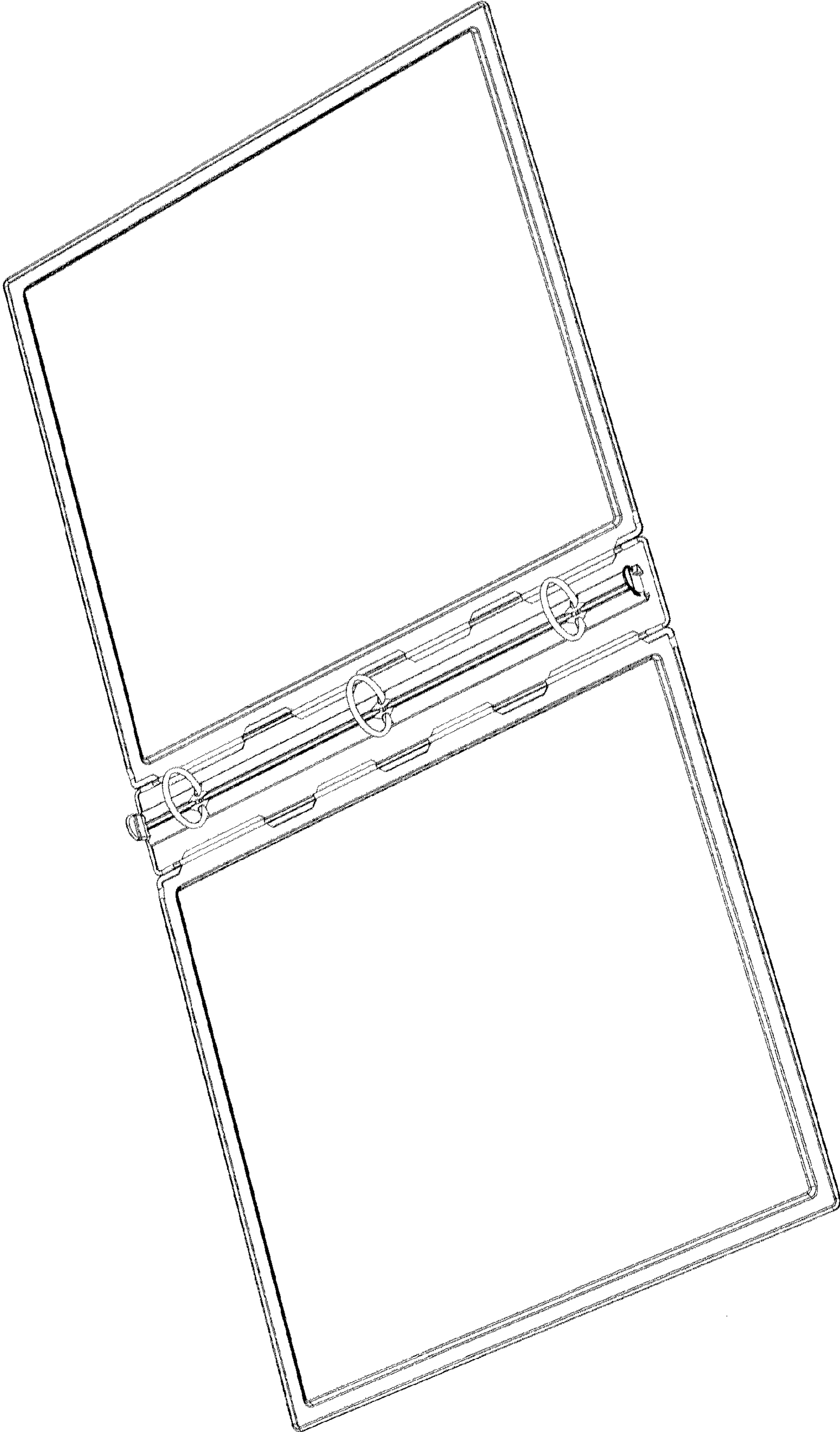


Fig.3



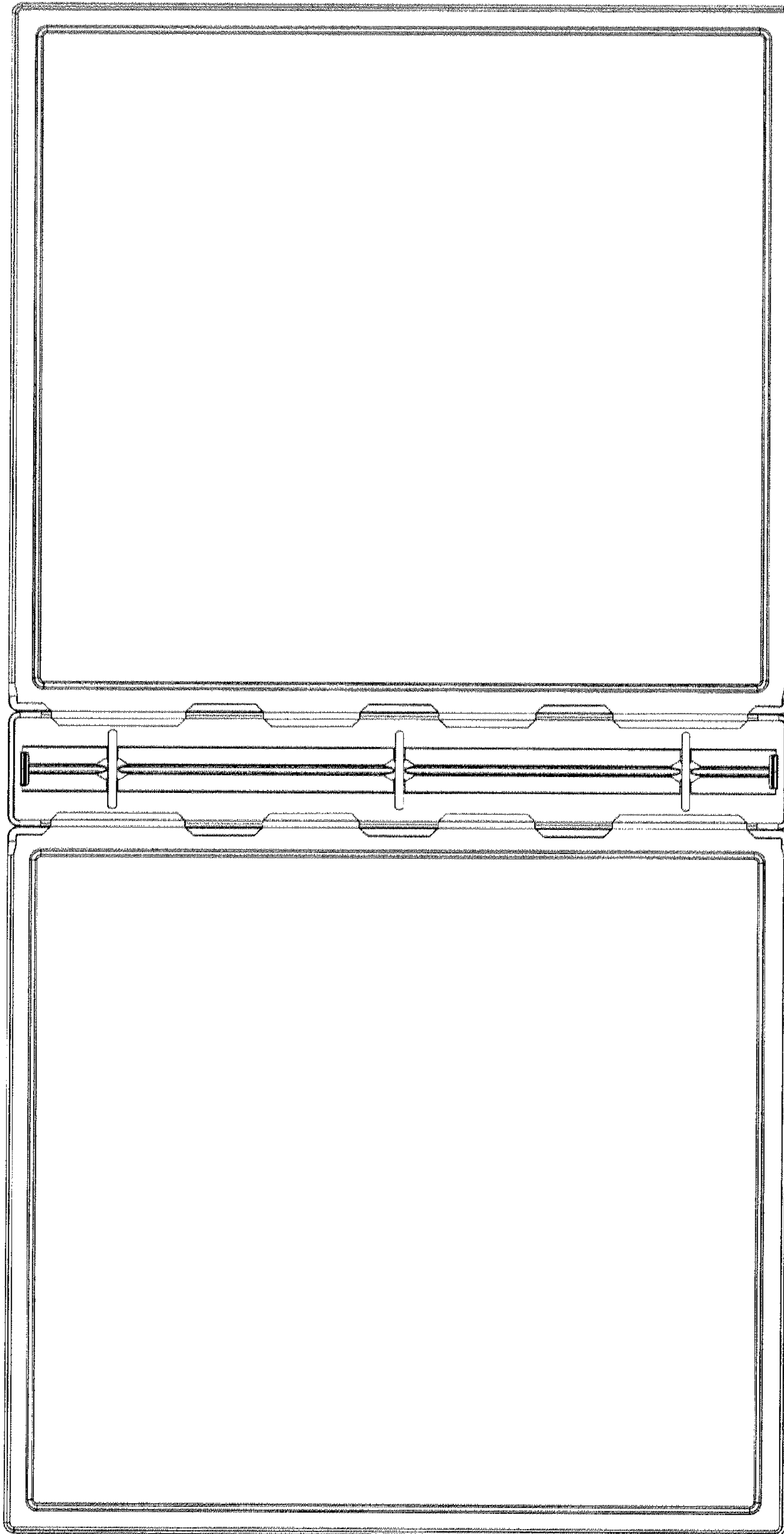


Fig.4

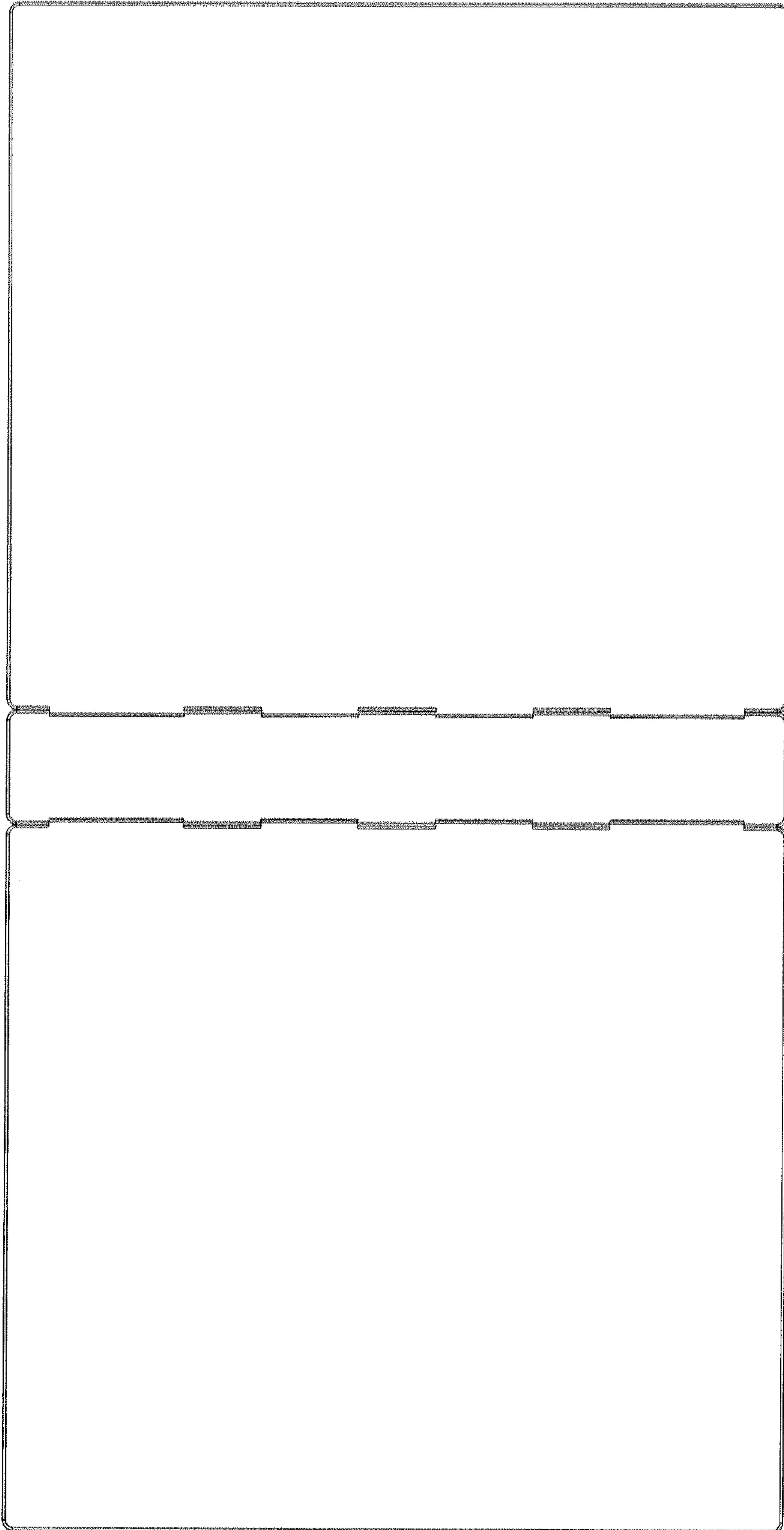


Fig.5