



US00D656188S

(12) **United States Design Patent**
Kent et al.

(10) **Patent No.:** **US D656,188 S**
(45) **Date of Patent:** **** Mar. 20, 2012**

- (54) **BINDER**
- (75) Inventors: **Michael Kent**, Cumberland, RI (US);
Jean Marie Gibson, Westborough, MA
(US); **Kenneth Zins**, Fitchburg, MA
(US); **Chad Kendall**, Peabody, MA (US)
- (73) Assignee: **Staples The Office Superstore, LLC**,
Framingham, MA (US)
- (**) Term: **14 Years**
- (21) Appl. No.: **29/320,883**
- (22) Filed: **Jul. 7, 2008**
- (51) **LOC (9) Cl.** **19-04**
- (52) **U.S. Cl.** **D19/27**
- (58) **Field of Classification Search** D9/423;
D6/632, 626, 407; D3/301-303; D19/26-32,
D19/90; 402/73; 281/4, 37, 31, 29
See application file for complete search history.

- 4,138,143 A 2/1979 Lawes
- 4,164,085 A 8/1979 Steeb et al.
- 4,172,332 A 10/1979 Holes et al.
- 4,190,374 A 2/1980 Lindell
- 4,202,642 A 5/1980 Sjöstedt
- 4,239,411 A 12/1980 Moliard
- 4,240,761 A 12/1980 Jacobson
- 4,295,747 A 10/1981 Errichiello
- 4,315,696 A 2/1982 Ermanski et al.
- 4,378,647 A 4/1983 Stancato
- 4,396,209 A 8/1983 Schultz
- 4,397,904 A 8/1983 Hulber et al.
- 4,435,464 A 3/1984 Hulber et al.
- 4,482,417 A 11/1984 Hulber et al.
- 4,483,637 A 11/1984 Updegrave et al.
- 4,531,765 A 7/1985 Shulman
- 4,544,123 A 10/1985 Peacock
- 4,583,877 A 4/1986 Wilson
- 4,588,209 A 5/1986 Zebrowski et al.

(Continued)

Primary Examiner — Michael Pratt
(74) *Attorney, Agent, or Firm* — Wolf, Greenfield & Sacks,
P.C.

(56) **References Cited**

U.S. PATENT DOCUMENTS

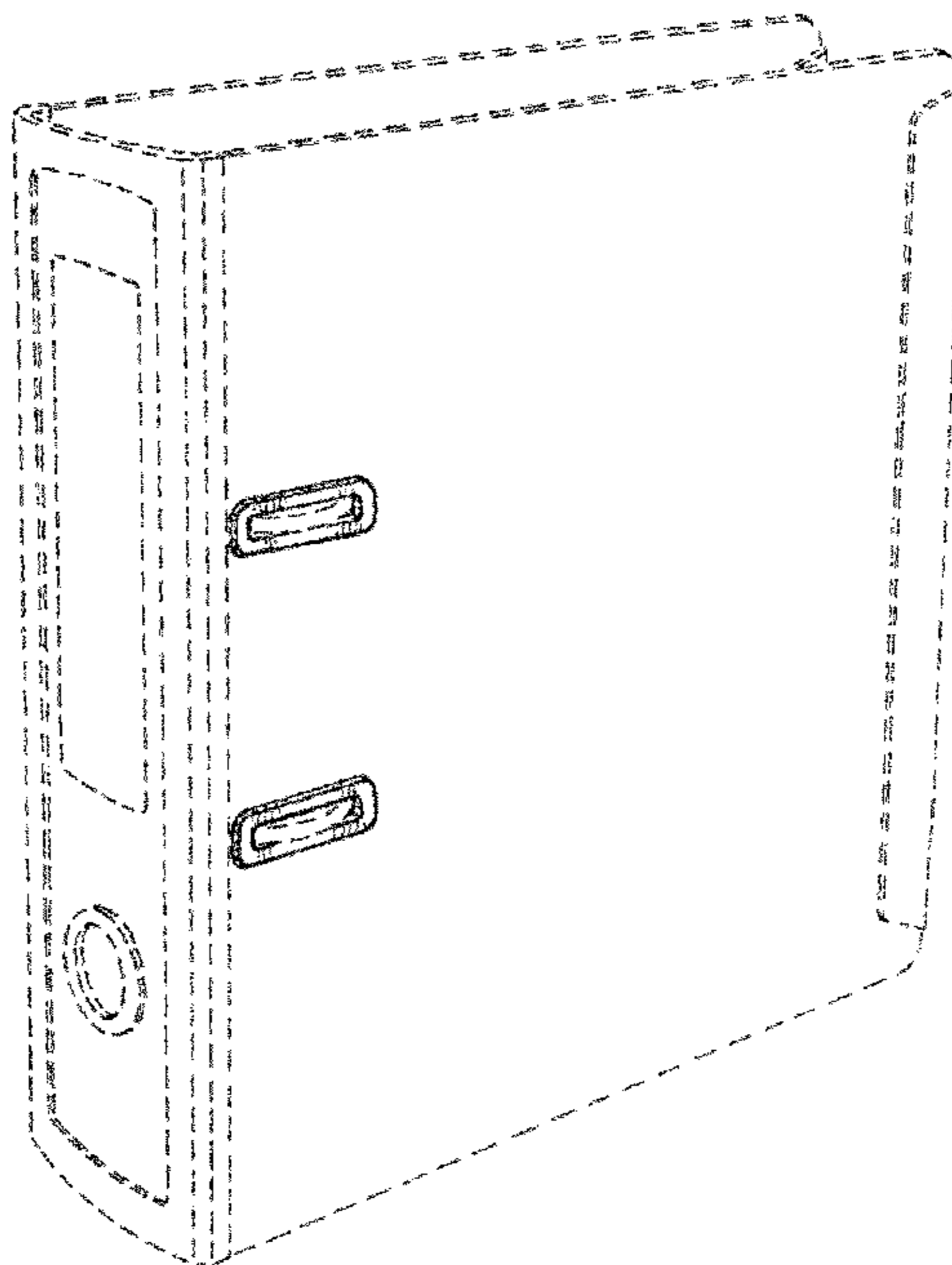
- 1,887,530 A 11/1932 Trussell
- 2,544,566 A 3/1951 Rose
- 3,572,957 A 3/1971 Strassberg
- 3,663,041 A 5/1972 White
- 3,771,890 A 11/1973 Notto
- 3,807,883 A 4/1974 Karlsson
- 3,814,527 A 6/1974 Lawes
- 3,851,194 A * 11/1974 Kawada 310/345
- 3,884,586 A 5/1975 Michaelis
- 4,019,823 A 4/1977 Kleinert et al.
- D247,817 S 5/1978 Hausmann et al.
- 4,129,396 A 12/1978 Stecklow
- 4,136,981 A 1/1979 Stecklow
- 4,137,650 A 2/1979 Hayes

(57) **CLAIM**
The ornamental design for a binder, as shown and described.

DESCRIPTION

FIG. 1 is a front left perspective view of the binder;
FIG. 2 is a left side elevational view of FIG. 1;
FIG. 3 is a front elevational view of FIG. 1;
FIG. 4 is a rear elevational view of FIG. 1;
FIG. 5 is a right side elevational view of FIG. 1; and,
FIG. 6 is a top plan view of FIG. 1, the bottom plan view is a
mirror image thereof.
The broken lines in the figure drawings represent environ-
mental structure and form no part of the claimed design.

1 Claim, 3 Drawing Sheets



US D656,188 S

U.S. PATENT DOCUMENTS							
4,588,321	A	5/1986	Egly	5,762,375	A	6/1998	Kogutt et al.
4,600,346	A	7/1986	Podosek	5,785,445	A	7/1998	Podosek et al.
4,629,349	A	12/1986	Pitts	5,853,259	A	12/1998	Murray, Jr.
4,630,843	A	12/1986	Willat	5,857,797	A	1/1999	Streff et al.
4,640,413	A	2/1987	Kaplan et al.	D405,825	S	2/1999	Karten
4,681,472	A	7/1987	Ruble	5,864,934	A	2/1999	Young
4,722,628	A	2/1988	Rager	D406,602	S	3/1999	Karten
4,750,884	A	6/1988	Bourgeois et al.	D406,603	S	3/1999	Karten
4,795,194	A	1/1989	Etheredge	D407,434	S	3/1999	Moor
4,828,421	A	5/1989	Arakaki	5,876,143	A	3/1999	Ong
4,830,404	A	5/1989	Lu	5,882,038	A	3/1999	Ong
4,831,756	A	5/1989	Huang et al.	5,897,141	A	4/1999	Dugmore et al.
4,832,369	A	5/1989	Johnson et al.	D409,385	S	5/1999	Pearson et al.
4,838,724	A	6/1989	Spence, Jr.	5,944,352	A	8/1999	Crouch et al.
4,848,798	A	7/1989	Moor	D413,922	S	9/1999	Thomas
4,852,909	A	8/1989	Stoyanoff	D413,923	S	9/1999	Brown et al.
4,856,817	A	8/1989	Moor	D413,924	S	9/1999	Bould
4,880,327	A	11/1989	Sanabria	5,951,189	A	9/1999	Winzen
4,886,299	A	12/1989	Ducorday	D414,800	S	10/1999	Wyant
4,890,728	A	1/1990	Grimsley	D414,801	S	10/1999	Karten et al.
4,892,333	A	1/1990	Krulich	D417,890	S	12/1999	Joe et al.
4,896,900	A	1/1990	Hong	6,017,164	A	1/2000	Abbott
4,916,838	A	4/1990	Holson	6,024,508	A	2/2000	Lippeth et al.
4,919,557	A	4/1990	Podosek	6,030,140	A	2/2000	Karten et al.
4,925,328	A	5/1990	Jefferies	D421,460	S	3/2000	Joe et al.
4,934,739	A	6/1990	Stancato	6,045,161	A	4/2000	Ashcraft et al.
4,997,206	A	3/1991	Hong	6,045,880	A	4/2000	Minichiello
4,998,840	A	3/1991	Ruble	6,047,990	A	4/2000	Mogelonsky et al.
D316,872	S	5/1991	Witschi	6,082,771	A	7/2000	Long et al.
5,015,011	A	5/1991	York	6,086,106	A	7/2000	Joe et al.
D317,462	S	6/1991	Sawada et al.	6,109,812	A	8/2000	Welch
5,020,828	A	6/1991	Moor	D435,269	S	12/2000	Karten et al.
5,030,027	A	7/1991	Bachrach et al.	6,186,690	B1	2/2001	Duncan
5,069,568	A	12/1991	Acker	6,205,693	B1	3/2001	Pliler et al.
5,114,009	A	5/1992	Johnston	6,206,602	B1	3/2001	Yamamoto et al.
5,120,149	A	6/1992	Smith	6,213,668	B1	4/2001	Brown et al.
5,154,527	A	10/1992	Blessing	6,213,670	B1	4/2001	Wien
D333,318	S	2/1993	York	6,234,701	B1	5/2001	Karten et al.
5,186,565	A	2/1993	Jack	6,241,414	B1	6/2001	Wien
5,213,368	A	5/1993	Wyant	6,250,834	B1	6/2001	Wien
5,219,437	A	6/1993	Moor et al.	6,290,421	B1	9/2001	Welch
5,222,825	A	6/1993	Wyant	6,296,727	B1	10/2001	Chang et al.
5,240,340	A	8/1993	Lynch et al.	6,302,443	B1	10/2001	Ashcraft et al.
5,265,359	A	11/1993	Glazer et al.	6,305,714	B1	10/2001	Rossetto et al.
D347,022	S	5/1994	Schattner	6,332,630	B1	12/2001	Wolff et al.
5,330,279	A	7/1994	Ruble	6,357,952	B1	3/2002	McKeown
5,330,281	A	7/1994	Kalan	6,361,236	B1	3/2002	Podosek
5,340,155	A	8/1994	Podosek	6,364,559	B2	4/2002	Brown et al.
D350,983	S	9/1994	Penniman	6,367,842	B1	4/2002	Wien et al.
5,356,155	A	10/1994	Gross	6,368,005	B1	4/2002	Streff et al.
5,368,333	A	11/1994	Arroyo	6,371,679	B1	4/2002	Peleman
5,395,137	A	3/1995	Kim	6,375,604	B1	4/2002	Verhines
5,411,293	A	5/1995	Monzyk	6,453,592	B1	9/2002	Pliler et al.
5,413,215	A	5/1995	Hardinger, Jr.	6,481,572	B2	11/2002	Wien et al.
5,431,449	A	7/1995	Arimoto et al.	6,488,433	B2	12/2002	Wien et al.
5,437,514	A	8/1995	Minch	6,550,812	B1	4/2003	Castillo et al.
5,441,229	A	8/1995	Spagnoli	D476,682	S	7/2003	Berry et al.
5,441,357	A	8/1995	Wilson	D478,349	S	8/2003	Capaci
5,445,251	A	8/1995	Redwood	6,607,216	B1	8/2003	Stenger et al.
5,445,417	A	8/1995	Bromer et al.	6,644,882	B2	11/2003	Brown et al.
D365,361	S	12/1995	Smith	6,682,247	B1	1/2004	Castillo et al.
5,490,739	A	2/1996	Olson	6,746,171	B2	6/2004	Welch
5,509,746	A	4/1996	Ho	6,761,498	B1	7/2004	Harris, Jr. et al.
5,562,309	A	10/1996	Brink et al.	6,764,242	B1	7/2004	Karten et al.
5,564,623	A	10/1996	Kiley	6,769,829	B1	8/2004	Castillo et al.
5,597,256	A	1/1997	Burton et al.	6,854,915	B1	2/2005	Ong
5,605,354	A	2/1997	Kwon	6,902,340	B2	6/2005	Harris, Jr. et al.
5,607,246	A	3/1997	Podosek	2001/0009631	A1	7/2001	Brown et al.
5,618,061	A	4/1997	Ritterling	2002/0098031	A1	7/2002	Brown et al.
5,620,207	A	4/1997	Podosek et al.	2002/0159816	A1	10/2002	Gagnon et al.
5,620,271	A	4/1997	Bergh et al.	2003/0035932	A1	2/2003	Yamamoto et al.
5,622,386	A	4/1997	Young	2003/0044222	A1	3/2003	Dahlke et al.
5,651,628	A	7/1997	Bankes et al.	2003/0155761	A1	8/2003	Stenger et al.
5,660,514	A	8/1997	Wilson	2003/0157472	A1	8/2003	Castillo et al.
5,683,111	A	11/1997	Bass et al.	2004/0066031	A1	4/2004	Wong et al.
5,692,849	A	* 12/1997	Kiyomi 402/73	2004/0164543	A1	8/2004	Yamamoto et al.
5,711,627	A	1/1998	Chapman	2004/0170468	A1	9/2004	Chizmar
5,720,564	A	2/1998	Winzen	2004/0197131	A1	10/2004	Harris, Jr. et al.
				2004/0208685	A1	10/2004	Peters, Jr.

US D656,188 S

Page 3

2005/0053417 A1 3/2005 Yamamoto et al.
2005/0058502 A1 3/2005 Ben-Or
2005/0105960 A1 5/2005 Wehmeyer
2005/0117964 A1 6/2005 Johnson et al.

2005/0179247 A1 8/2005 Hough et al.
2006/0055167 A1 3/2006 Pellman et al.
2007/0160417 A1 7/2007 Petrie et al.
* cited by examiner

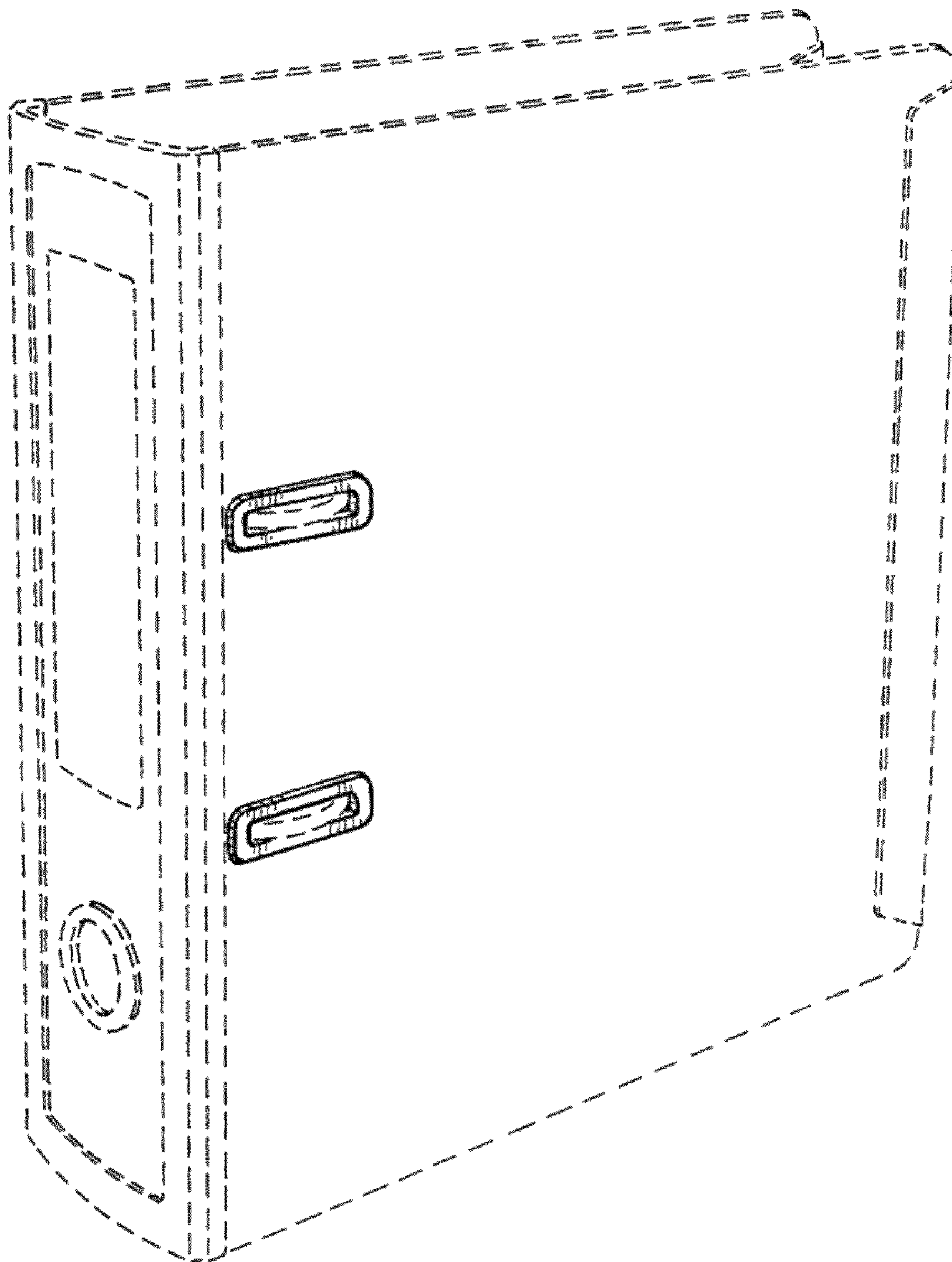


Fig. 1

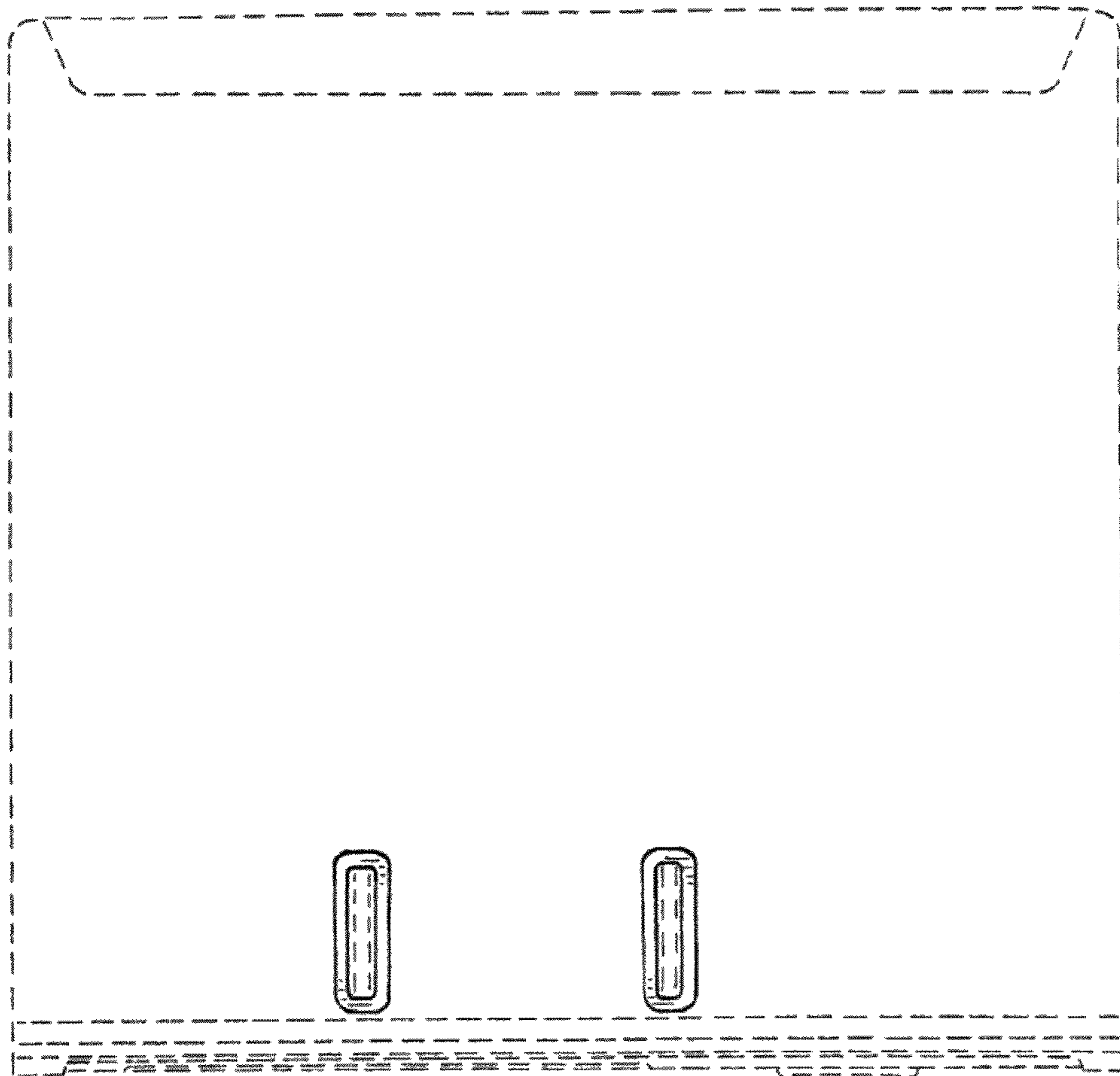


Fig. 3

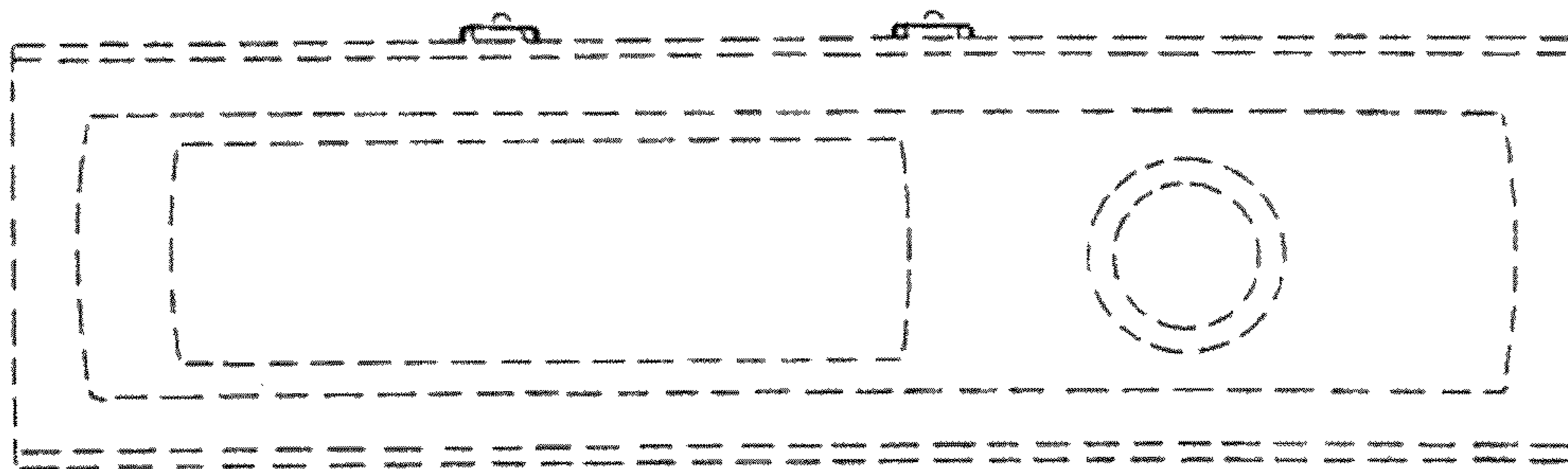


Fig. 2

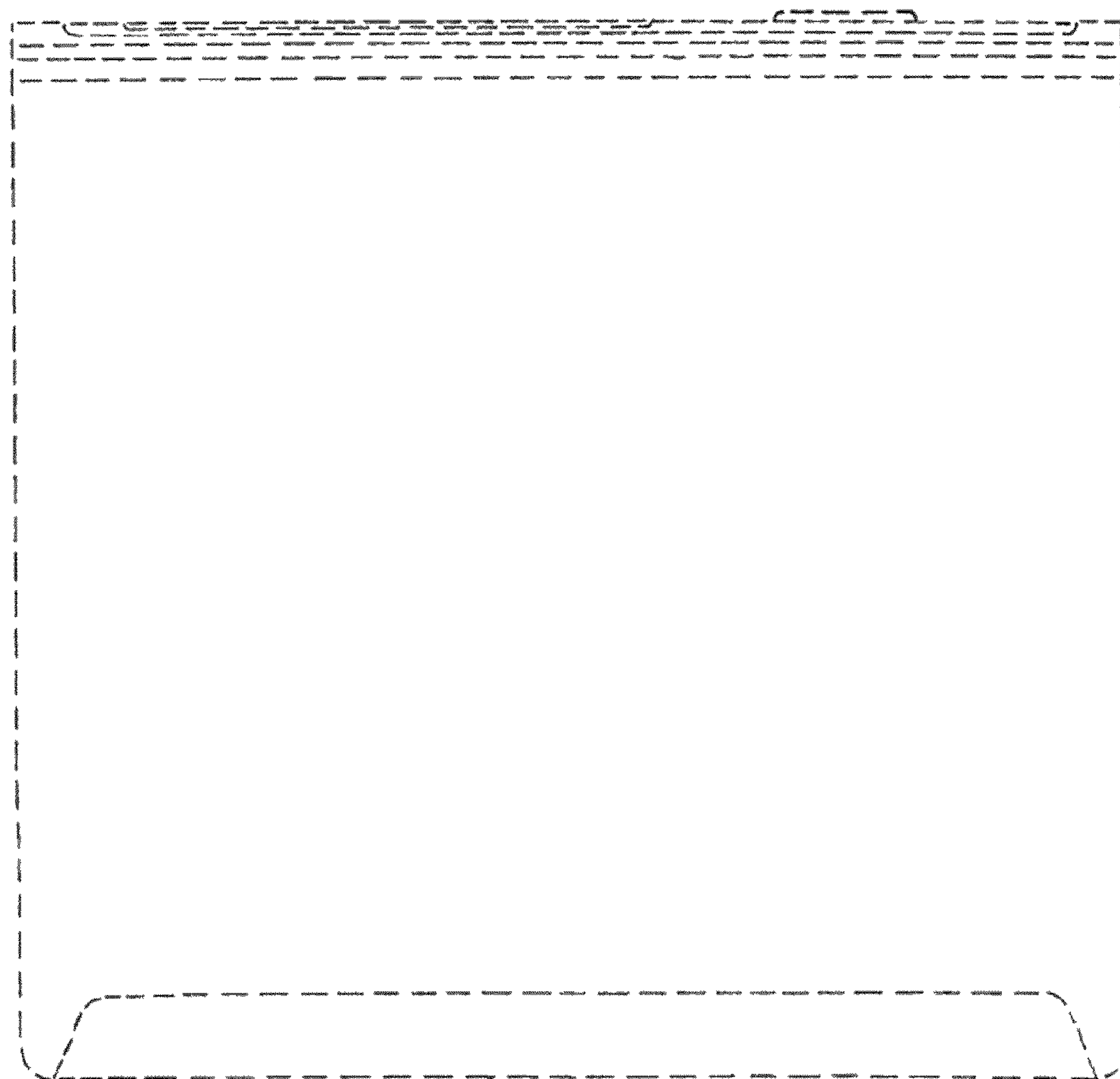


Fig. 4

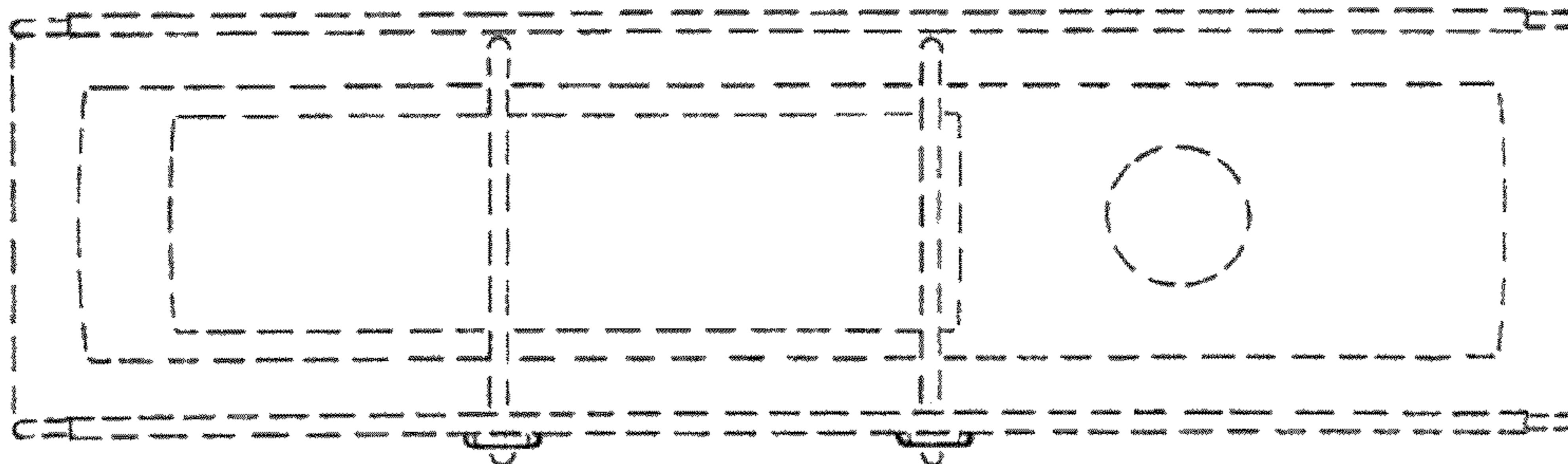


Fig. 5



Fig. 6