



US00D656185S

(12) **United States Design Patent**
Oya et al.

(10) **Patent No.:** **US D656,185 S**
(45) **Date of Patent:** **** Mar. 20, 2012**

(54) **INK CARTRIDGE**

(75) Inventors: **Shun Oya**, Matsumoto (JP); **Yoshihiro Koizumi**, Shiojiri (JP)

(73) Assignee: **Seiko Epson Corporation**, Tokyo (JP)

(**) Term: **14 Years**

(21) Appl. No.: **29/387,068**

(22) Filed: **Mar. 9, 2011**

(30) **Foreign Application Priority Data**

Jan. 12, 2011 (JP) 2011-000458

(51) **LOC (9) Cl.** **18-02**

(52) **U.S. Cl.** **D18/56**

(58) **Field of Classification Search** D18/56;
347/86-87

See application file for complete search history.

(56) **References Cited**

U.S. PATENT DOCUMENTS

D477,020 S *	7/2003	Seino	D18/56
D489,757 S *	5/2004	Matsumoto	D18/56
D529,954 S *	10/2006	Matsumoto	D18/56
D538,338 S *	3/2007	Matsumoto	D18/56
D584,768 S	1/2009	Ishizawa	
D585,090 S *	1/2009	Ishizawa	D18/56
D585,488 S	1/2009	Nozawa et al.	
D586,849 S *	2/2009	Nozawa et al.	D18/56

D591,340 S	4/2009	Nozawa et al.	
D591,791 S *	5/2009	Matsumoto D18/56
D591,792 S	5/2009	Nozawa et al.	
D592,241 S *	5/2009	Nozawa et al. D18/56
2005/0036015 A1 *	2/2005	Seino et al. 347/86

* cited by examiner

Primary Examiner — Cathy A MacCormac

(57) **CLAIM**

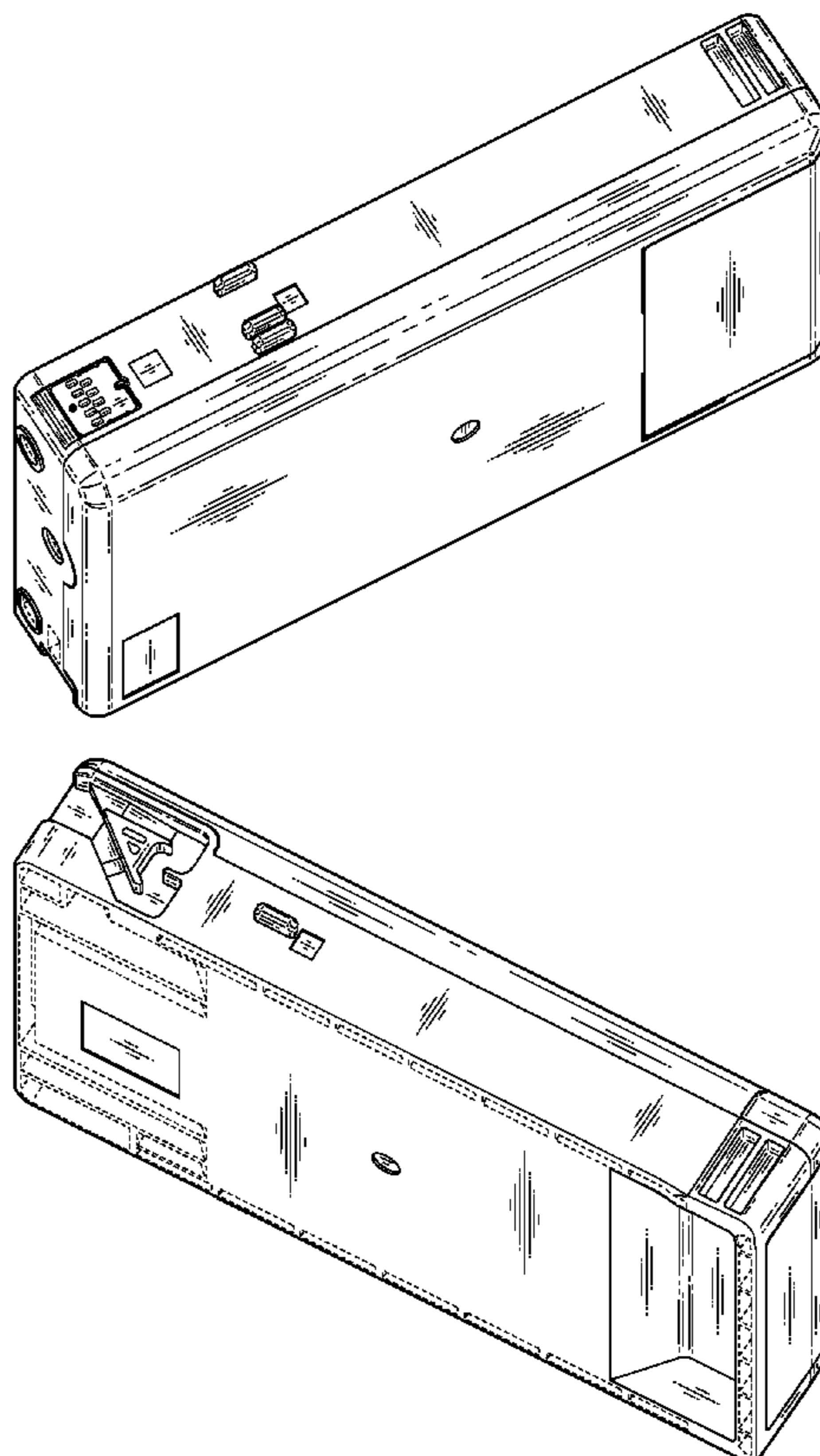
The ornamental design for an ink cartridge, as shown and described.

DESCRIPTION

FIG. 1 is a front, top and left side perspective view of an ink cartridge showing our new design;
FIG. 2 is a rear, bottom and right side perspective view thereof;
FIG. 3 is a front view thereof;
FIG. 4 is a rear view thereof;
FIG. 5 is a left side elevational view thereof;
FIG. 6 is a right side elevational view thereof;
FIG. 7 is a top plan view thereof; and,
FIG. 8 is a bottom plan view thereof.

The broken lines inside the three recesses in FIGS. 1 and 5 represent the boundaries of the claimed design. The remaining broken line in the figures depict environmental subject matter only and form no part of the claimed design.

1 Claim, 4 Drawing Sheets



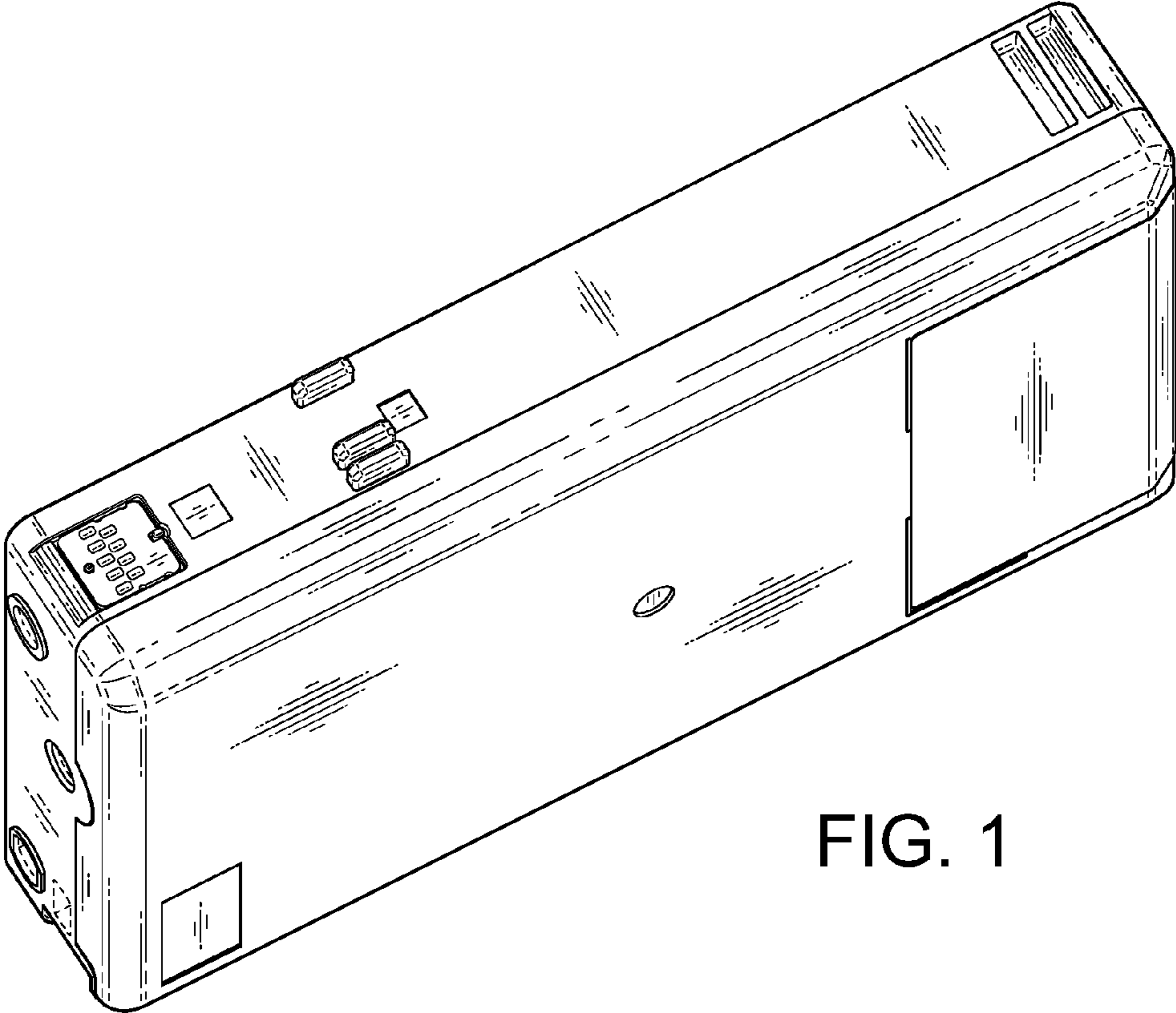


FIG. 1

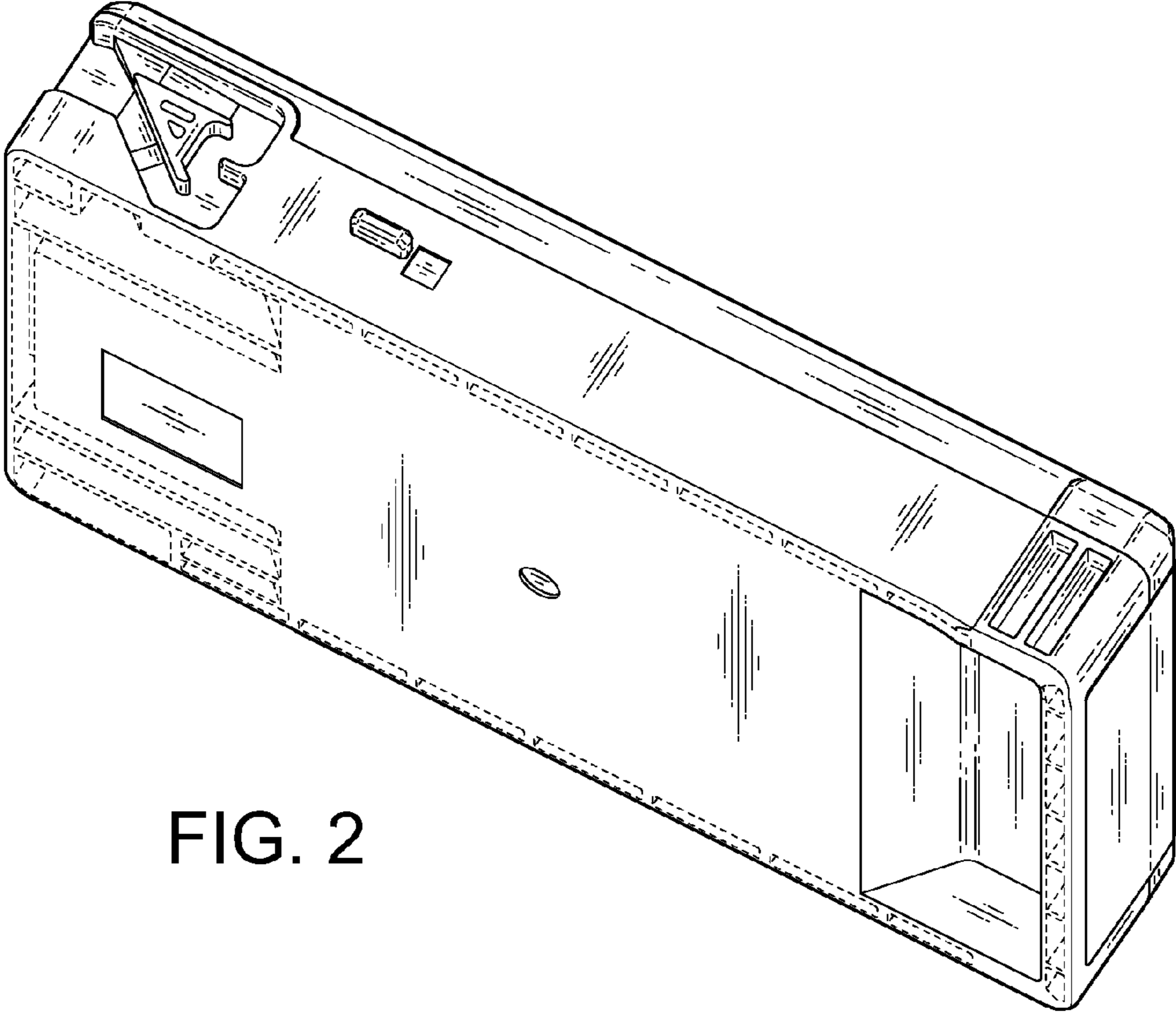


FIG. 2

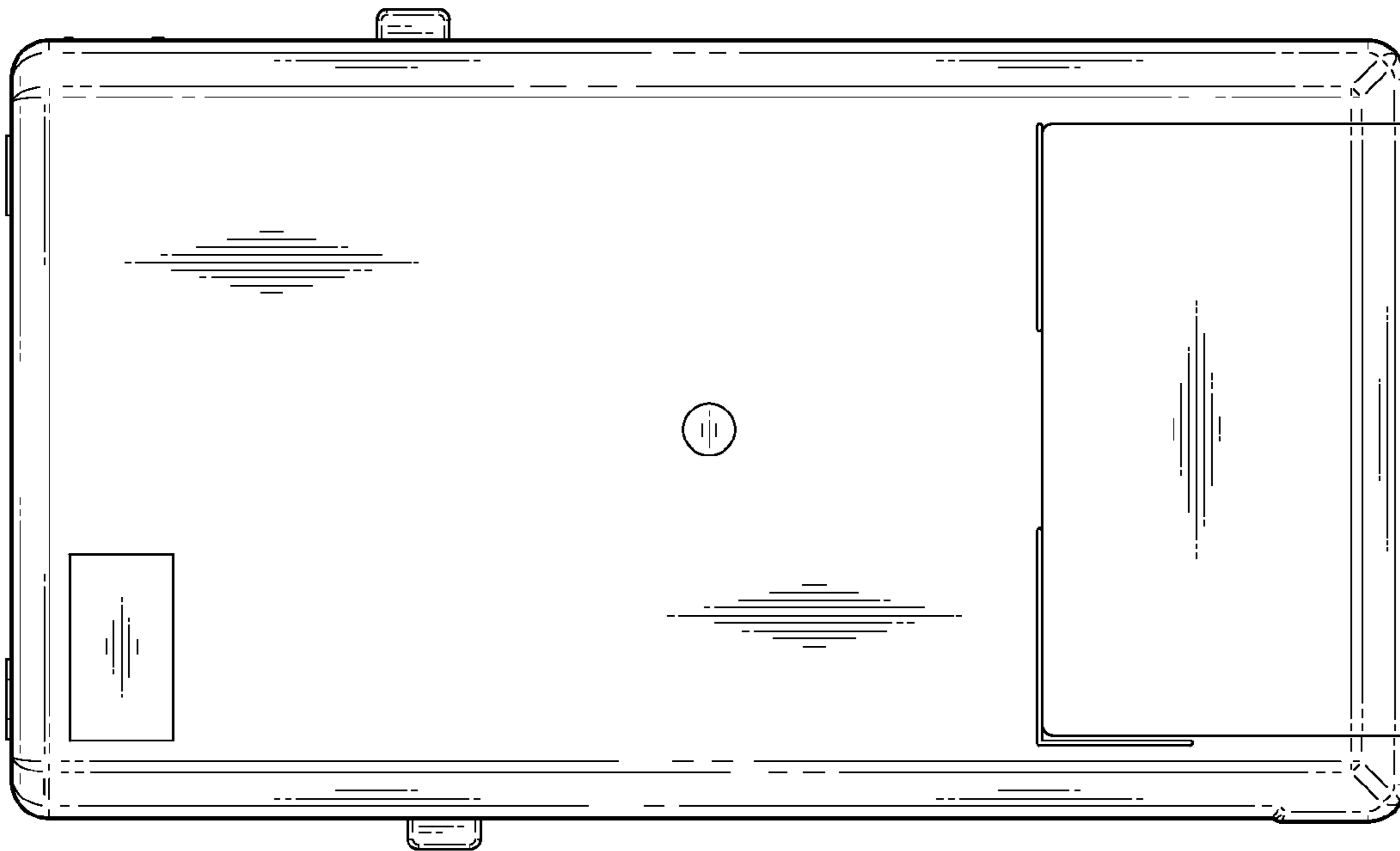


FIG. 3

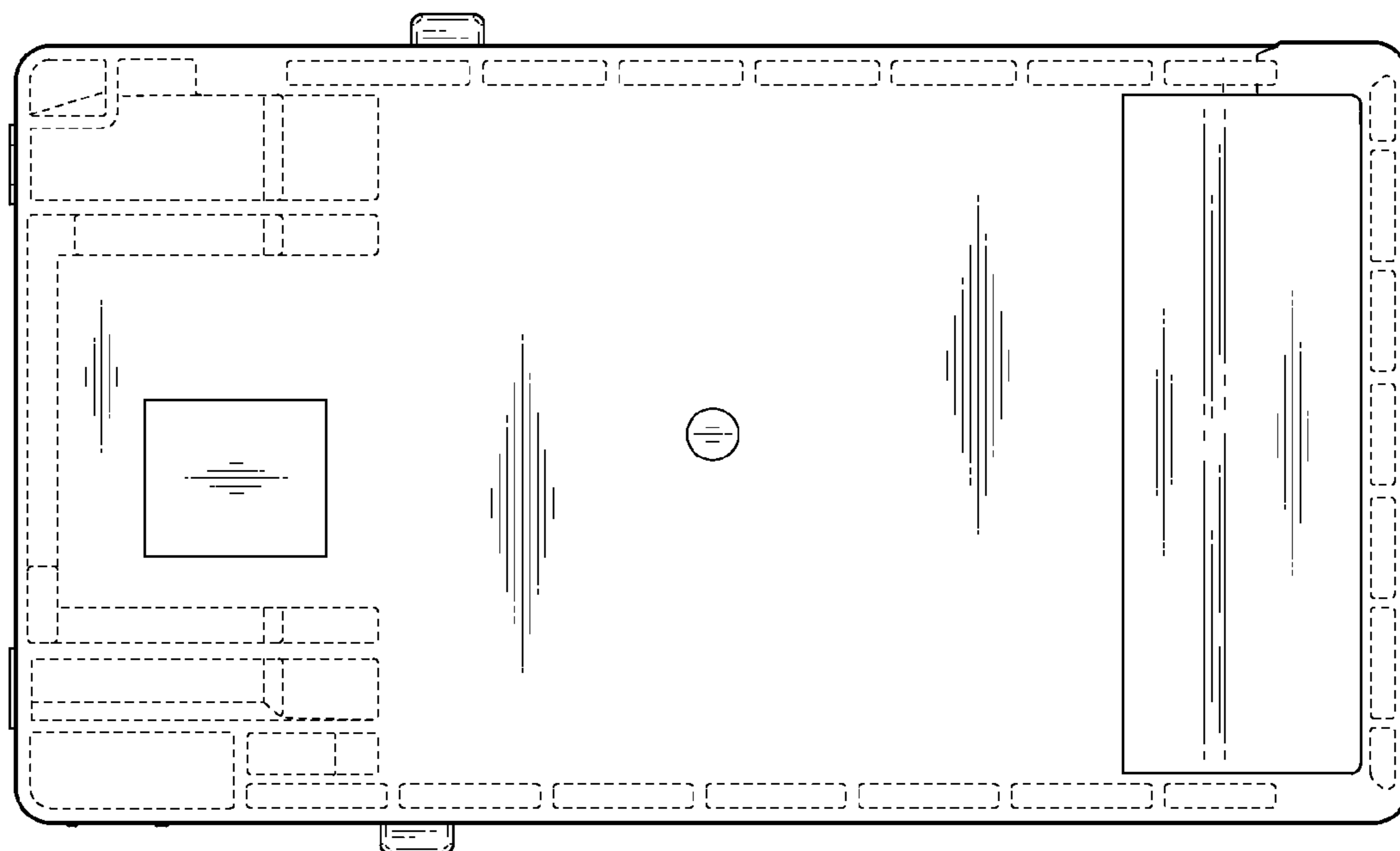


FIG. 4

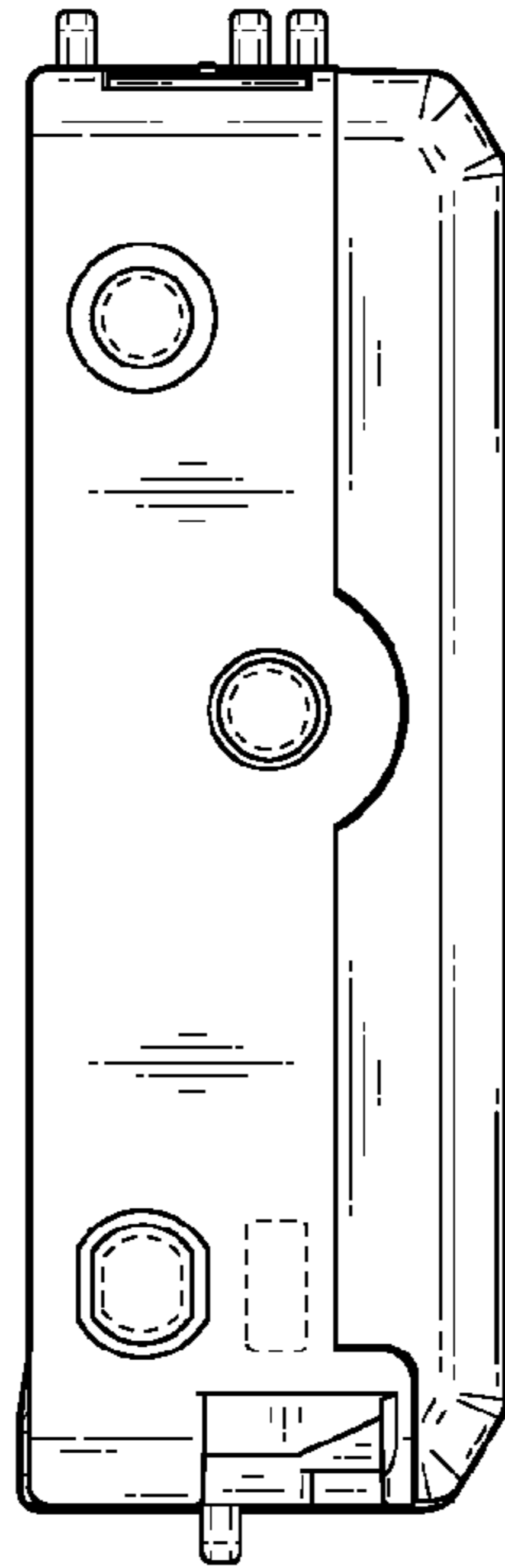


FIG. 5

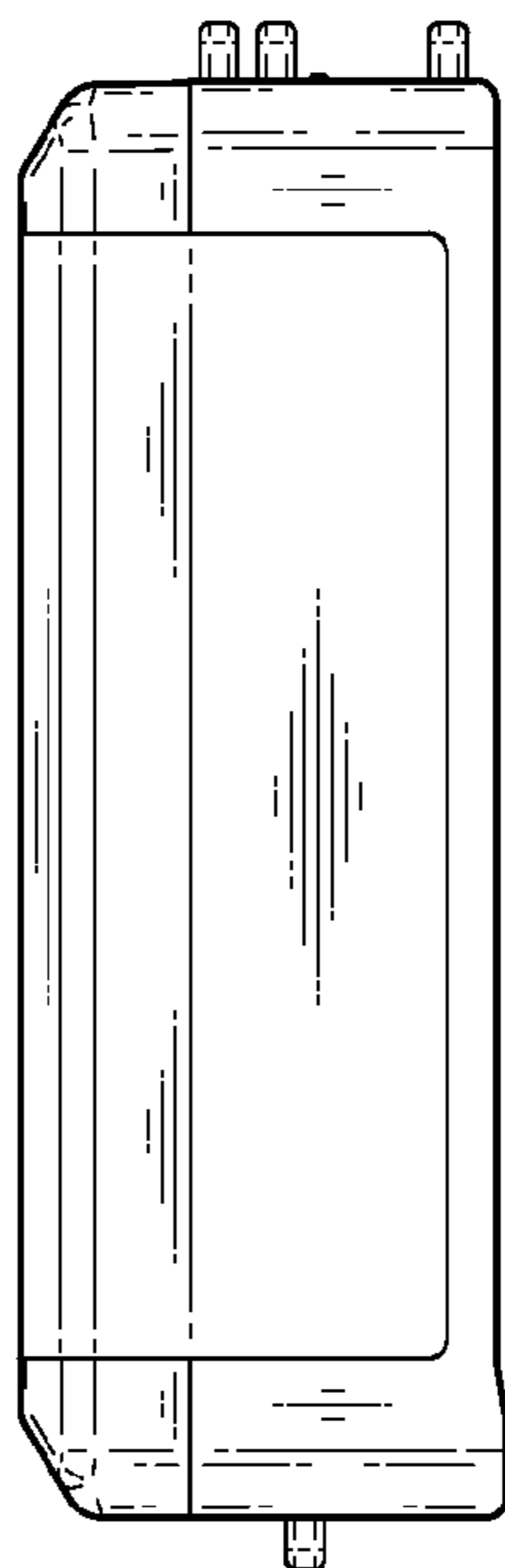


FIG. 6

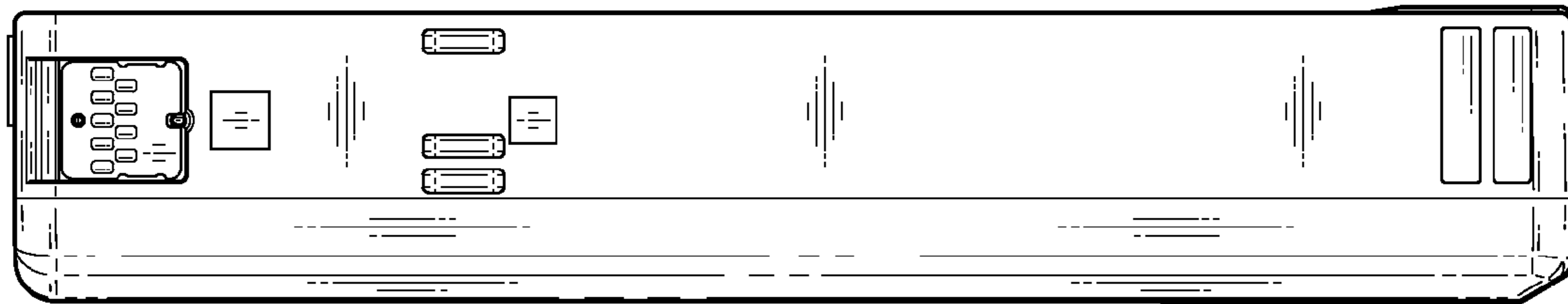


FIG. 7

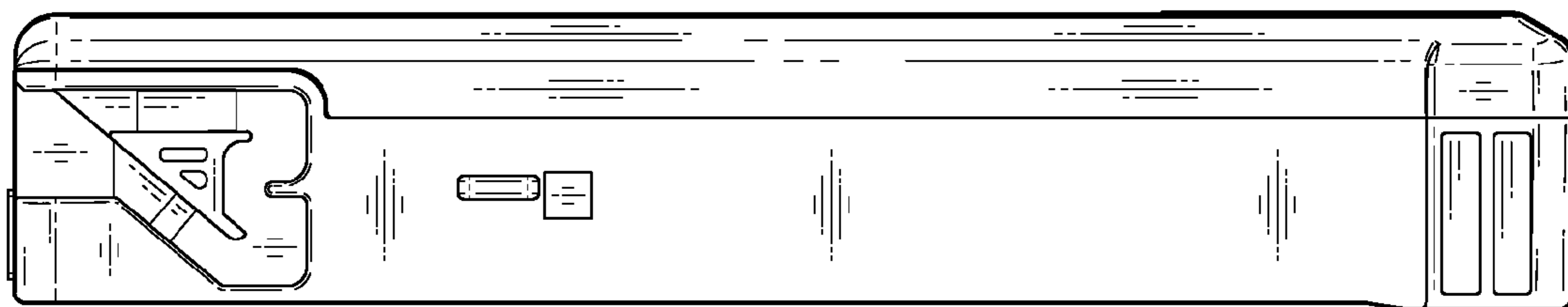


FIG. 8