



US00D656182S

(12) **United States Design Patent**  
**Inada et al.**

(10) **Patent No.:** **US D656,182 S**  
(45) **Date of Patent:** **\*\* Mar. 20, 2012**

(54) **PRINTER CASE**

(75) Inventors: **Toshiya Inada**, Nagoya (JP); **Ryoichi Nakagawa**, Nagoya (JP)

(73) Assignee: **Brother Industries, Ltd.**, Nagoya (JP)

(\*\*) Term: **14 Years**

(21) Appl. No.: **29/383,556**

(22) Filed: **Jan. 19, 2011**

(30) **Foreign Application Priority Data**

Jul. 21, 2010 (JP) ..... 2010-17685

(51) **LOC (9) Cl.** ..... **14-02**

(52) **U.S. Cl.** ..... **D18/50**

(58) **Field of Classification Search** ..... D18/36-37,  
D18/50, 54, 54.1, 55; D14/420-425, 462-470;  
400/613, 613.1-613.4, 690.1-690.4, 691-694  
See application file for complete search history.

(56) **References Cited**

**U.S. PATENT DOCUMENTS**

D311,908 S \* 11/1990 Molyneaux ..... D14/345  
D316,549 S \* 4/1991 Hampf ..... D14/159  
D321,898 S \* 11/1991 Kasee et al. .... D18/55

D331,925 S \* 12/1992 Sawada et al. .... D14/462  
D366,467 S \* 1/1996 Masujima et al. .... D14/425  
D379,826 S \* 6/1997 Portesi ..... D18/50  
D516,120 S \* 2/2006 Yamano et al. .... D18/55  
7,016,183 B2 \* 3/2006 Takemoto et al. .... 400/691  
D544,907 S \* 6/2007 Tjin Wong Joe et al. .... D18/55  
D546,383 S \* 7/2007 Wang ..... D18/50

\* cited by examiner

*Primary Examiner* — Cathy A MacCormac

(74) *Attorney, Agent, or Firm* — Oliff & Berridge, PLC

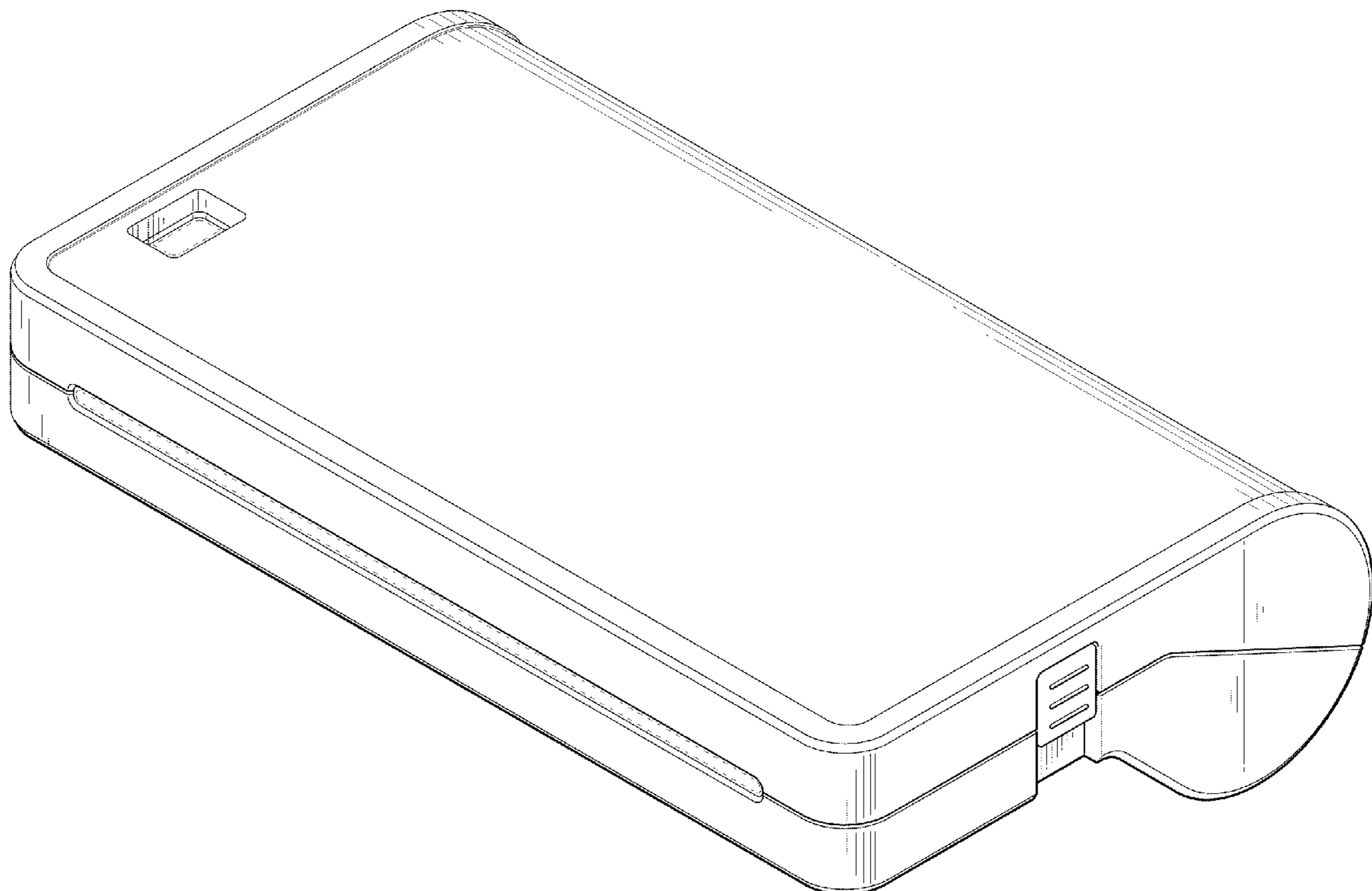
(57) **CLAIM**

The ornamental design for a printer case, as shown and described.

**DESCRIPTION**

FIG. 1 is a perspective view of a printer case;  
FIG. 2 is a front view thereof;  
FIG. 3 is a top view thereof;  
FIG. 4 is a right-side view thereof;  
FIG. 5 is a left-side view thereof;  
FIG. 6 is a rear view thereof;  
FIG. 7 is a bottom view thereof; and,  
FIG. 8 is another perspective view thereof.  
The broken lines depict environmental subject matter only and form no part of the claimed design.

**1 Claim, 7 Drawing Sheets**



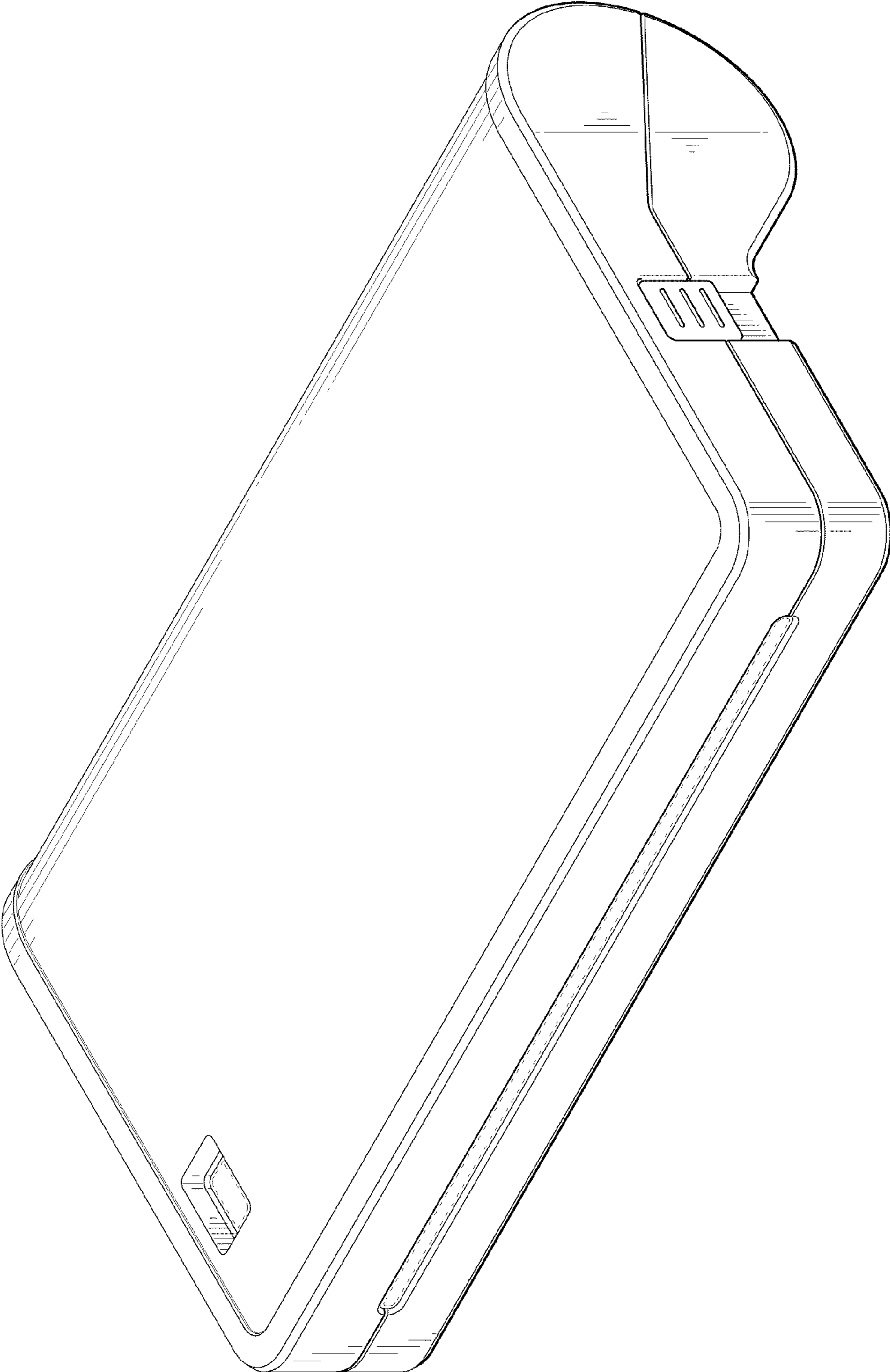


FIG. 1

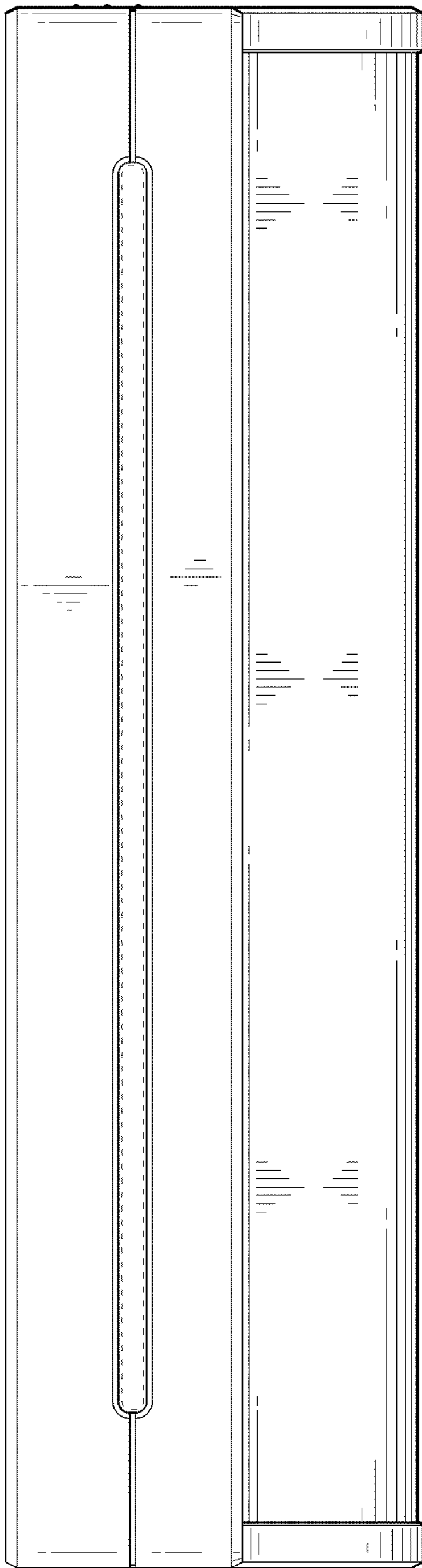


FIG. 2

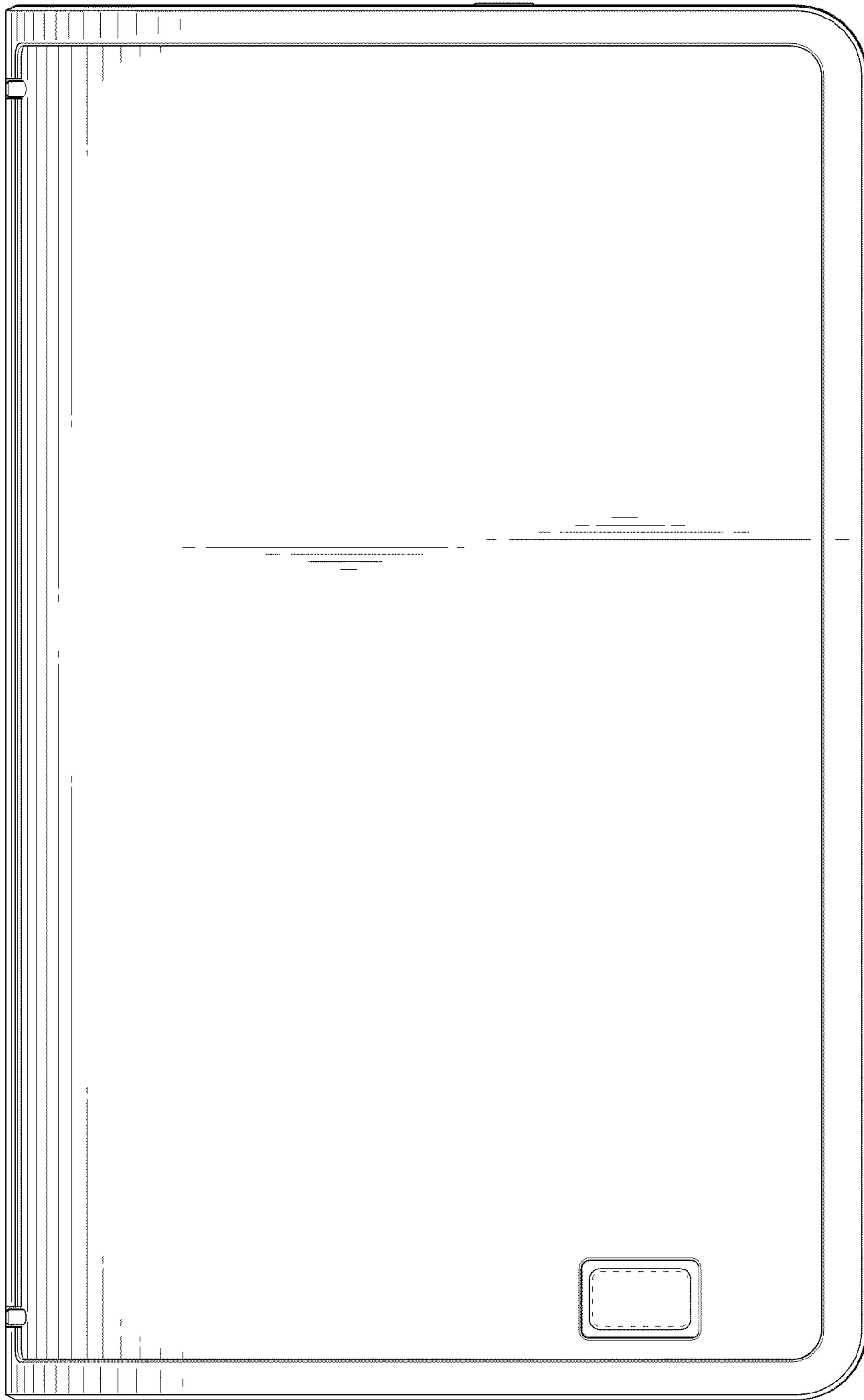


FIG. 3

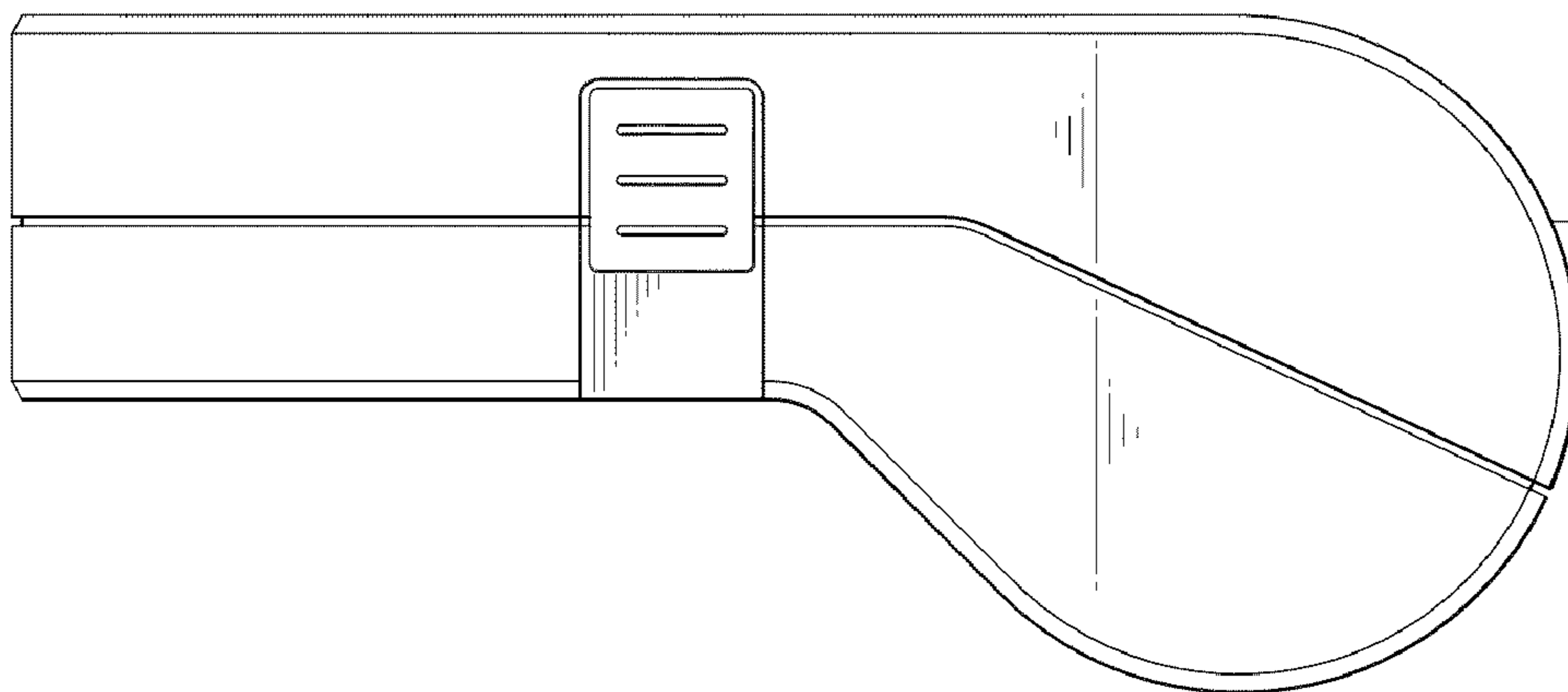


FIG. 4

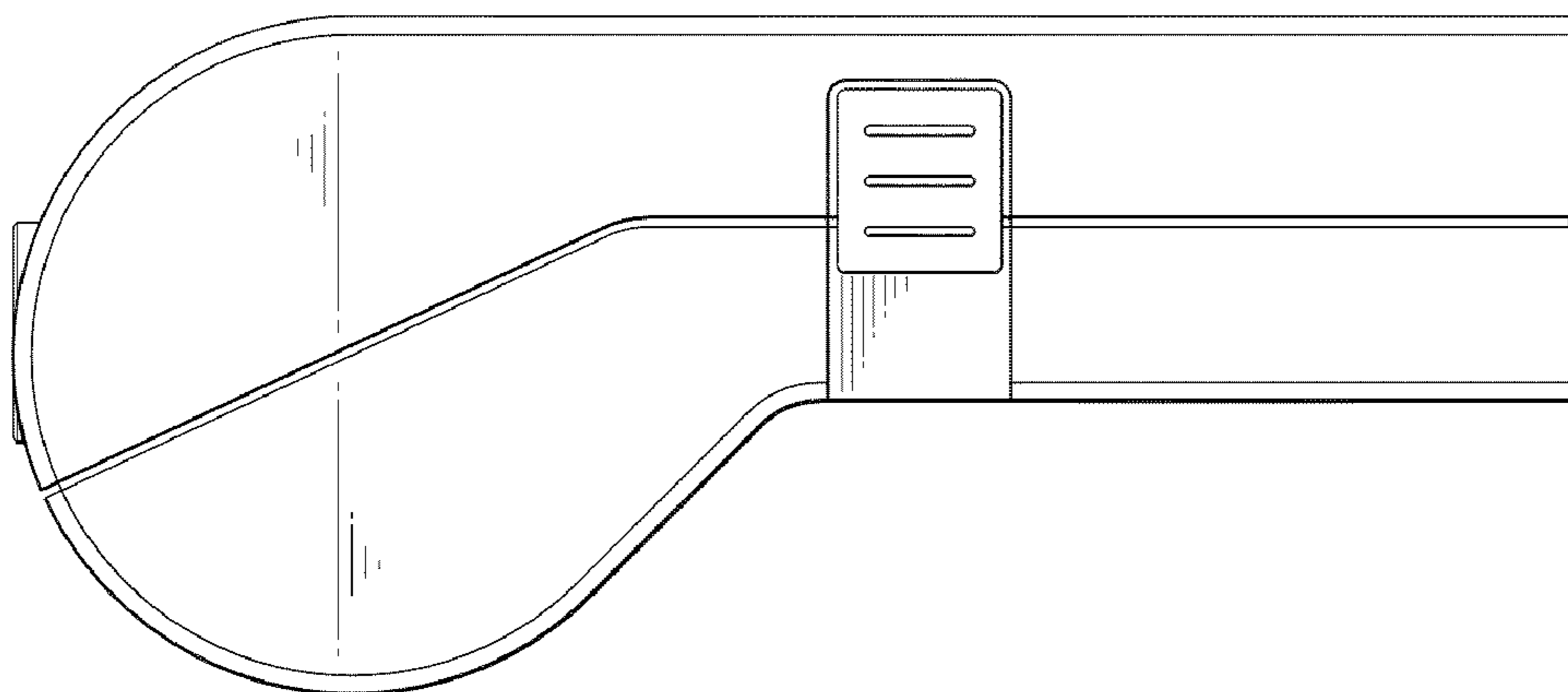


FIG. 5

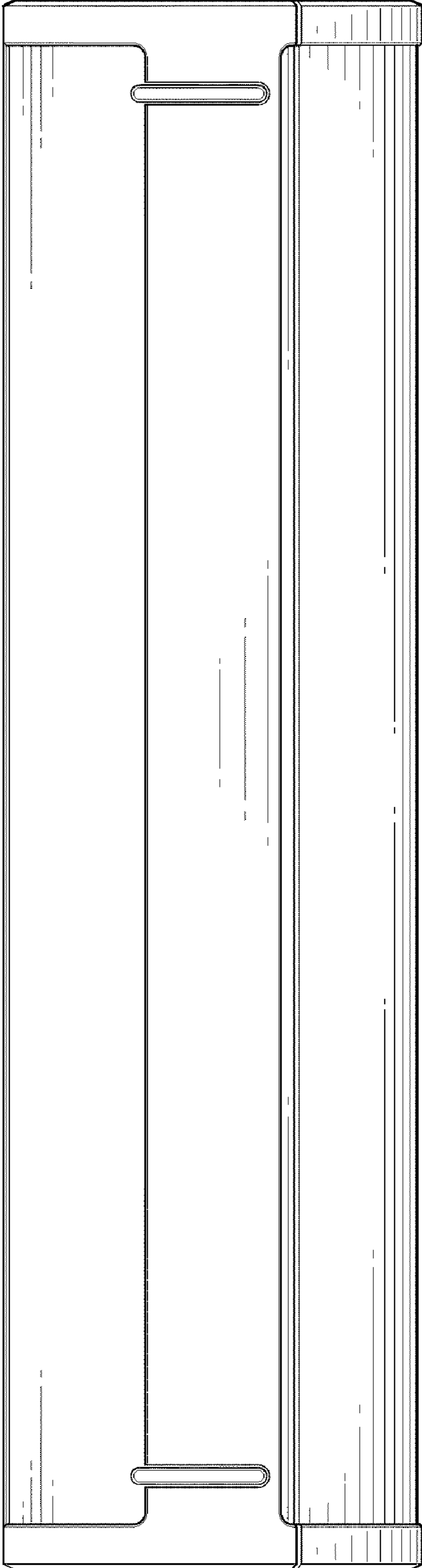


FIG. 6

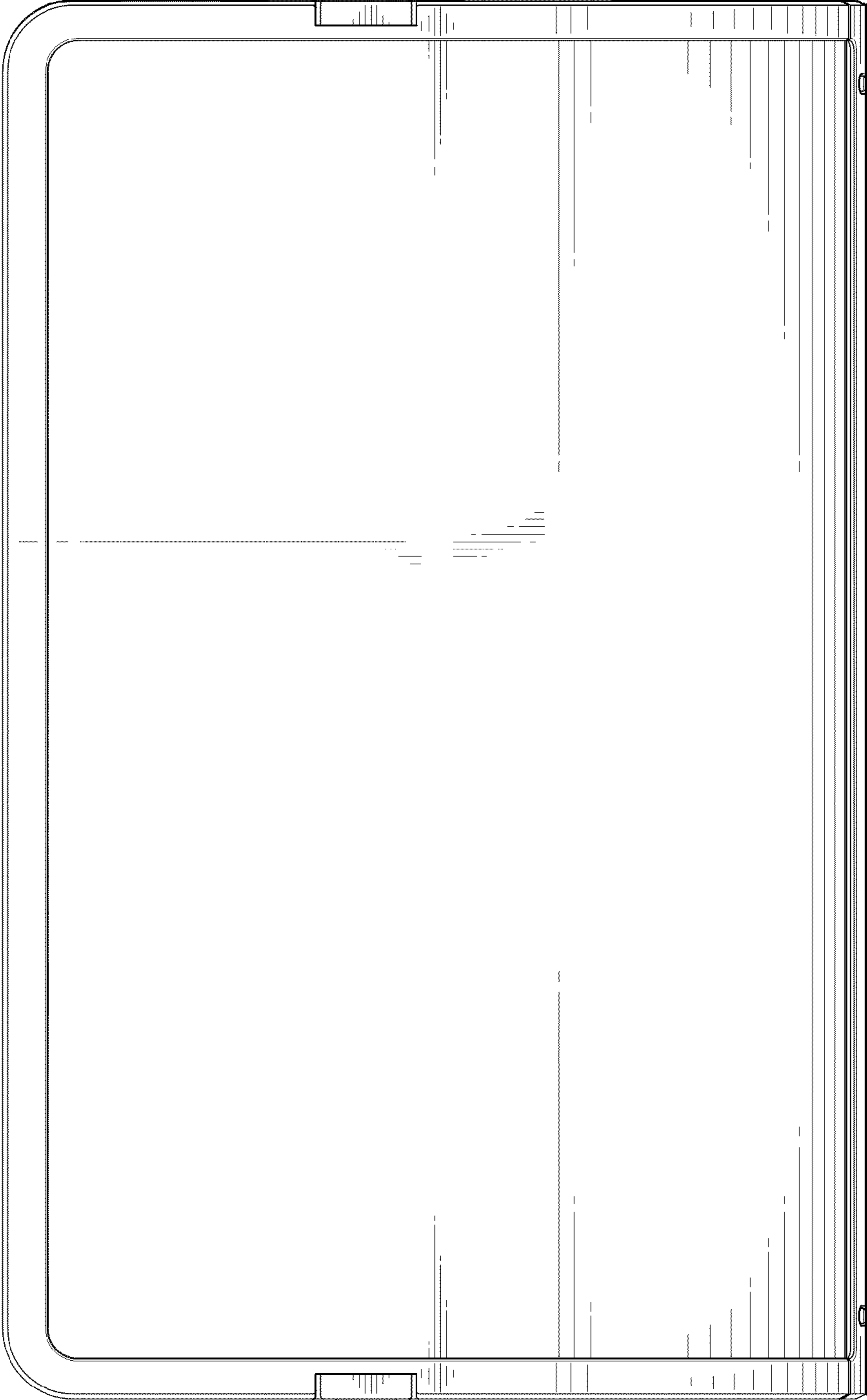


FIG. 7

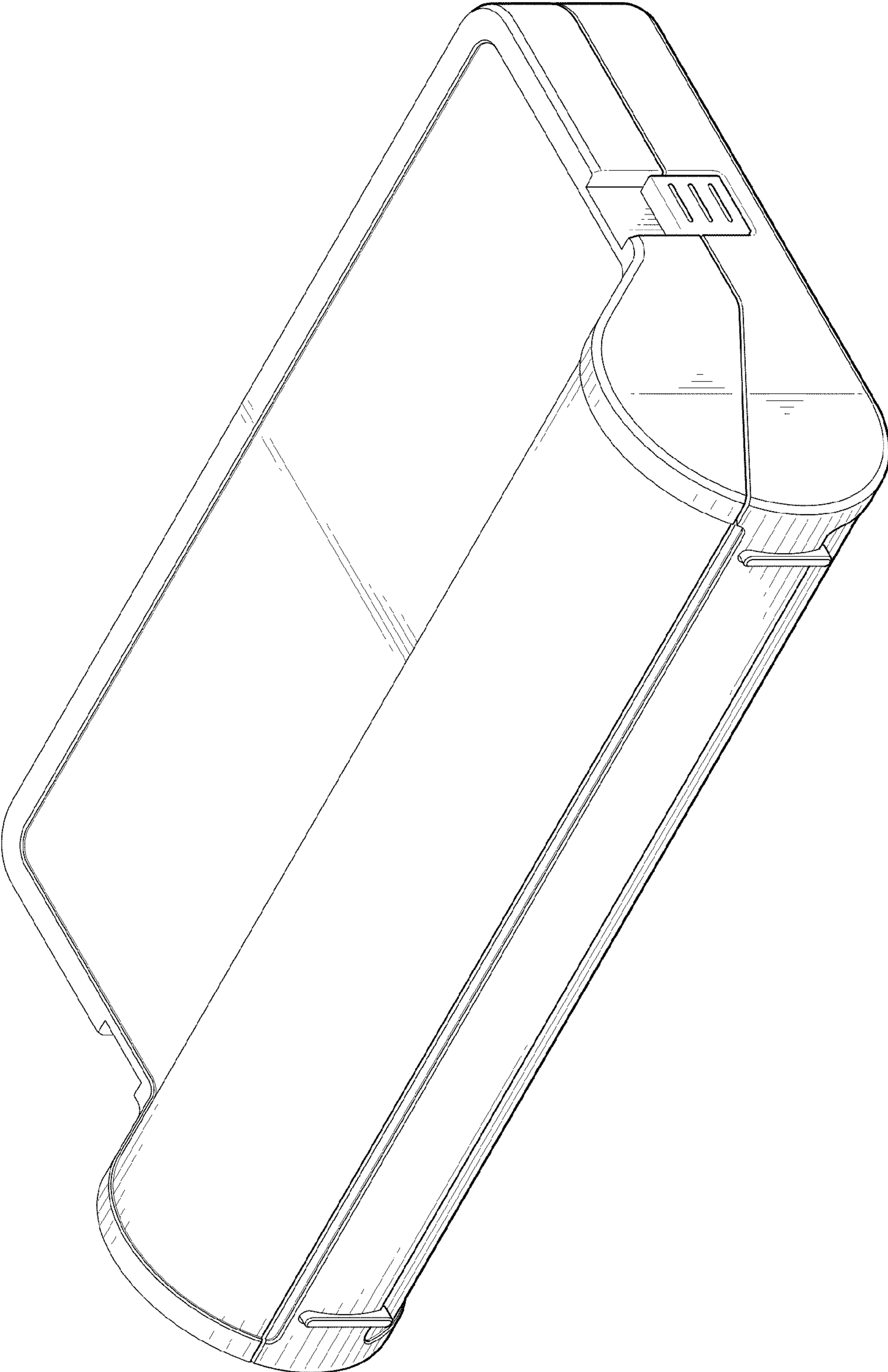


FIG. 8