



US00D656173S

(12) **United States Design Patent**
Morita et al.

(10) **Patent No.:** **US D656,173 S**
(45) **Date of Patent:** **** Mar. 20, 2012**

(54) **PROJECTOR**

(75) Inventors: **Akio Morita**, Tokyo (JP); **Takahisa Yamada**, Tokyo (JP); **Kazuya Inoue**, Tokyo (JP); **Yoshinao Segawa**, Tokyo (JP)

(73) Assignee: **NEC Display Solutions, Ltd**, Tokyo (JP)

(**) Term: **14 Years**

(21) Appl. No.: **29/379,900**

(22) Filed: **Nov. 26, 2010**

(30) **Foreign Application Priority Data**

May 28, 2010 (JP) 2010-013216

(51) **LOC (9) Cl.** **16-02**

(52) **U.S. Cl.** **D16/225; D16/230**

(58) **Field of Classification Search** D16/221,
D16/225, 229, 230-234; D21/514; D14/128-129;
352/34, 242-243; 353/49, 70, 115, 119,
353/122

See application file for complete search history.

(56) **References Cited**

U.S. PATENT DOCUMENTS

D360,426	S	*	7/1995	Maiefski et al.	D16/232
5,639,152	A	*	6/1997	Nelson	353/119
7,445,342	B2	*	11/2008	Garg	353/119
D627,386	S	*	11/2010	Kawaguchi et al.	D16/229
D639,331	S	*	6/2011	Kawaguchi et al.	D16/230
2008/0218707	A1	*	9/2008	Adachi et al.	353/119
2009/0122274	A1	*	5/2009	Saito	353/119
2011/0128510	A1	*	6/2011	Matsumoto et al.	353/119

* cited by examiner

Primary Examiner — Wan Laymon

(74) *Attorney, Agent, or Firm* — Sughrue Mion, PLLC

(57) **CLAIM**

The ornamental design for a projector, as shown and described.

DESCRIPTION

FIG. 1 is a front, right side, top perspective view of a projector showing our new design;

FIG. 2 is a front elevational view thereof;

FIG. 3 is a rear elevational view thereof;

FIG. 4 is a left side elevational view thereof;

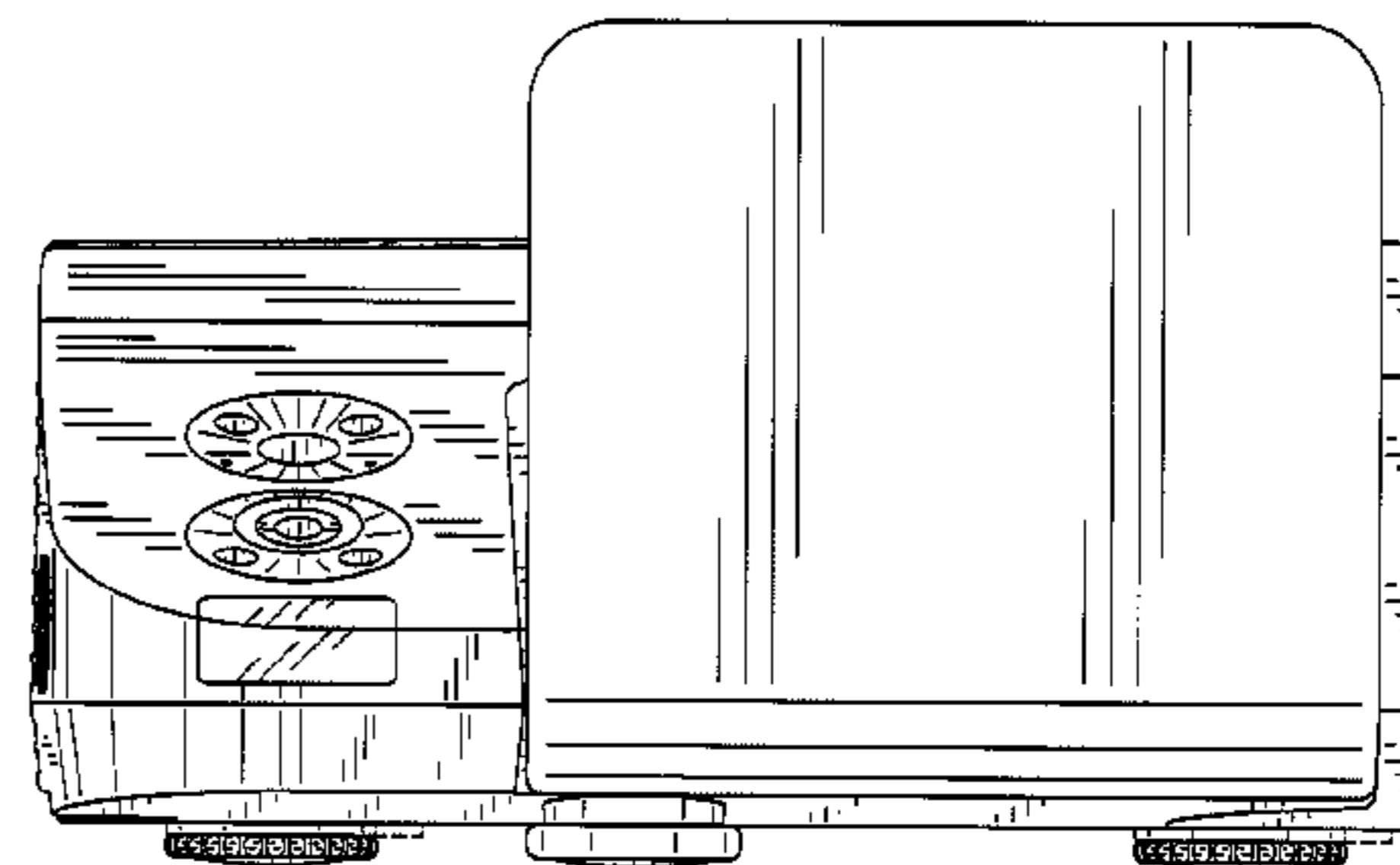
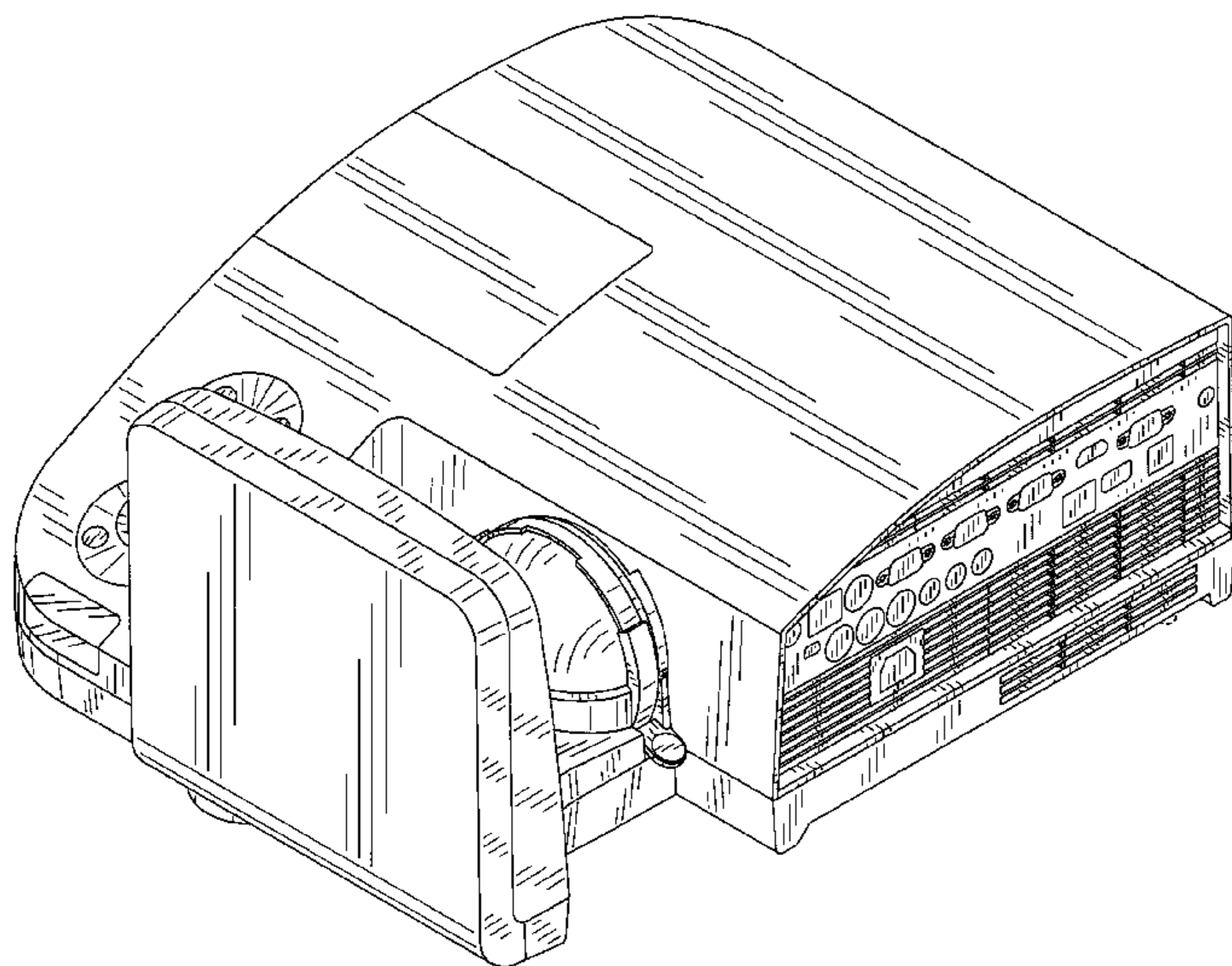
FIG. 5 is a right side elevational view thereof;

FIG. 6 is a top plan view thereof; and,

FIG. 7 is a bottom plan view thereof.

The broken lines shown in the figures represent portions of the projector that form no part of the claimed design.

1 Claim, 7 Drawing Sheets



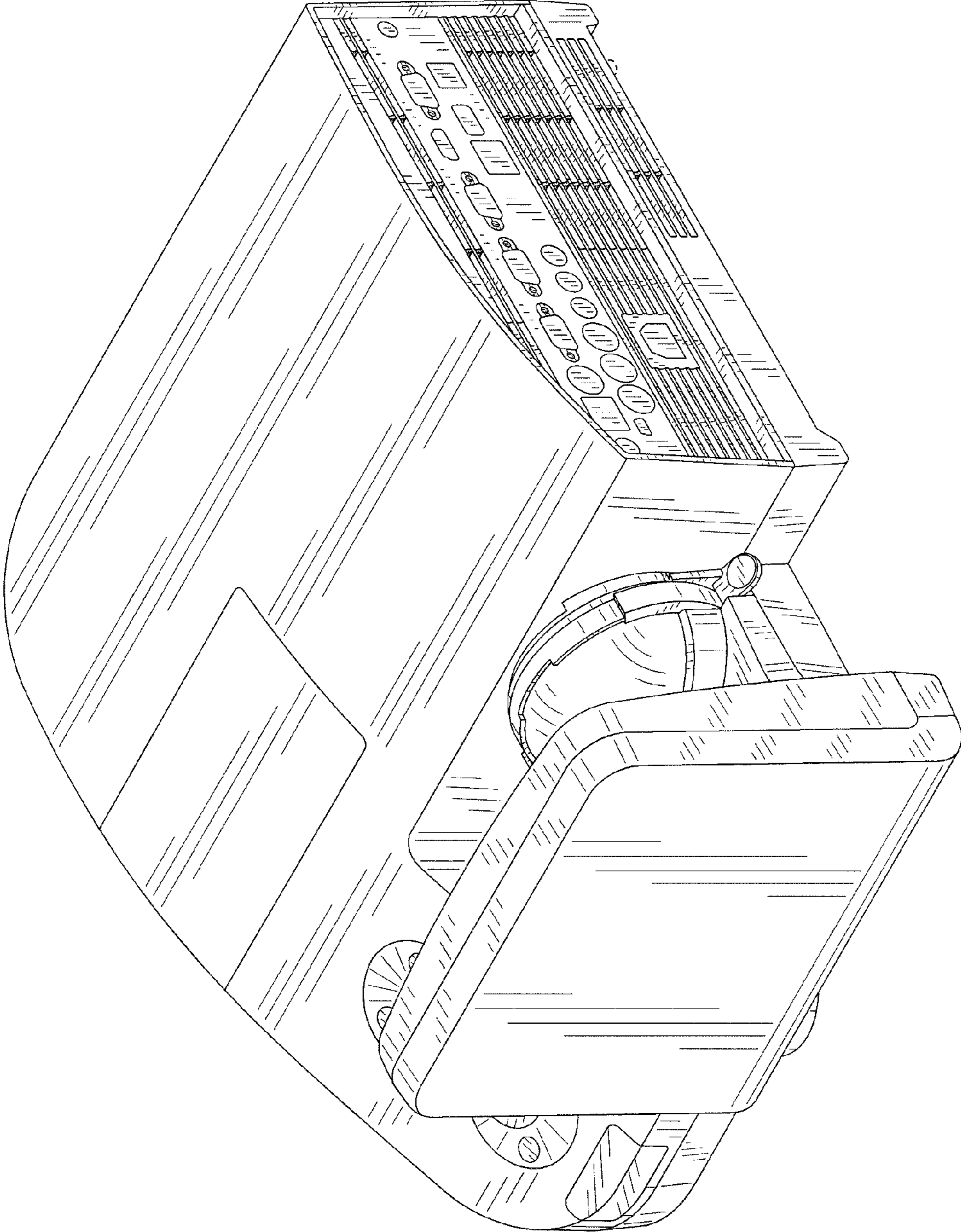


FIG. 1

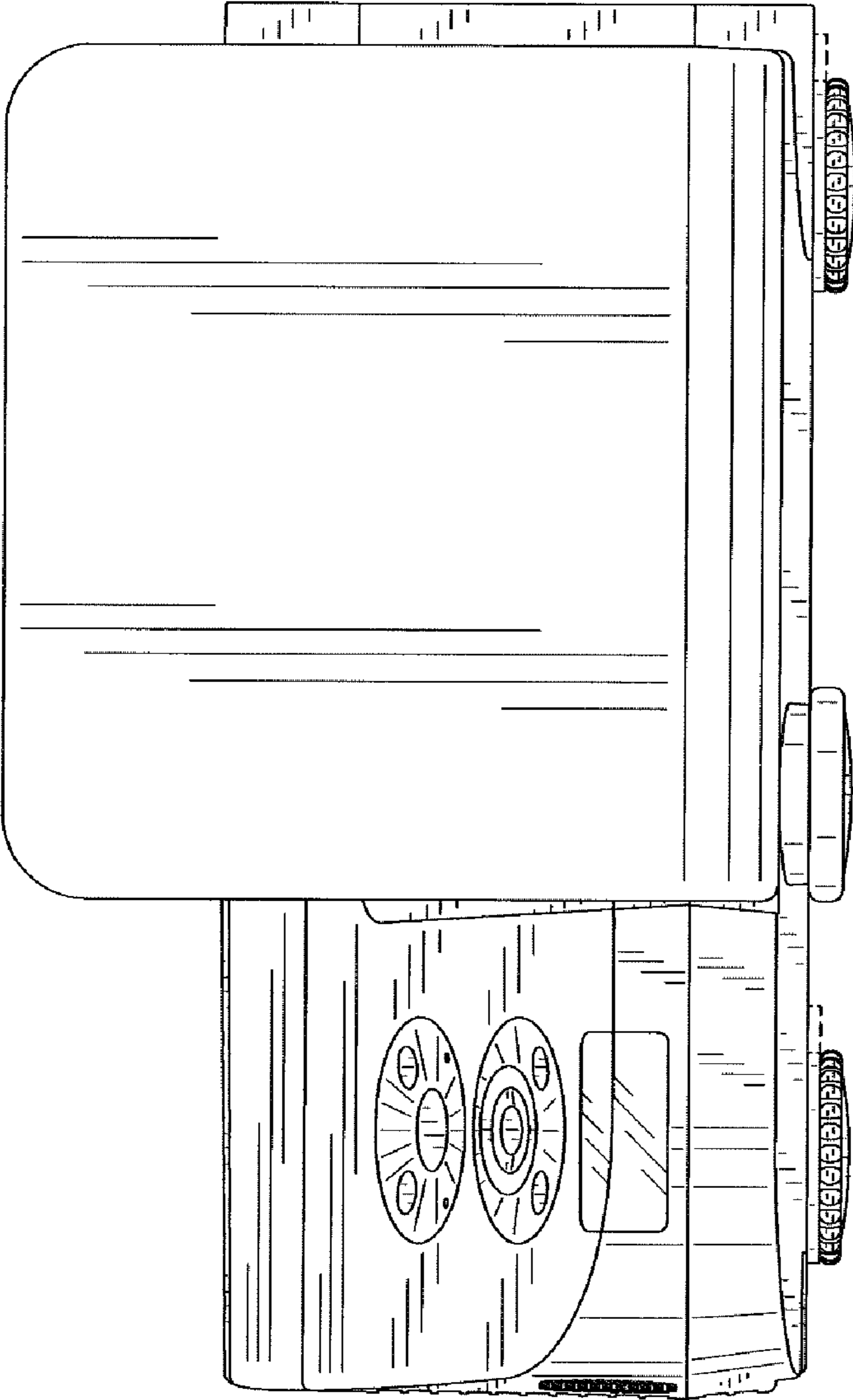


FIG. 2

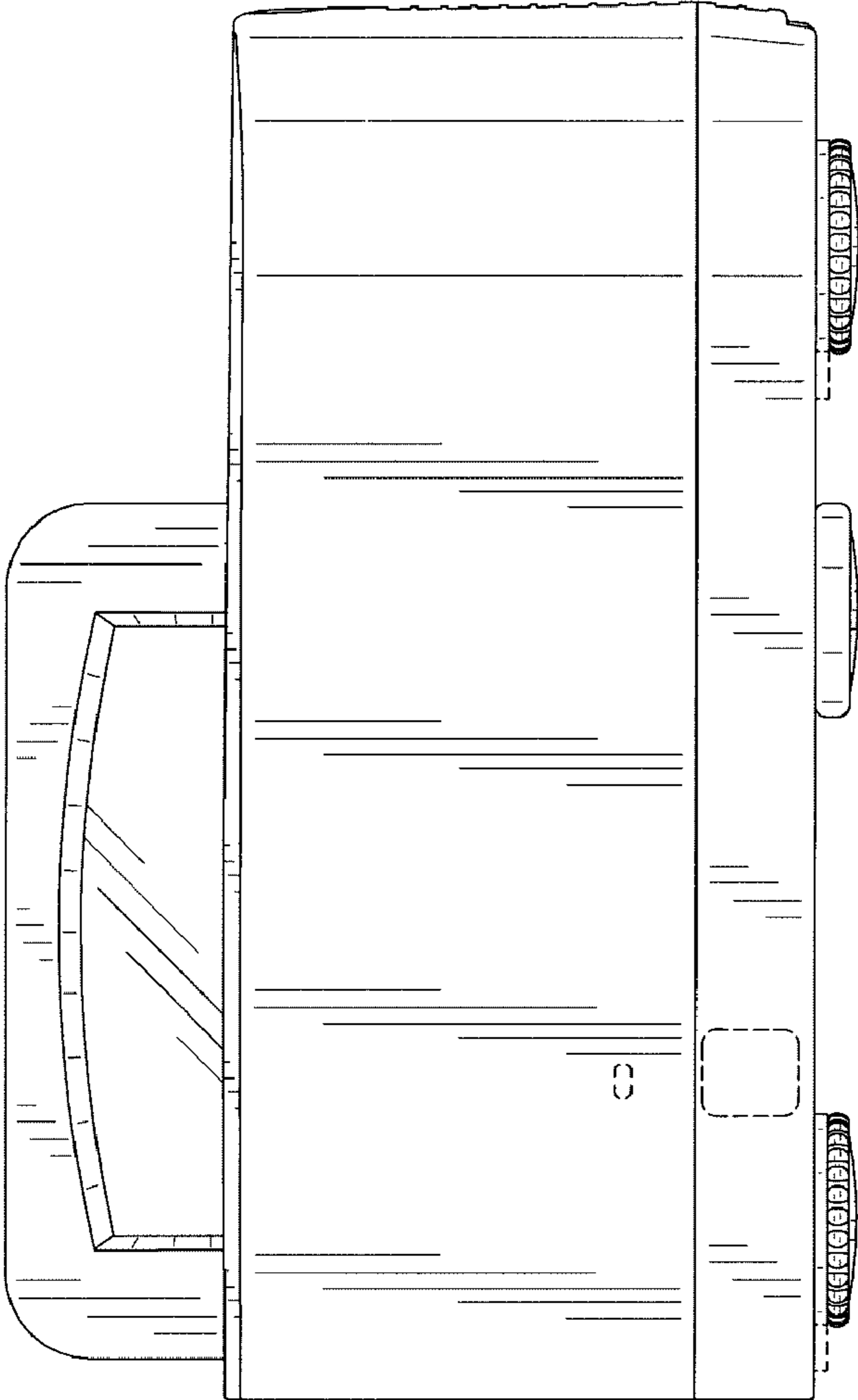


FIG. 3

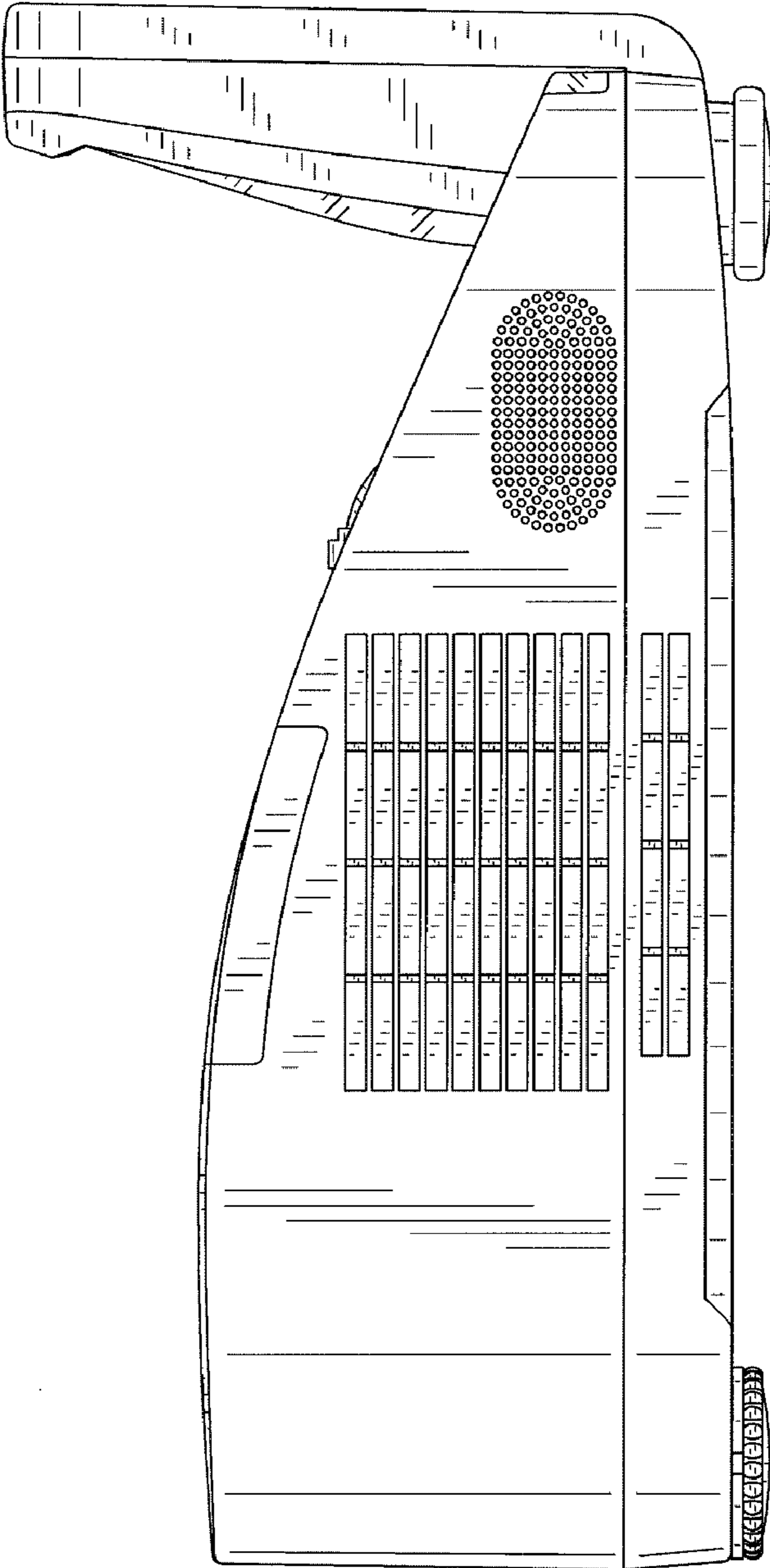


FIG. 4

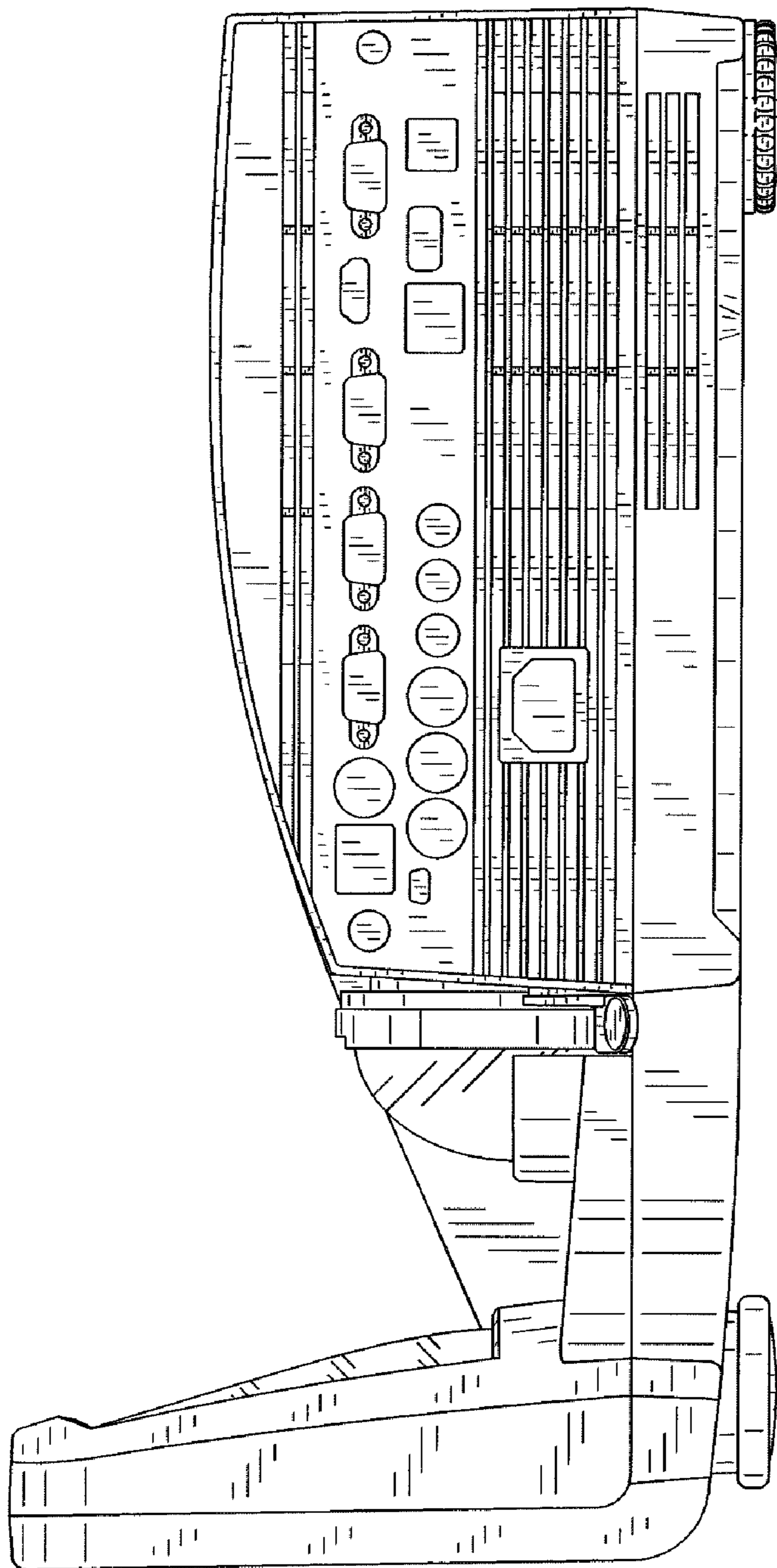


FIG. 5

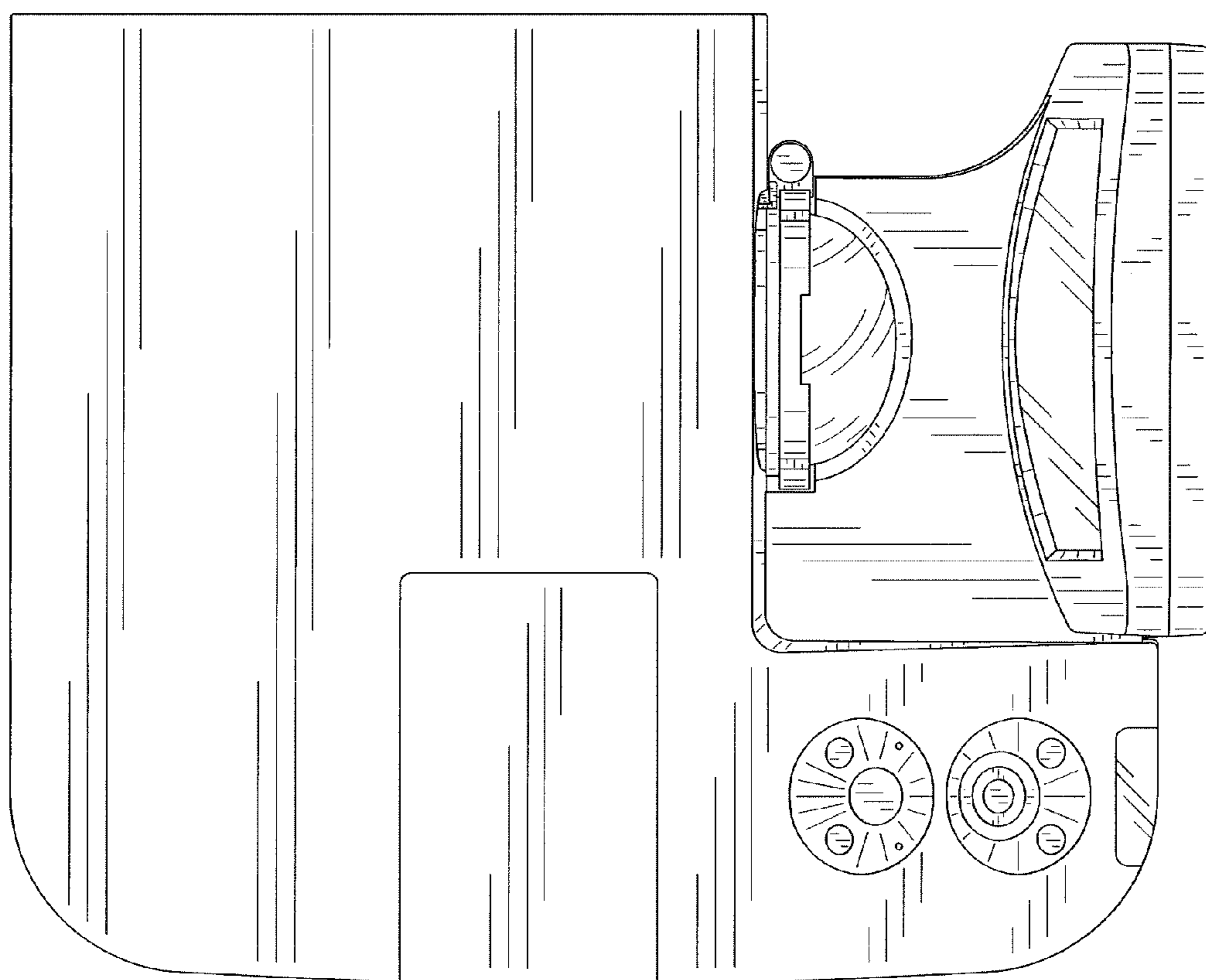


FIG. 6

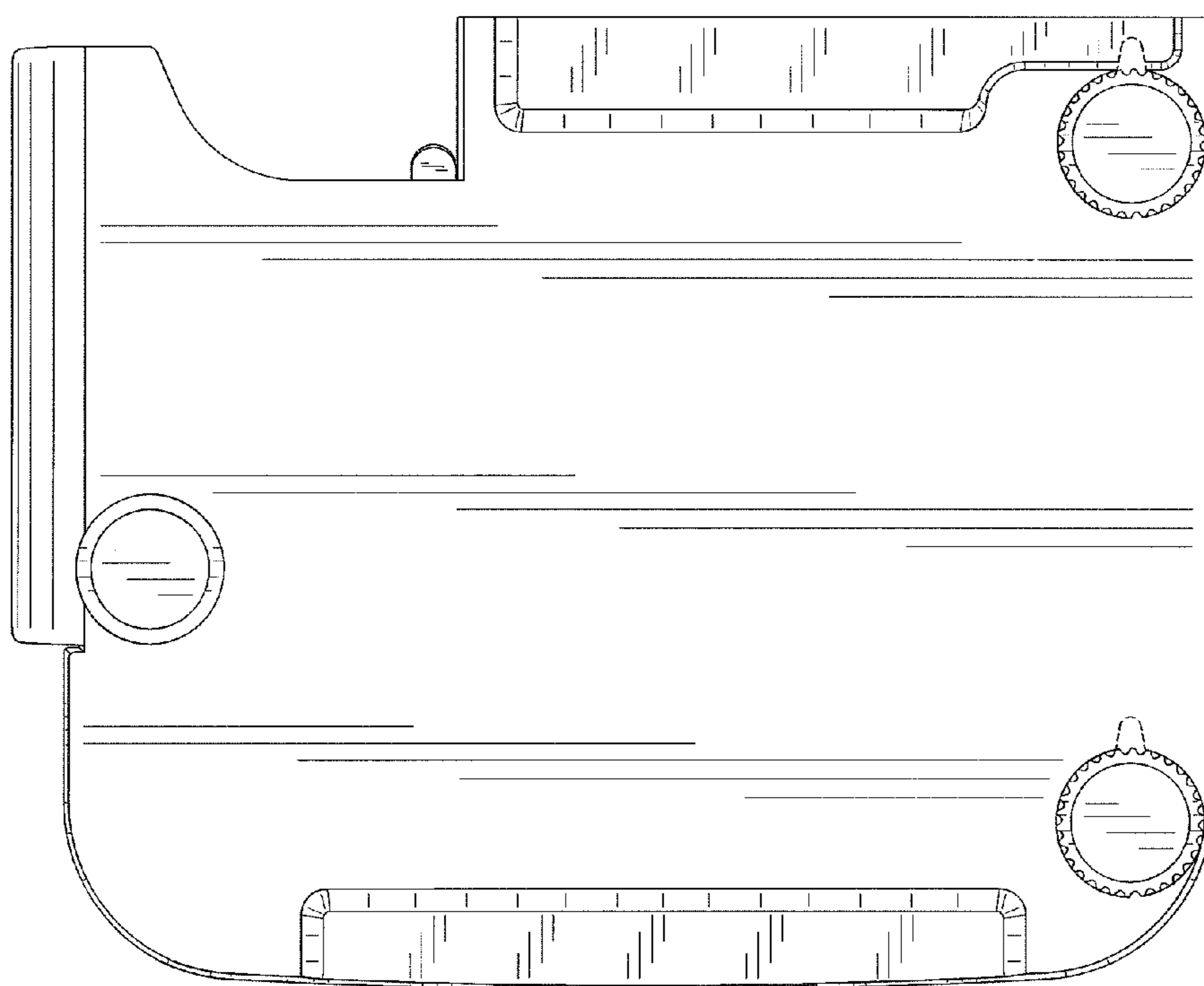


FIG. 7