



US00D656172S

(12) **United States Design Patent**
Stubel et al.

(10) **Patent No.:** **US D656,172 S**

(45) **Date of Patent:** **** Mar. 20, 2012**

(54) **MAGNIFIER**

(75) Inventors: **Marc A. Stubel**, Dix Hills, NY (US);
Gin Fai Yip, North Point (HK); **Bryan Yip**, Kowloon (HK)

(73) Assignee: **Carson Optical, Inc.**, Hauppauge, NY (US)

(**) Term: **14 Years**

(21) Appl. No.: **29/392,041**

(22) Filed: **May 17, 2011**

(51) **LOC (9) Cl.** **16-06**

(52) **U.S. Cl.** **D16/135**

(58) **Field of Classification Search** D16/130,
D16/135; 359/802, 803, 804, 805, 808, 809,
359/810, 811, 815, 817, 819, 822, 880, 881,
359/882; 362/119, 238; D6/300, 309; D26/38
See application file for complete search history.

(56) **References Cited**

U.S. PATENT DOCUMENTS

1,473,357	A *	11/1923	Pletman	132/309
3,945,717	A *	3/1976	Ryder et al.	359/800
D269,275	S *	6/1983	Tweedie	D16/135
4,903,706	A *	2/1990	Vila-Cora et al.	600/558
D324,060	S *	2/1992	Huang	D16/135

D336,655	S *	6/1993	Lee	D16/135
5,263,754	A *	11/1993	Coleman	294/99.2
6,062,697	A *	5/2000	Bryant et al.	359/841
D506,574	S	6/2005	Yip		
6,999,248	B2 *	2/2006	Schuttinger	359/803
D565,618	S	4/2008	Yip et al.		
D568,354	S *	5/2008	Krause	D16/135
D637,220	S *	5/2011	Levine	D16/135

* cited by examiner

Primary Examiner — Paula Greene

(74) *Attorney, Agent, or Firm* — Carmody & Torrance LLP

(57) **CLAIM**

The ornamental design for a magnifier, as shown and described.

DESCRIPTION

FIG. 1 is a perspective view of a magnifier showing our new design;

FIG. 2 is a top plan view thereof;

FIG. 3 is a bottom plan view thereof;

FIG. 4 is a right side elevational view thereof;

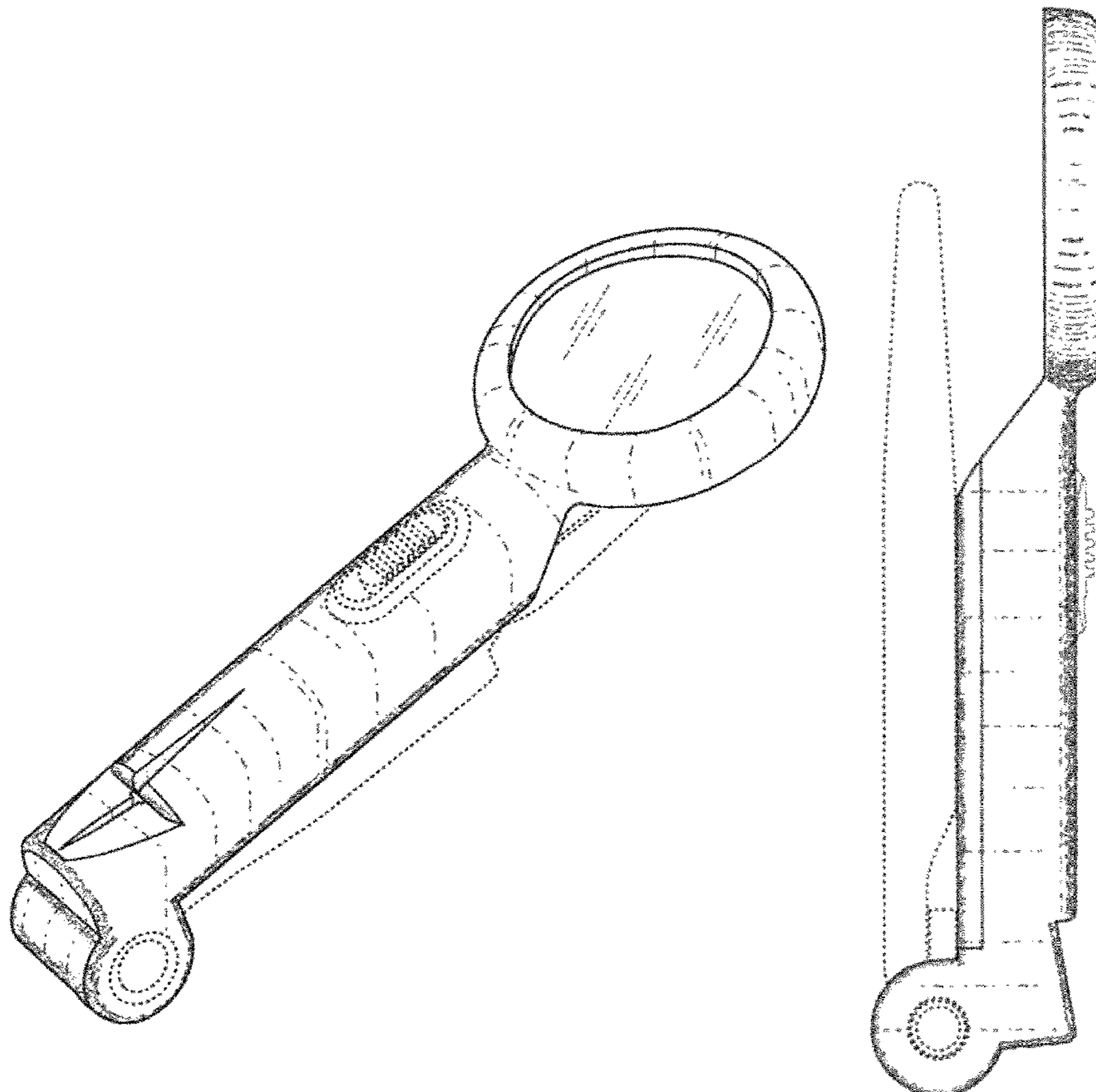
FIG. 5 is a left side elevational view thereof;

FIG. 6 is a first end elevational view thereof; and,

FIG. 7 is a second end elevational view thereof.

The dotted lines are intended to show features that are environmental only and form no part of the claimed design.

1 Claim, 4 Drawing Sheets



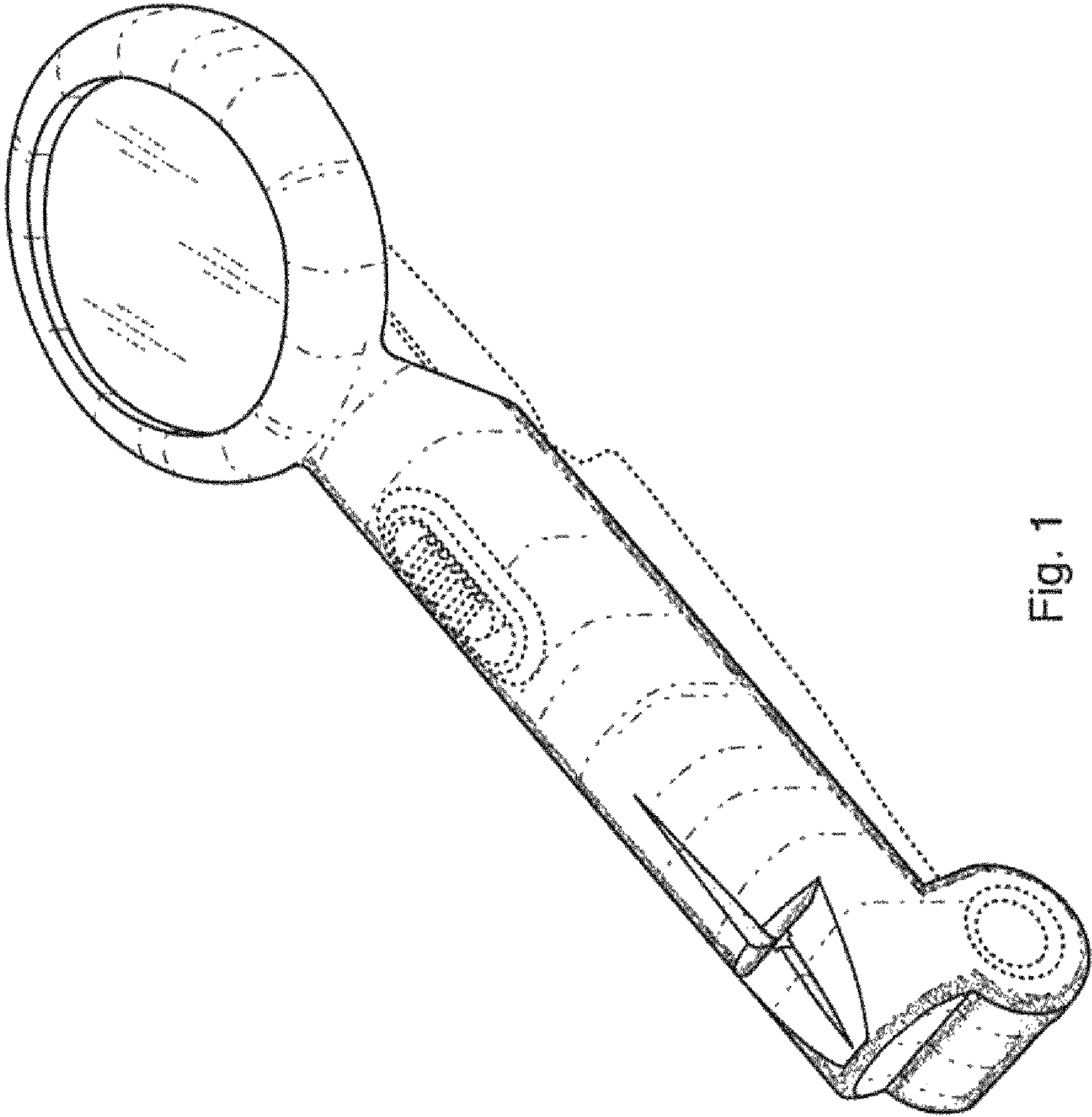


Fig. 1

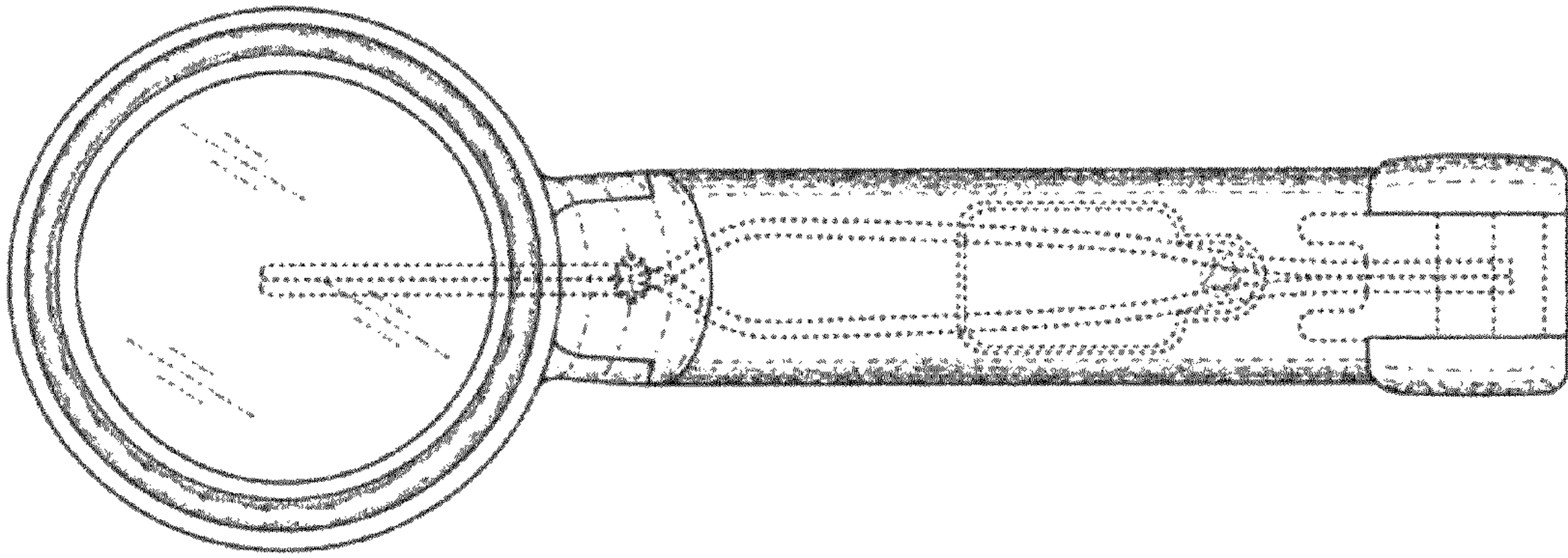


Fig. 3

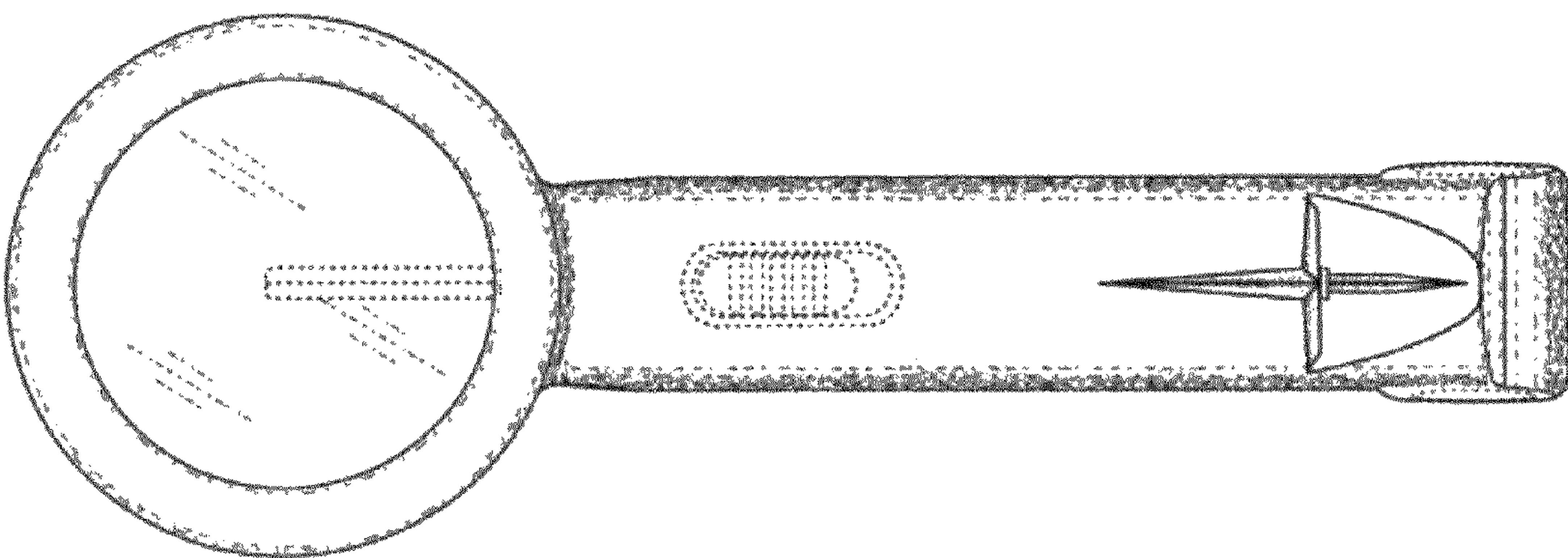


Fig. 2

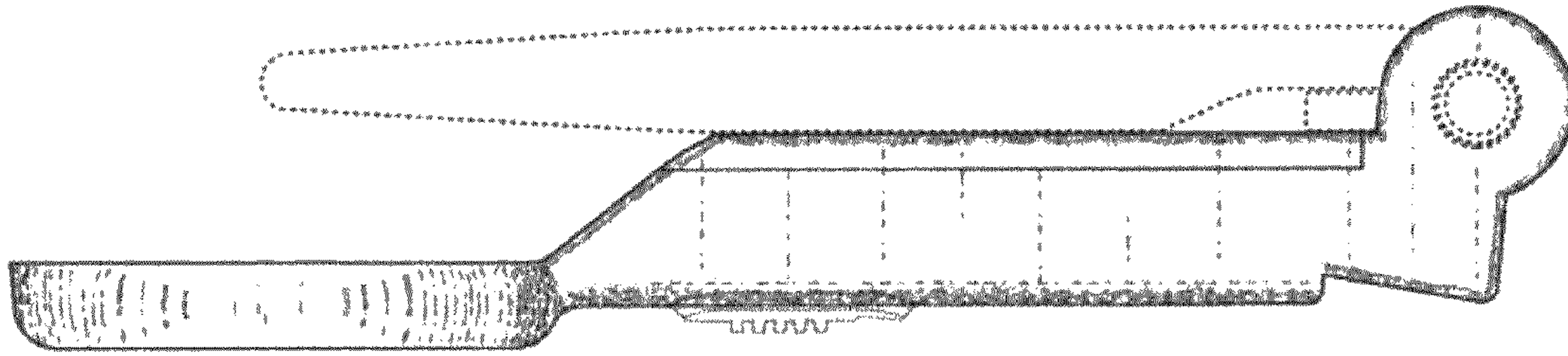


Fig. 5

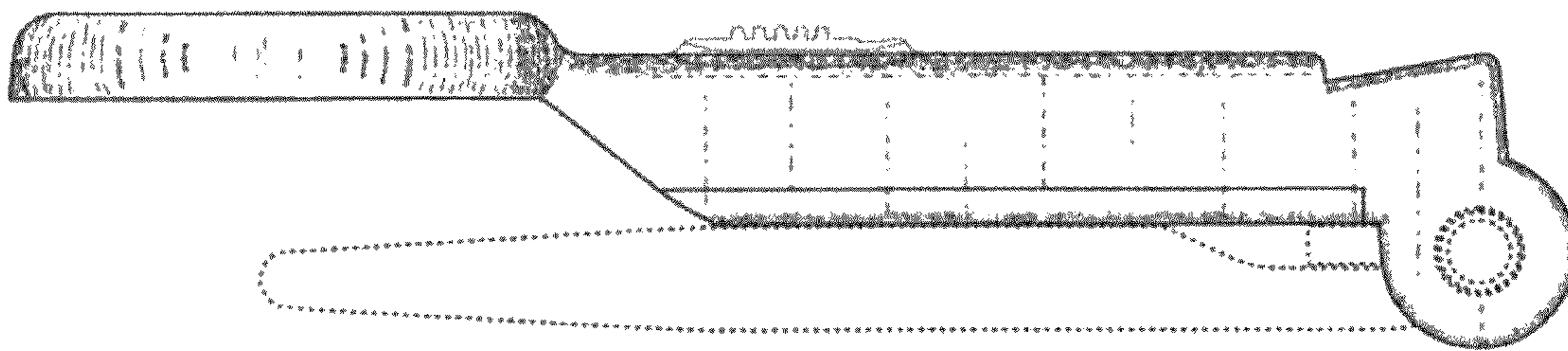


Fig. 4

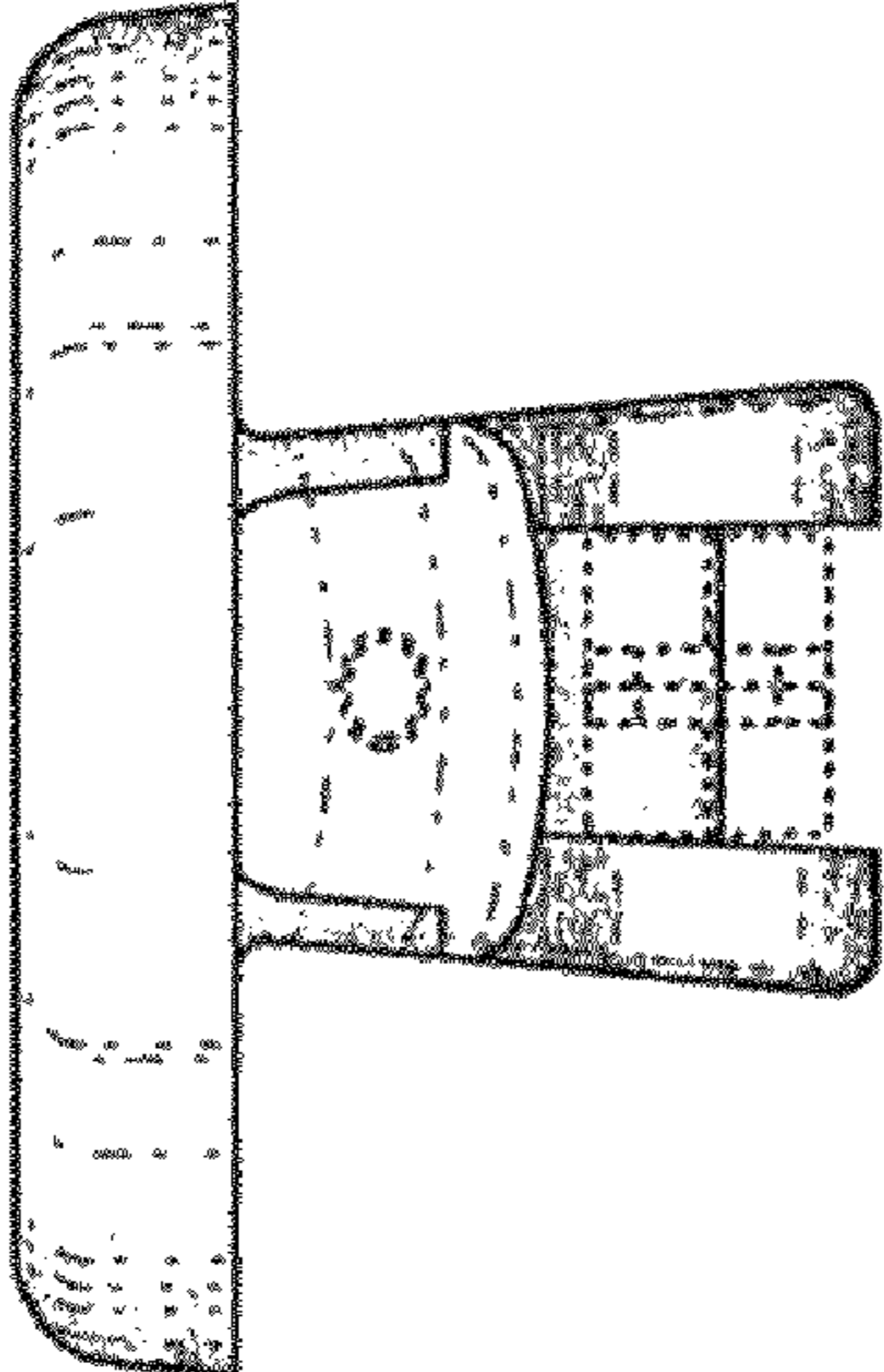


Fig. 7

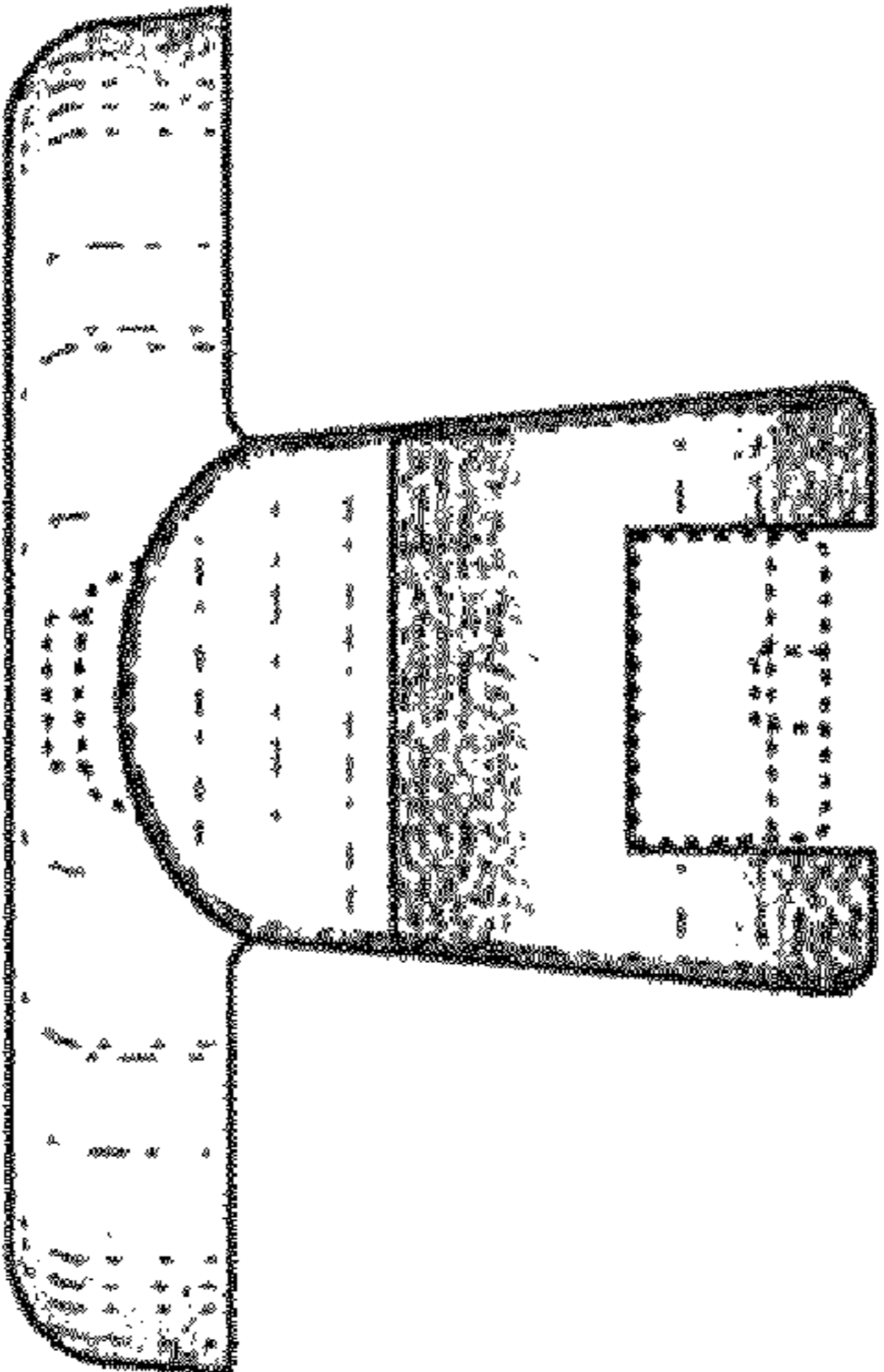


Fig. 6