



US00D656171S

(12) **United States Design Patent**
Bradford et al.

(10) **Patent No.:** **US D656,171 S**
(45) **Date of Patent:** **** Mar. 20, 2012**

- (54) **TABLE-TOP DEVICE WITH READING LENS**
- (75) Inventors: **Jeffrey R. Bradford**, Golden, CO (US);
Karen L. Arnett, Golden, CO (US)
- (73) Assignee: **Menu Monocle, LLC**, Golden, CO (US)
- (**) Term: **14 Years**
- (21) Appl. No.: **29/396,308**
- (22) Filed: **Jun. 28, 2011**

Related U.S. Application Data

- (62) Division of application No. 29/376,921, filed on Oct. 14, 2010, now Pat. No. Des. 642,606.
 - (51) **LOC (9) Cl.** **16-06**
 - (52) **U.S. Cl.** **D16/134**
 - (58) **Field of Classification Search** D16/130,
D16/134, 135; 359/806, 807, 743, 810, 811,
359/817; 40/367, 511, 733, 361, 362, 366;
D19/72; 206/232
- See application file for complete search history.

References Cited

U.S. PATENT DOCUMENTS

1,475,134	A *	11/1923	Oakes	248/468
1,857,552	A *	5/1932	Komorous	248/473
2,227,898	A *	1/1941	Grant	359/467
2,443,234	A *	6/1948	Ford, Jr.	40/755
2,486,652	A *	11/1949	Huelster	24/324
4,366,636	A *	1/1983	Hearsh	40/733
4,435,912	A *	3/1984	Adrian et al.	40/365
4,457,585	A *	7/1984	DuCorday	359/441
4,607,817	A *	8/1986	Aquino	248/459
4,917,240	A *	4/1990	Roberts et al.	206/232
D398,316	S *	9/1998	Feldman	D16/135
D424,618	S *	5/2000	Waterhouse	D19/65
D433,708	S *	11/2000	Chiang	D19/72

(Continued)

Primary Examiner — Paula Greene

(74) *Attorney, Agent, or Firm* — Lee G. Meyer, Esq.; Meyer & Associates, LLC

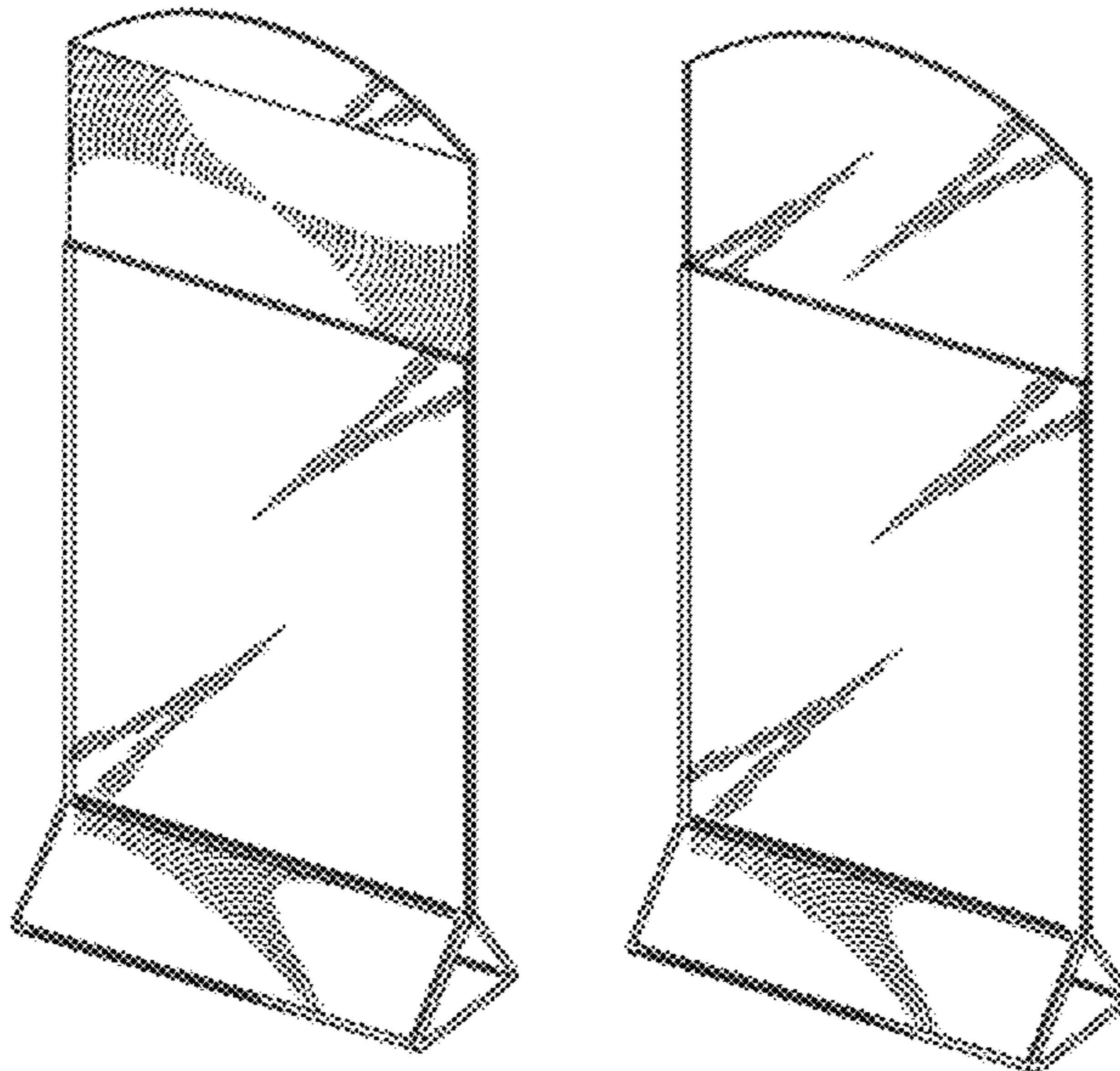
(57) **CLAIM**

The ornamental design for a table-top device with reading lens, as shown.

DESCRIPTION

FIG. 1 is a perspective view of a table-top device with reading lens showing our new design;
 FIG. 2 is a front elevational view of the table-top device with reading lens as shown in FIG. 1;
 FIG. 3 is a rear elevational view of the table-top device with reading lens as shown in FIG. 1;
 FIG. 4 is a left elevational view of the table-top device with reading lens as shown in FIG. 1;
 FIG. 5 is a right elevational view of the table-top device with reading lens as shown in FIG. 1;
 FIG. 6 is a bottom plan view of the table-top device with reading lens as shown in FIG. 1;
 FIG. 7 is a top plan view of the table-top device with reading lens as shown in FIG. 1;
 FIG. 8 is a perspective view of a second embodiment of the table-top device with reading lens showing our new design;
 FIG. 9 is a front elevational view of the table-top device with reading lens as shown in FIG. 8;
 FIG. 10 is a rear elevational view of the table-top device with reading lens as shown in FIG. 8;
 FIG. 11 is a left elevational view of the table-top device with reading lens as shown in FIG. 8;
 FIG. 12 is a right elevational view of the table-top device with reading lens as shown in FIG. 8;
 FIG. 13 is a bottom plan view of the table-top device with reading lens as shown in FIG. 8; and,
 FIG. 14 is a top plan view of the table-top device with reading lens as shown in FIG. 8.

1 Claim, 2 Drawing Sheets



US D656,171 S

Page 2

U.S. PATENT DOCUMENTS

D441,383 S *	5/2001	Andrews	D16/135	7,404,266 B2 *	7/2008	Tomaka	40/367
6,382,412 B1 *	5/2002	Wood	206/232	D634,762 S *	3/2011	Levine	D16/135
D535,675 S *	1/2007	Longchamp	D16/130	D642,606 S *	8/2011	Bradford et al.	D16/134

* cited by examiner

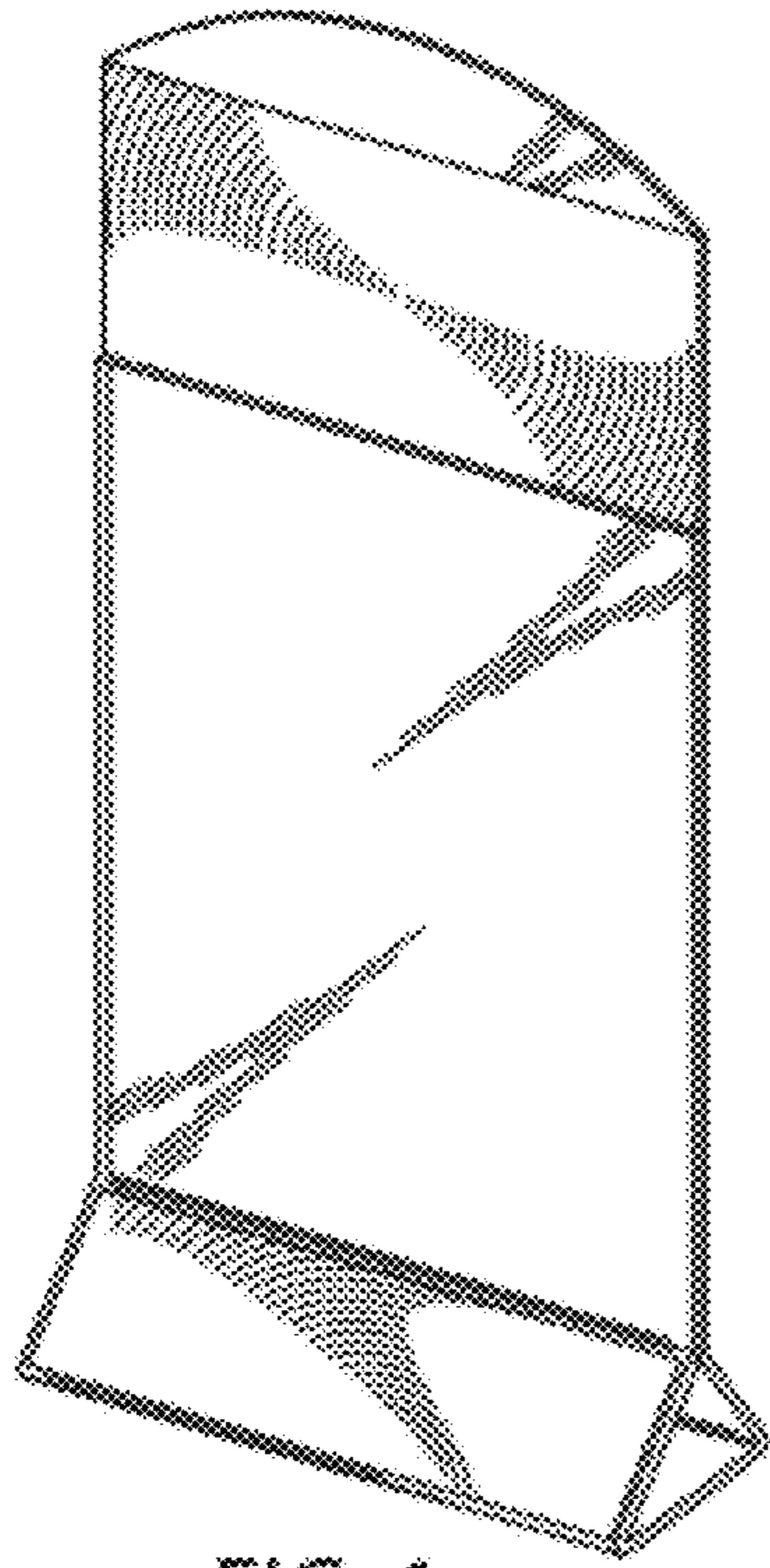


FIG. 1

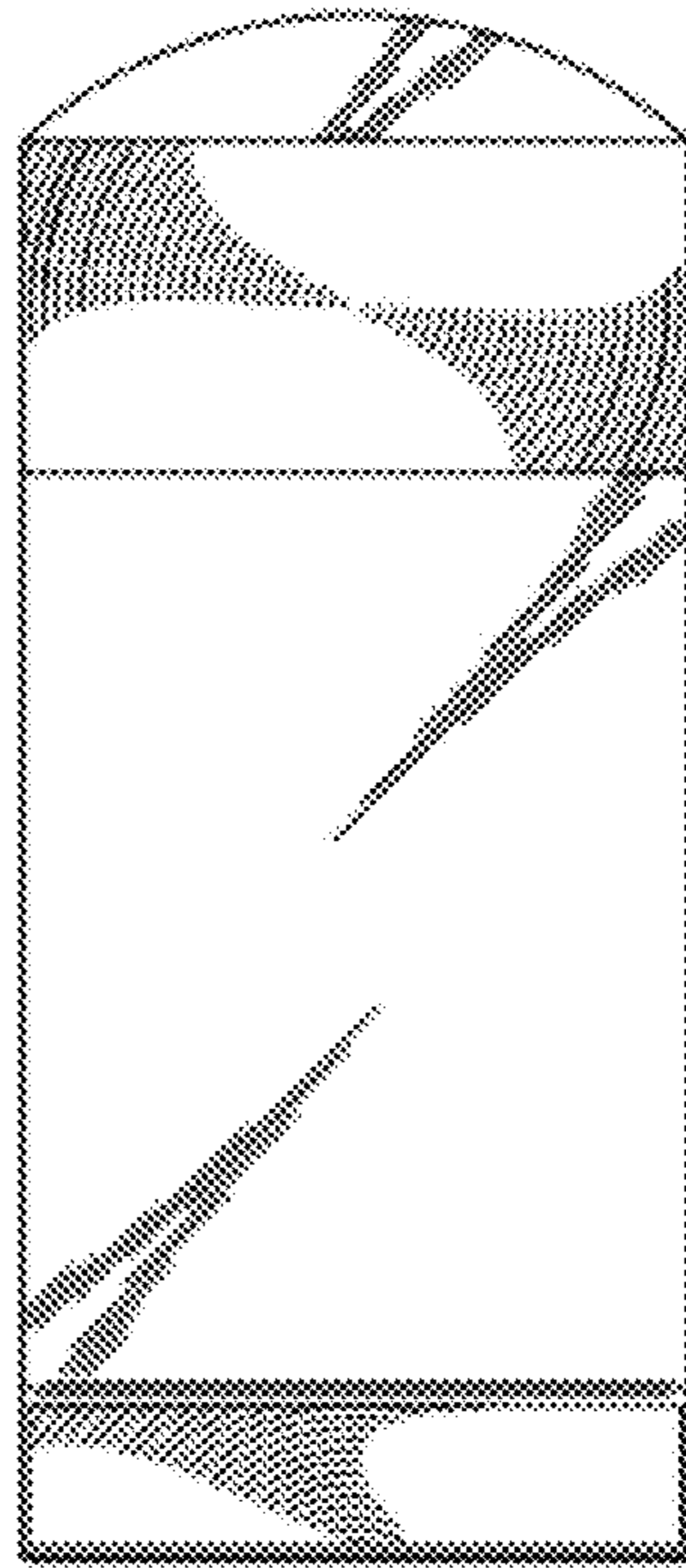


FIG. 2

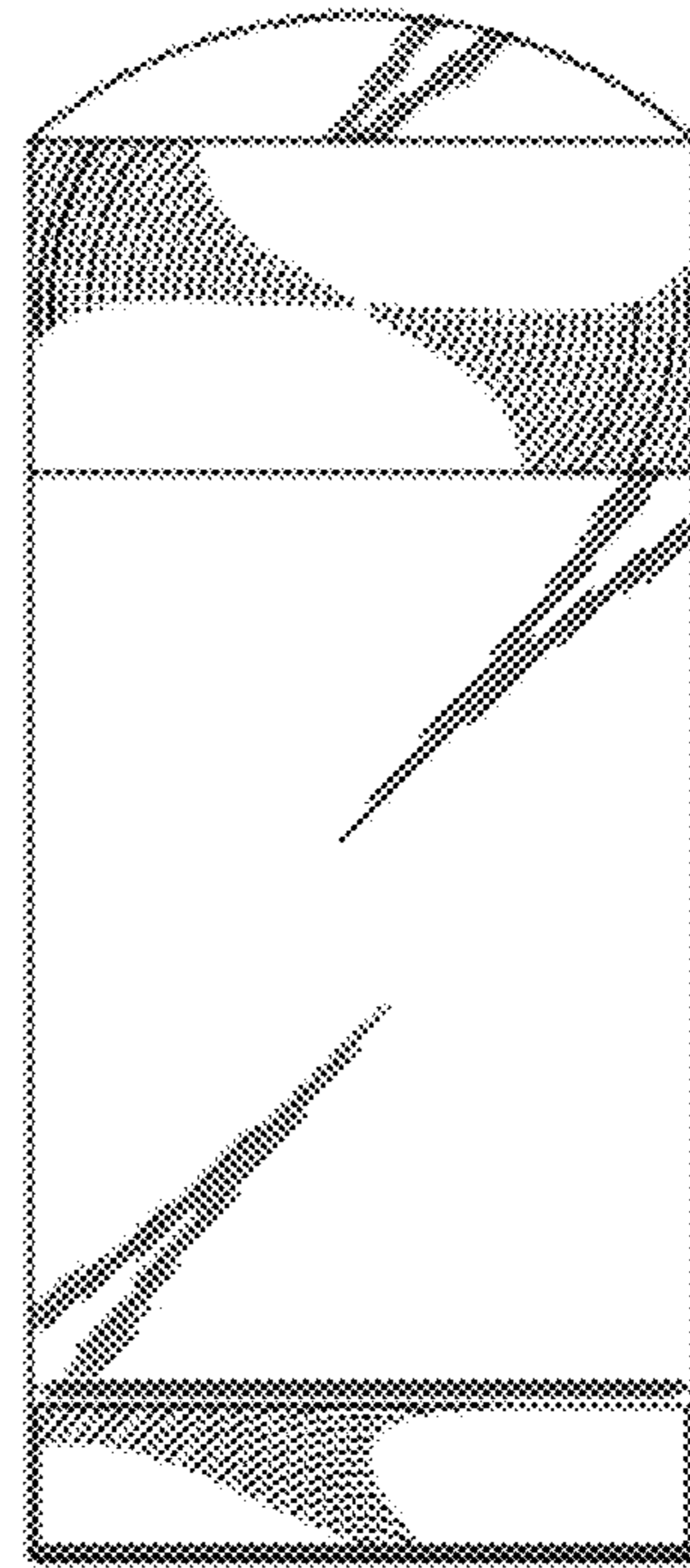


FIG. 3

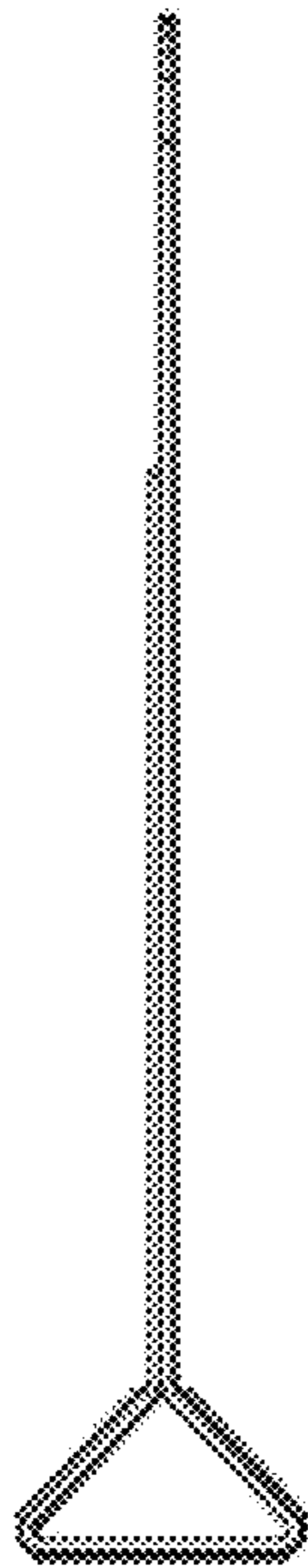


FIG. 4

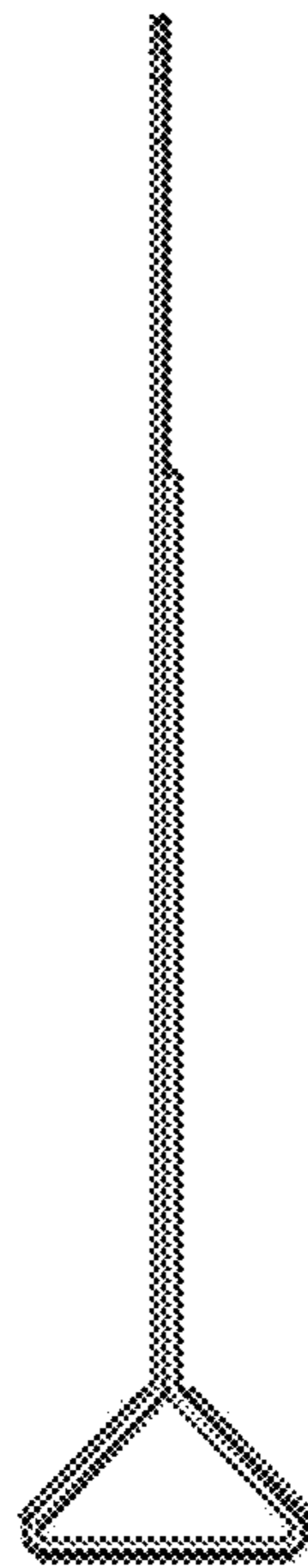


FIG. 5

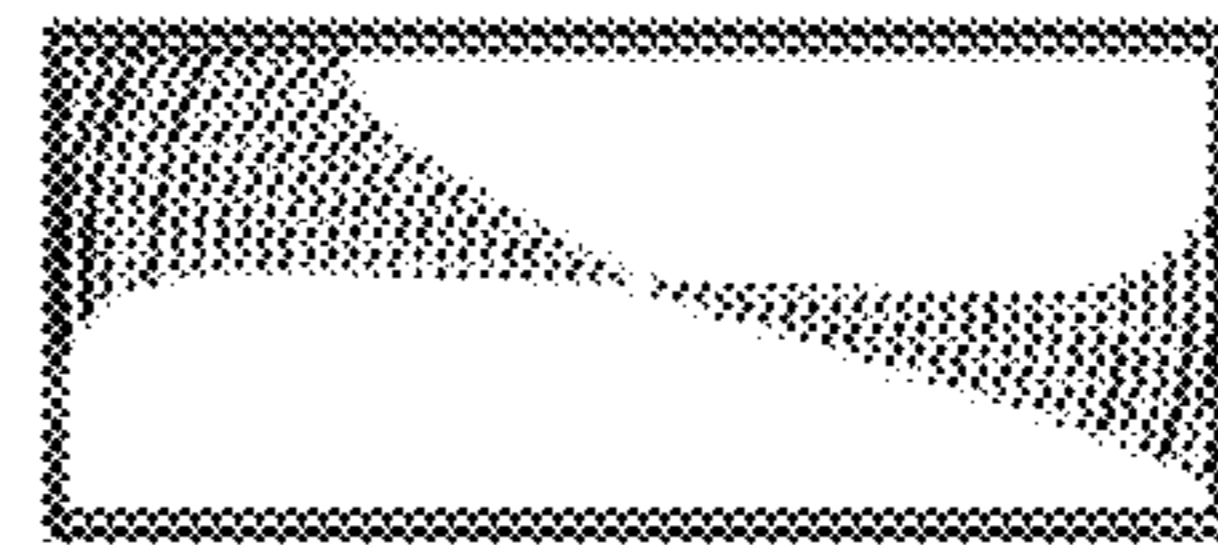


FIG. 6

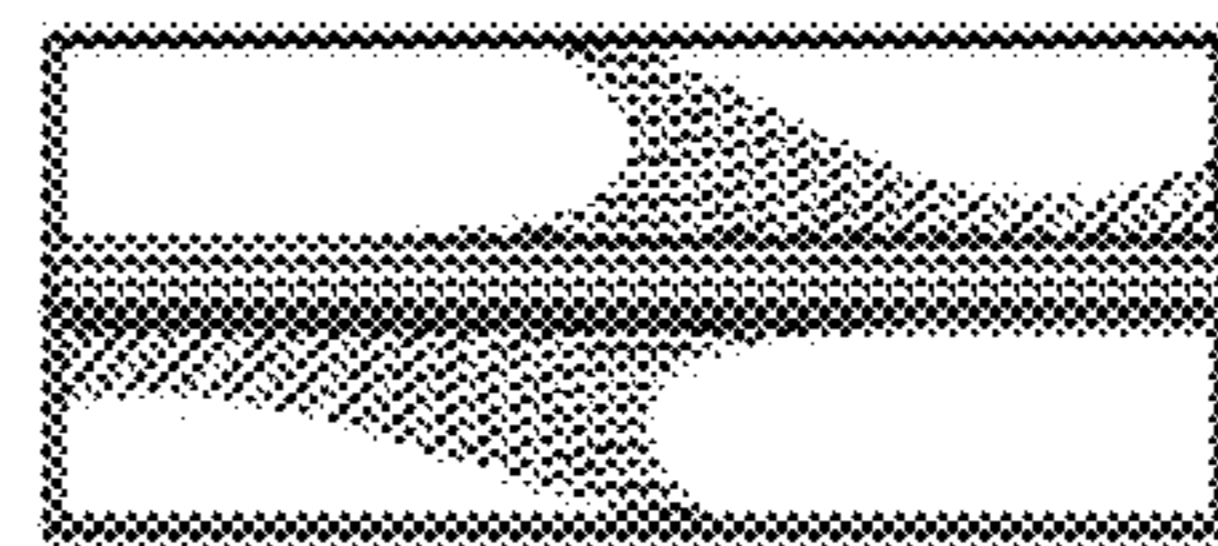


FIG. 7

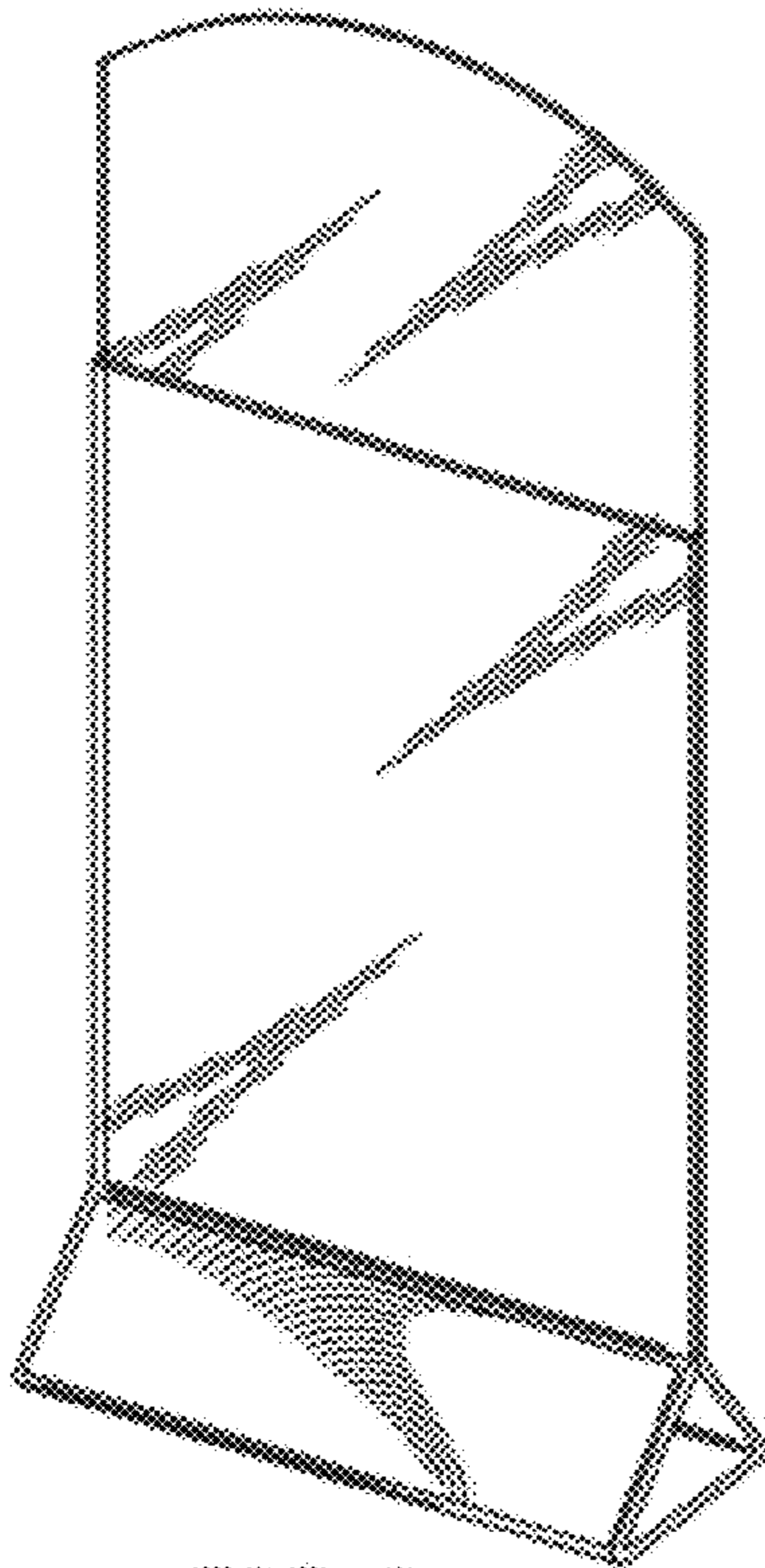


FIG. 8

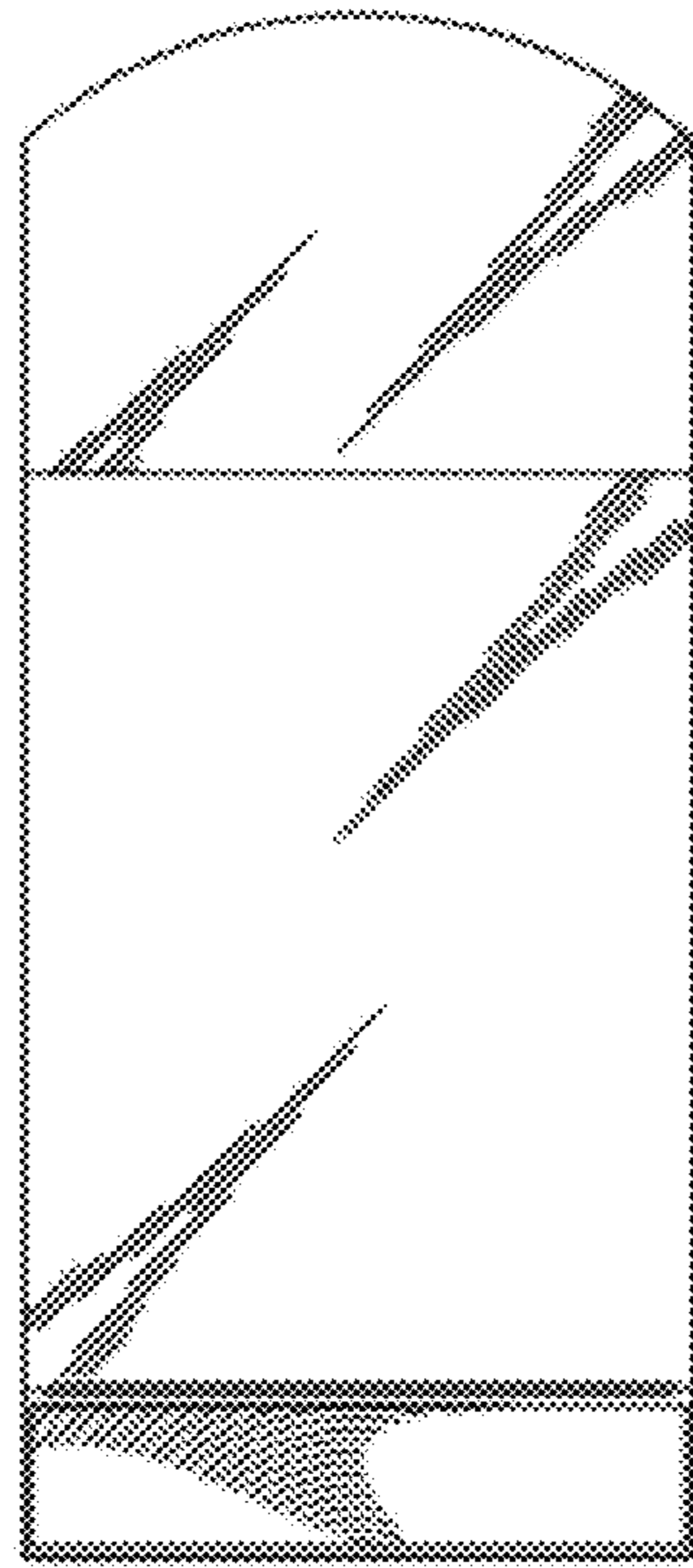


FIG. 9

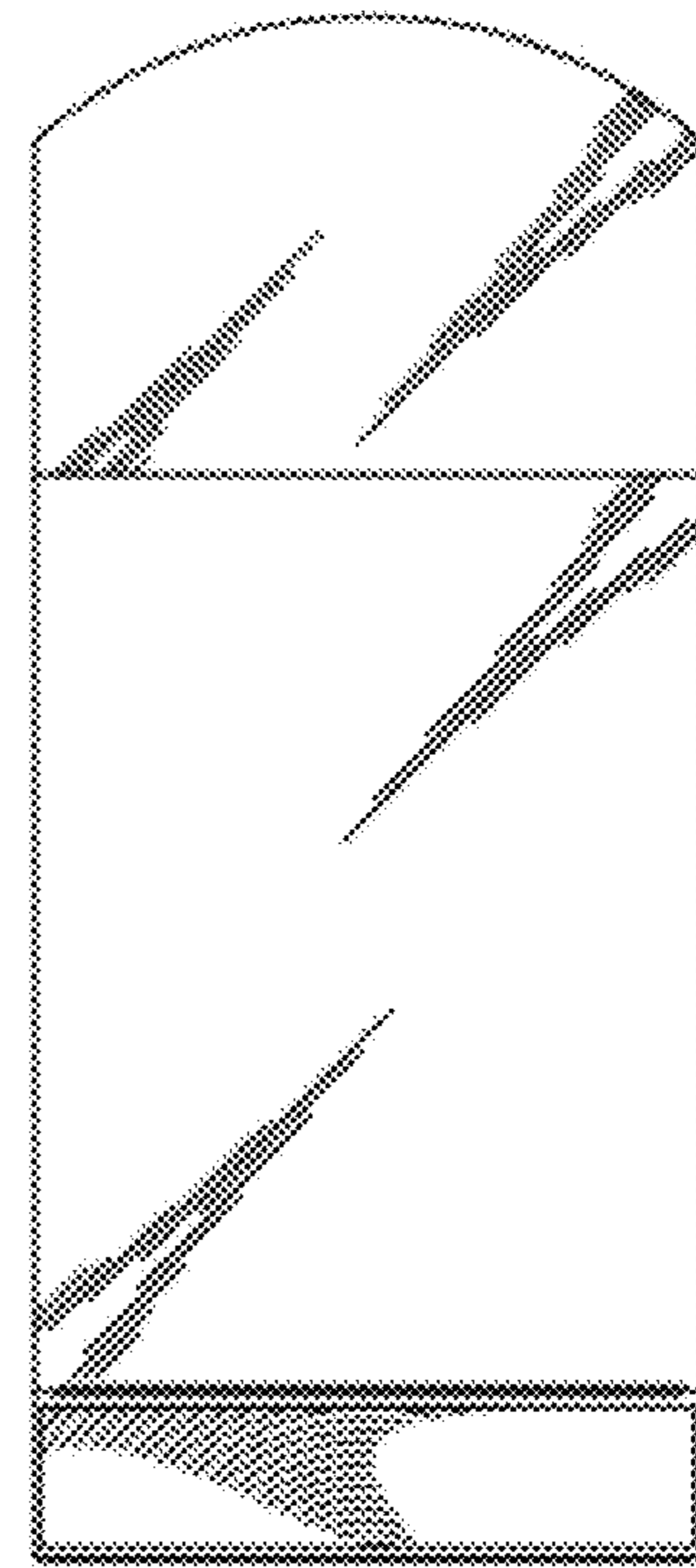


FIG. 10

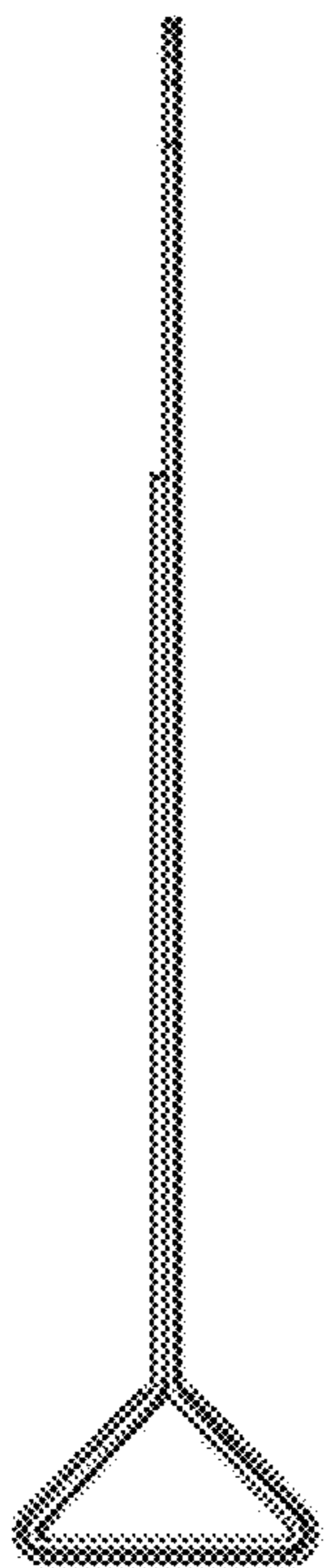


FIG. 11

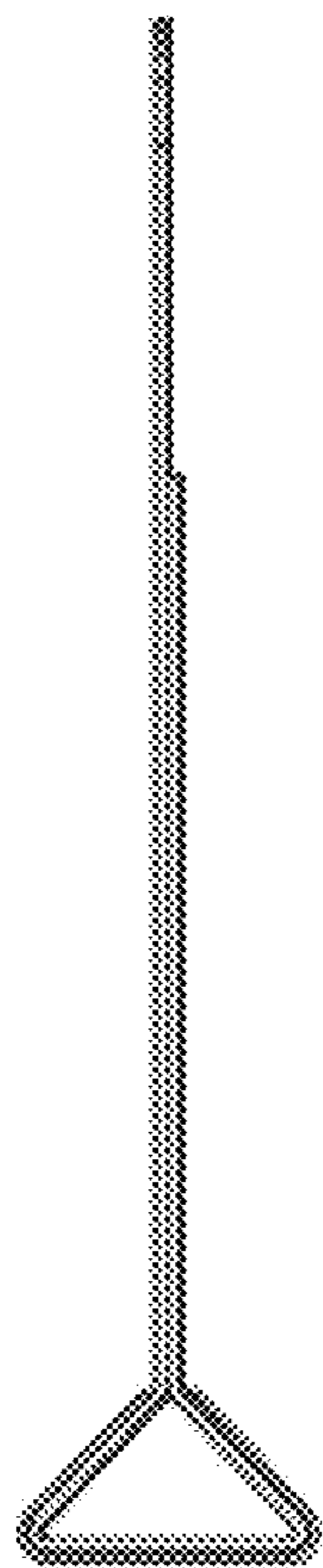


FIG. 12

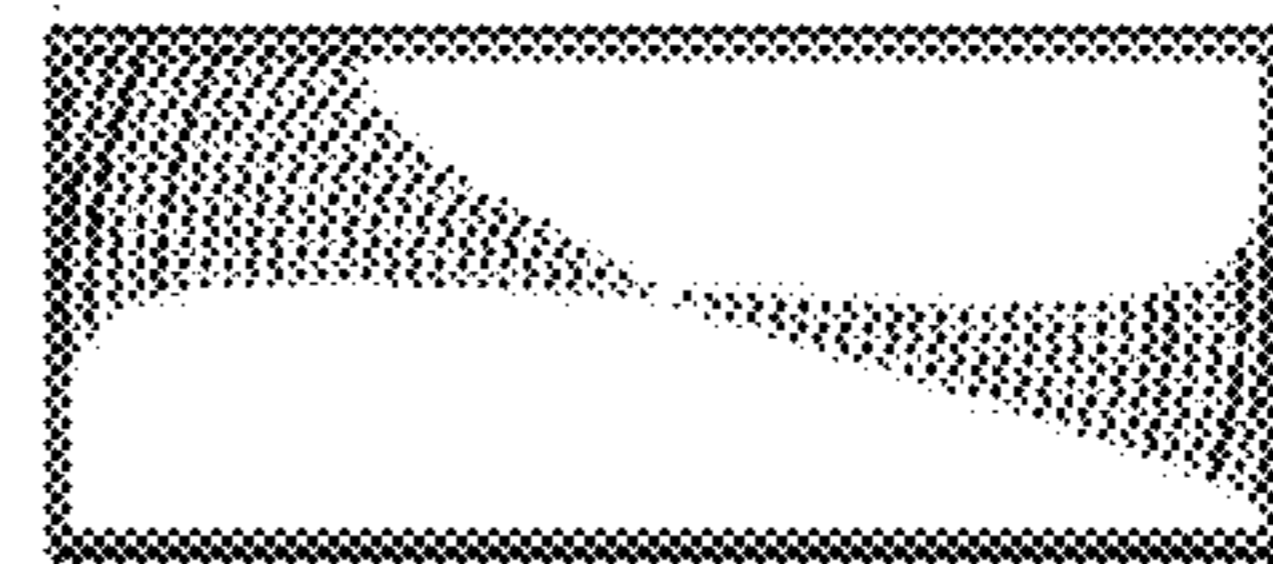


FIG. 13



FIG. 14