



US00D656169S

(12) **United States Design Patent**
Fukano et al.

(10) **Patent No.:** **US D656,169 S**

(45) **Date of Patent:** **** Mar. 20, 2012**

(54) **ELECTRIC ACTUATOR**

(75) Inventors: **Yoshihiro Fukano**, Tsukubamirai (JP);
Shoichi Makado, Tsukubamirai (JP);
Yuichi Hayashi, Tsukubamirai (JP)

(73) Assignee: **SMC Corporation**, Chiyoda-ku, Tokyo
(JP)

(**) Term: **14 Years**

(21) Appl. No.: **29/405,377**

(22) Filed: **Nov. 1, 2011**

(30) **Foreign Application Priority Data**

Jun. 28, 2011 (JP) 2011-014643

(51) **LOC (9) Cl.** **15-09**

(52) **U.S. Cl.** **D15/143; D15/199**

(58) **Field of Classification Search** D13/158,
D13/162, 184; D15/5, 7, 9, 143, 148, 199;
74/89.15, 411.4, 490.09; 297/14, 325, 327;
310/10, 12, 15, 20, 80, 300; 439/717, 721,
439/725; 474/148

See application file for complete search history.

(56) **References Cited**

U.S. PATENT DOCUMENTS

D317,922 S * 7/1991 Toyota et al. D15/5
D329,434 S * 9/1992 Toyota et al. D15/5
D365,352 S * 12/1995 Miyamoto et al. D15/143
D375,965 S * 11/1996 Shiino et al. D15/143
D378,214 S * 2/1997 Ikumi D15/7
D399,491 S * 10/1998 Nagai et al. D13/158
D399,830 S * 10/1998 Nagai et al. D13/158
D407,409 S * 3/1999 Masuda et al. D15/5

D412,917 S * 8/1999 Nagai et al. D15/199
D413,129 S * 8/1999 Nagai et al. D15/199
D456,826 S * 5/2002 Nagai et al. D15/143
D554,164 S * 10/2007 Naruse et al. D15/143
D578,147 S * 10/2008 Fukano et al. D15/143
D587,733 S * 3/2009 Niedermeyer D15/143
D589,459 S * 3/2009 Iida D13/158
D596,653 S * 7/2009 Fukano et al. D15/143
D611,514 S * 3/2010 Fukano et al. D15/143
D624,099 S * 9/2010 Fukano et al. D15/143
D624,100 S * 9/2010 Fukano et al. D15/143
D624,570 S * 9/2010 Fukano et al. D15/143
D624,572 S * 9/2010 Fukano et al. D15/143
D636,799 S * 4/2011 Fukano et al. D15/143
2002/0047322 A1 * 4/2002 Sato et al. 310/12
2005/0011291 A1 * 1/2005 Nagai et al. 74/89.32

* cited by examiner

Primary Examiner — Patricia Palasik

(74) *Attorney, Agent, or Firm* — Yokoi & Co., U.S.A., Inc.;
Toshiyuki Yokoi

(57) **CLAIM**

The ornamental design for an electric actuator, as shown and described.

DESCRIPTION

FIG. 1 shows a front view of an electric actuator showing our new design;
FIG. 2 shows a rear view thereof;
FIG. 3 shows a right side view thereof;
FIG. 4 shows a left side view thereof;
FIG. 5 shows a top view thereof;
FIG. 6 shows a bottom view thereof; and,
FIG. 7 shows a top, front and left side perspective view thereof.

1 Claim, 4 Drawing Sheets

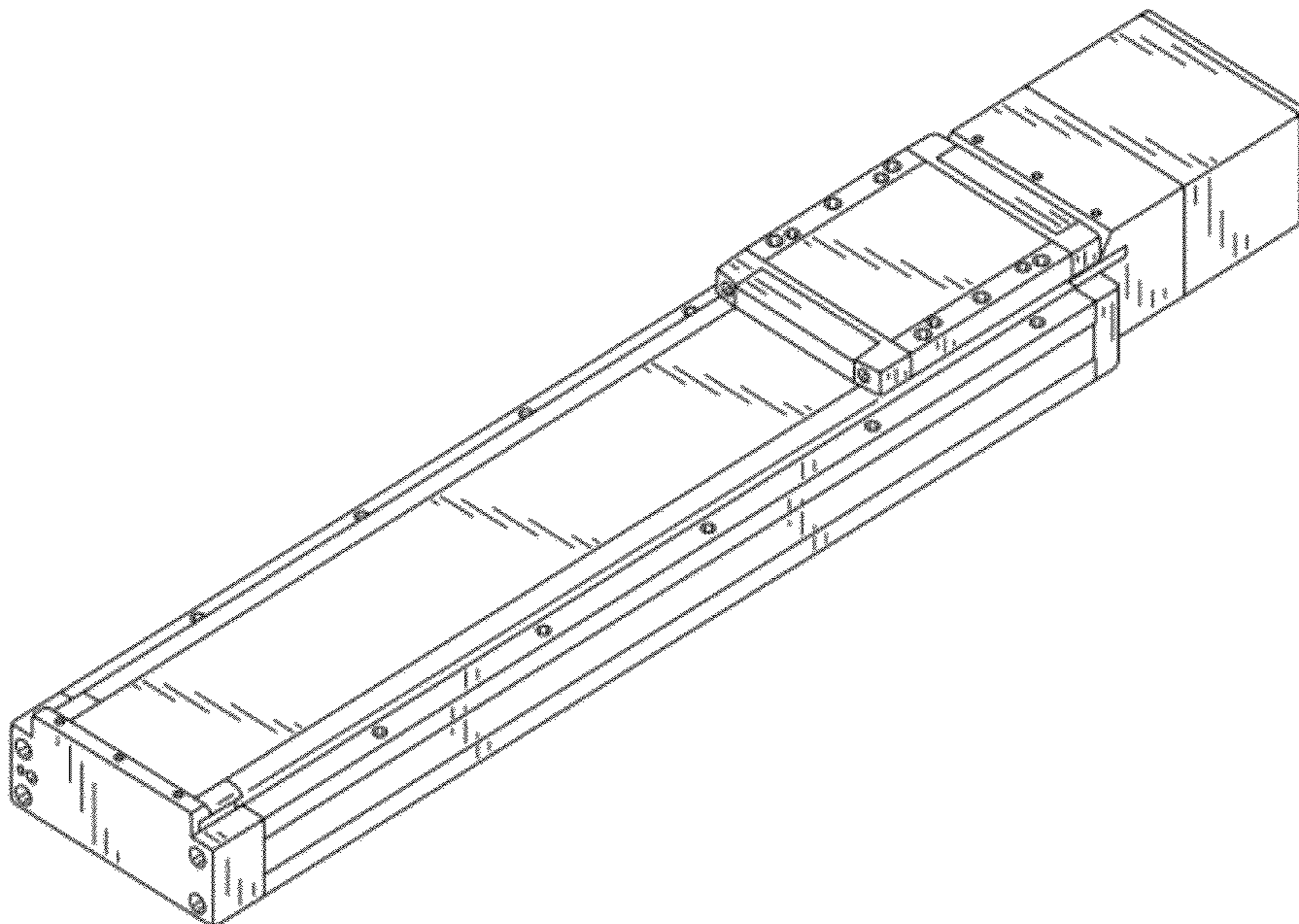


FIG. 1

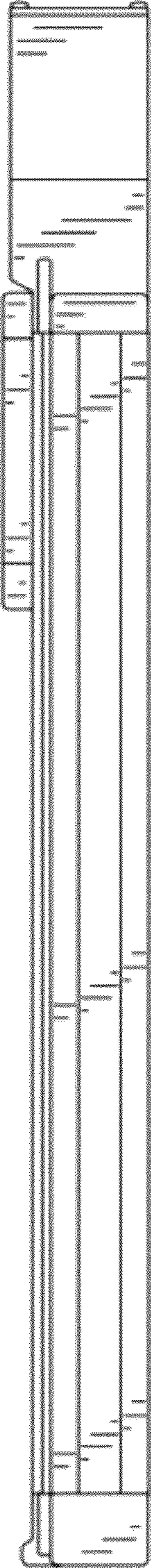


FIG. 2

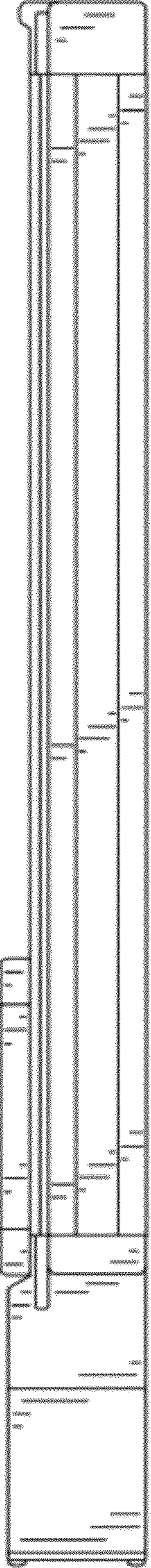


FIG. 3



FIG. 4



FIG. 5

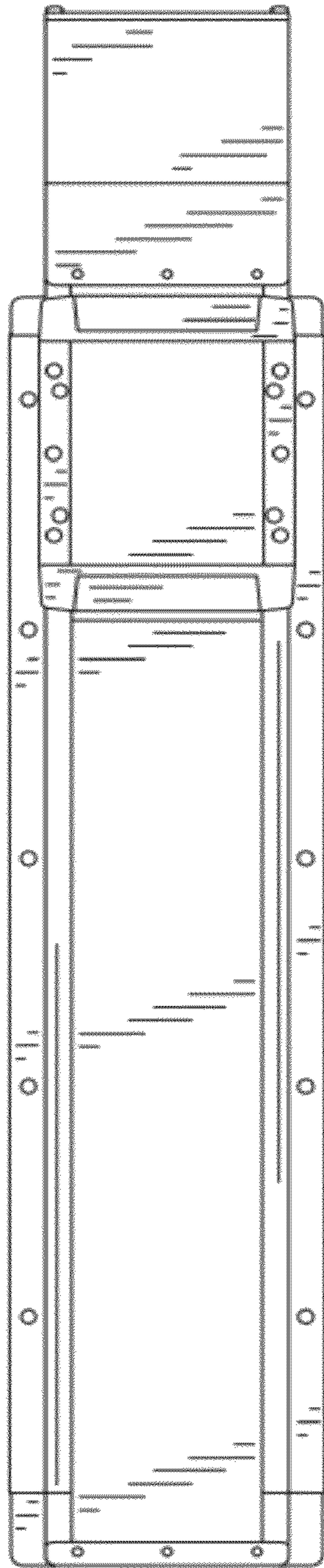


FIG. 6

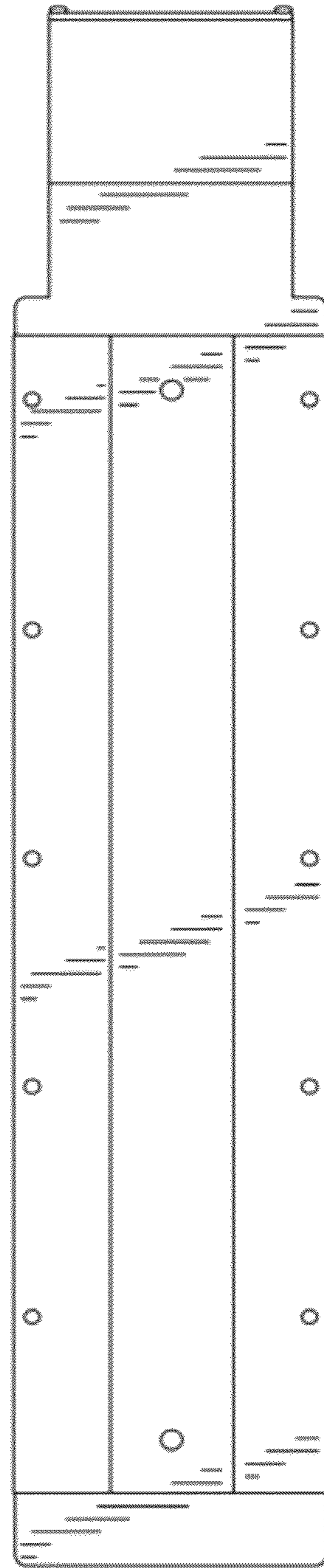


FIG. 7

