



US00D656167S

(12) **United States Design Patent**
Dunnahoe

(10) **Patent No.:** **US D656,167 S**

(45) **Date of Patent:** **** Mar. 20, 2012**

(54) **MILL**

(76) **Inventor:** **Duane C. Dunnahoe**, New Iberia, LA
(US)

(**) **Term:** **14 Years**

(21) **Appl. No.:** **29/374,401**

(22) **Filed:** **Aug. 8, 2011**

(51) **LOC (9) Cl.** **15-09**

(52) **U.S. Cl.** **D15/139; D15/131**

(58) **Field of Classification Search** **D8/70;**
D15/131, 132, 138, 139; 407/25, 30, 34-39,
407/43, 48, 53, 55, 56, 61, 97-100, 113,
407/114; 408/56, 59, 204, 206, 207, 240
See application file for complete search history.

(56) **References Cited**

U.S. PATENT DOCUMENTS

4,050,840	A *	9/1977	Skingle	408/144
4,076,445	A *	2/1978	Kress et al.	408/226
5,071,292	A *	12/1991	Satran	407/116
D382,887	S *	8/1997	Hollar et al.	D15/139
D400,547	S *	11/1998	Albrektsson et al.	D15/139
D454,143	S *	3/2002	Åsberg	D15/139
D508,061	S *	8/2005	Kotala	D15/138
6,942,433	B2 *	9/2005	Schleinkofer et al.	407/42

D525,634	S *	7/2006	Kotala	D15/138
D526,669	S *	8/2006	McCoppin	D15/139
D541,320	S *	4/2007	Sjoo et al.	D15/139
D570,886	S *	6/2008	Chiang	D15/139
D620,034	S *	7/2010	Sjoo	D15/139

* cited by examiner

Primary Examiner — Patricia Palasik

(74) *Attorney, Agent, or Firm* — Ted M. Anthony

(57) **CLAIM**

The ornamental design for a mill, as shown and described.

DESCRIPTION

FIG. 1 is a bottom perspective view of a mill of the present invention.

FIG. 2 is an overhead perspective view of a mill depicted in FIG. 1.

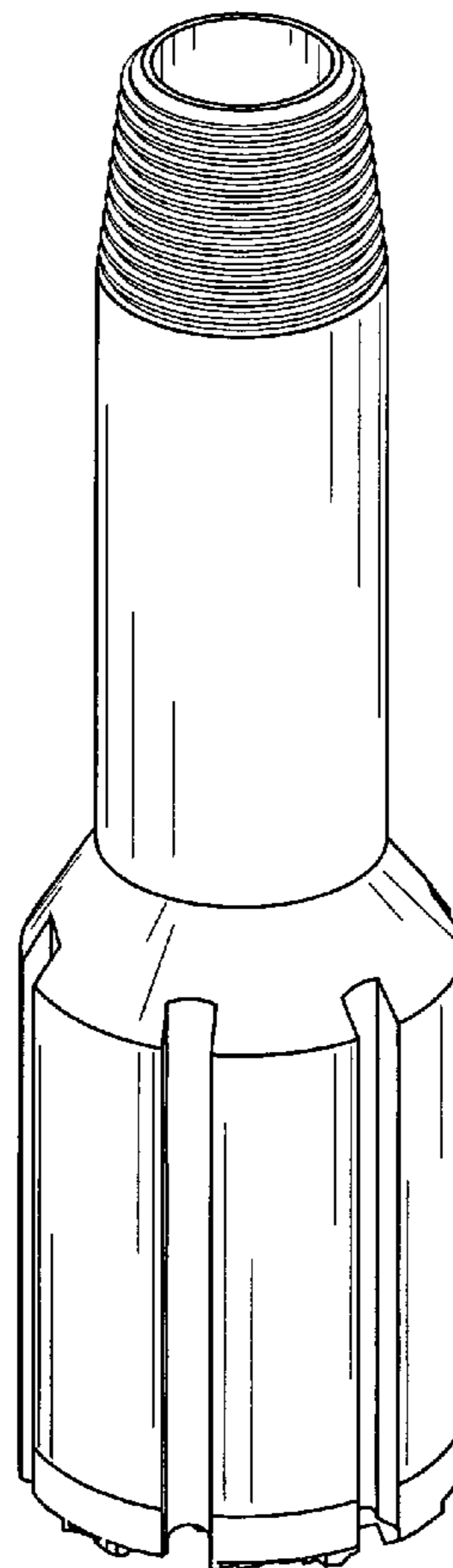
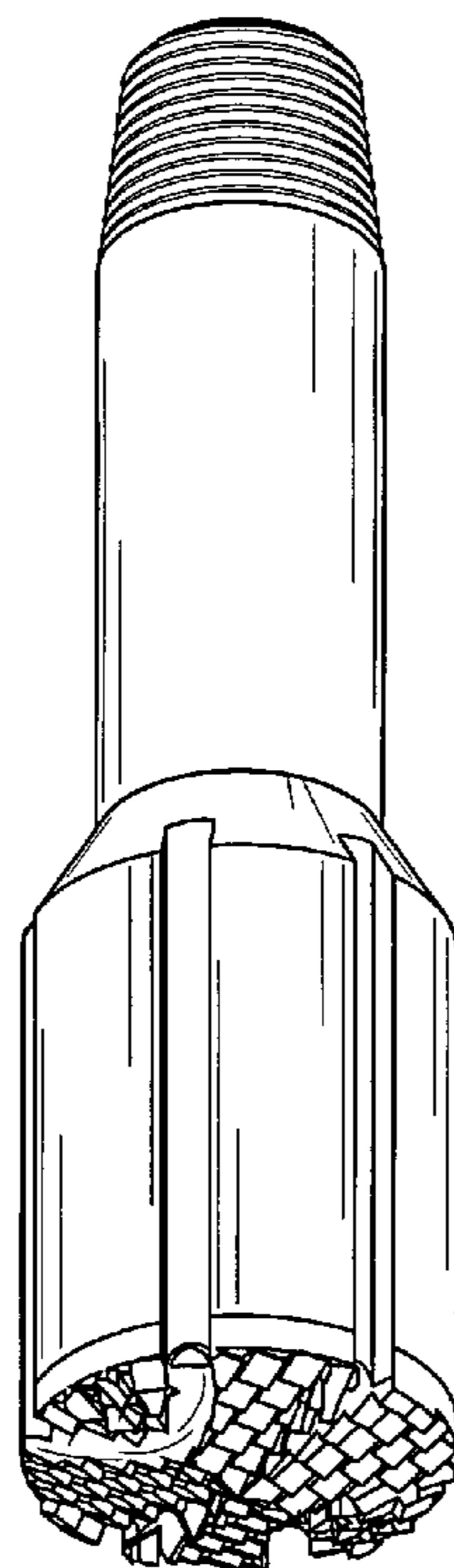
FIG. 3 is a side elevation view of a mill depicted in FIGS. 1 through 2.

FIG. 4 is a side elevation view of a mill depicted in FIGS. 1 through 3.

FIG. 5 is an overhead view of a mill depicted in FIGS. 1 through 4; and,

FIG. 6 is an overhead view of a mill depicted in FIGS. 1 through 5.

1 Claim, 3 Drawing Sheets



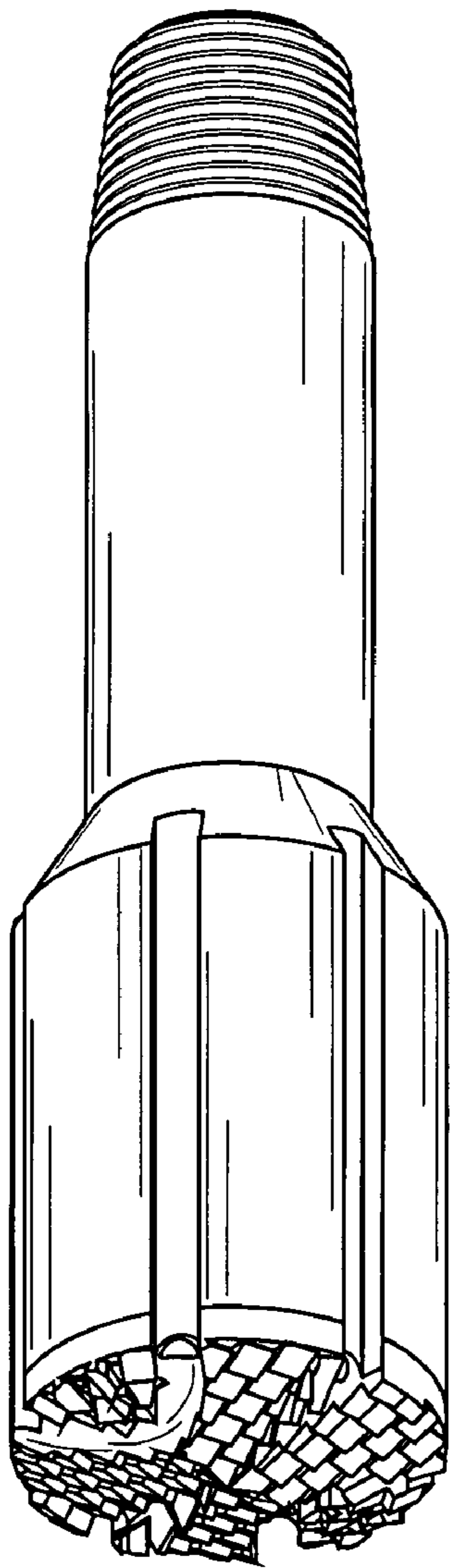


Fig. 1

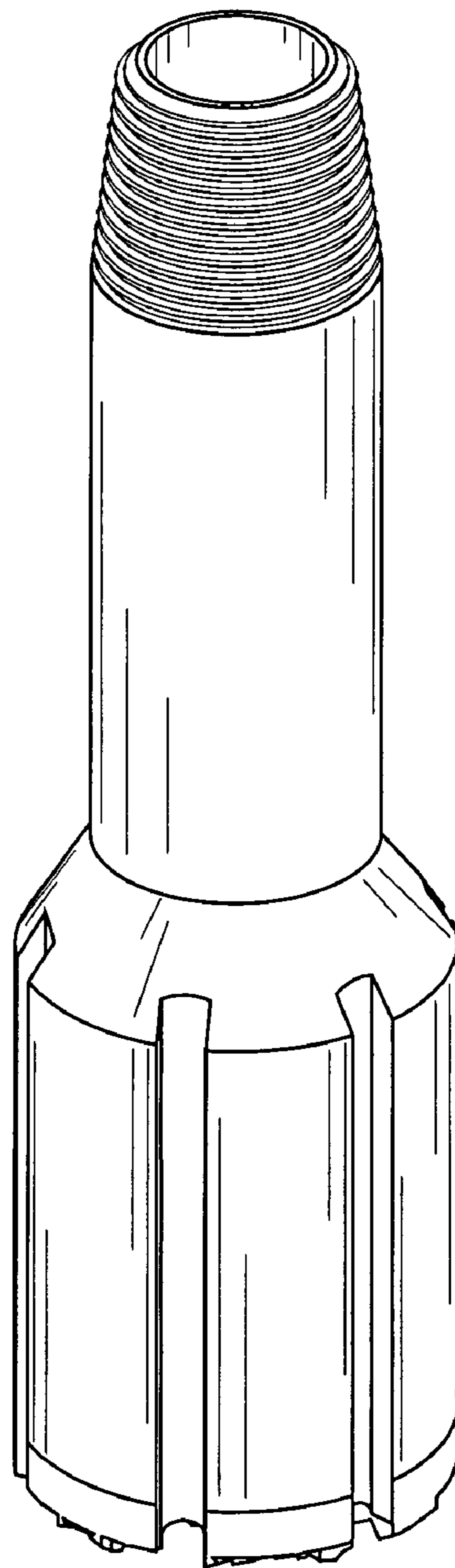


Fig. 2

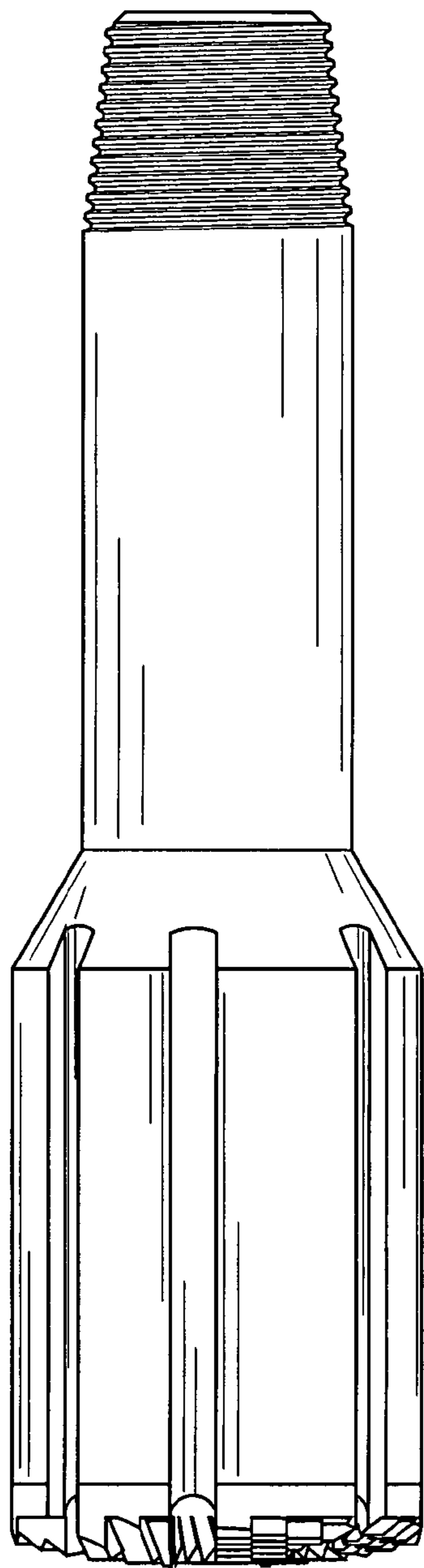


Fig. 3

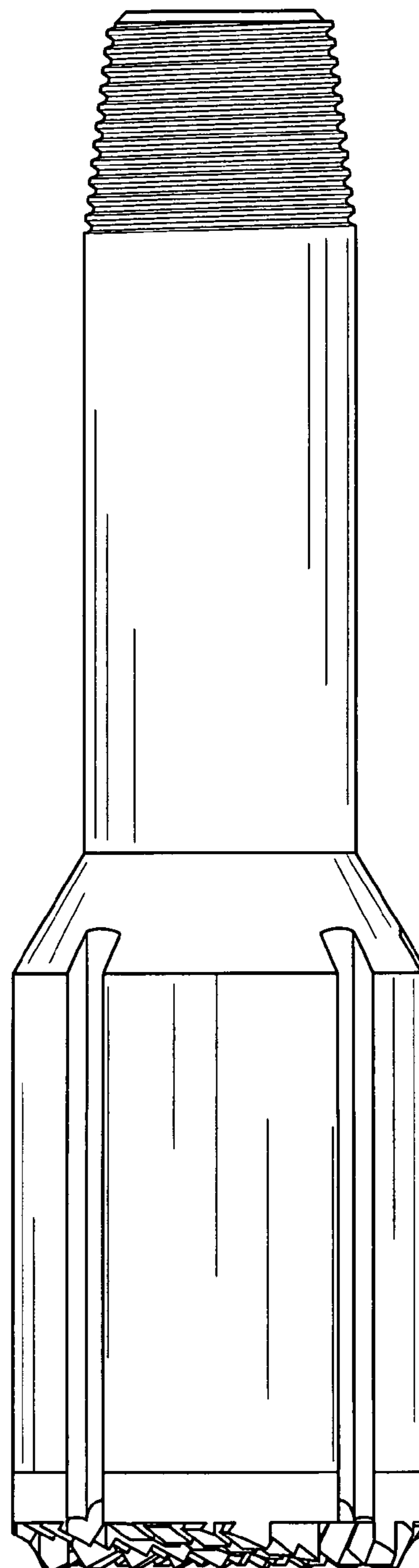


Fig. 4

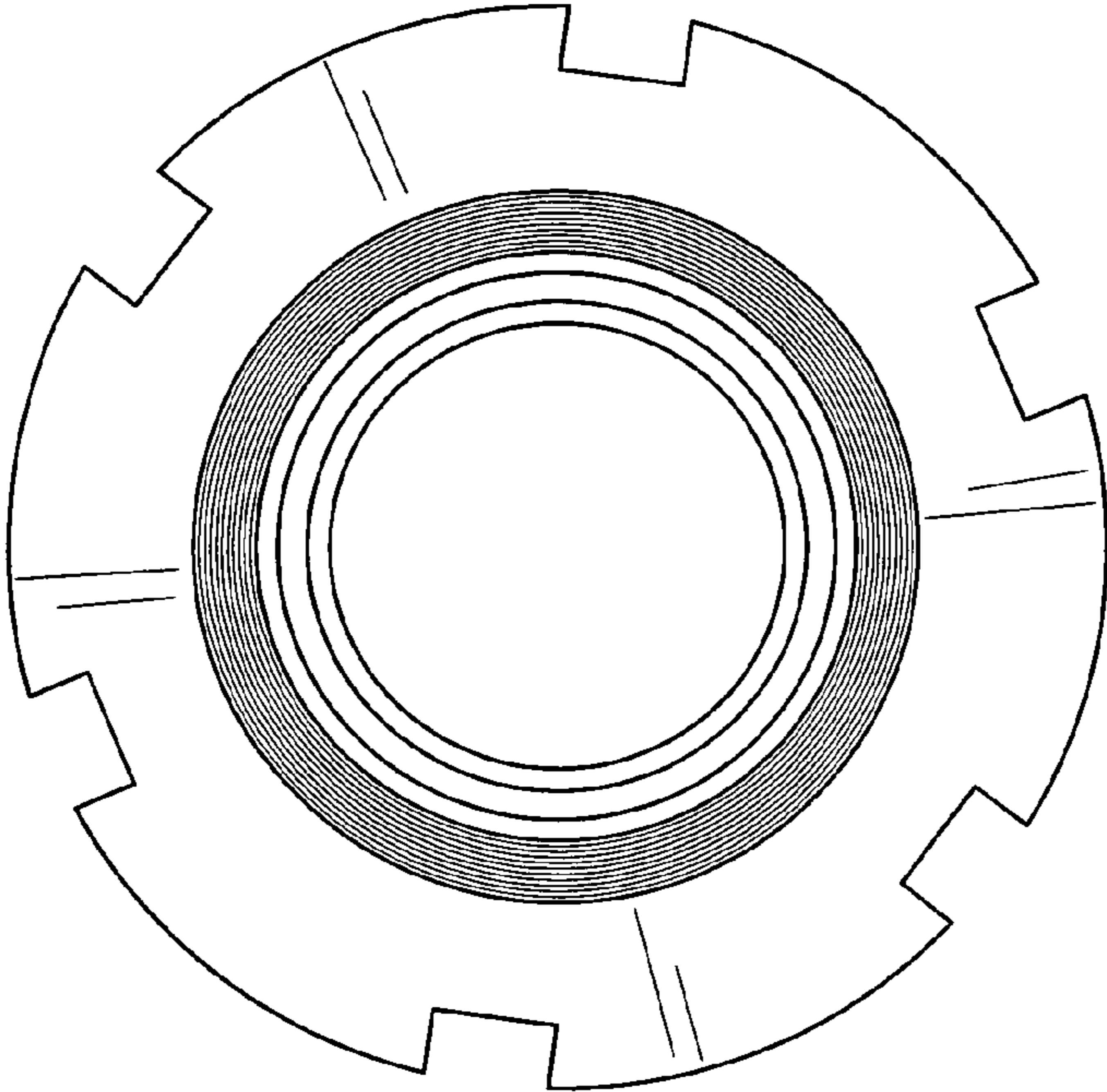


Fig. 5

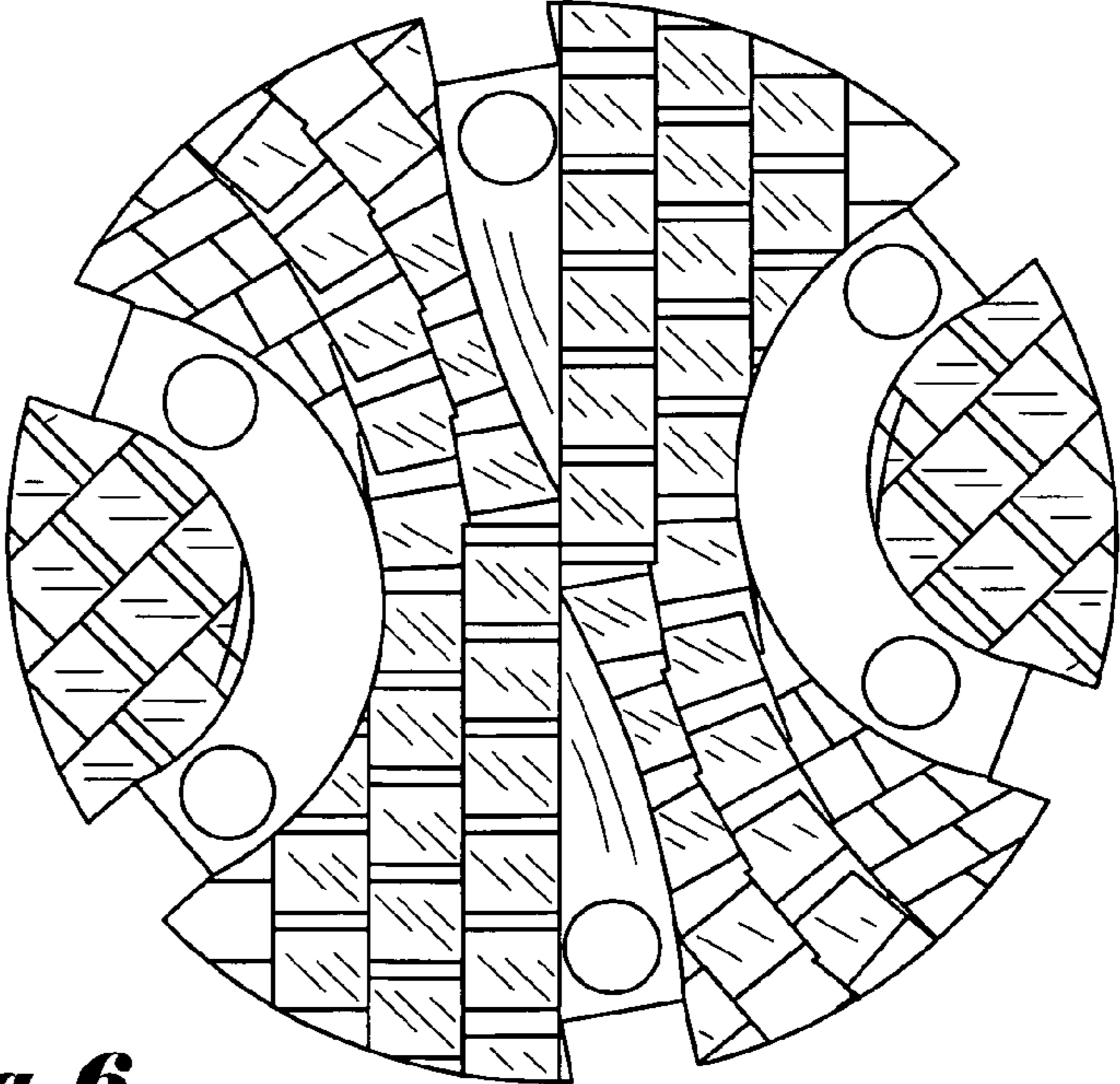


Fig. 6