



US00D656166S

(12) **United States Design Patent**
Michelet et al.

(10) **Patent No.:** **US D656,166 S**
(45) **Date of Patent:** **** Mar. 20, 2012**

(54) **CUTTING INSERT FOR METAL CHIP
REMOVAL**

(75) Inventors: **Benjamin Michelet**, Bourges (FR);
Bertrand Riviere, Bourges (FR);
Catherine Jublot, Saint Doulchard
(FR); **Francois Auzenat**, Bourges (FR)

(73) Assignee: **Seco Tools AB**, Fagersta (SE)

(**) Term: **14 Years**

(21) Appl. No.: **29/357,638**

(22) Filed: **Mar. 15, 2010**

Related U.S. Application Data

(60) Continuation of application No. 29/329,366, filed on
Dec. 13, 2008, now abandoned, and a division of
application No. 29/340,731, filed on Jul. 24, 2009, now
Pat. No. Des. 635,163.

(30) **Foreign Application Priority Data**

Jun. 26, 2008 (EM) 000958558

(51) **LOC (9) Cl.** **15-09**

(52) **U.S. Cl.** **D15/139**

(58) **Field of Classification Search** D15/138,
D15/139, 140; 407/35, 42, 112-119
See application file for complete search history.

(56) **References Cited**

U.S. PATENT DOCUMENTS

D341,604 S * 11/1993 Hessman D15/139
7,220,083 B2 * 5/2007 Festeau et al. 407/113

7,232,279 B2 * 6/2007 Smilovici et al. 407/113
2005/0084342 A1 * 4/2005 Festeau et al. 407/113
2006/0039763 A1 * 2/2006 Lof et al. 407/114
2006/0216122 A1 * 9/2006 Engstrom et al. 407/114
2007/0189864 A1 * 8/2007 Festeau et al. 407/113
2009/0290946 A1 * 11/2009 Zastrozynski 407/114
2010/0034602 A1 * 2/2010 Sung et al. 407/113

* cited by examiner

Primary Examiner — Patricia Palasik

(74) *Attorney, Agent, or Firm* — WRB-IP LLP

(57) **CLAIM**

The ornamental design for a cutting insert for metal chip
removal, as shown and described.

DESCRIPTION

FIG. 1 is a top, front perspective view of a cutting insert for
metal chip removal showing a new design.

FIG. 2 is a top plan view thereof.

FIG. 3 is a left elevational view thereof.

FIG. 4 is a right elevational view thereof.

FIG. 5 is a front elevational view thereof.

FIG. 6 is a rear elevational view thereof; and,

FIG. 7 is a bottom plan view thereof.

FIG. 8 is a top, front perspective view of a second embodi-
ment of the cutting insert for metal chip removal shown in
FIGS. 1-7.

FIG. 9 is a top plan view thereof.

FIG. 10 is a left elevational view thereof.

FIG. 11 is a right elevational view thereof.

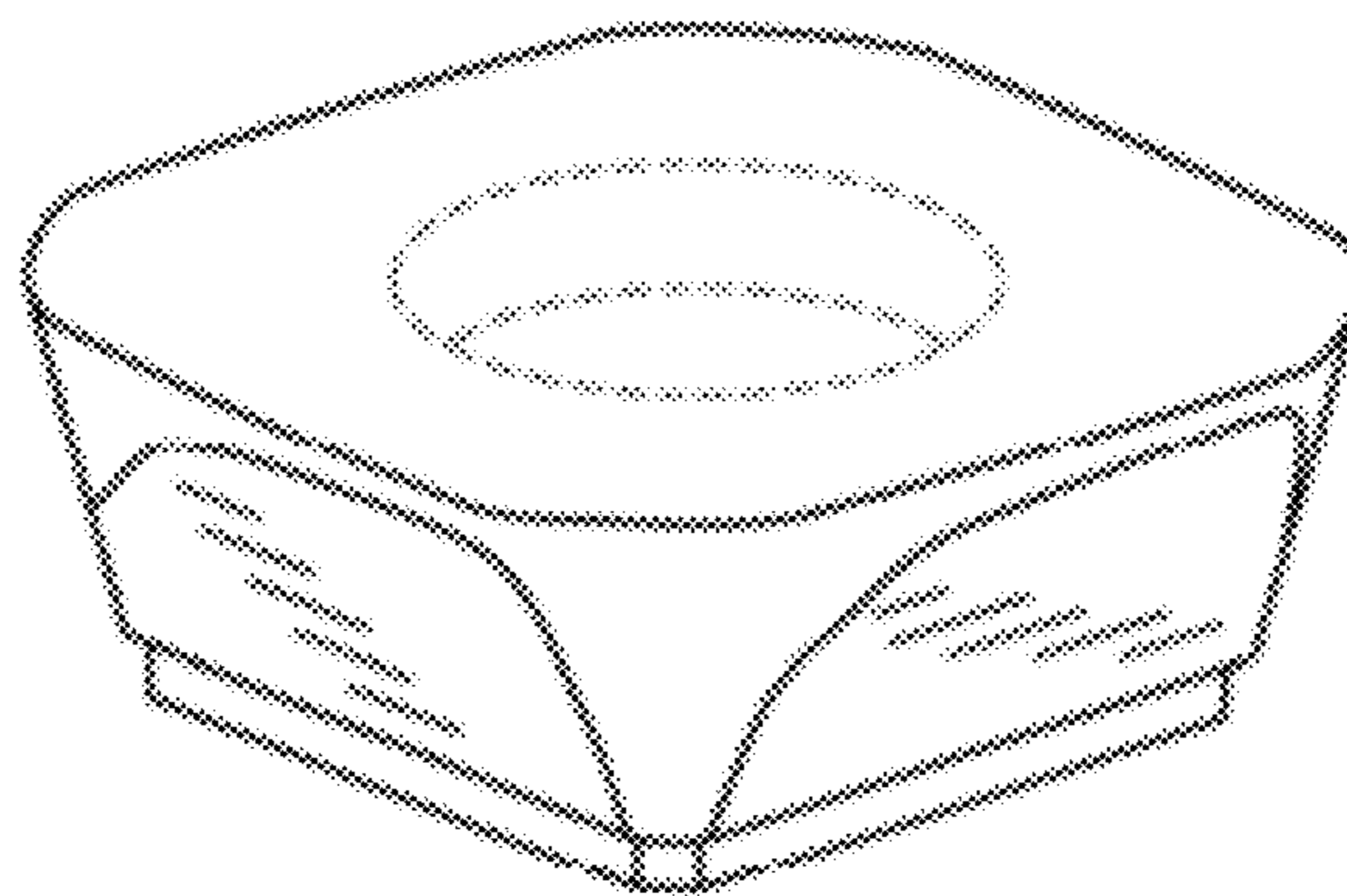
FIG. 12 is a front elevational view thereof.

FIG. 13 is a rear elevational view thereof; and,

FIG. 14 is a bottom plan view thereof.

The broken lines in the drawings depict unclaimed environ-
mental subject matter.

1 Claim, 4 Drawing Sheets



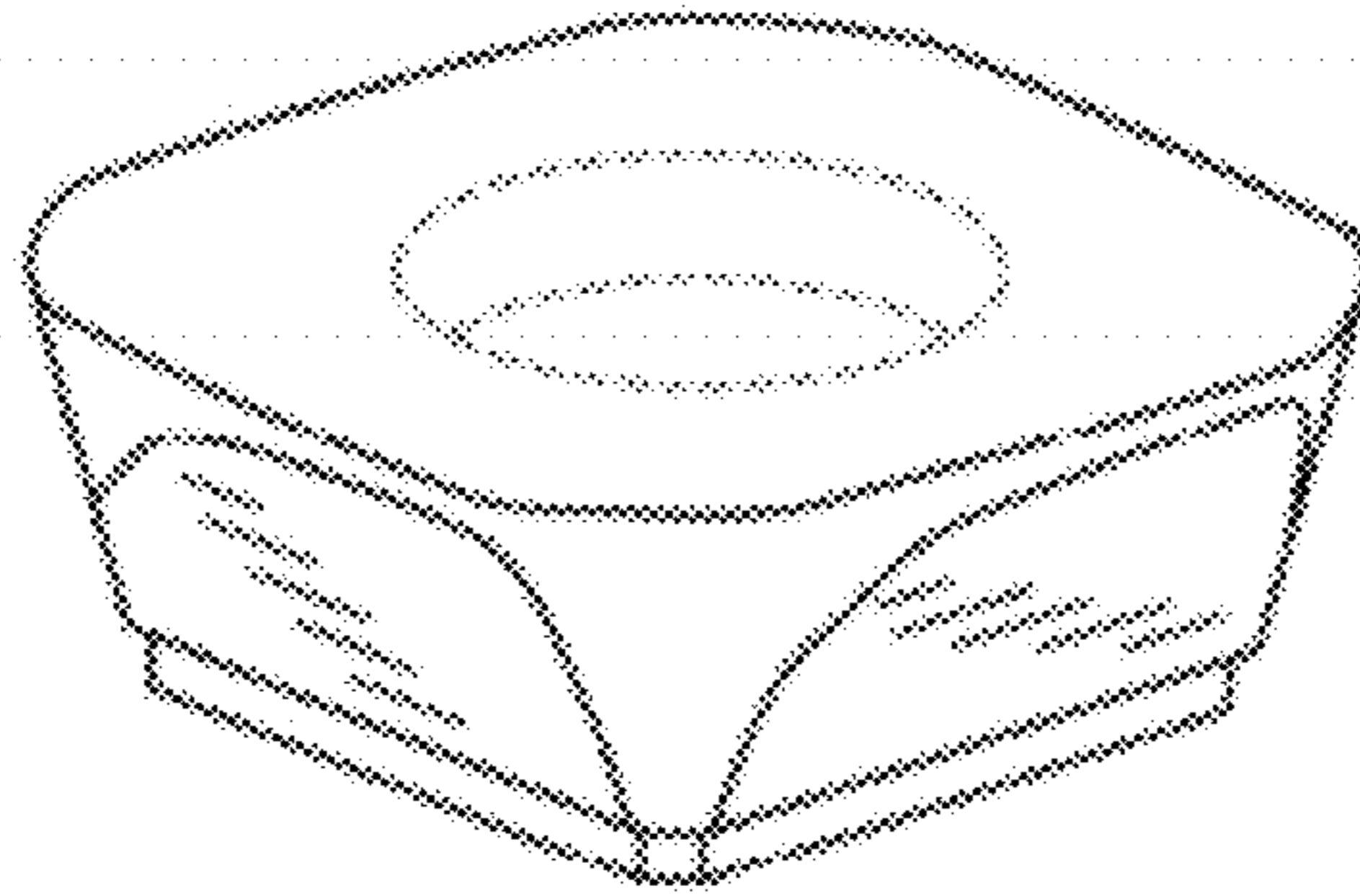


FIG. 1

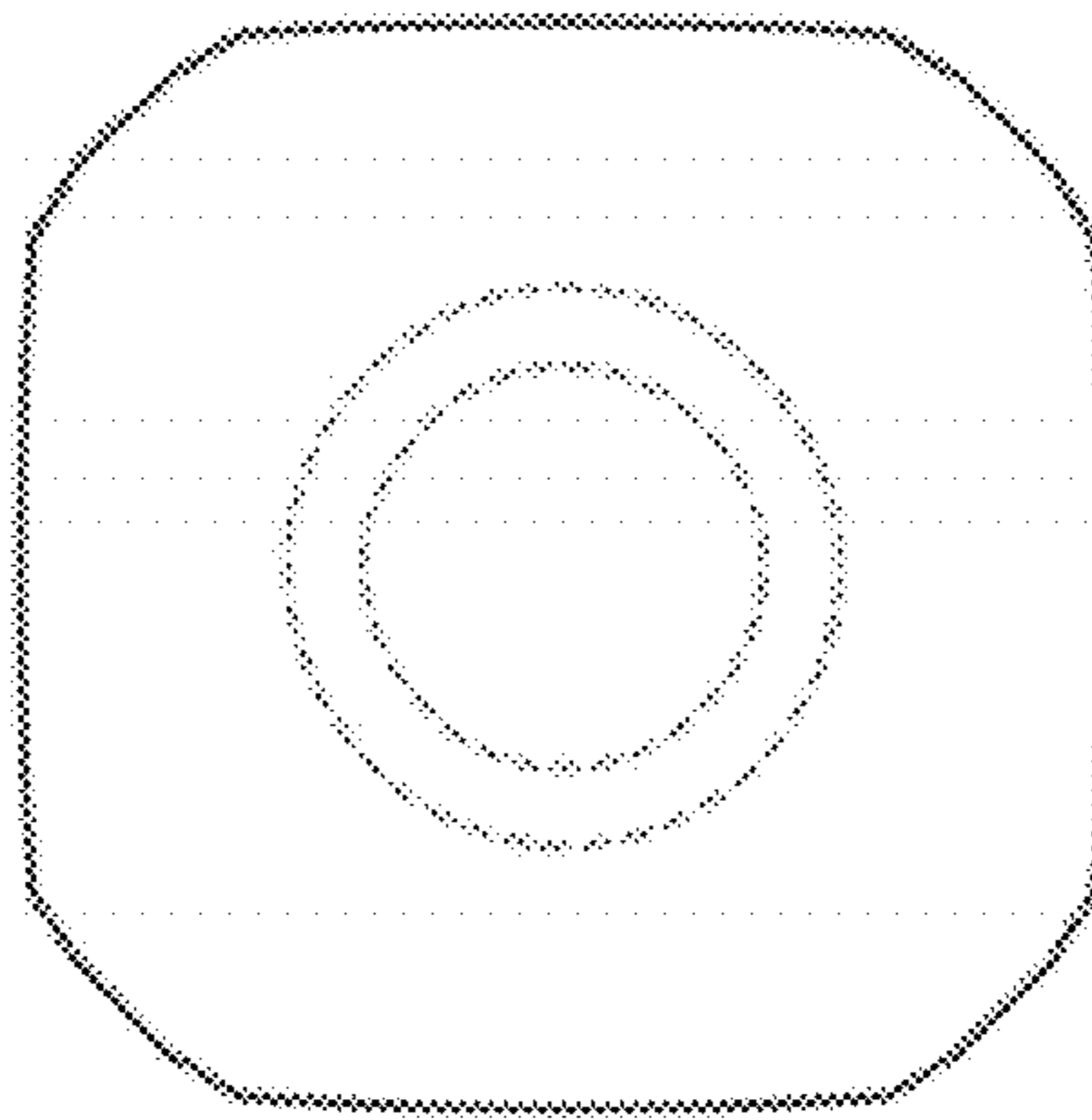


FIG. 2

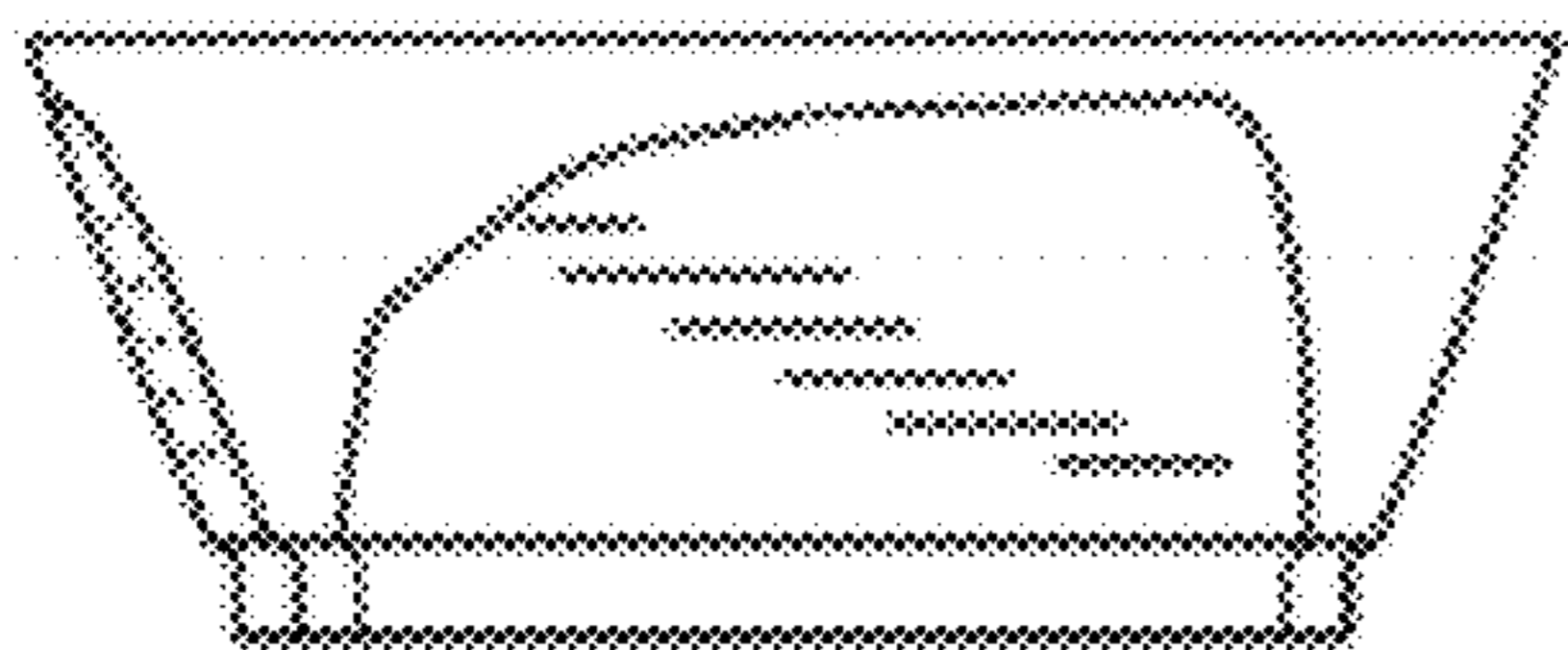


FIG. 3

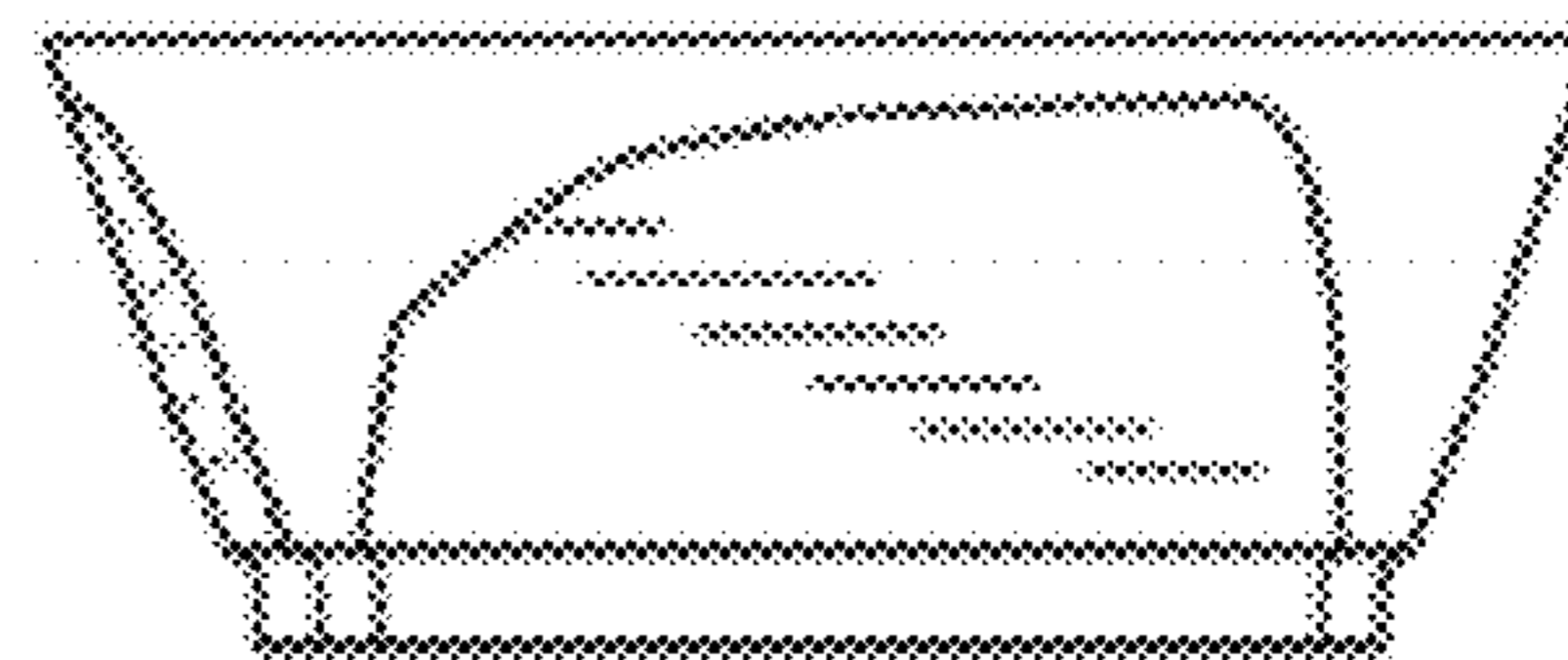


FIG. 4

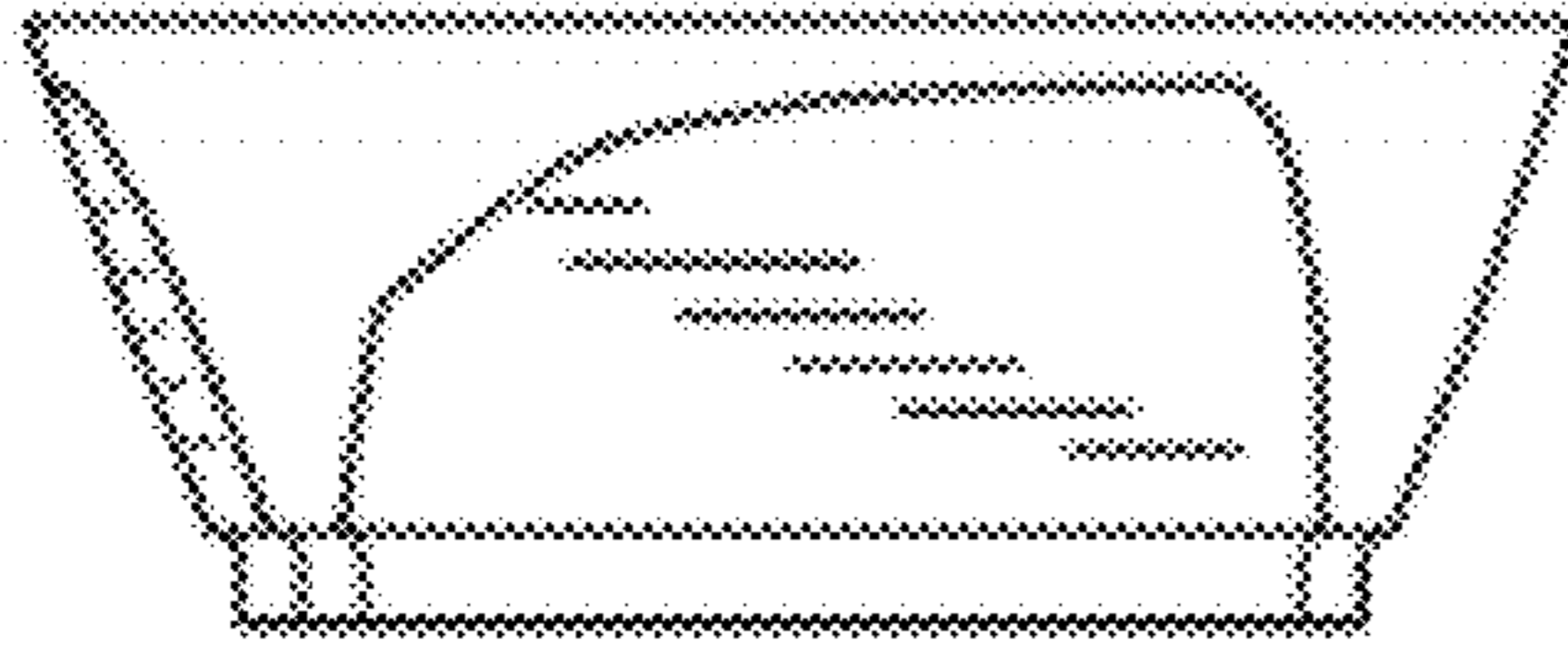


FIG. 5

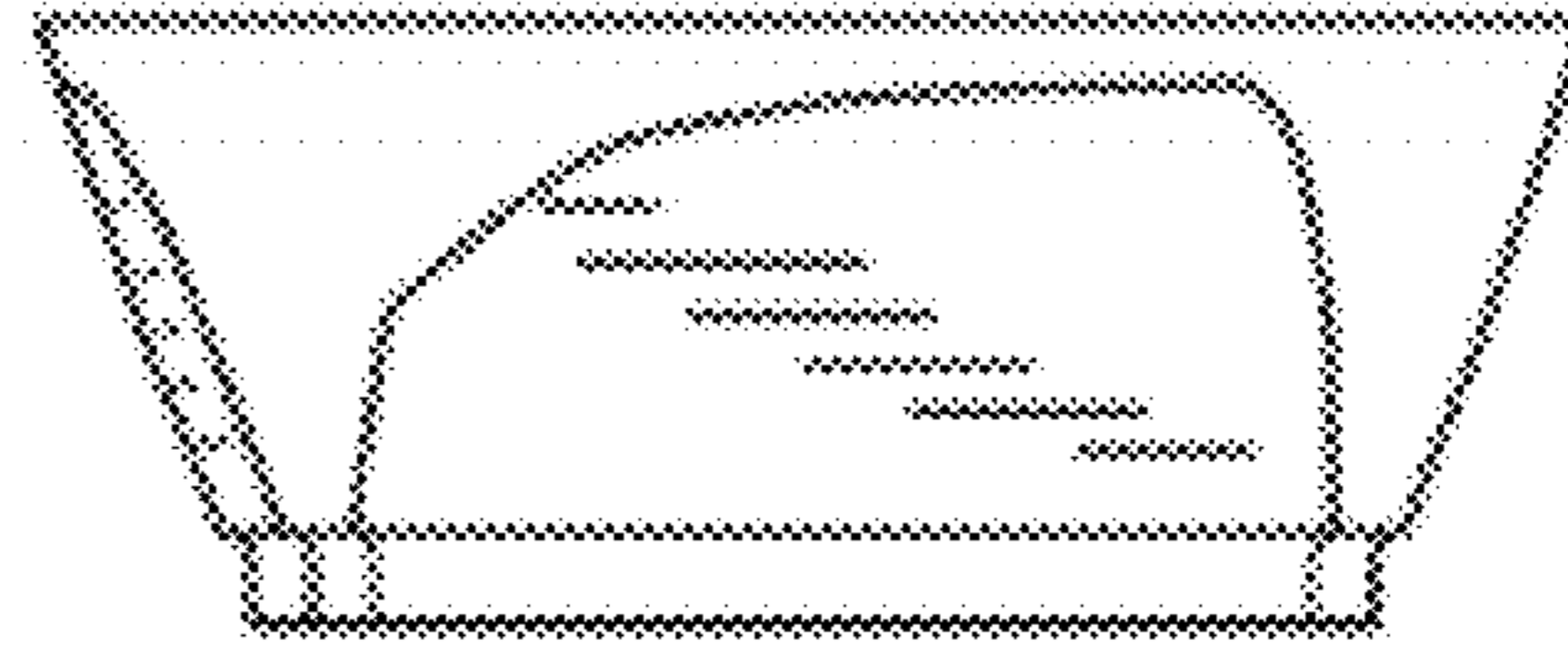


FIG. 6

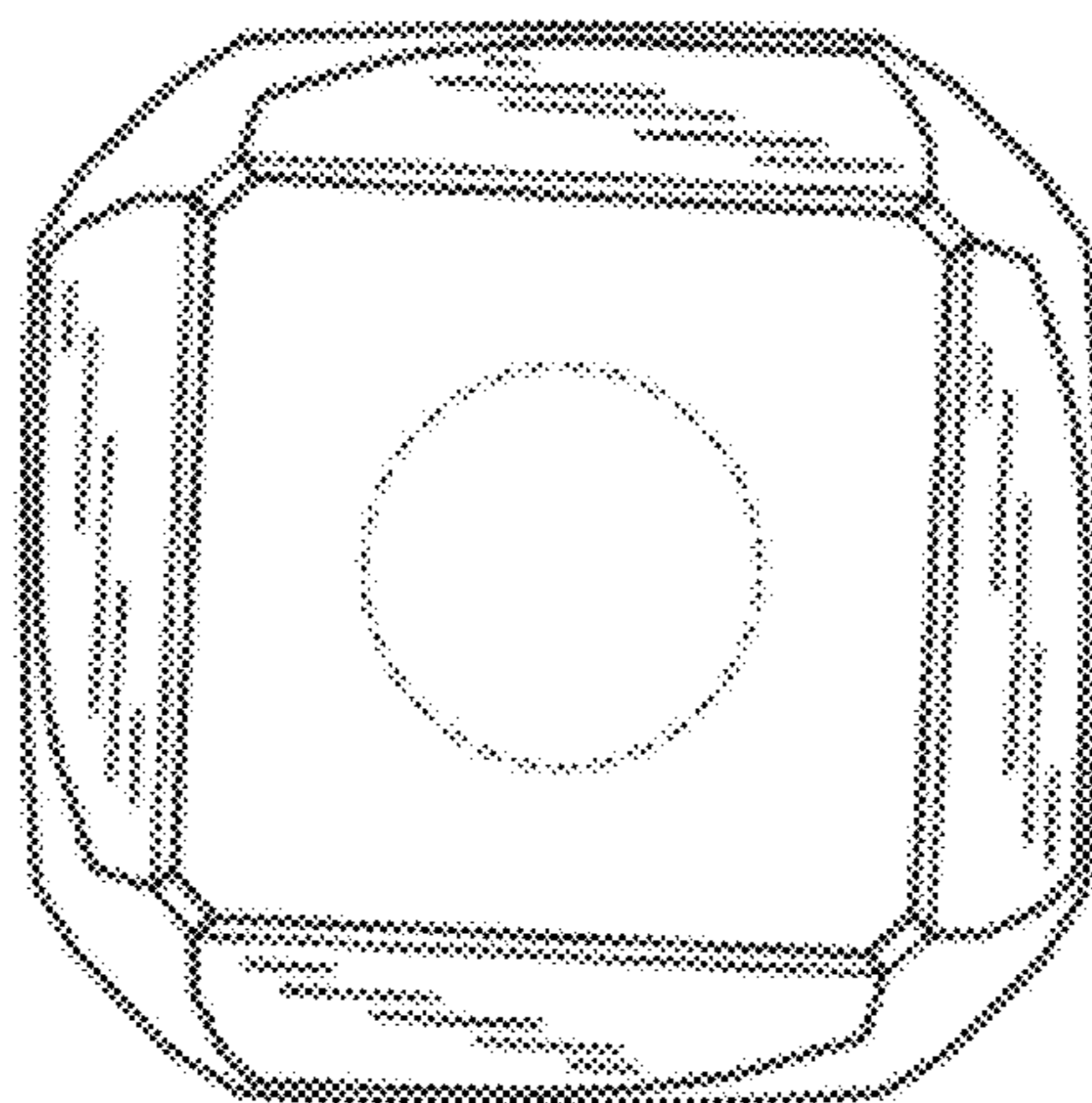


FIG. 7

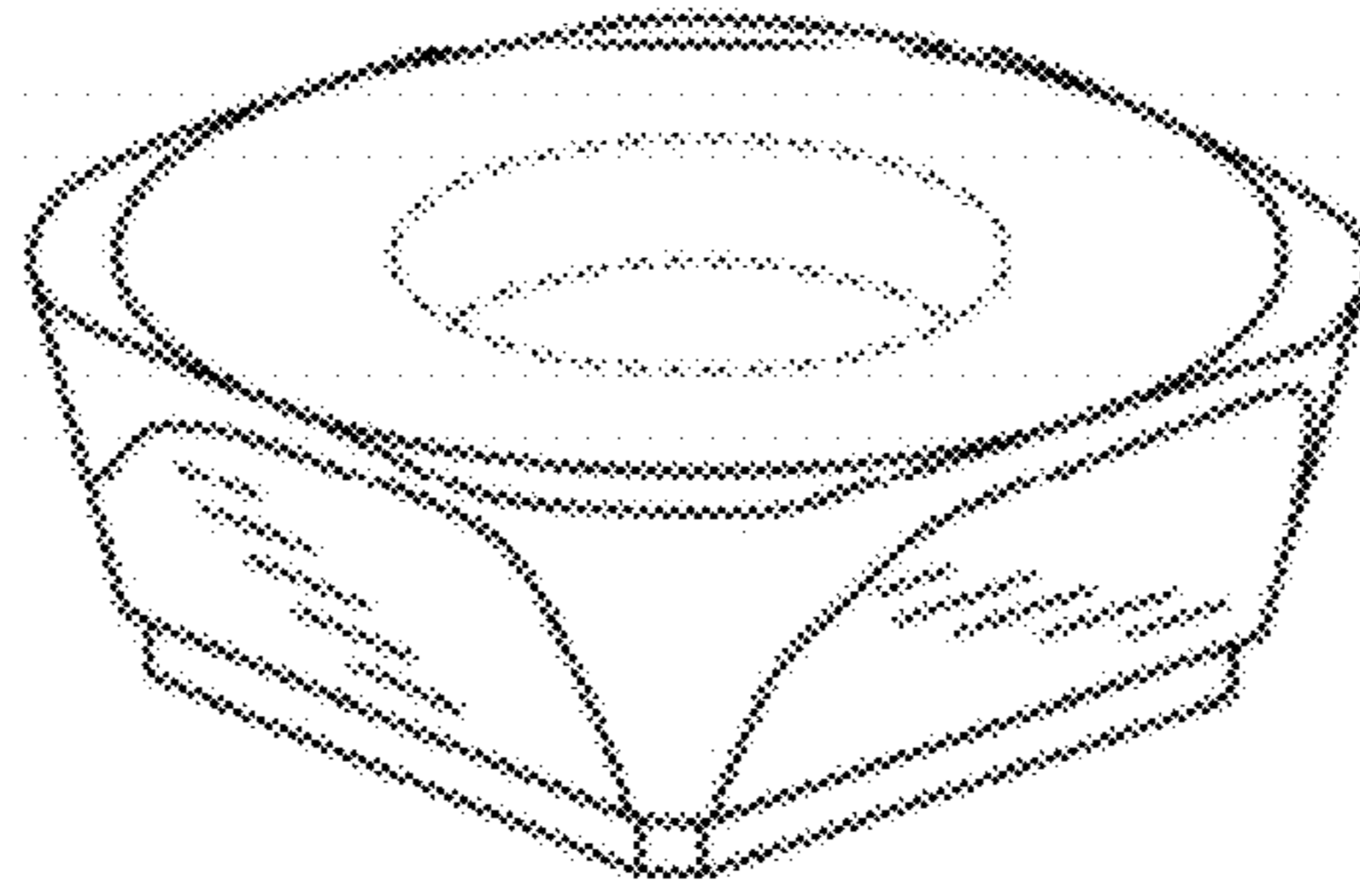


FIG. 8

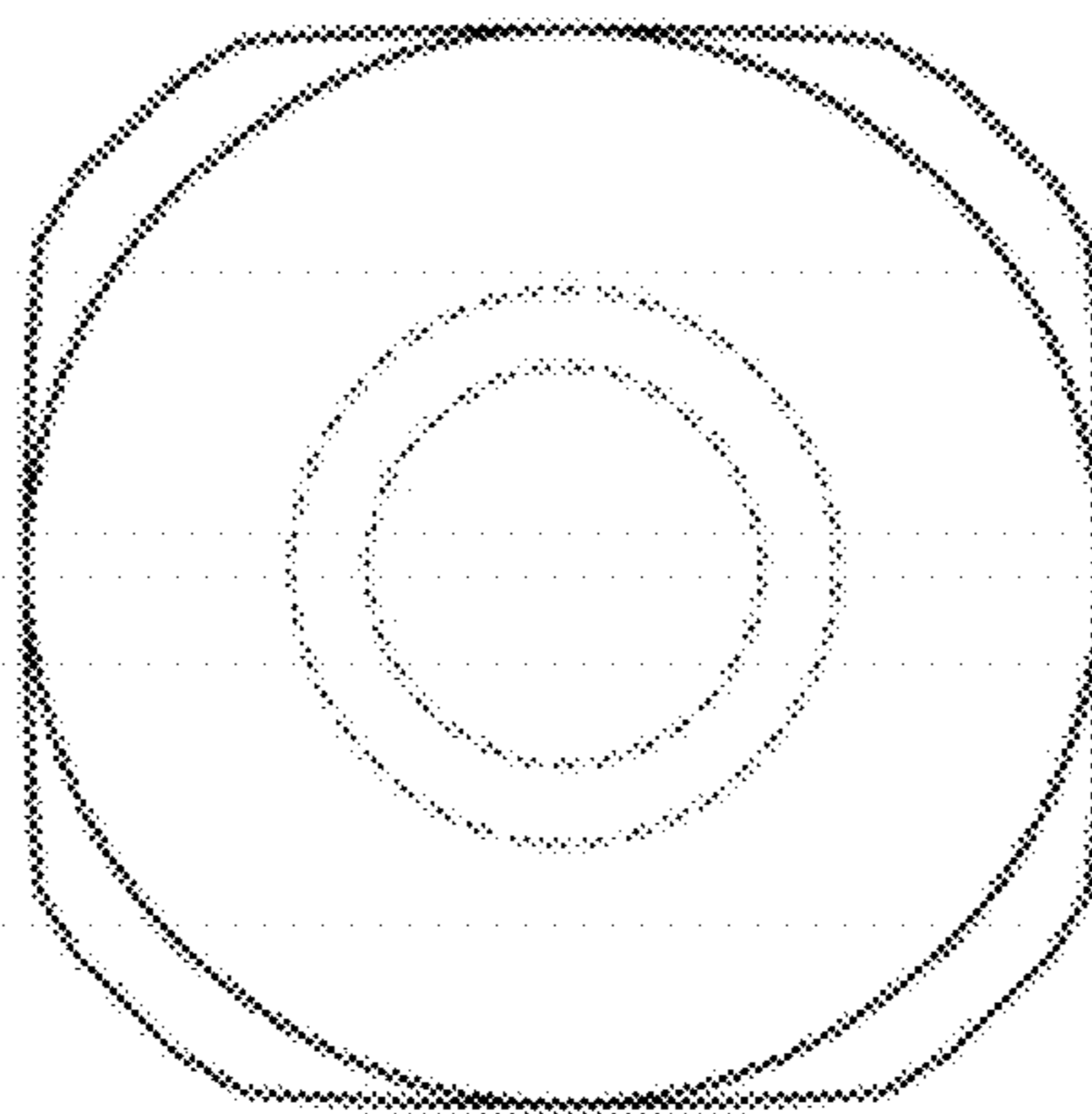


FIG. 9

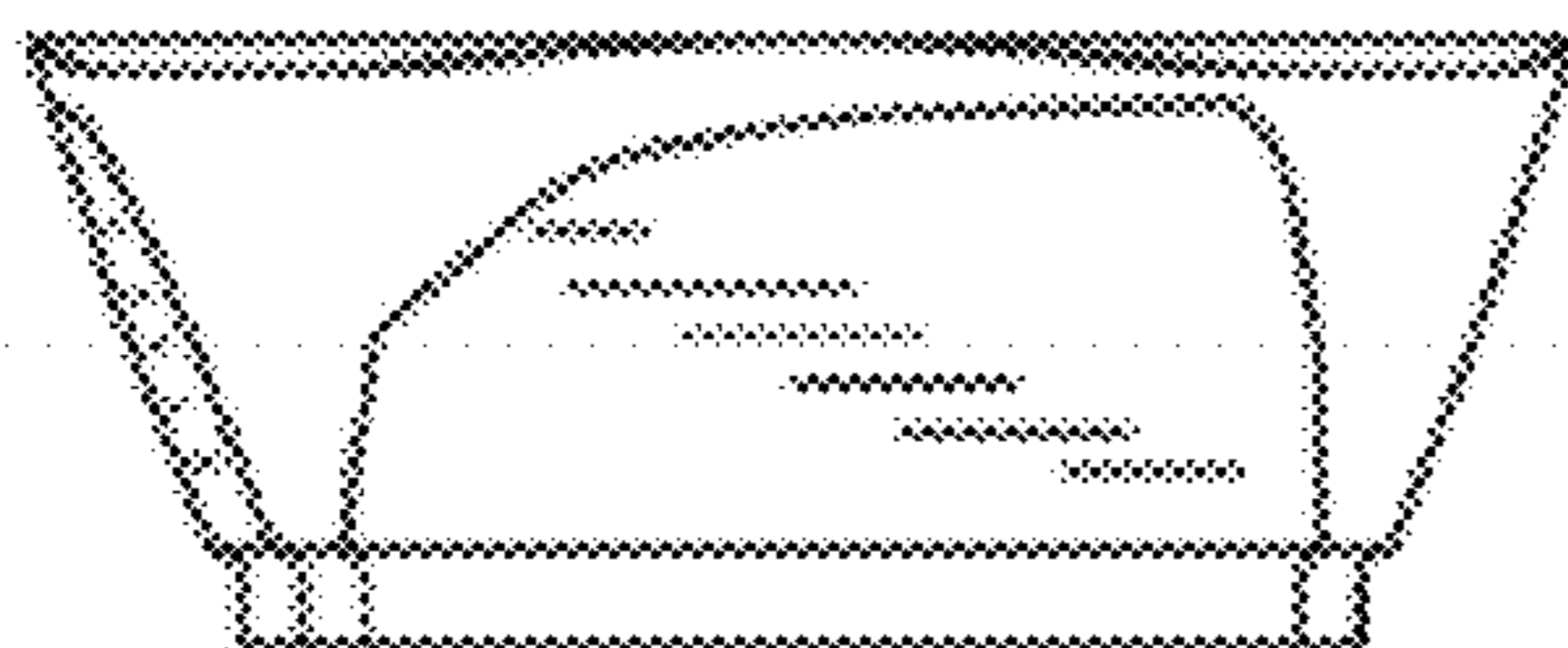


FIG. 10

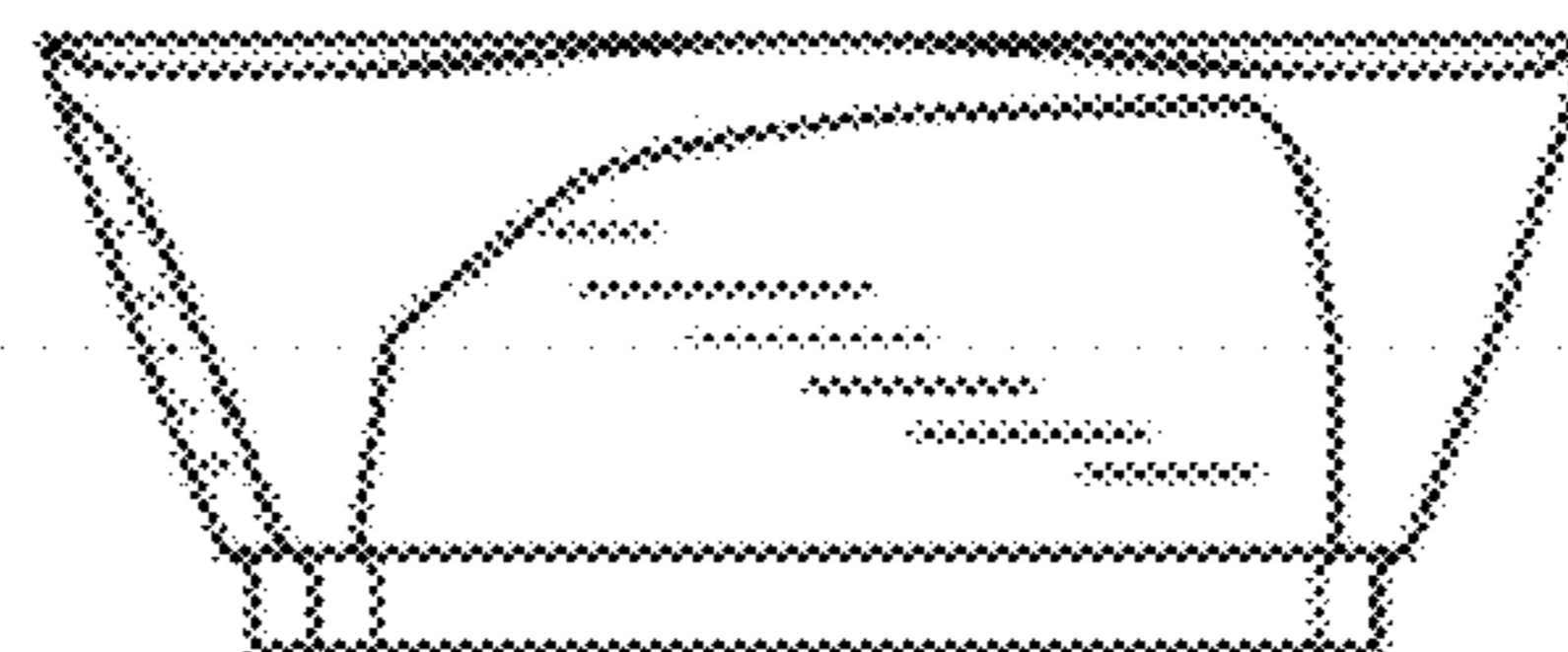


FIG. 11

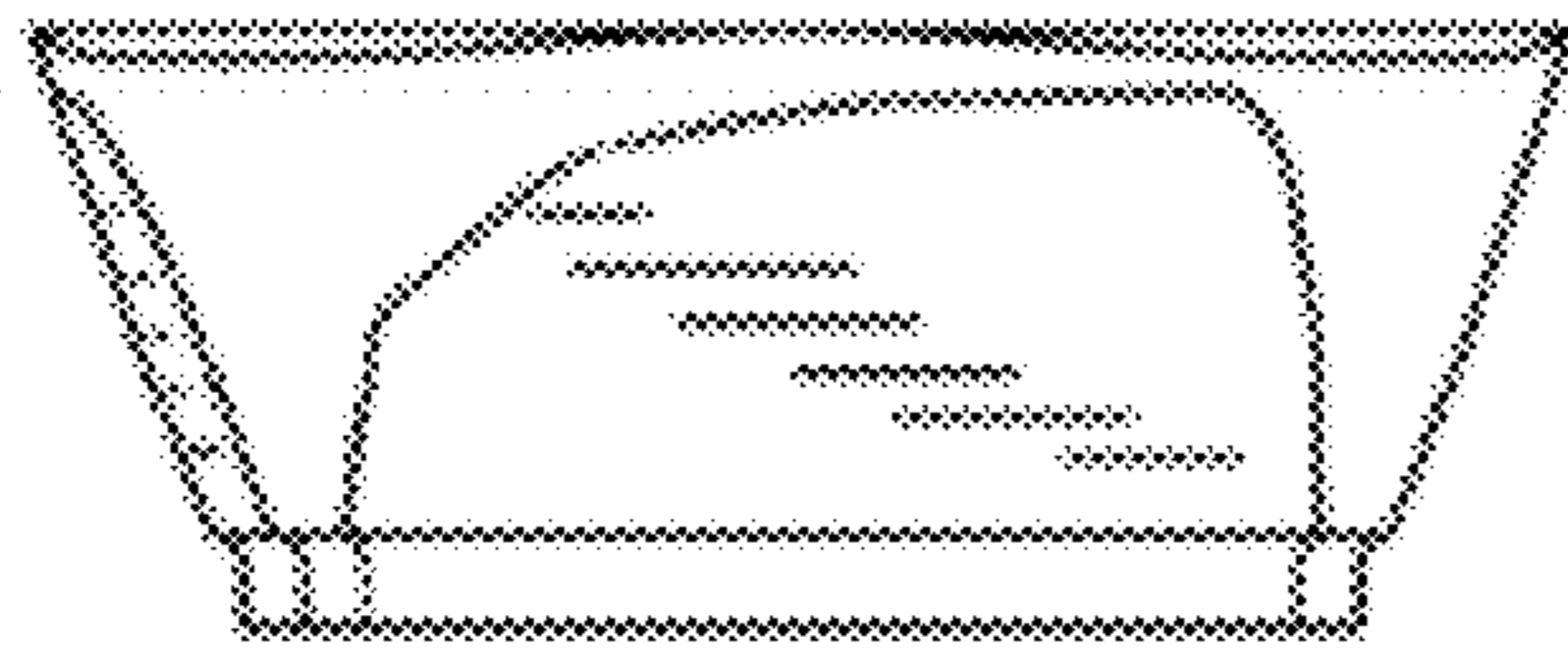


FIG. 12

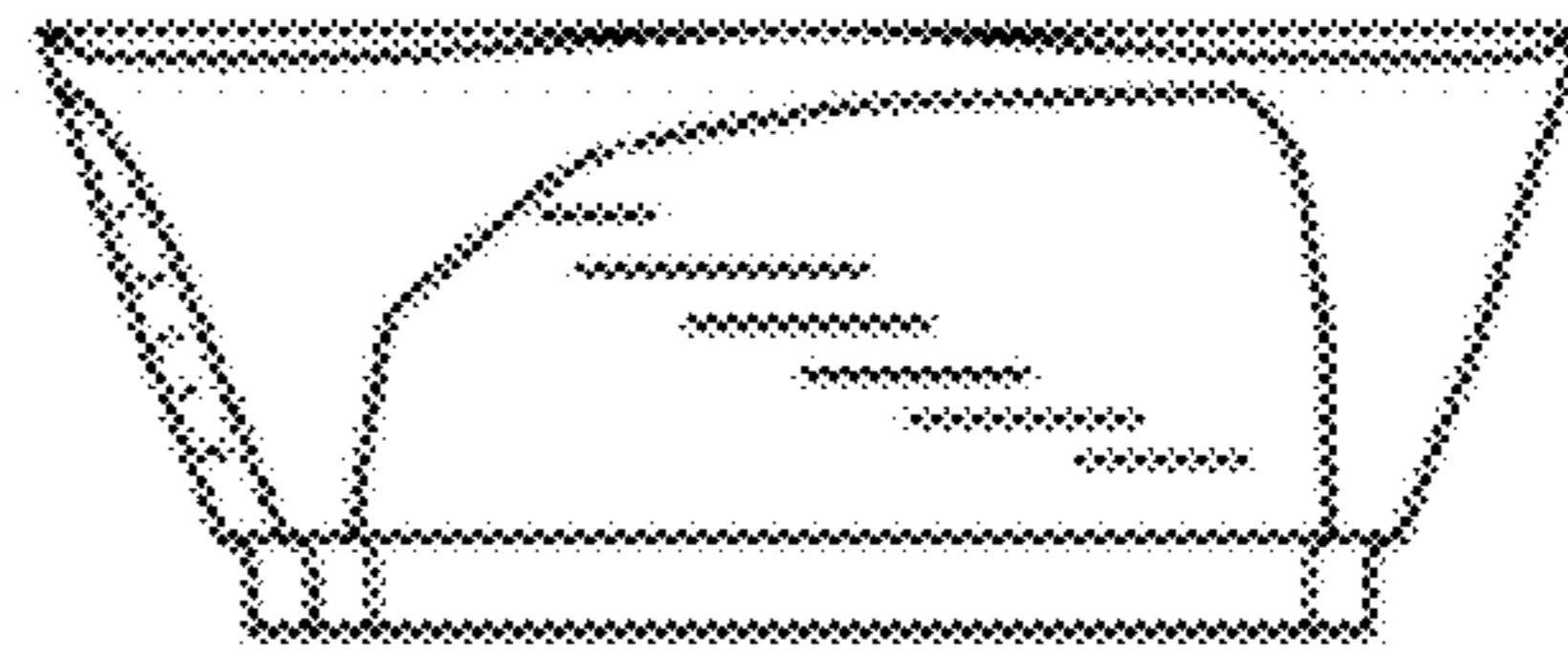


FIG. 13

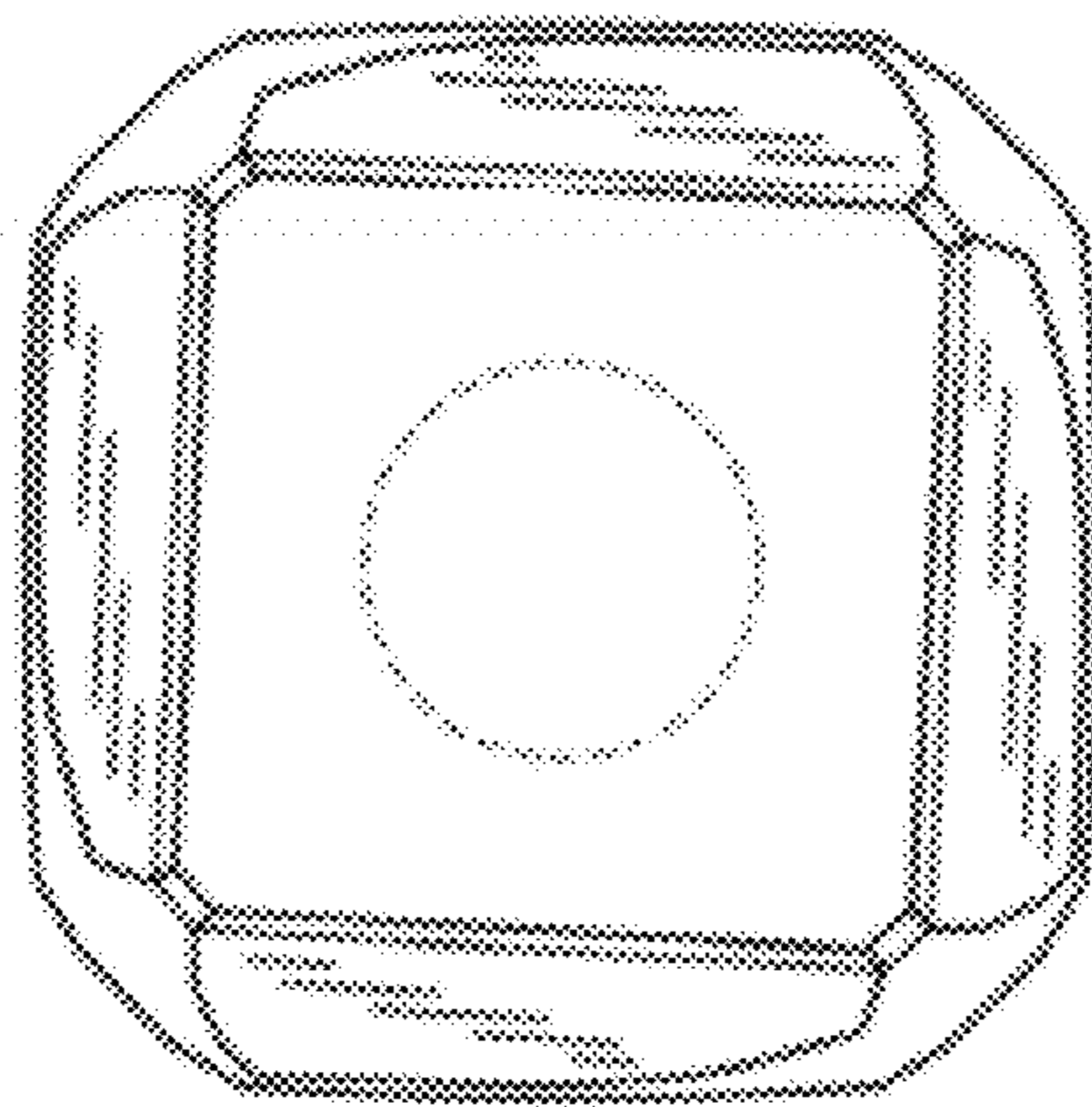


FIG. 14